



US00D571398S

(12) **United States Design Patent**
Horiuchi et al.

(10) **Patent No.:** **US D571,398 S**
(45) **Date of Patent:** **** Jun. 17, 2008**

(54) **PAPER CARTRIDGE FOR PRINTER**

(75) Inventors: **Takashi Horiuchi**, Kariya (JP);
Yasunori Nakamura, Shinshiro (JP);
Yoshikatsu Suito, Nagoya (JP)

(73) Assignee: **Brother Industries, Ltd.**, Nagoya (JP)

(**) Term: **14 Years**

(21) Appl. No.: **29/274,948**

(22) Filed: **Jun. 12, 2007**

(51) **LOC (8) Cl.** **18-02**

(52) **U.S. Cl.** **D18/56**

(58) **Field of Classification Search** D18/40,
D18/43, 44, 56; 347/86-87; 206/449
See application file for complete search history.

(56) **References Cited**

U.S. PATENT DOCUMENTS

1,695,432	A *	12/1928	Lovejoy	206/449
3,188,542	A *	6/1965	Dietrich	318/681
4,185,745	A *	1/1980	Moser et al.	206/556
D258,066	S *	1/1981	DeGregorio	D18/44
5,630,546	A *	5/1997	Velch	206/449

(Continued)

Primary Examiner—Cathy Anne MacCormac

(74) *Attorney, Agent, or Firm*—Oliff & Berridge, PLC

(57) **CLAIM**

The ornamental design for a paper cartridge for printer, as shown and described.

DESCRIPTION

FIG. 1 is a reduced top perspective view of a paper cartridge for a printer with a lid in the closed position against the top of the cartridge;

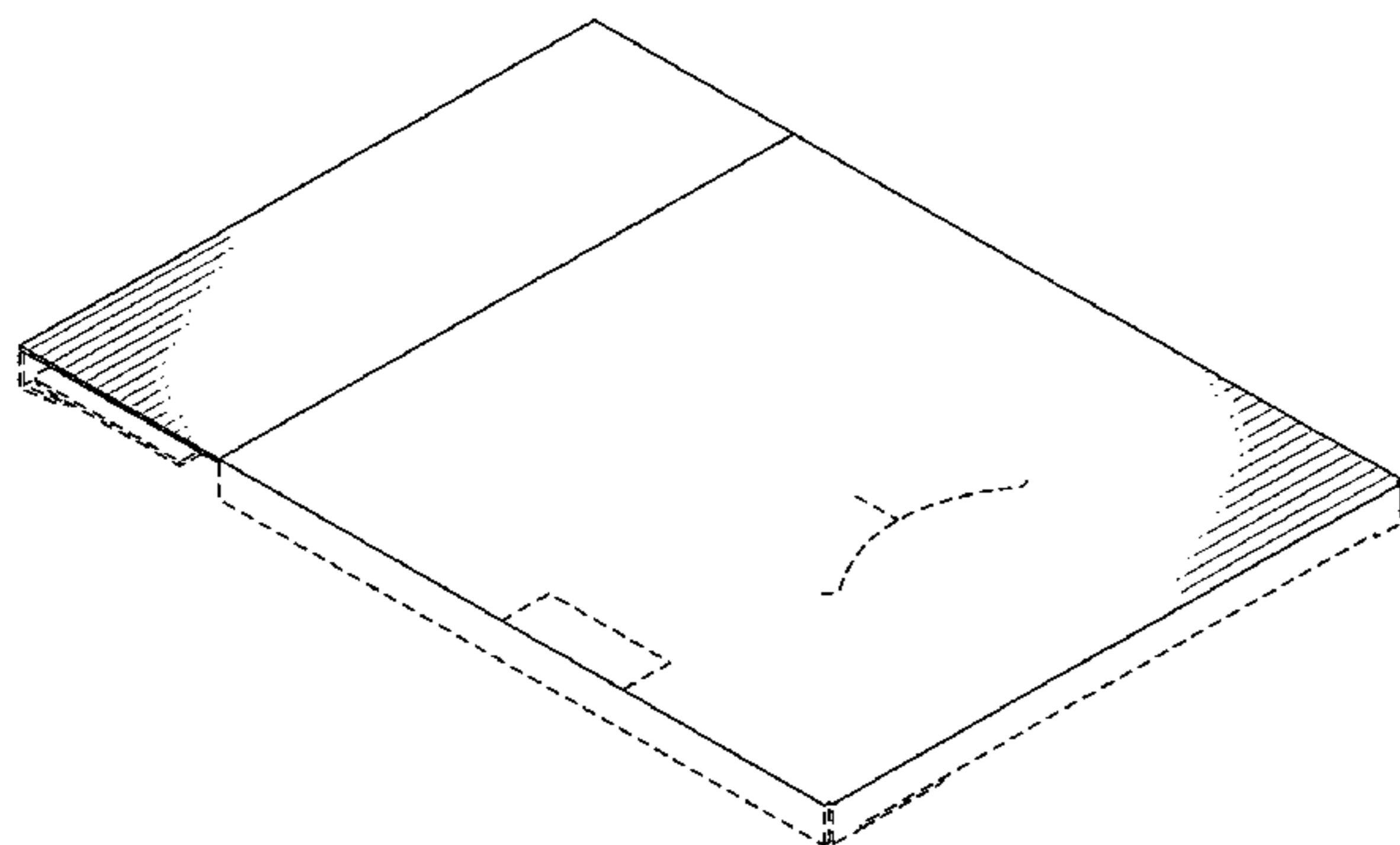


FIG. 2 is a reduced top perspective view thereof with an unclaimed portion removed so as not to obscure the claimed subject matter;

FIG. 3 is a top view of FIG. 1;

FIG. 4 is a top view of FIG. 2;

FIG. 5 is a front view of FIG. 1;

FIG. 6 is a right-side view of FIG. 1;

FIG. 7 is a left-side view of FIG. 1;

FIG. 8 is a rear view of FIG. 1;

FIG. 9 is a bottom view of FIG. 1;

FIG. 10 is a reduced bottom perspective view of FIG. 1;

FIG. 11 is a reduced top view of FIG. 1 in an unfolded position so the inside is visible;

FIG. 12 is a reduced top perspective view thereof with the lid in the folded condition against the bottom of the cartridge;

FIG. 13 is a reduced top perspective view of FIG. 12 with an unclaimed portion removed so as not to obscure the claimed subject matter;

FIG. 14 is a front view of FIG. 12;

FIG. 15 is a right-side view of FIG. 12;

FIG. 16 is a left-side view of FIG. 12;

FIG. 17 is a rear view of FIG. 12;

FIG. 18 is a bottom view of FIG. 12;

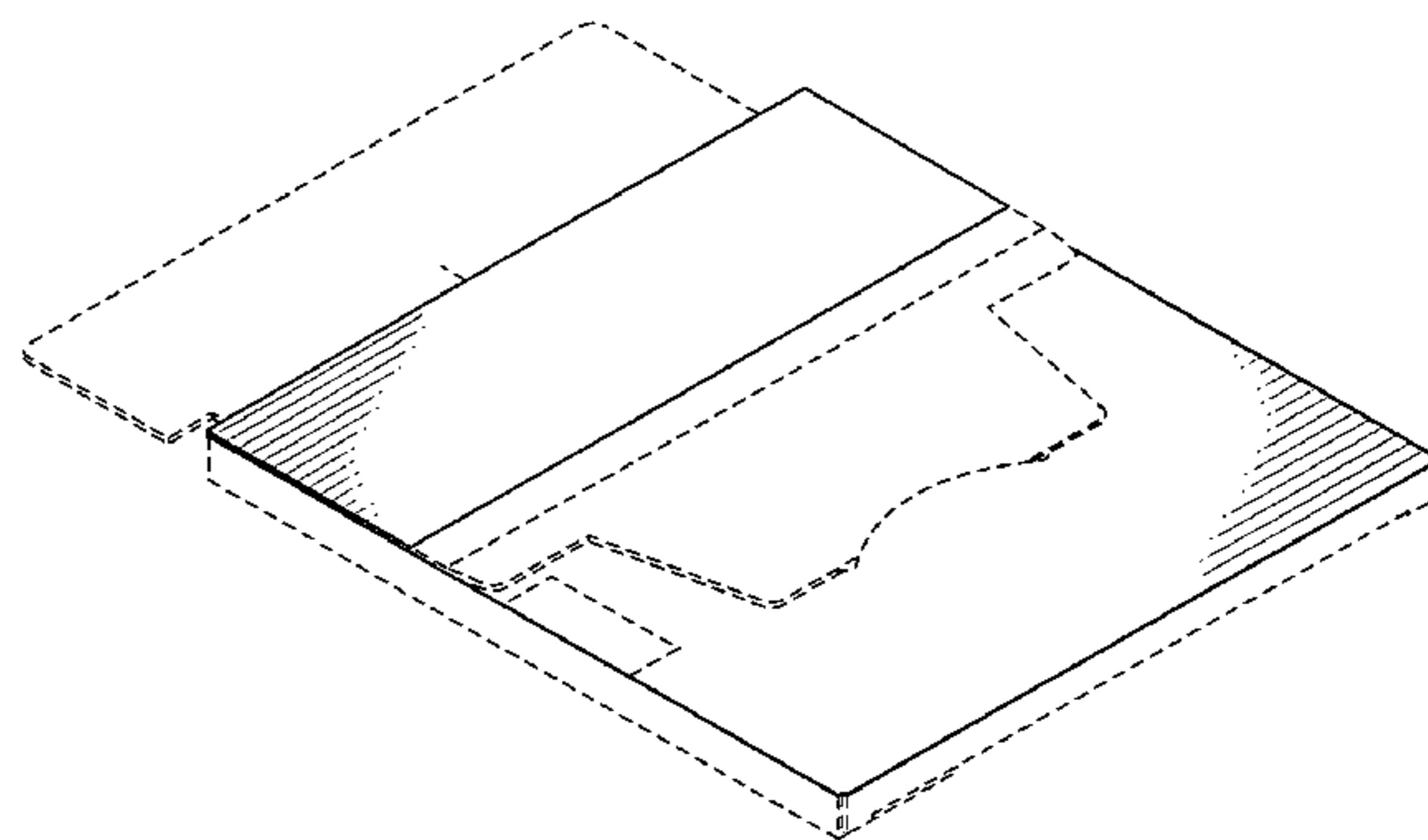
FIG. 19 is a bottom view of FIG. 12 with an unclaimed portion removed so as not to obscure the claimed subject matter;

FIG. 20 is a reduced bottom perspective view of FIG. 12; and,

FIG. 21 is a reduced bottom perspective view of FIG. 12 with an unclaimed portion removed so as not to obscure the claimed subject matter.

The broken lines are for illustrative purposes only and form no part of the claimed design.

1 Claim, 12 Drawing Sheets



US D571,398 S

Page 2

U.S. PATENT DOCUMENTS

6,217,019 B1 *	4/2001	Ishiduka et al.	206/449	D512,740 S *	12/2005	Nakamura et al.	D18/56
6,227,732 B1 *	5/2001	Higuchi et al.	206/449	D542,340 S *	5/2007	Nakamura et al.	D18/56
6,318,918 B1 *	11/2001	Sasaki et al.	400/624	7,281,873 B2 *	10/2007	Yamamoto et al.	206/449
D453,183 S *	1/2002	Shinano et al.	D18/56	2001/0011795 A1 *	8/2001	Ohtsuka et al.	271/145

* cited by examiner

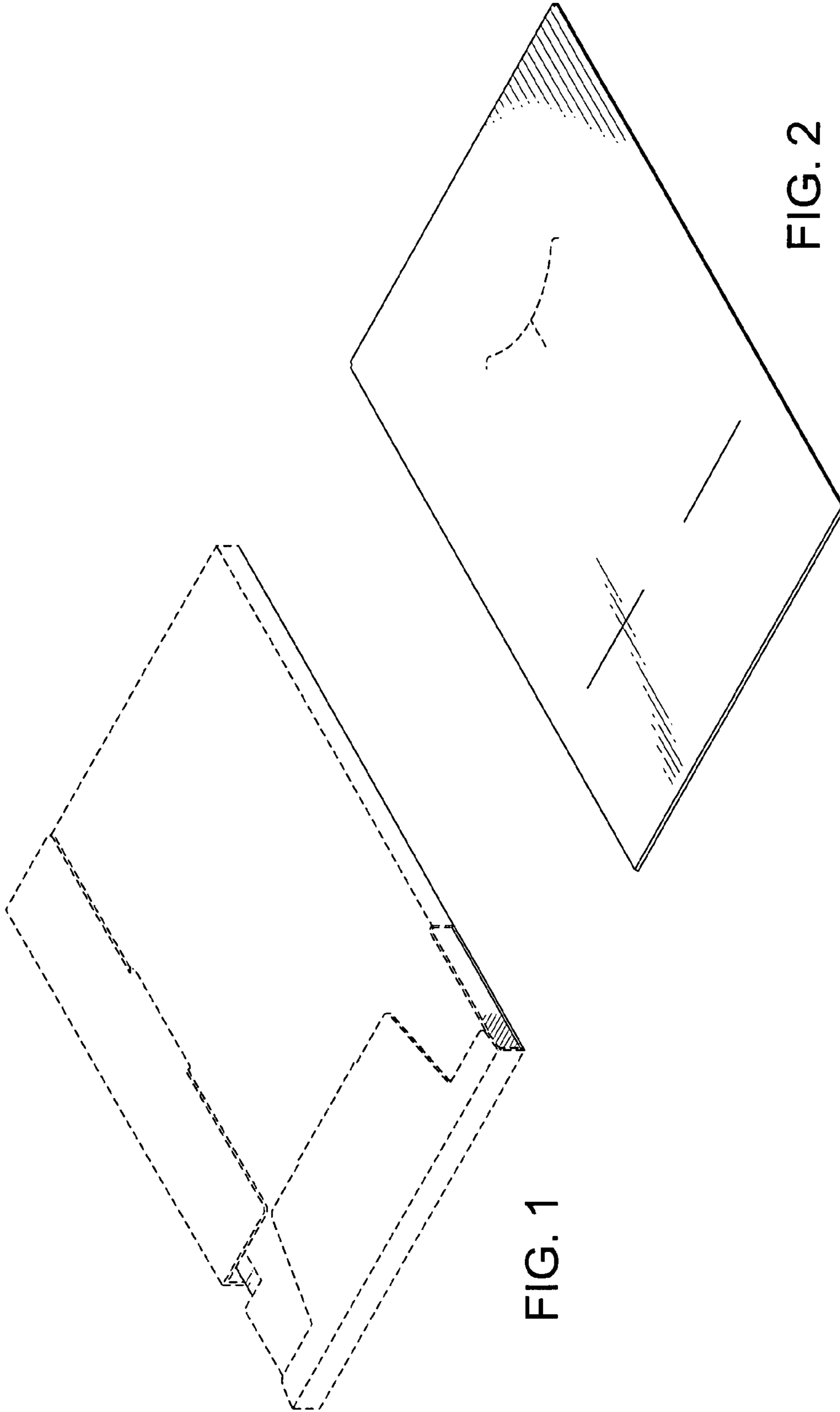


FIG. 1

FIG. 2

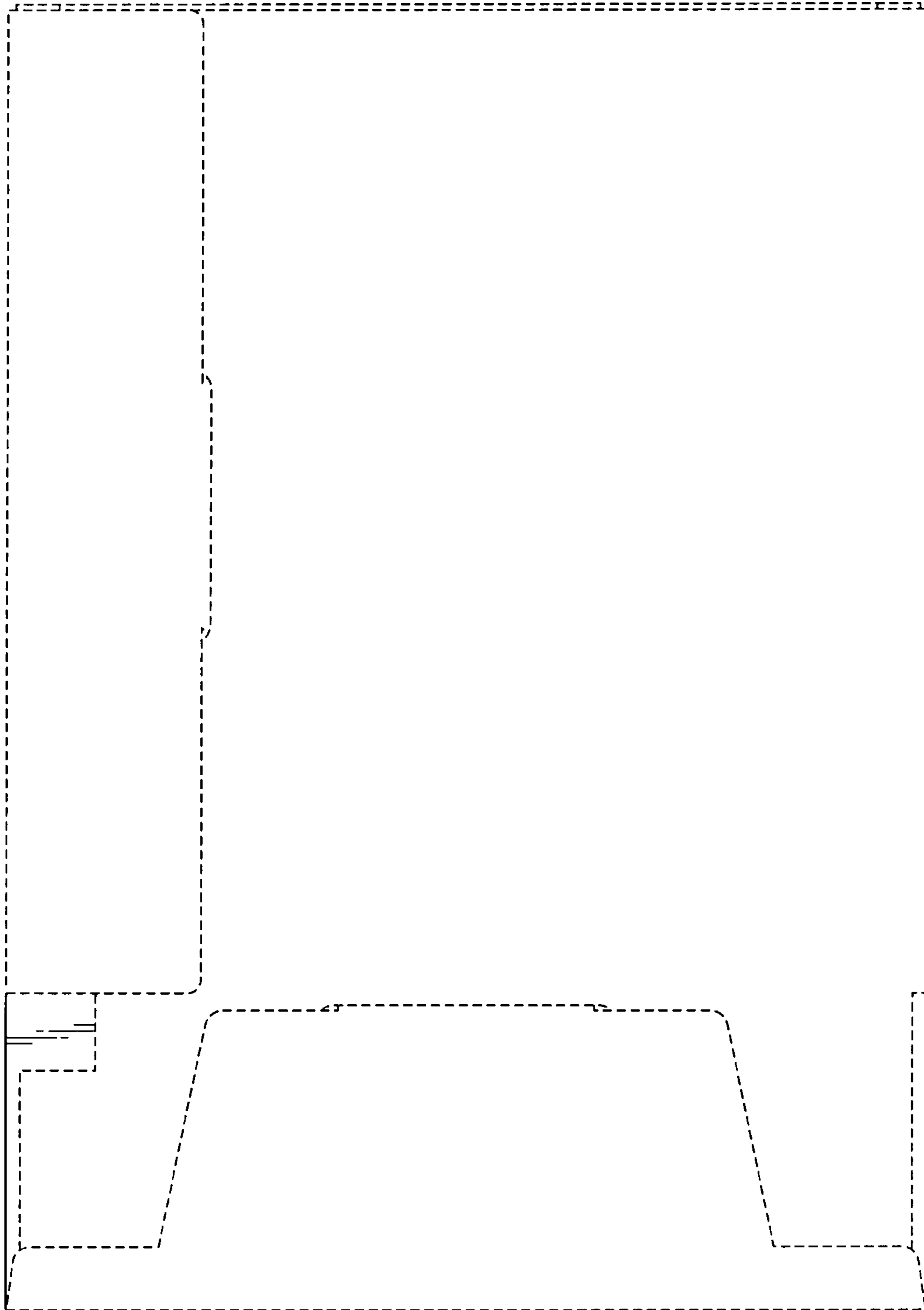


FIG. 3

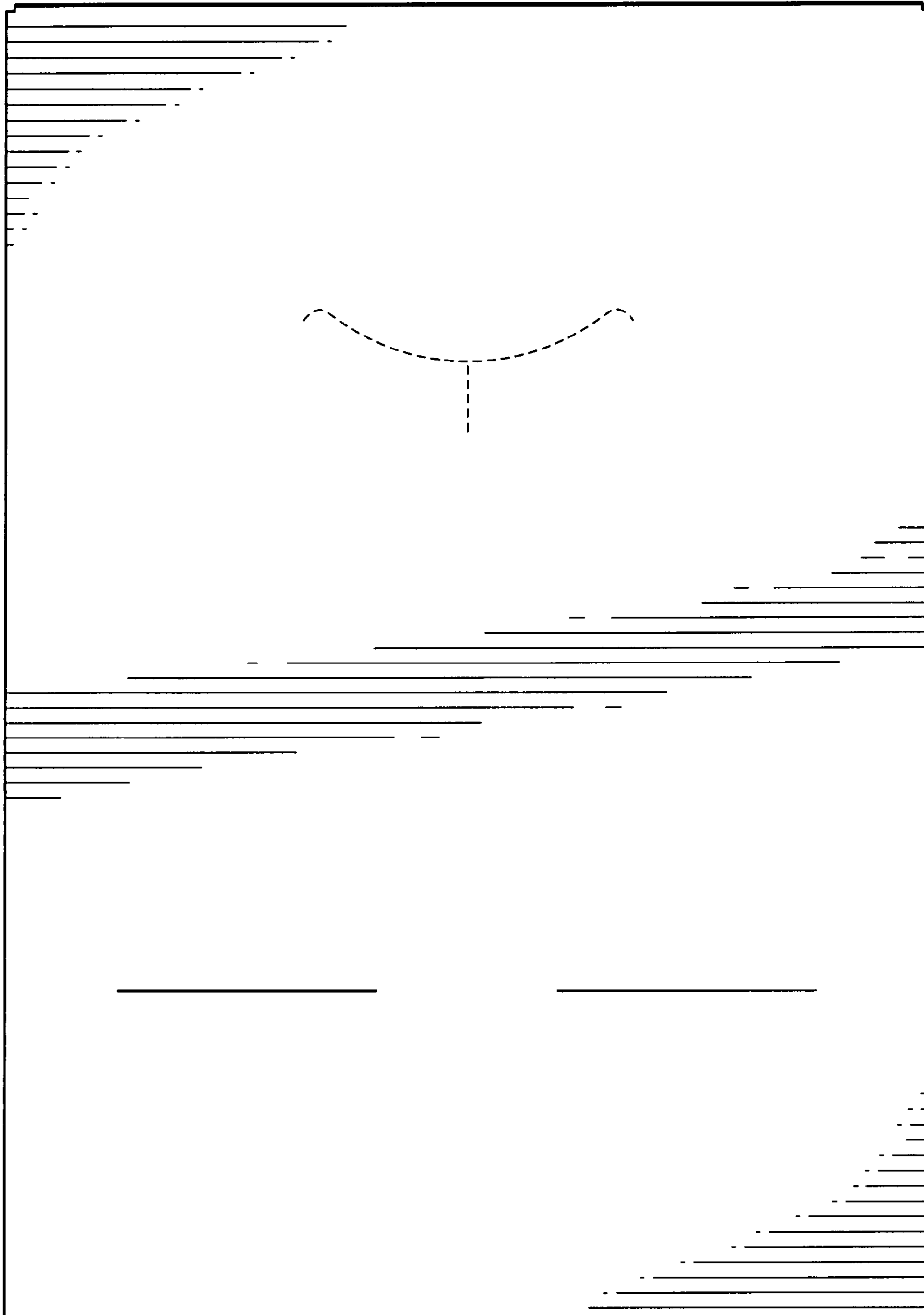


FIG. 4

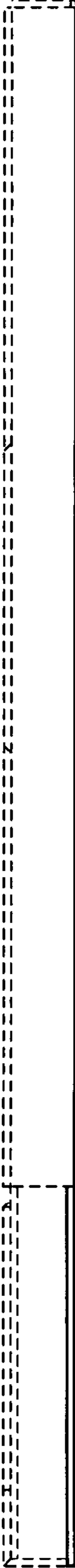


FIG. 5



FIG. 6



FIG. 7

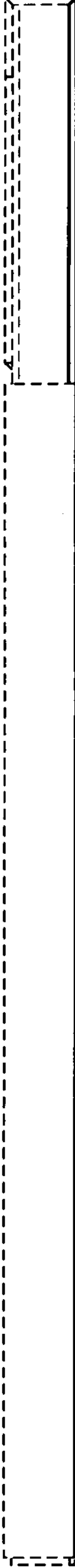


FIG. 8

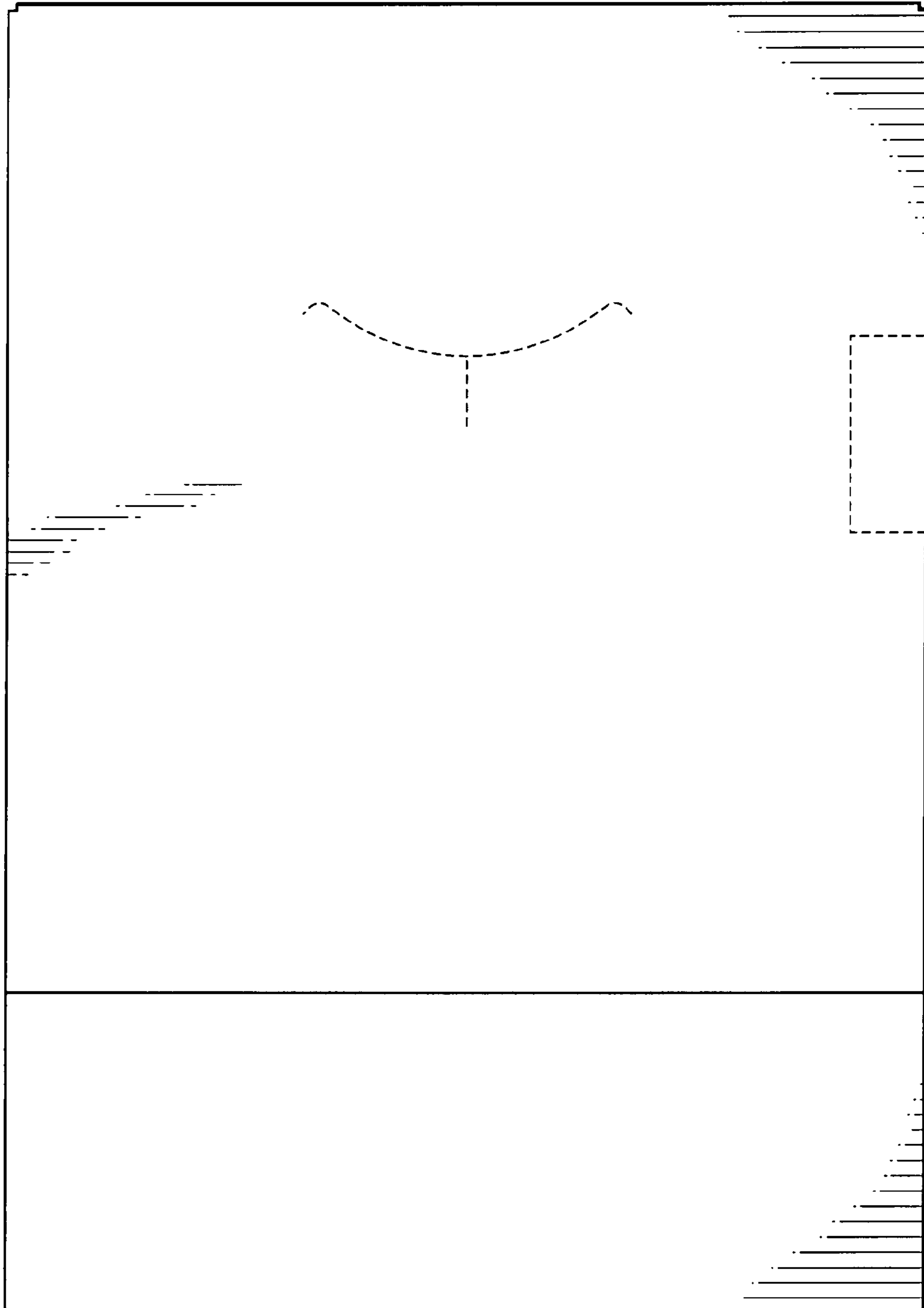


FIG. 9

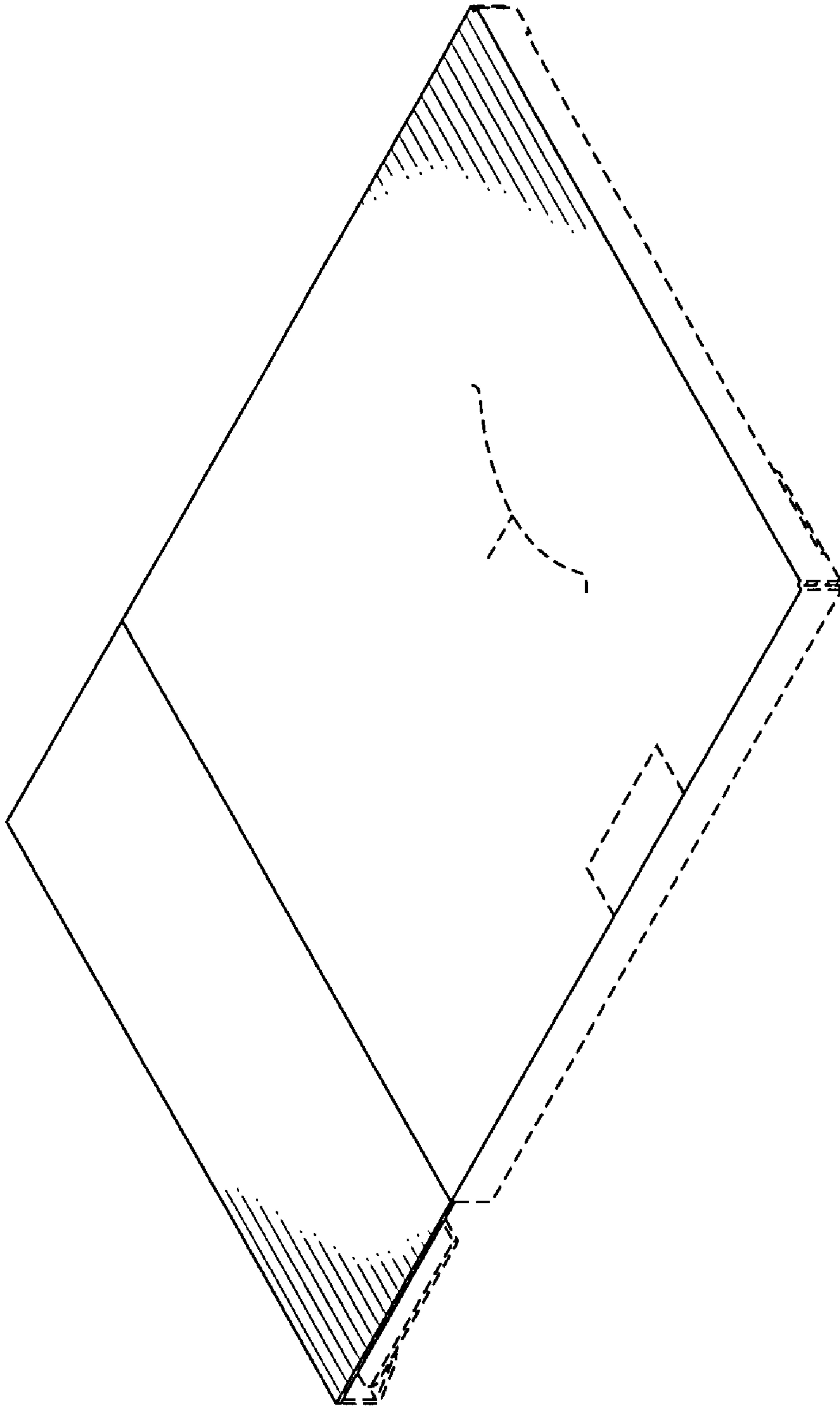


FIG. 10

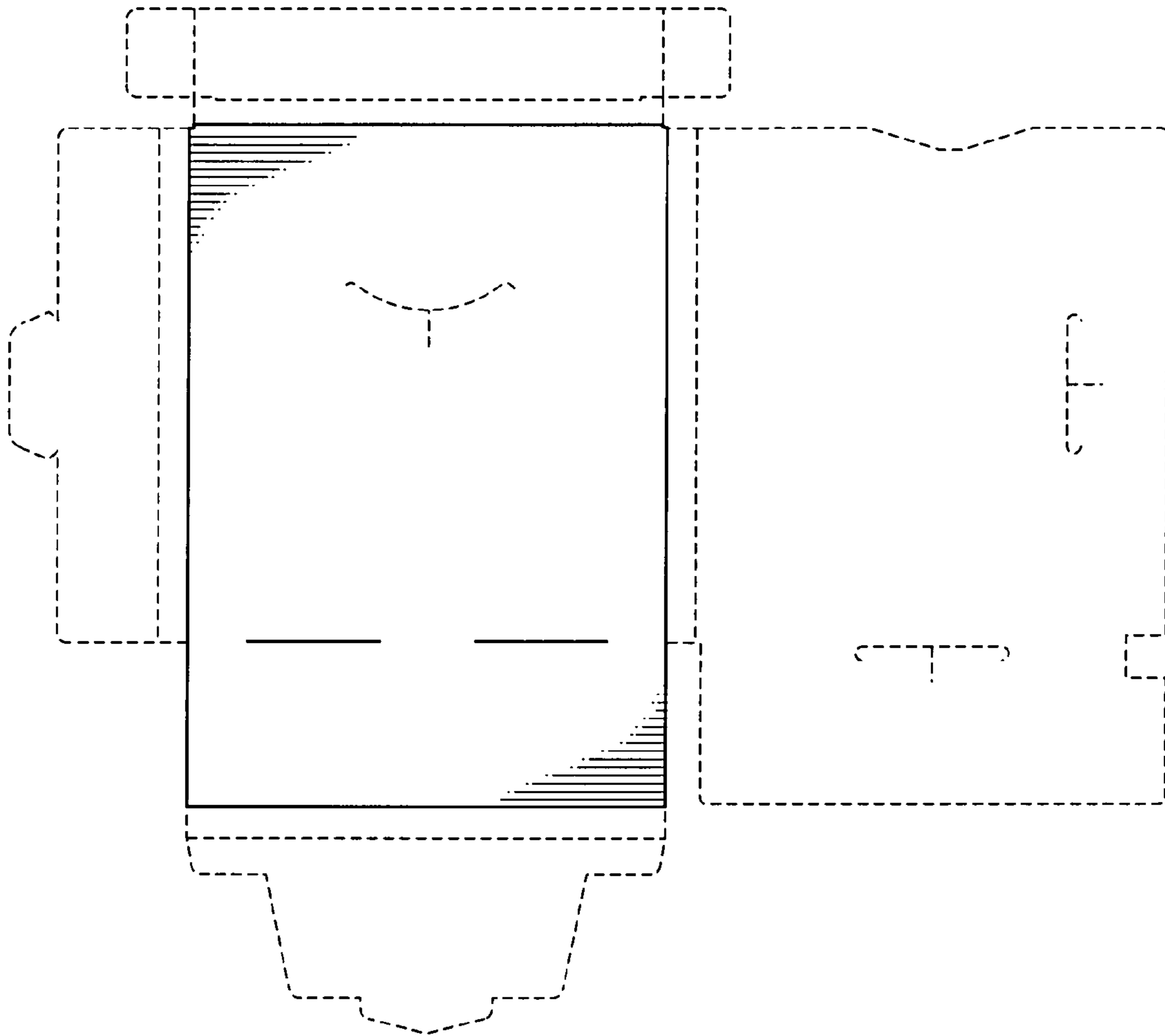


FIG. 11

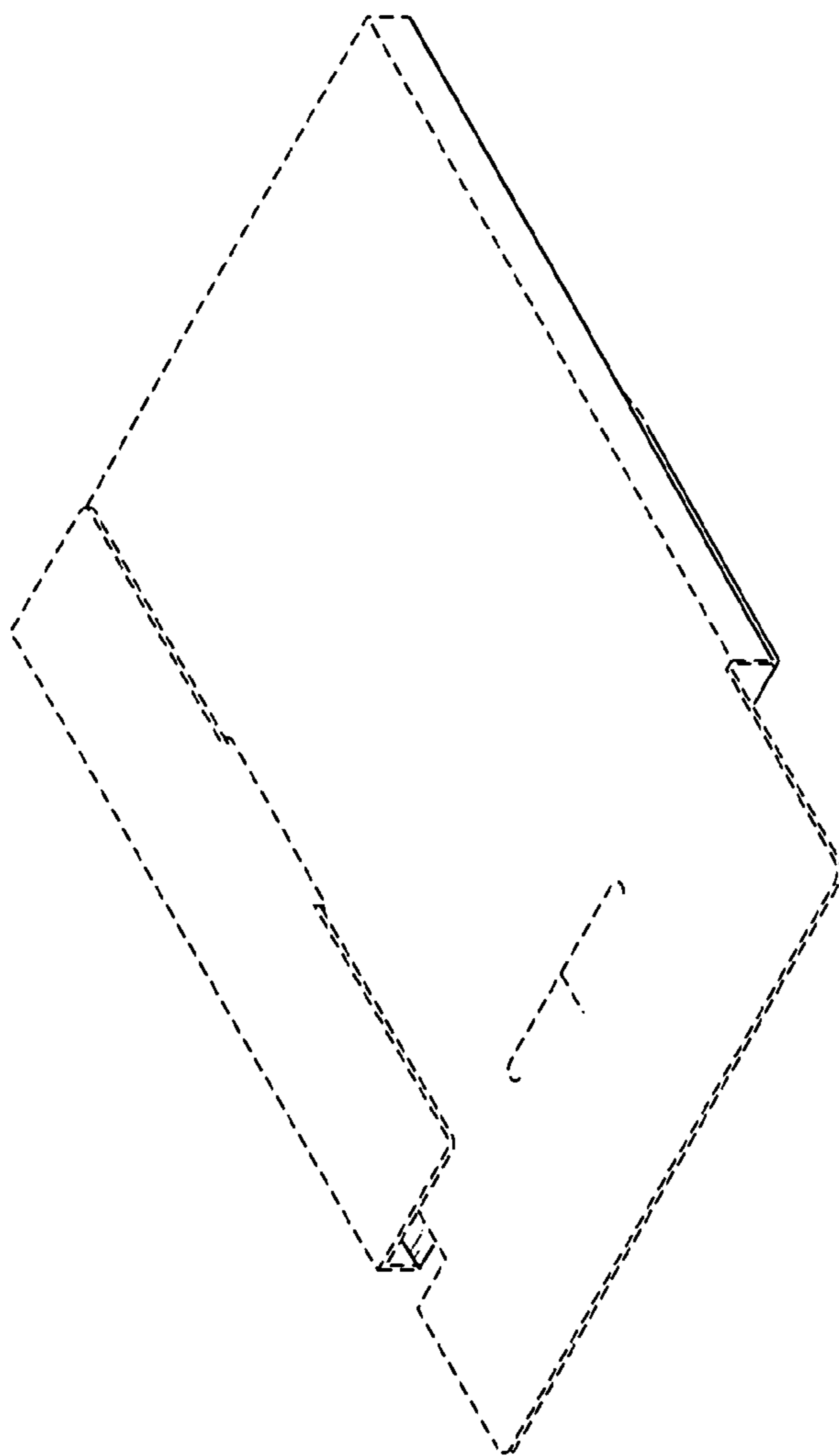


FIG. 12

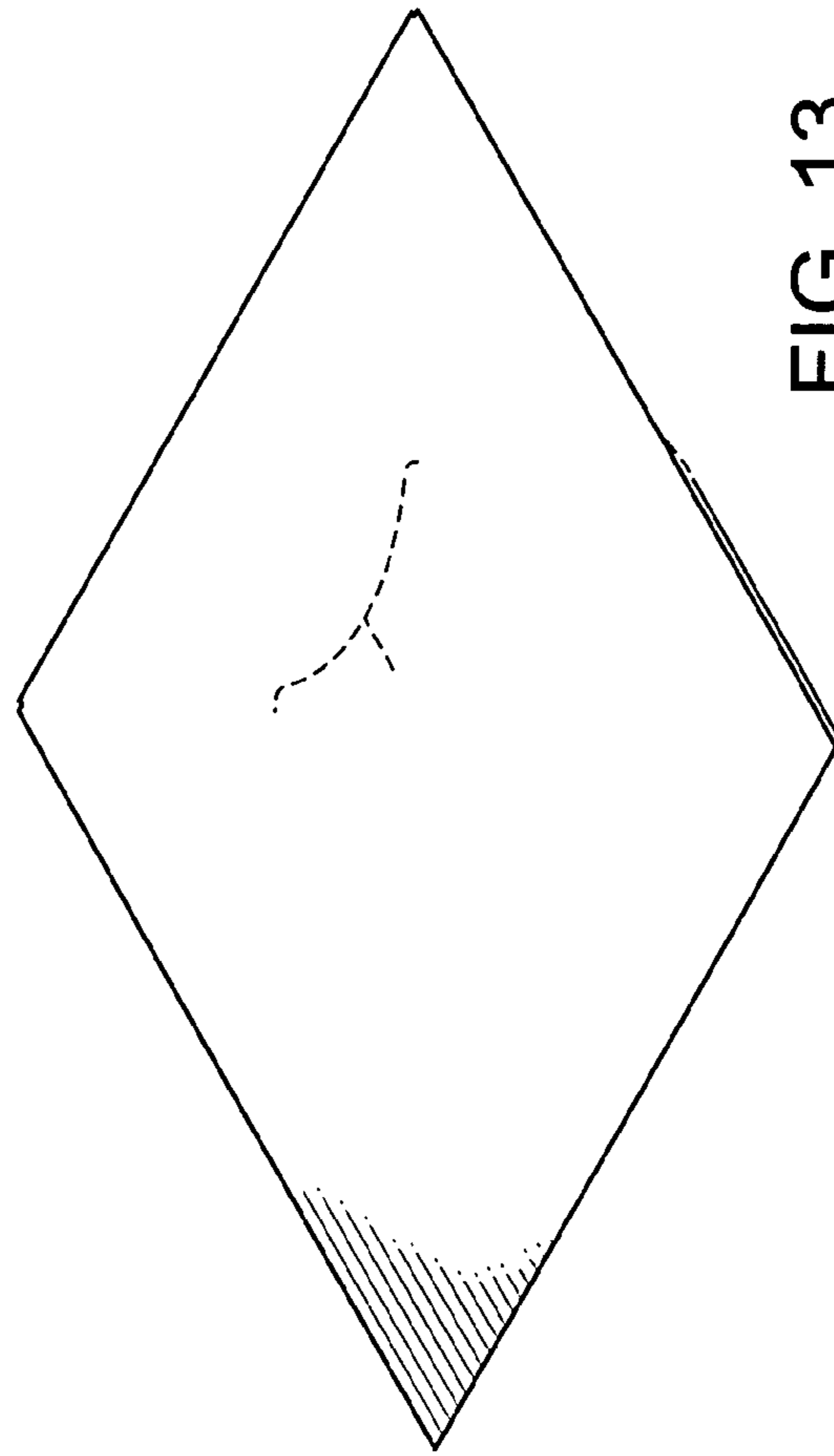


FIG. 13



FIG. 14

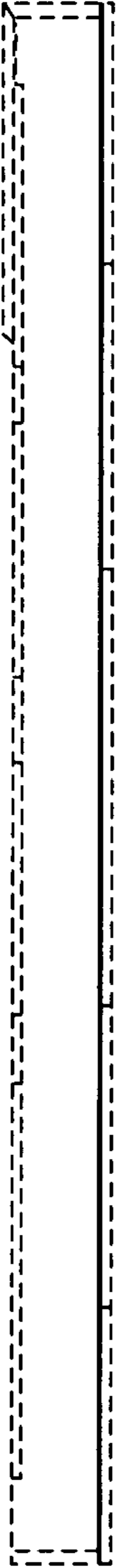


FIG. 15



FIG. 16

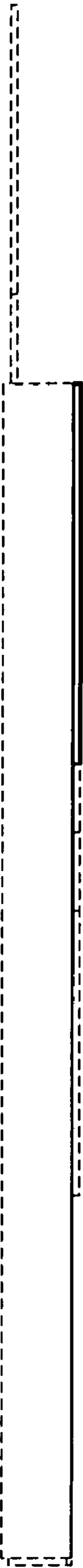


FIG. 17

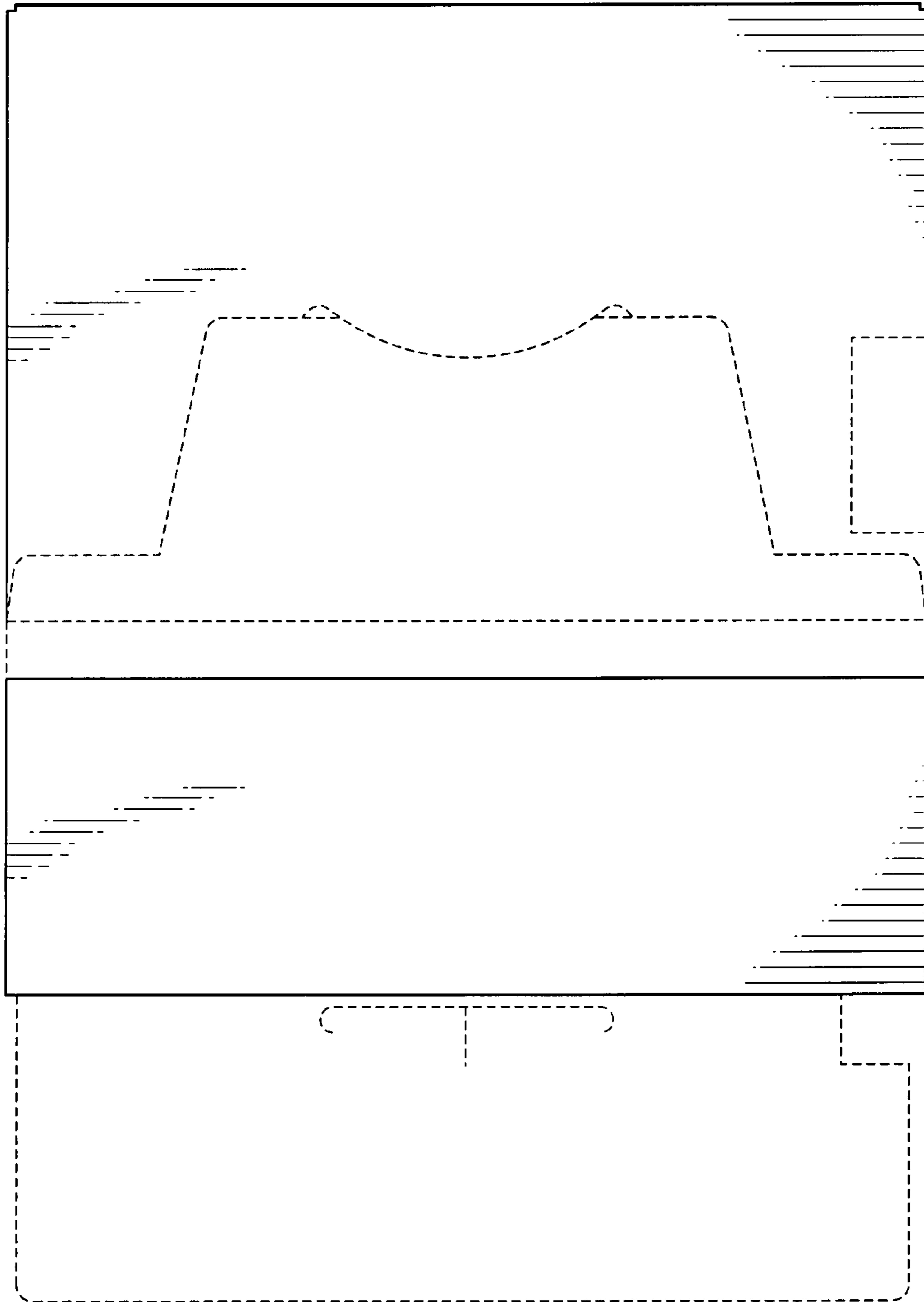


FIG. 18

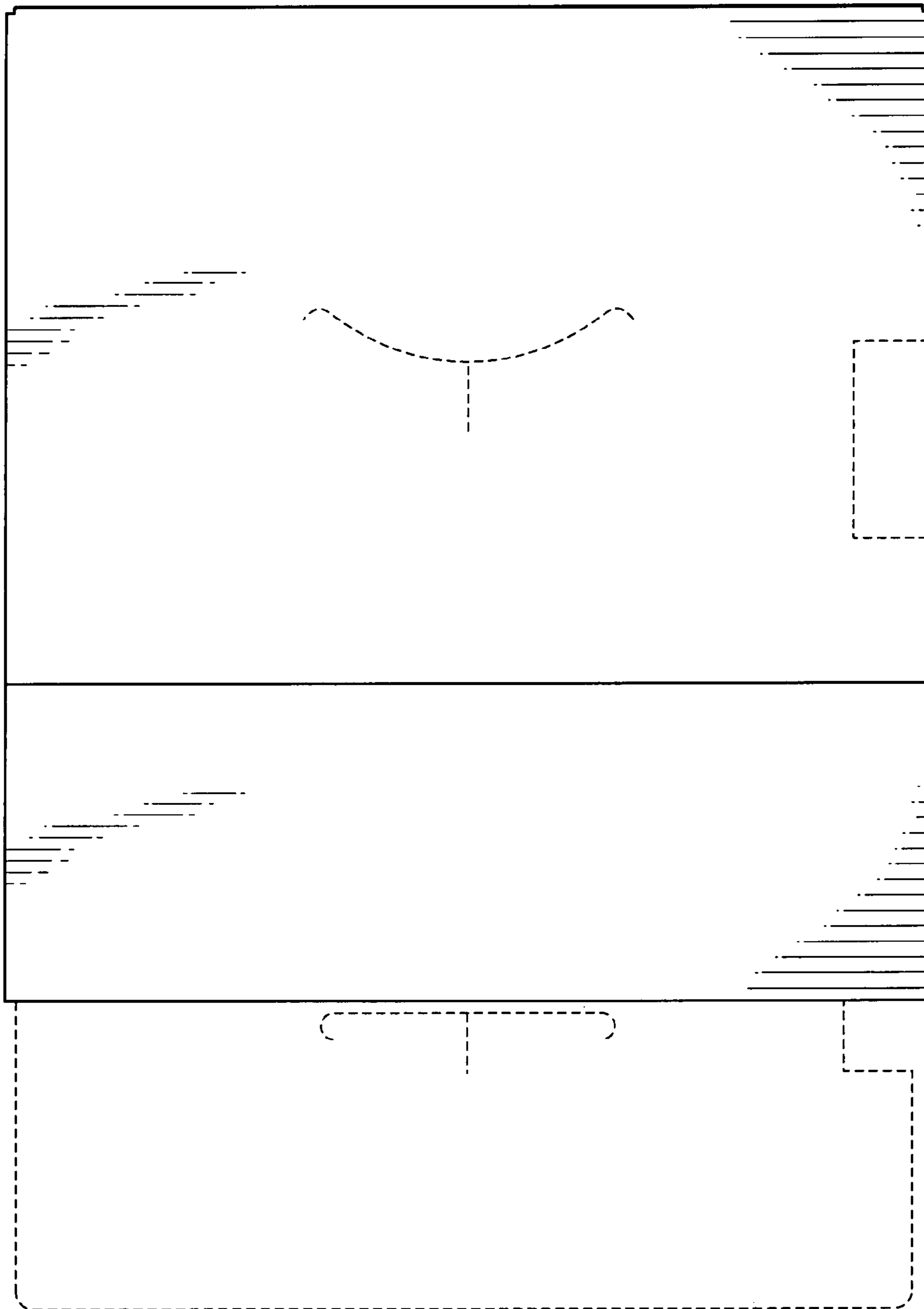


FIG. 19

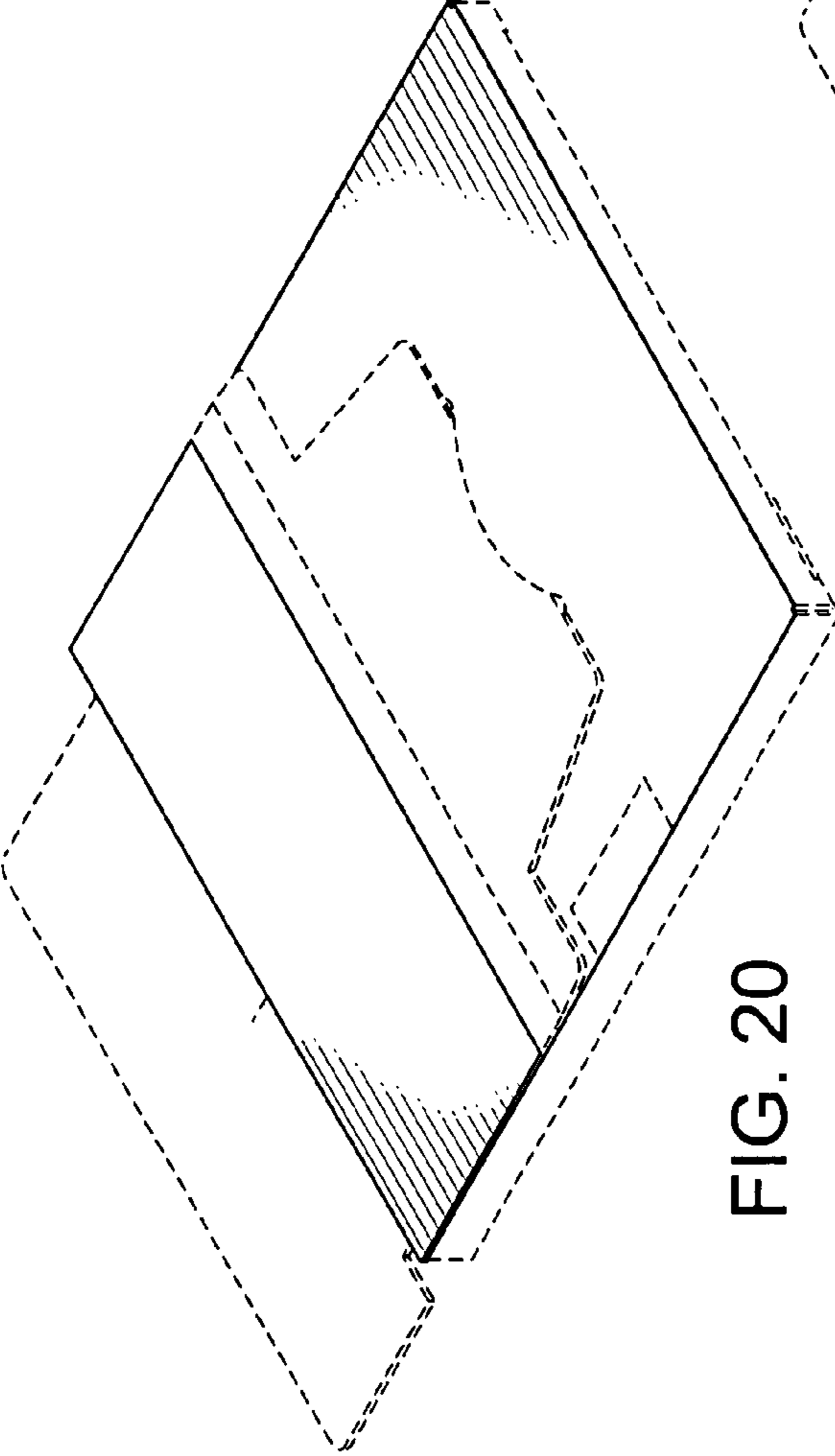


FIG. 20

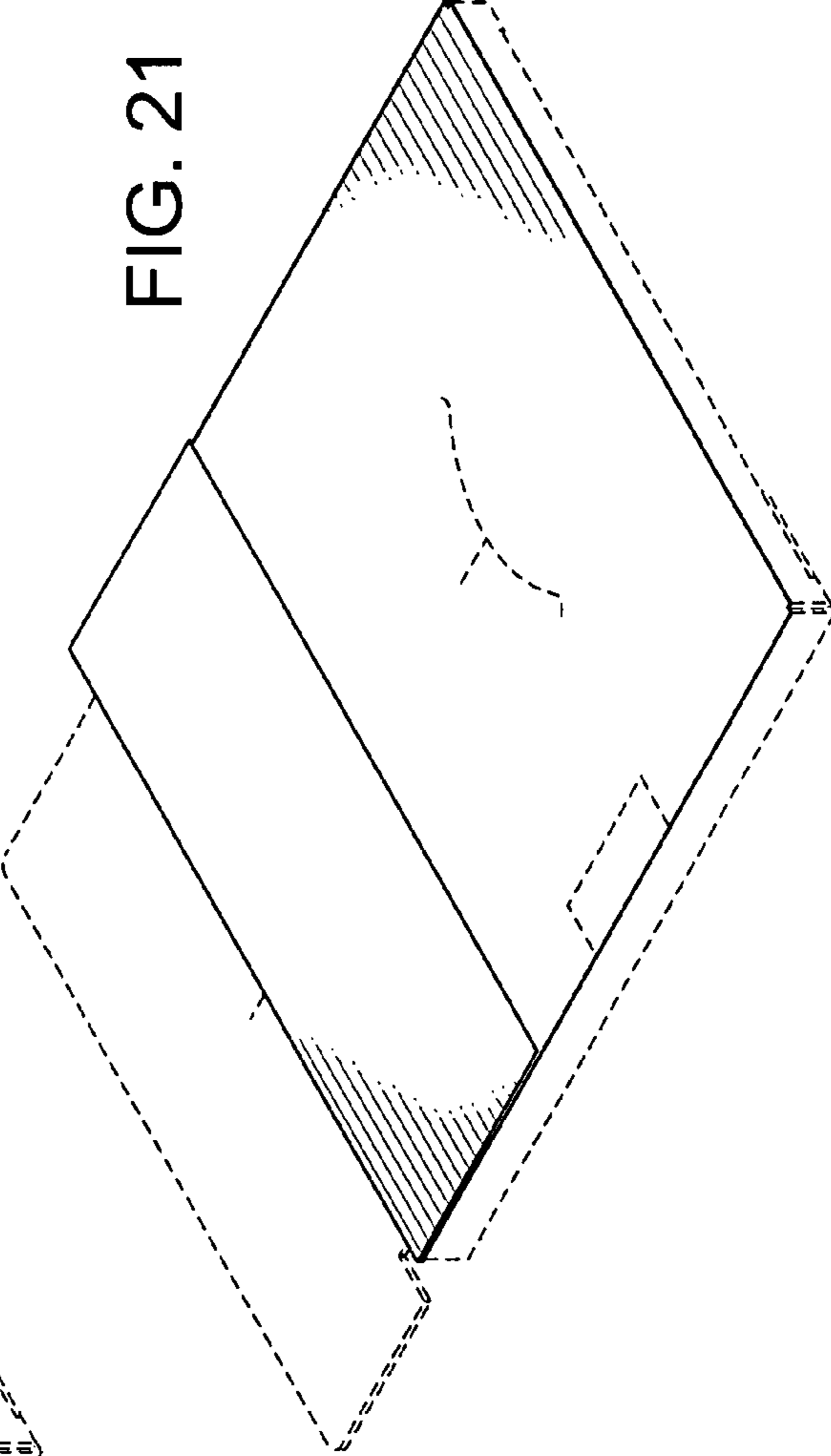


FIG. 21

UNITED STATES PATENT AND TRADEMARK OFFICE
CERTIFICATE OF CORRECTION

PATENT NO. : Des. 571,398 S
APPLICATION NO. : 29/274948
DATED : June 17, 2008
INVENTOR(S) : Takashi Horiuchi, Yasunori Nakamura and Yoshikatsu Suito

Page 1 of 1

It is certified that error appears in the above-identified patent and that said Letters Patent is hereby corrected as shown below:

On the Title Page, should read,

Item --(30) Foreign Application Priority Data
January 26, 2007, JP 2007-001542--

Signed and Sealed this

Twenty-sixth Day of May, 2009



JOHN DOLL
Acting Director of the United States Patent and Trademark Office