

US00D571397S

(12) **United States Design Patent**
Matsumoto

(10) **Patent No.:** **US D571,397 S**
(45) **Date of Patent:** **** Jun. 17, 2008**

- (54) **INK CARTRIDGE**
- (75) Inventor: **Hitoshi Matsumoto**, Matsumoto (JP)
- (73) Assignee: **Seiko Epson Corporation** (JP)
- (**) Term: **14 Years**
- (21) Appl. No.: **29/272,830**
- (22) Filed: **Feb. 15, 2007**
- (30) **Foreign Application Priority Data**
Aug. 22, 2006 (JP) 2006-022095
- (51) **LOC (8) Cl.** **18-02**
- (52) **U.S. Cl.** **D18/56; 347/86**
- (58) **Field of Classification Search** D18/40,
D18/43, 56; 347/86-87
See application file for complete search history.

(56) **References Cited**

U.S. PATENT DOCUMENTS

- D477,020 S * 7/2003 Seino D18/56
- D489,757 S * 5/2004 Matsumoto D18/56
- D522,049 S * 5/2006 Ishizawa et al. D18/56
- D524,855 S * 7/2006 Ishizawa et al. D18/56
- D529,954 S * 10/2006 Matsumoto D18/56
- D534,581 S * 1/2007 Ikezaki et al. D18/56
- 2005/0036015 A1 * 2/2005 Seino et al. 347/86

2005/0057625 A1* 3/2005 Ishizawa et al. 347/86

* cited by examiner

Primary Examiner—Cathy Anne MacCormac
(74) *Attorney, Agent, or Firm*—Harness, Dickey & Pierce, P.L.C.

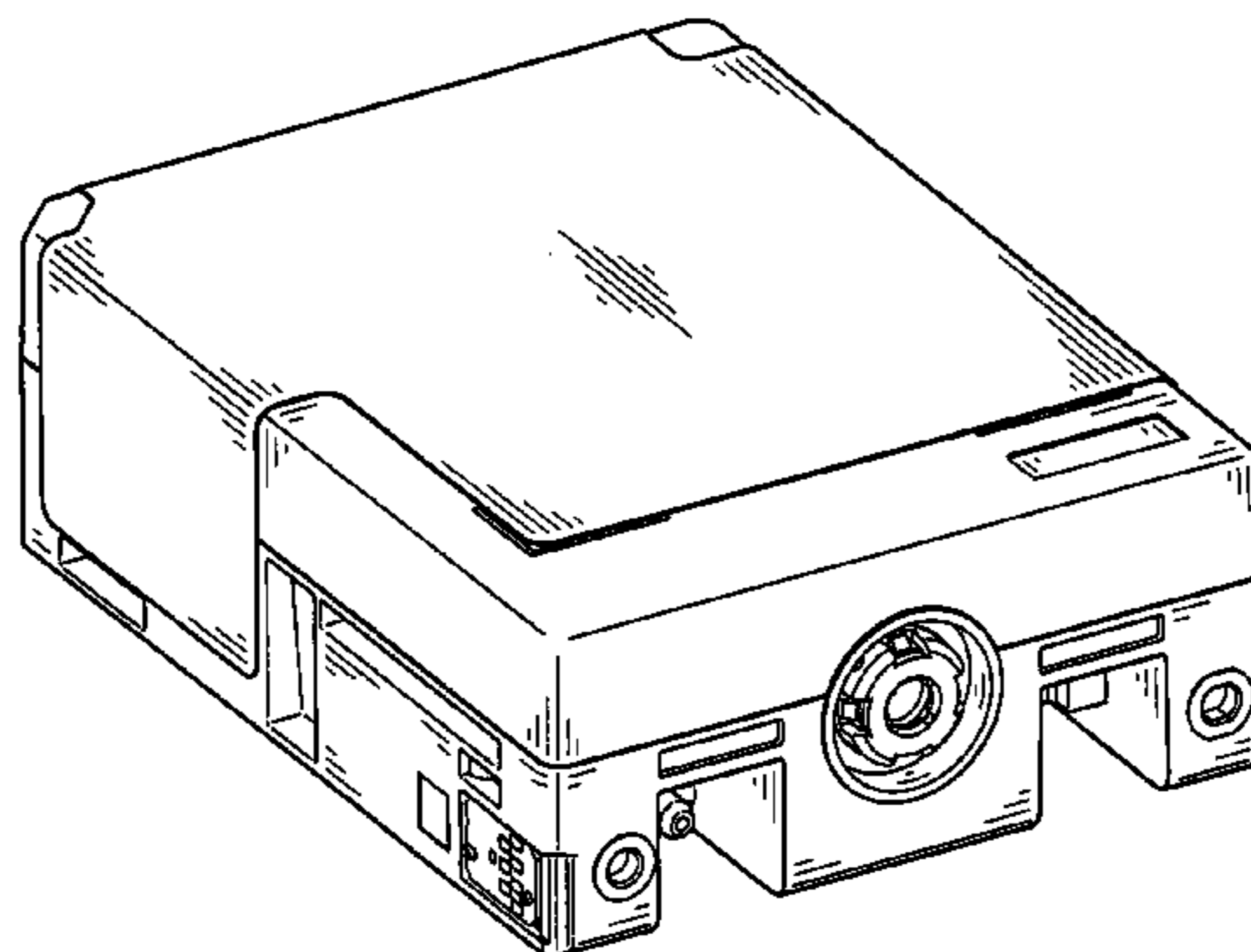
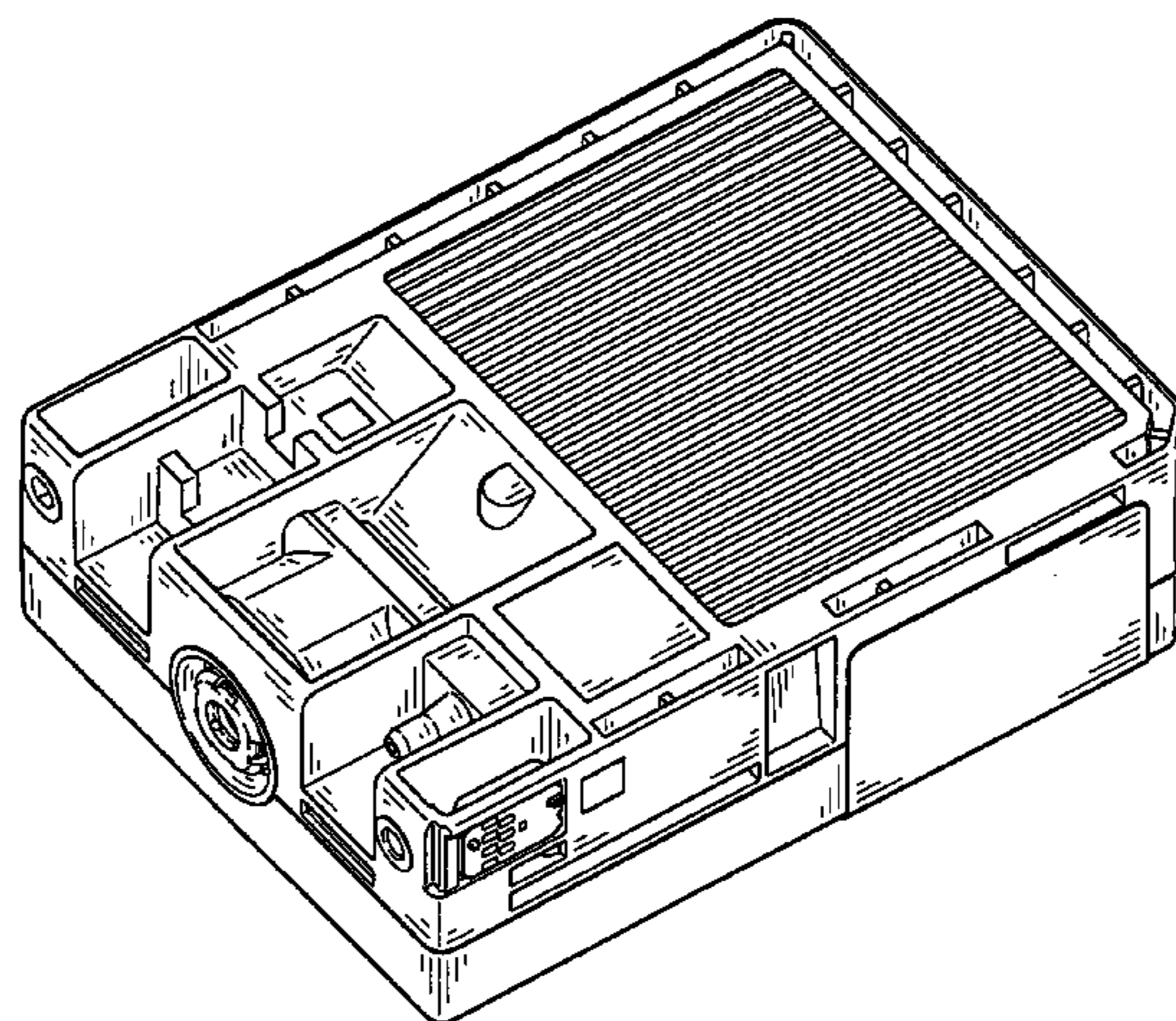
(57) **CLAIM**

The ornamental design for an ink cartridge, as shown and described.

DESCRIPTION

FIG. 1 is a perspective view of an ink cartridge, as viewed from the top, rear and right side, embodying the new design; FIG. 2 is a perspective view thereof, as viewed from the top, rear and left side; FIG. 3 is a front view thereof; FIG. 4 is a rear view thereof; FIG. 5 is a left side view thereof; FIG. 6 is a right side view thereof; FIG. 7 is a top view thereof; FIG. 8 is a bottom view thereof; and, FIG. 9 is a perspective view thereof, as viewed from the bottom, rear and right side.

1 Claim, 6 Drawing Sheets



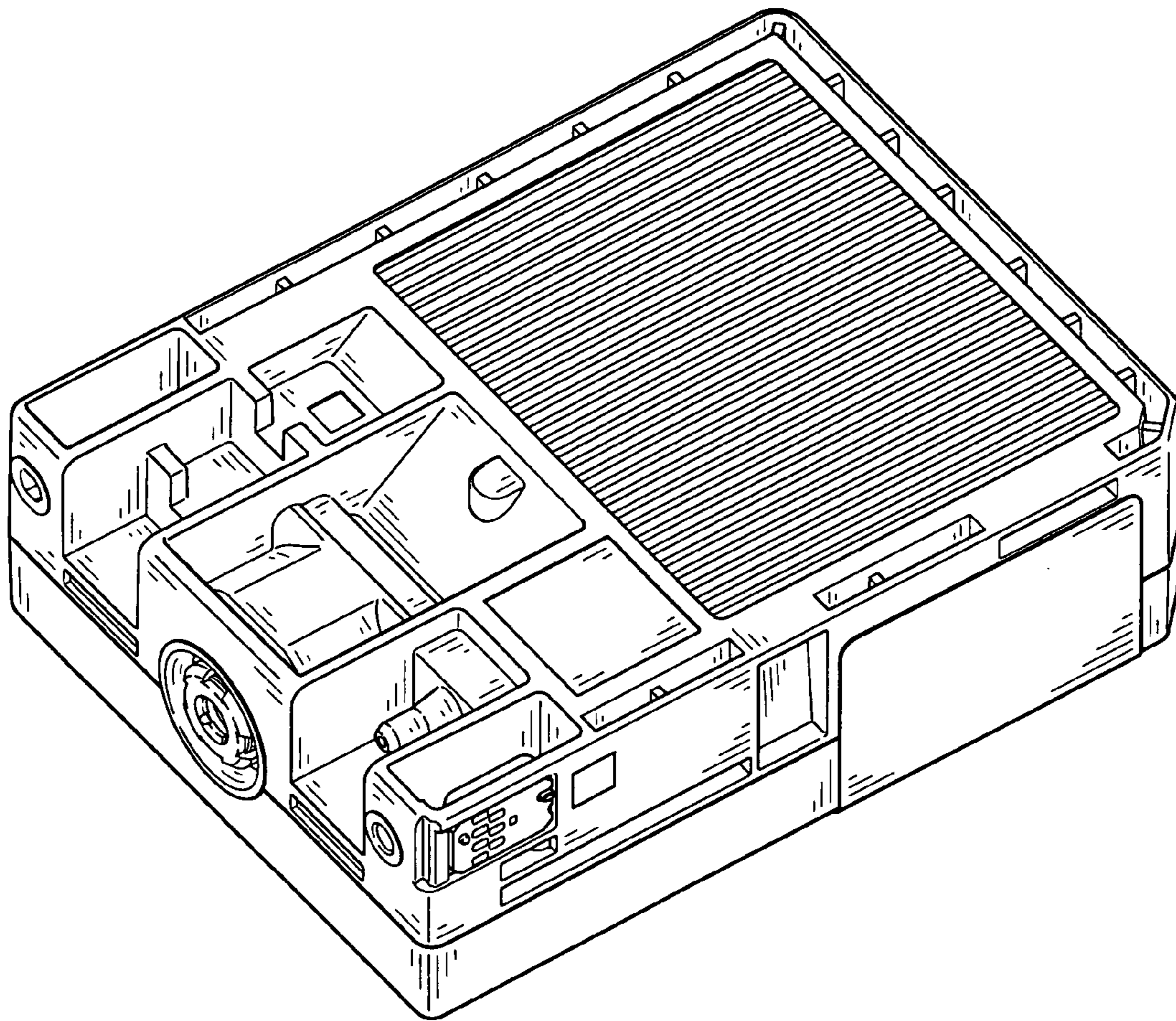


FIG. 1

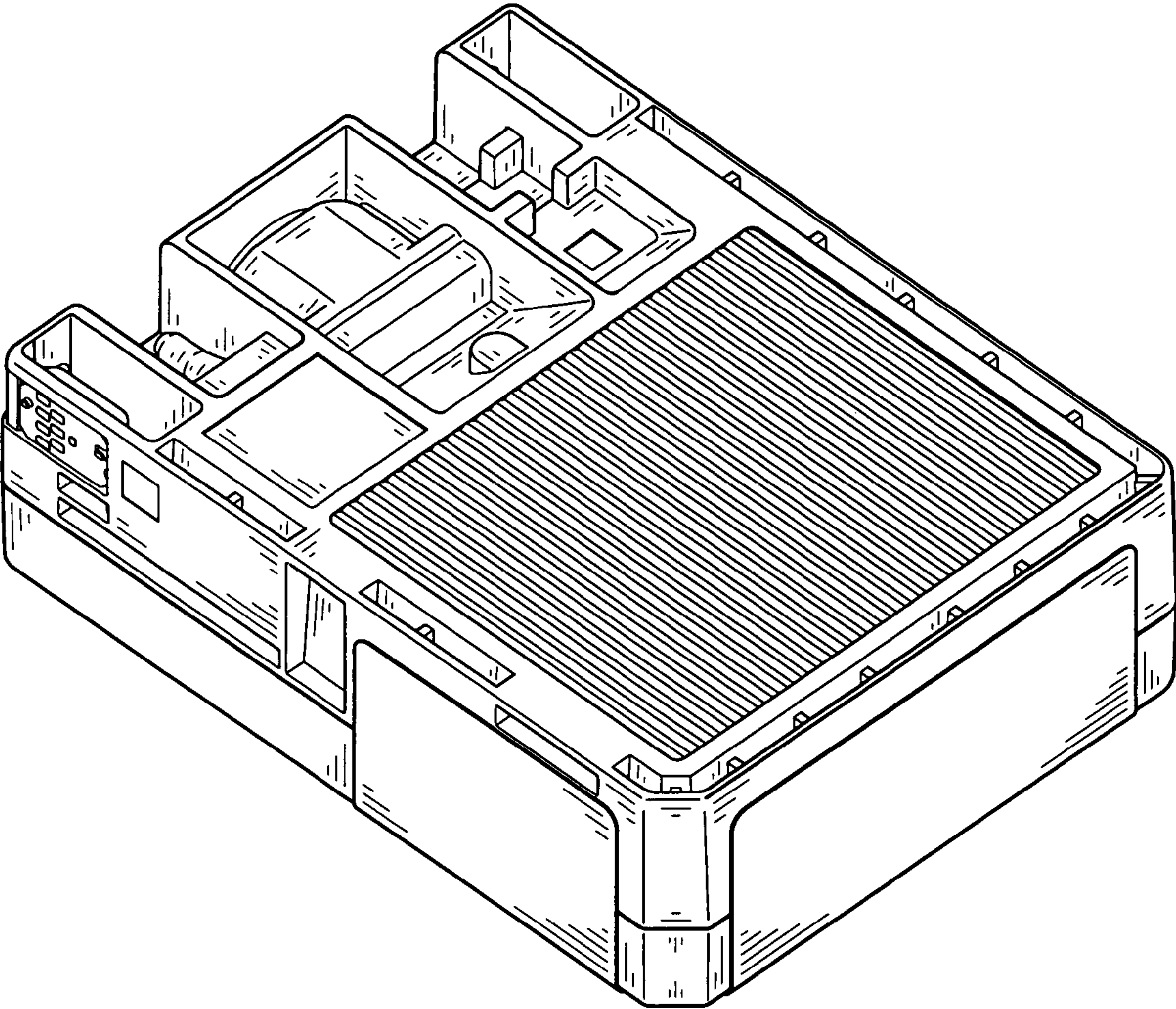


FIG. 2

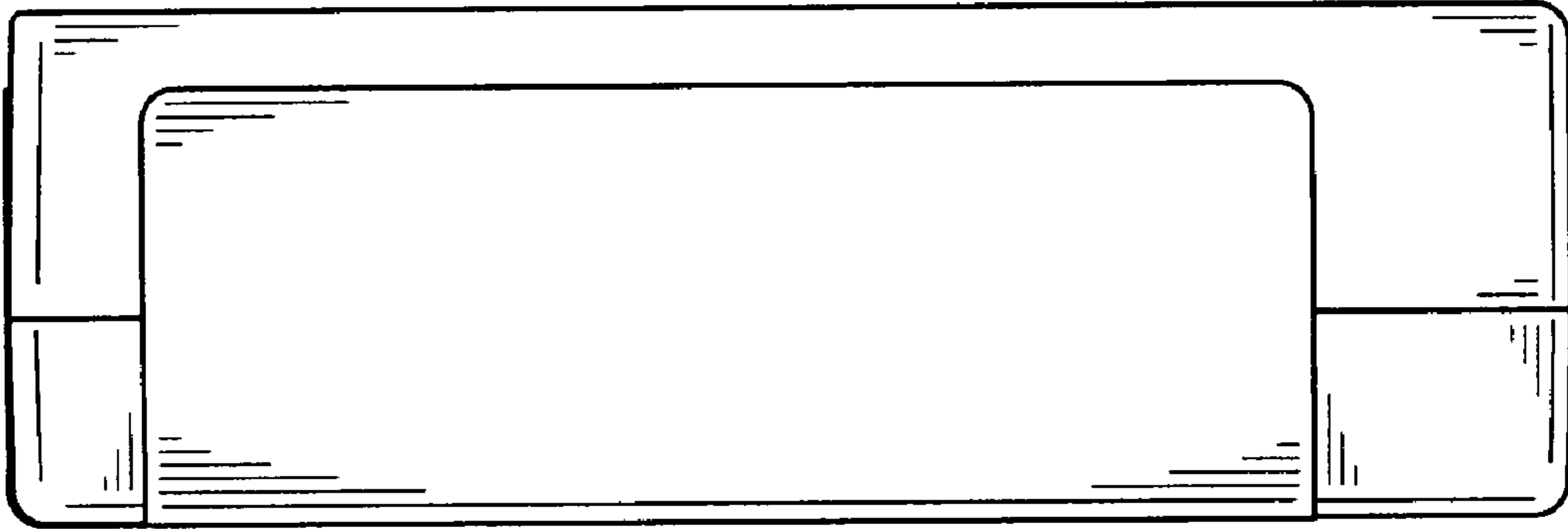


FIG. 3

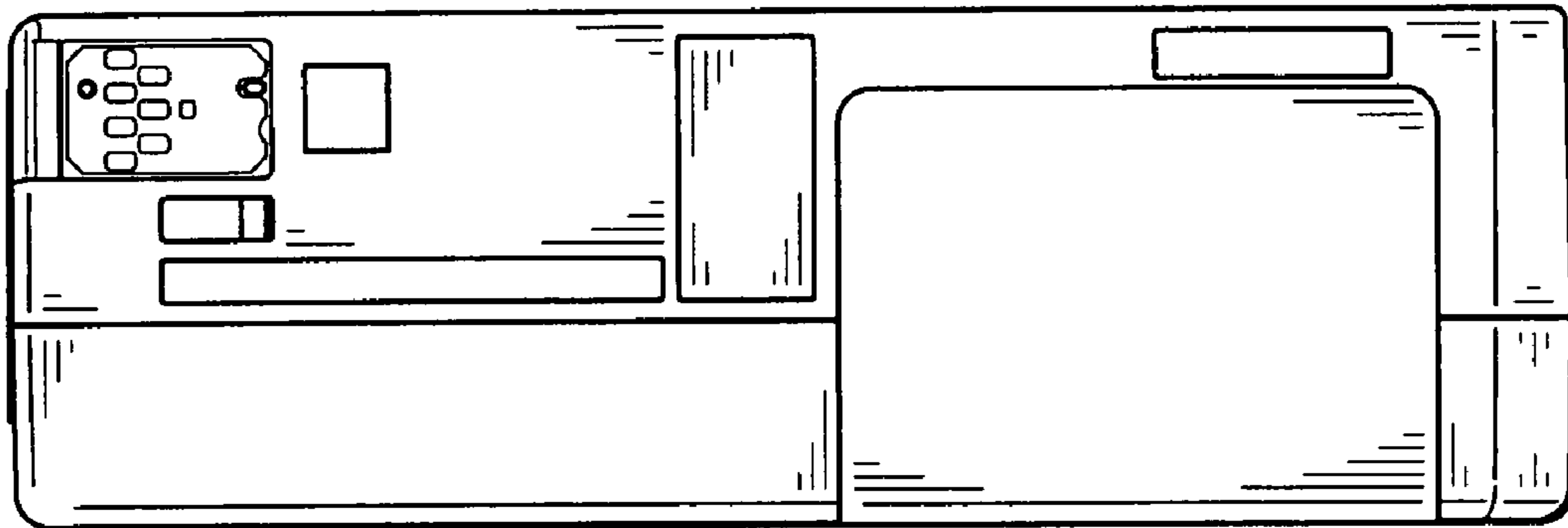


FIG. 4

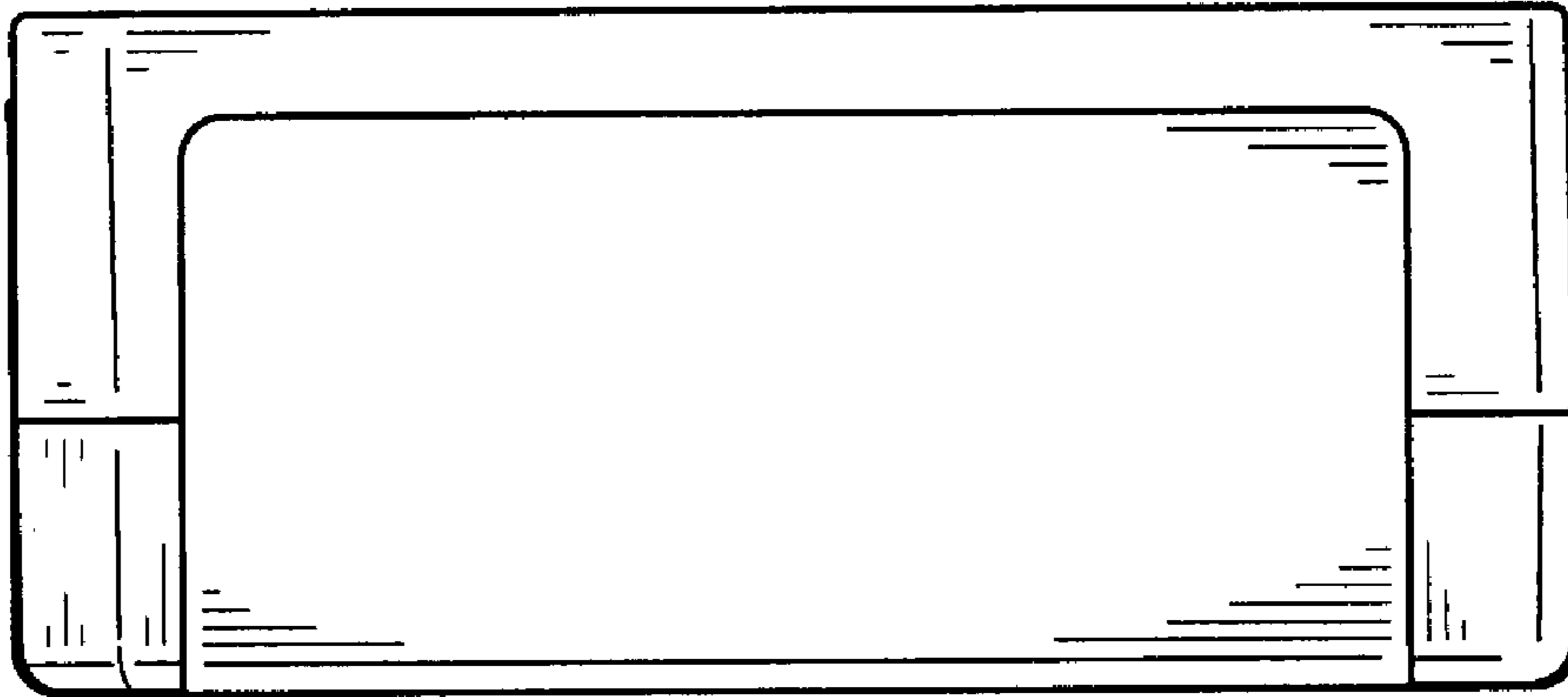


FIG. 5

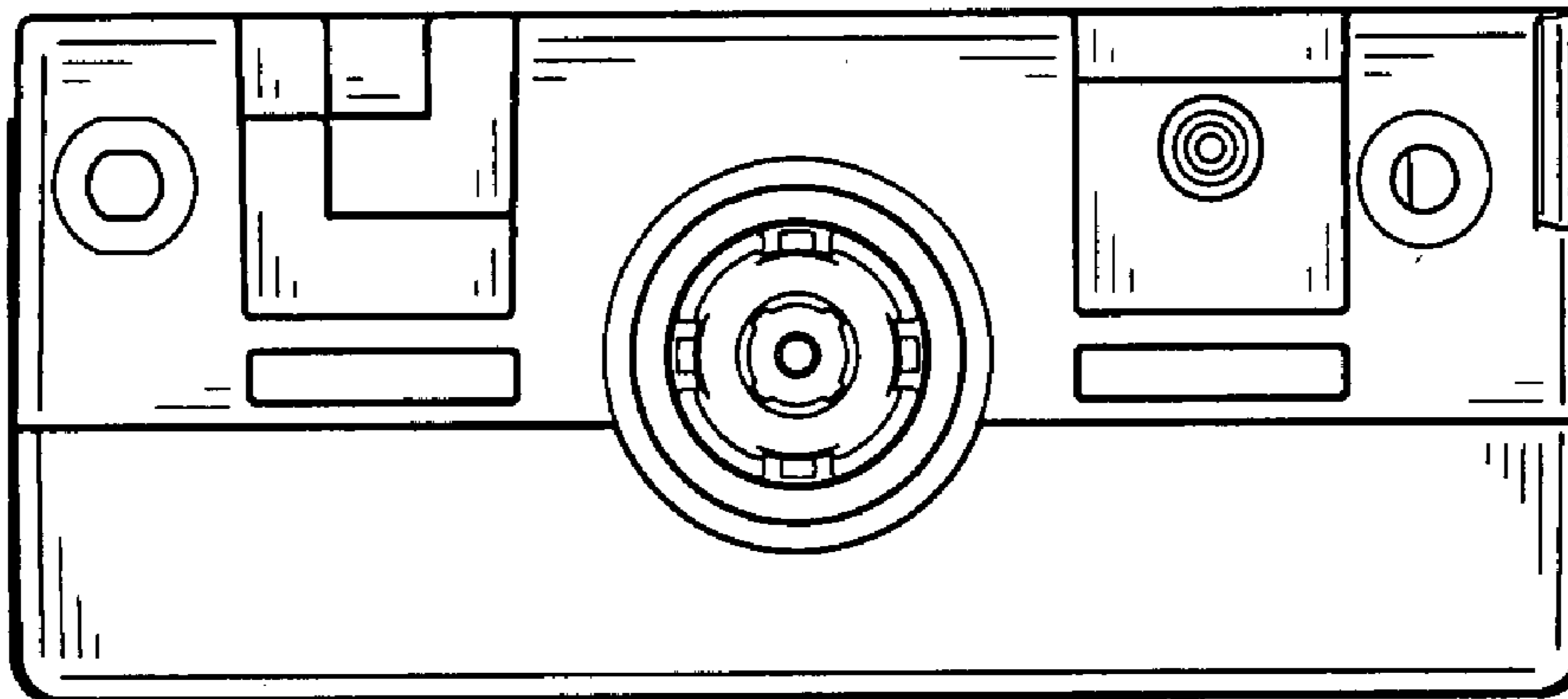


FIG. 6

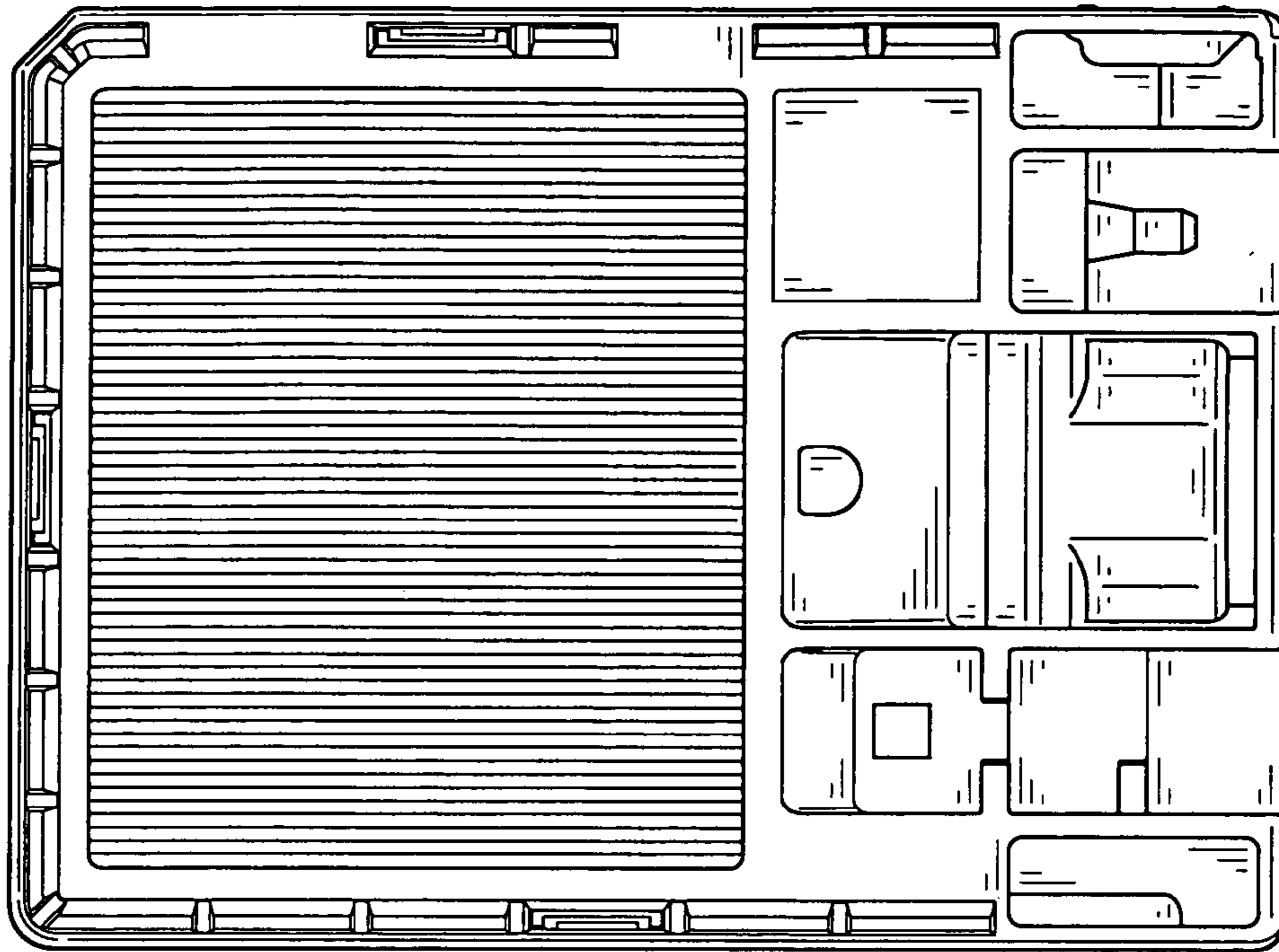


FIG. 7

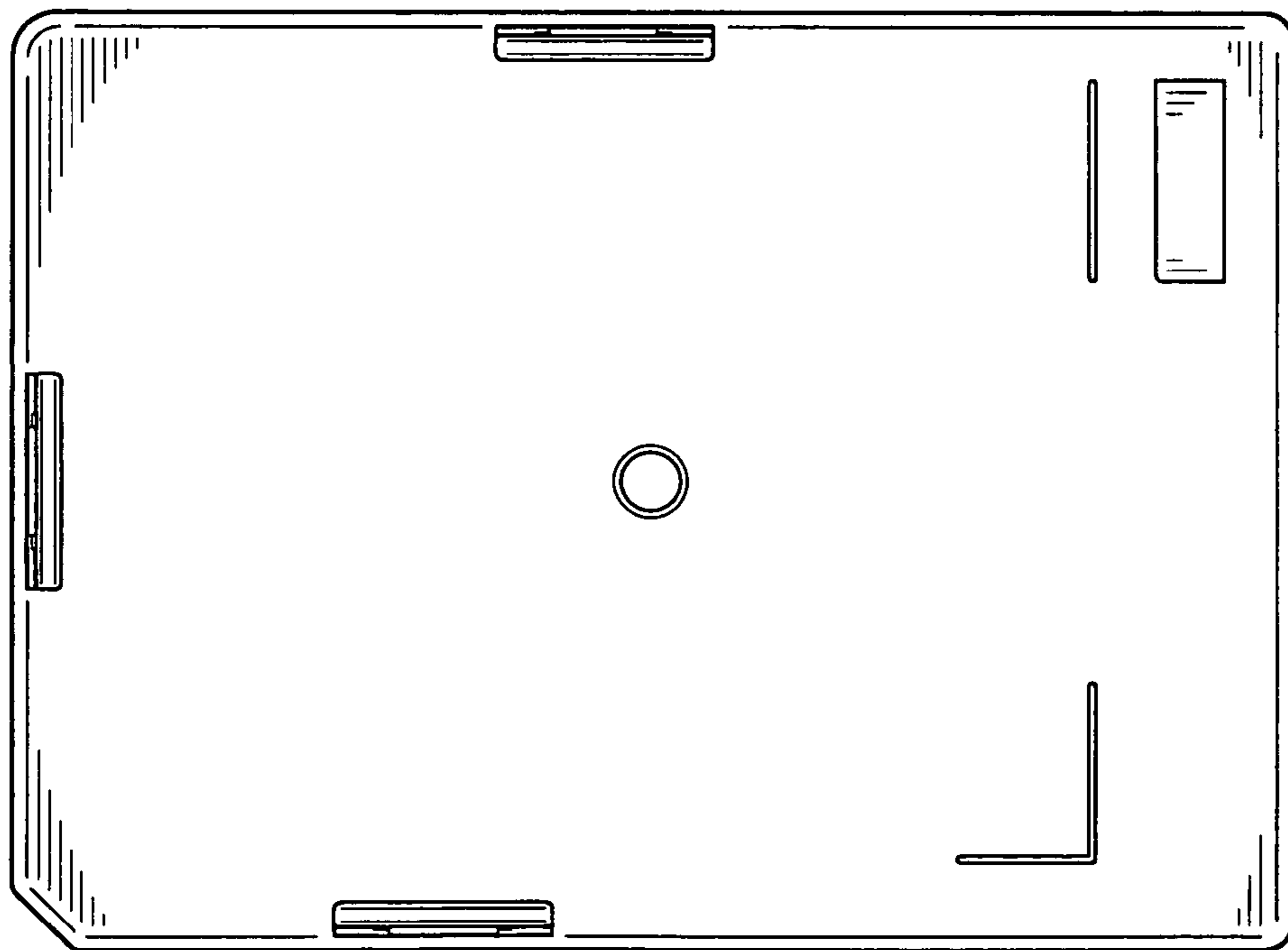


FIG. 8

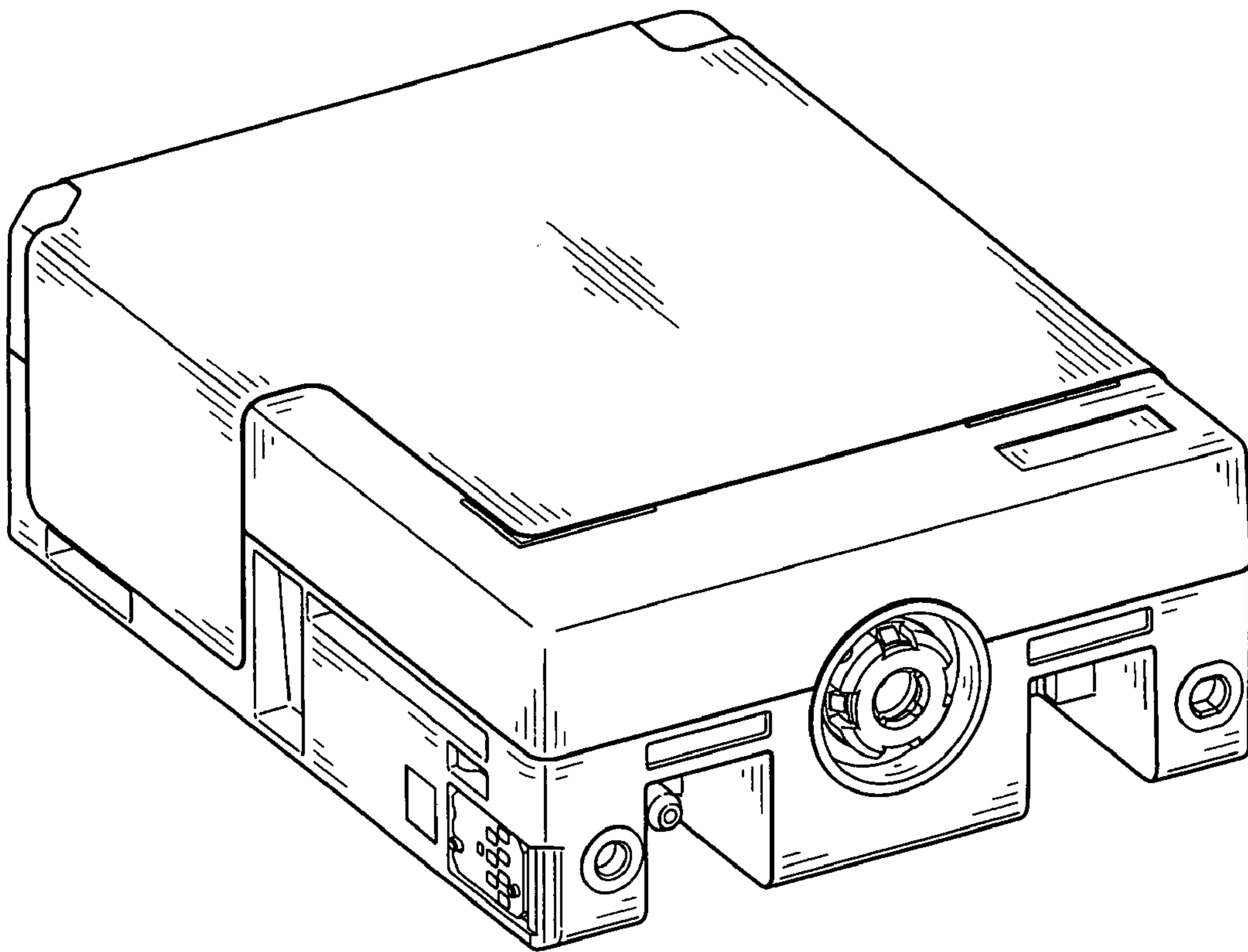


FIG. 9