



US00D571396S

(12) **United States Design Patent**  
**Nip**

(10) **Patent No.:** **US D571,396 S**  
(45) **Date of Patent:** **\*\* Jun. 17, 2008**

(54) **INK CARTRIDGE FOR COMPUTER PRINTER**

(75) Inventor: **Shui Kuen Nip**, North Point (HK)

(73) Assignee: **Powerful Way Limited**, North Point (HK)

(\*\*) Term: **14 Years**

(21) Appl. No.: **29/271,577**

(22) Filed: **Jan. 23, 2007**

(51) **LOC (8) Cl.** ..... **18-02**

(52) **U.S. Cl.** ..... **D18/56; 347/86**

(58) **Field of Classification Search** ..... D18/40,  
D18/43, 56; 347/86-87  
See application file for complete search history.

(56) **References Cited**

**U.S. PATENT DOCUMENTS**

D439,925	S *	4/2001	Santhanam et al.	.....	D18/56
6,227,663	B1 *	5/2001	Santhanam et al.	.....	347/87
6,290,346	B1 *	9/2001	Santhanam et al.	.....	347/86
D457,184	S *	5/2002	Boyd et al.	.....	D18/56
D466,928	S *	12/2002	Boyd et al.	.....	D18/56
6,543,878	B2 *	4/2003	Xu et al.	.....	347/87
D529,084	S *	9/2006	Myers et al.	.....	D18/56

D534,582	S *	1/2007	Tajima et al.	.....	D18/56
D535,688	S *	1/2007	Tajima et al.	.....	D18/56
2005/0093943	A1 *	5/2005	O'Hara et al.	.....	347/86
2005/0128262	A1 *	6/2005	Studer et al.	.....	347/86
2006/0132561	A1 *	6/2006	Anderson et al.	.....	347/86

\* cited by examiner

*Primary Examiner*—Cathy Anne MacCormac  
(74) *Attorney, Agent, or Firm*—Rabin & Berdo, P.C.

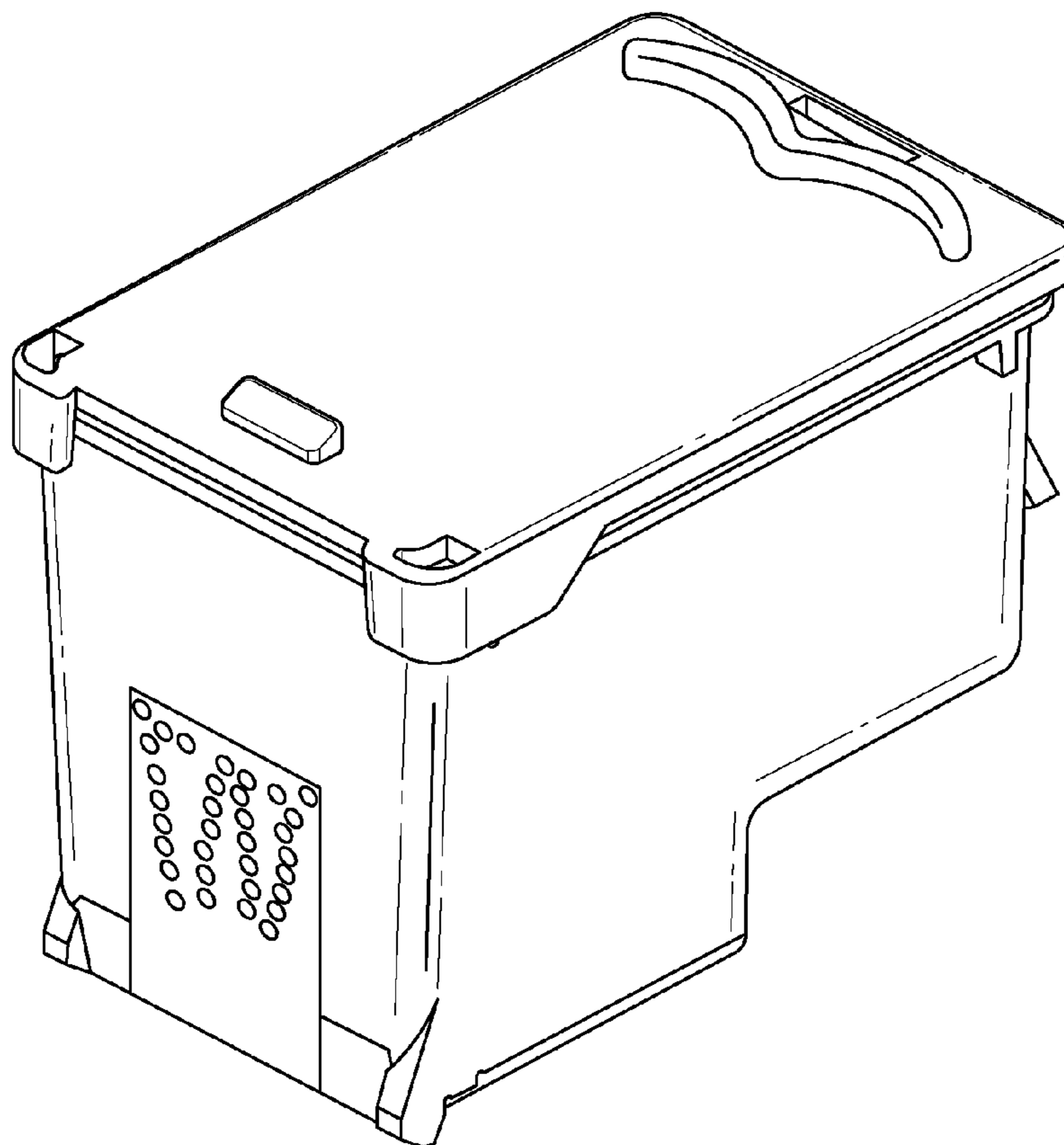
(57) **CLAIM**

The ornamental design for an ink cartridge for computer printer, as shown and described.

**DESCRIPTION**

FIG. 1 is a perspective view of an ink cartridge for computer printer showing my new design;  
FIG. 2 a front view of thereof;  
FIG. 3 is a rear view thereof;  
FIG. 4 is a top view thereof;  
FIG. 5 is a left side view thereof;  
FIG. 6 is a right view thereof; and,  
FIG. 7 is a bottom view thereof.

**1 Claim, 4 Drawing Sheets**



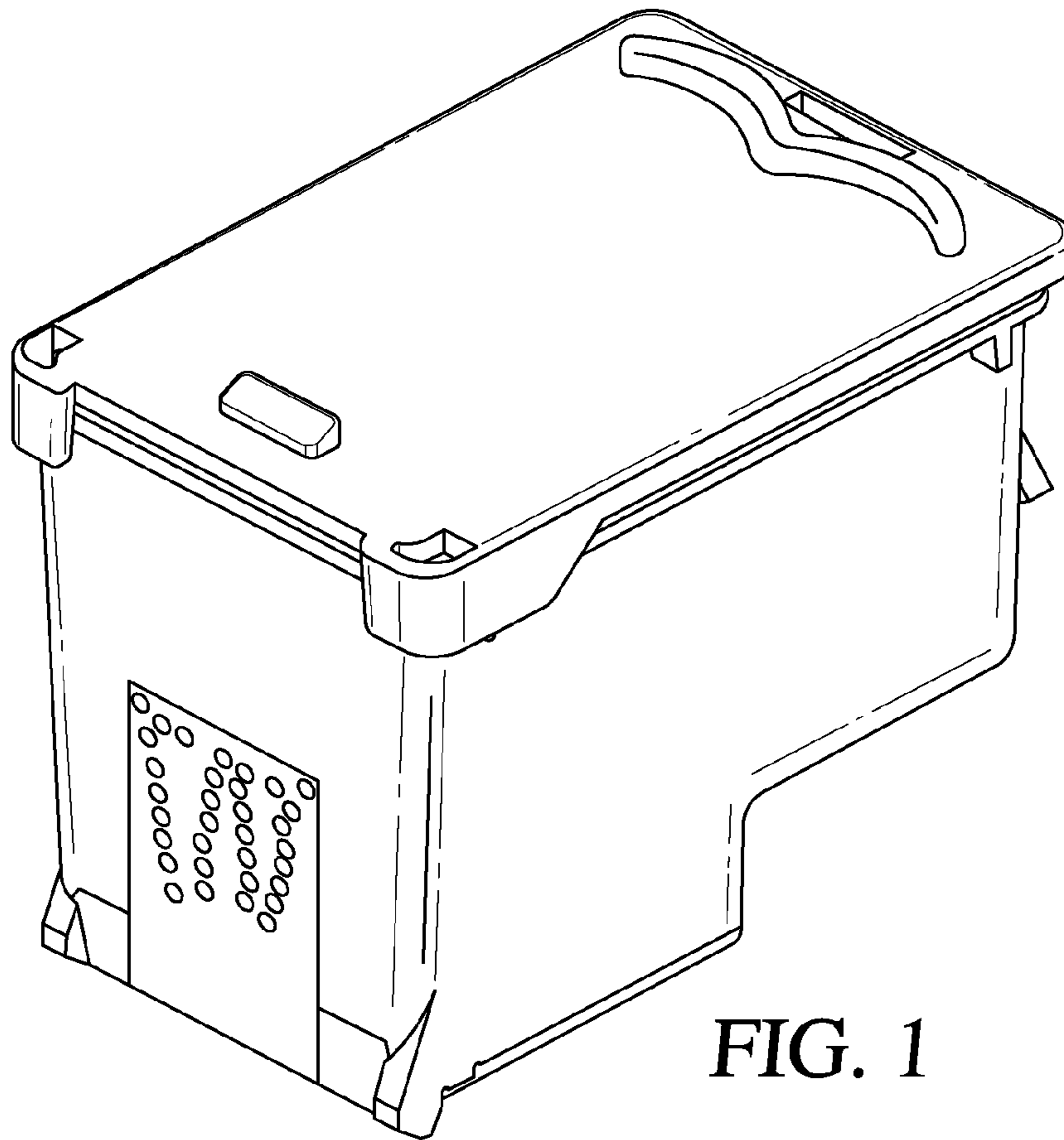


FIG. 1

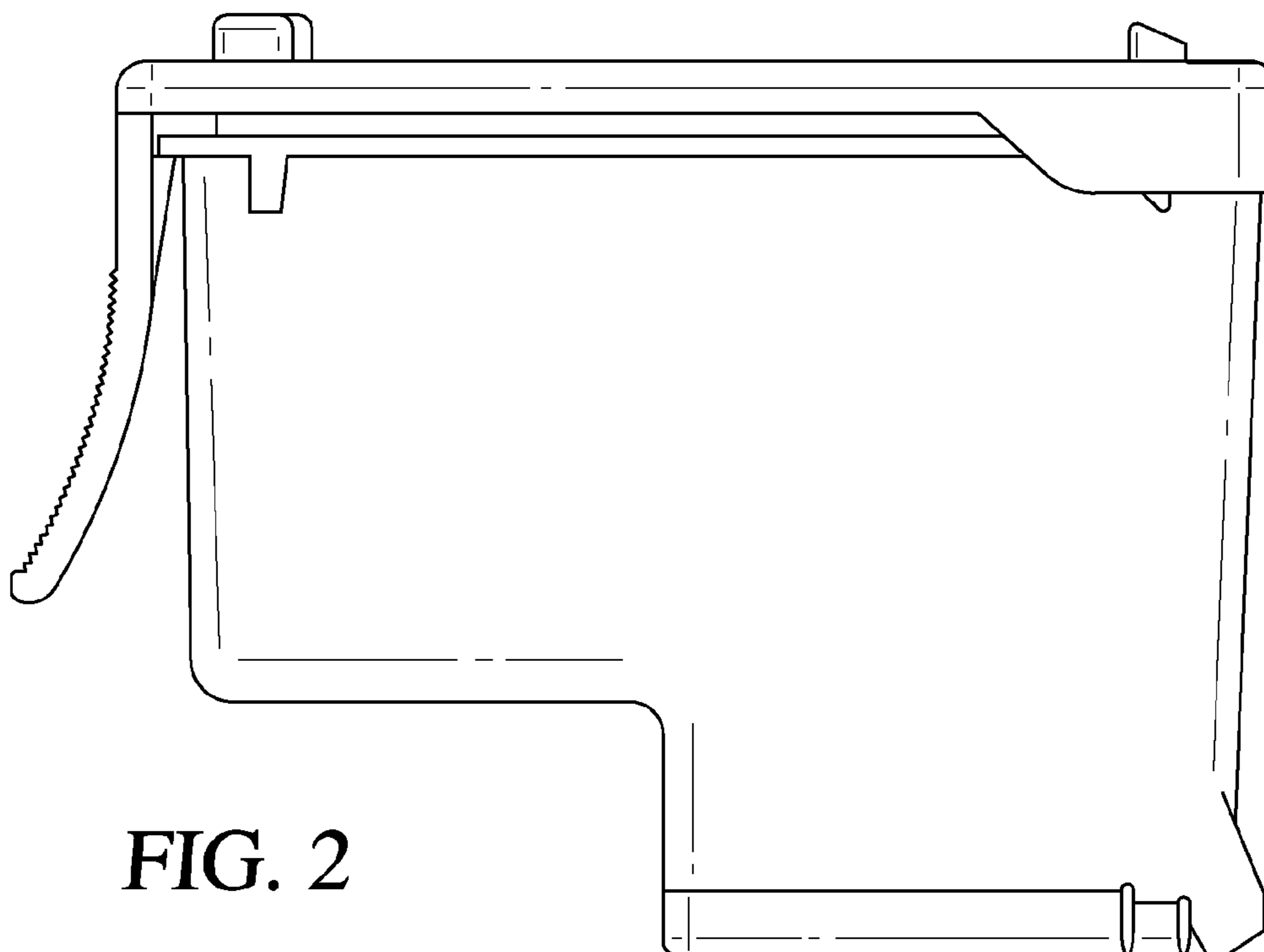


FIG. 2

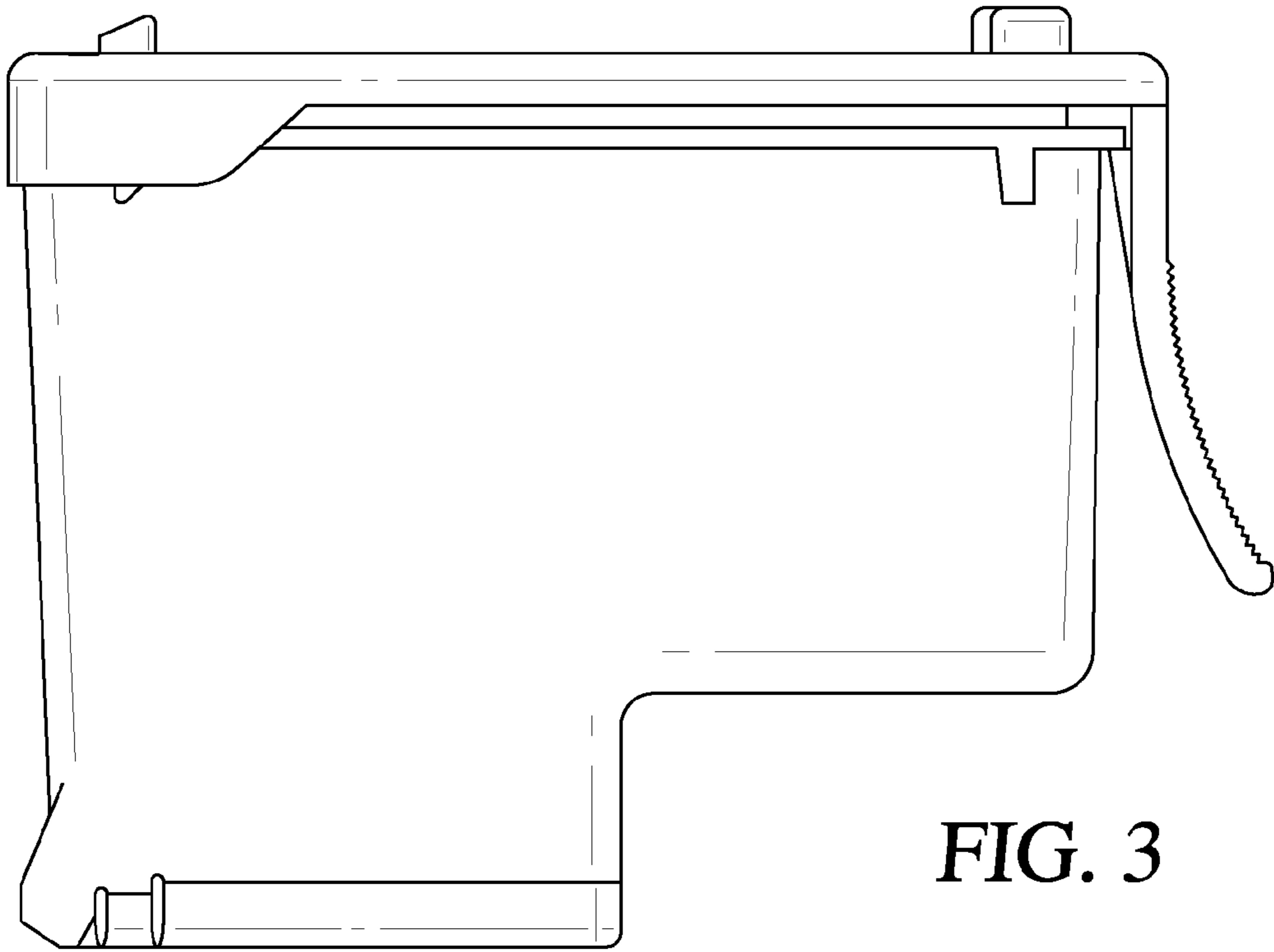


FIG. 3

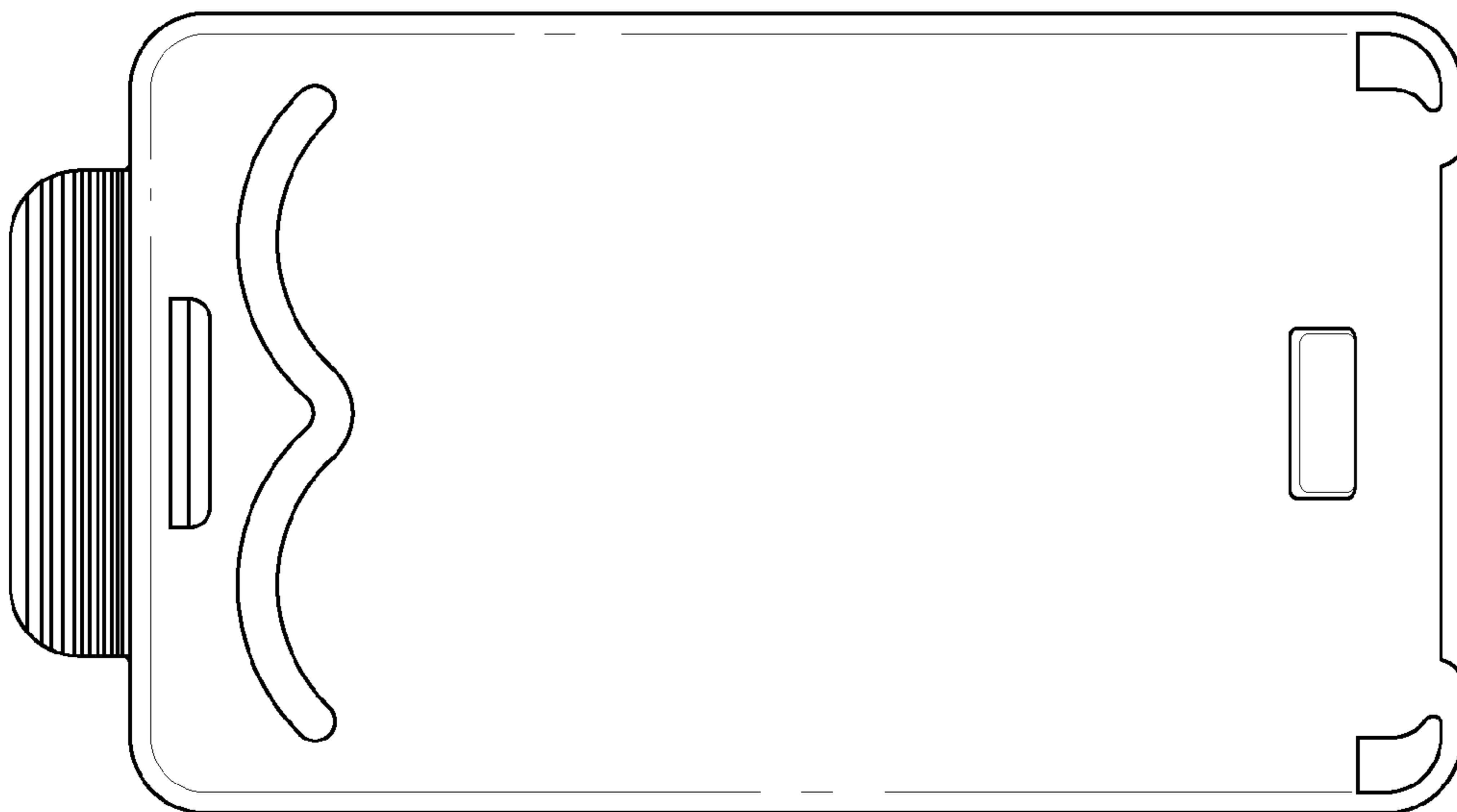


FIG. 4

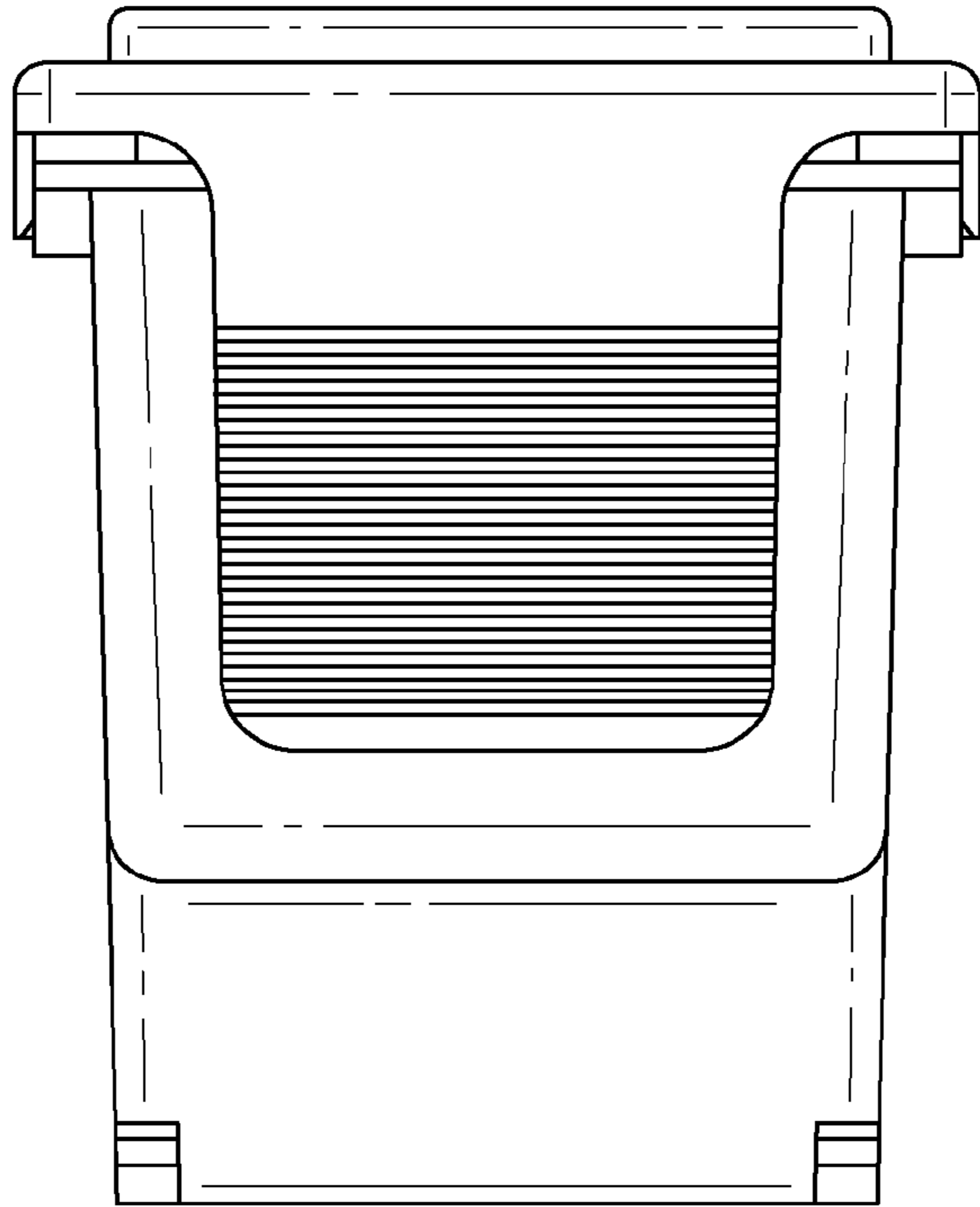


FIG. 5

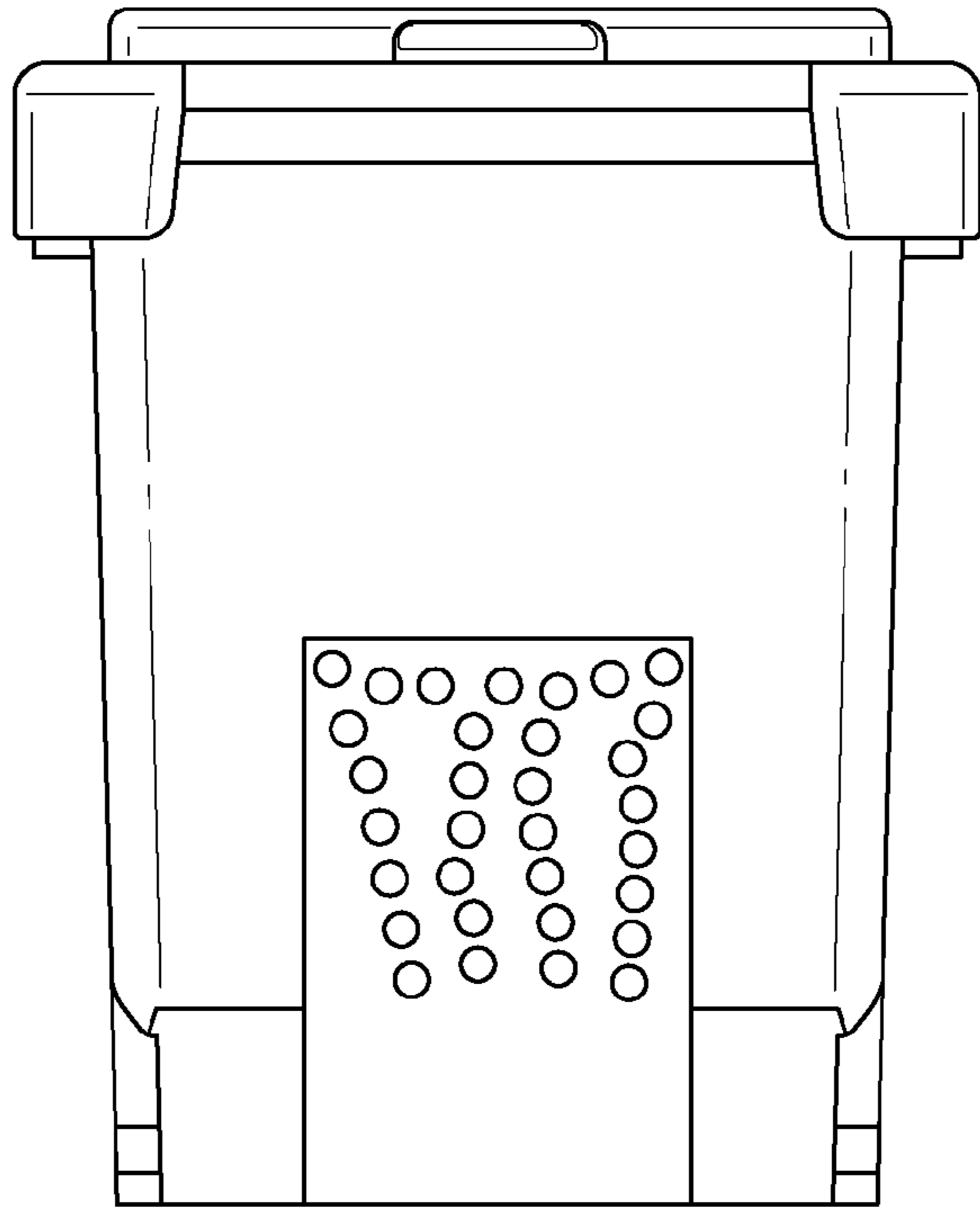


FIG. 6

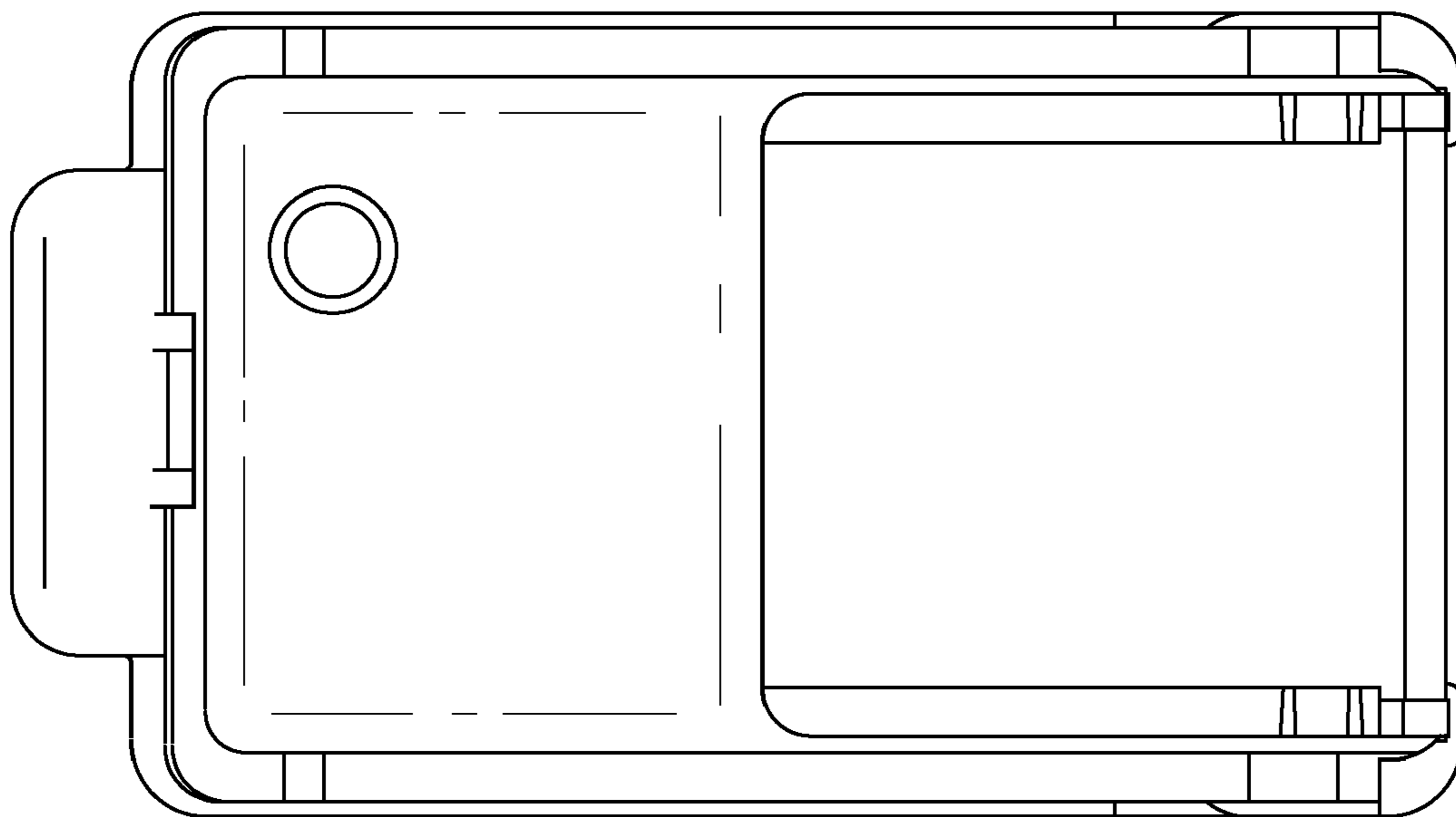


FIG. 7