



US00D571395S

(12) **United States Design Patent**
Katayama et al.

(10) **Patent No.:** **US D571,395 S**
(45) **Date of Patent:** **** Jun. 17, 2008**

(54) **PRINTER**

(75) Inventors: **Shigeharu Katayama**, Kakamigahara (JP); **Yasutake Yamaguchi**, Chiryu (JP); **Yousuke Mase**, Chita-gun (JP); **Shinji Kojima**, Nagoya (JP)

(73) Assignee: **Brother Industries, Ltd.**, Nagoya (JP)

(**) Term: **14 Years**

(21) Appl. No.: **29/225,708**

(22) Filed: **Mar. 21, 2005**

(30) **Foreign Application Priority Data**

Sep. 30, 2004 (JP) 2004-029831

(51) **LOC (8) Cl.** **18-02**

(52) **U.S. Cl.** **D18/56**

(58) **Field of Classification Search** D18/56,
D18/55, 50, 4, 3, 12.3, 43, 44, 46-49, 14,
D18/18, 21, 51, 54, 54.1, 58, 34.1, 34.9, 35,
D18/35.1, 99; D9/435; D16/246-248, 237;
D14/420-425, 462-470; 399/107; D11/217
See application file for complete search history.

(56) **References Cited**

U.S. PATENT DOCUMENTS

D60,849 S * 4/1922 Buchsbaum D11/217
D70,891 S * 8/1926 Ormsbee D11/217
D223,672 S * 5/1972 Sjolholm D14/130
4,028,654 A * 6/1977 Bullard et al. 336/92
D267,703 S * 1/1983 Chase et al. D9/435
D274,059 S * 5/1984 Hall et al. D14/130
D287,803 S * 1/1987 Daenen et al. D7/392.1
D289,262 S * 4/1987 Goetz et al. D9/420
D305,086 S * 12/1989 Stewart D7/545
D305,393 S * 1/1990 Stewart D7/360
D320,023 S * 9/1991 Gault D14/299
D353,286 S * 12/1994 Hand D6/480
D355,190 S * 2/1995 Folkes et al. D14/149
D380,758 S * 7/1997 Zeitman D14/194
D401,017 S * 11/1998 Thorpe D28/78

D410,620 S * 6/1999 Sacco et al. D12/415
D429,640 S * 8/2000 Nielsen et al. D9/435
D437,312 S * 2/2001 Gorman D14/240
D480,418 S * 10/2003 Evers D18/55
D481,698 S * 11/2003 Yamada et al. D14/149
D487,870 S * 3/2004 Stewart et al. D9/782
D492,719 S * 7/2004 Schmitt et al. D18/50
D494,215 S * 8/2004 Evers D18/55
D498,525 S * 11/2004 Harbutt et al. D23/366
D512,697 S * 12/2005 Enns et al. D13/184
D517,110 S * 3/2006 Tanaka D16/237
D518,265 S * 3/2006 Prokop et al. D32/53.1
D519,101 S * 4/2006 Alwicker et al. D14/188
D519,151 S * 4/2006 Tashiro D18/54
D524,363 S * 7/2006 Katayama D18/54
D530,717 S * 10/2006 Mori et al. D14/434
D537,678 S * 3/2007 Glander et al. D7/554.3
D544,907 S * 6/2007 Tjin Wong Joe et al. D18/55
D547,330 S * 7/2007 Lee et al. D14/496
D557,319 S * 12/2007 Schoenert et al. D16/235
D558,790 S * 1/2008 Yu et al. D14/496
2004/0135932 A1 * 7/2004 Kuen 349/58
2005/0006266 A1 * 1/2005 Kurikawa 206/455
2006/0222402 A1 * 10/2006 Sato et al. 399/111

* cited by examiner

Primary Examiner—Robert M. Spear

Assistant Examiner—Ania K Dworzecka

(74) *Attorney, Agent, or Firm*—Oloff & Berridge, PLC

(57) **CLAIM**

The ornamental design for a printer, as shown and described.

DESCRIPTION

FIG. 1 is a perspective view of a printer;

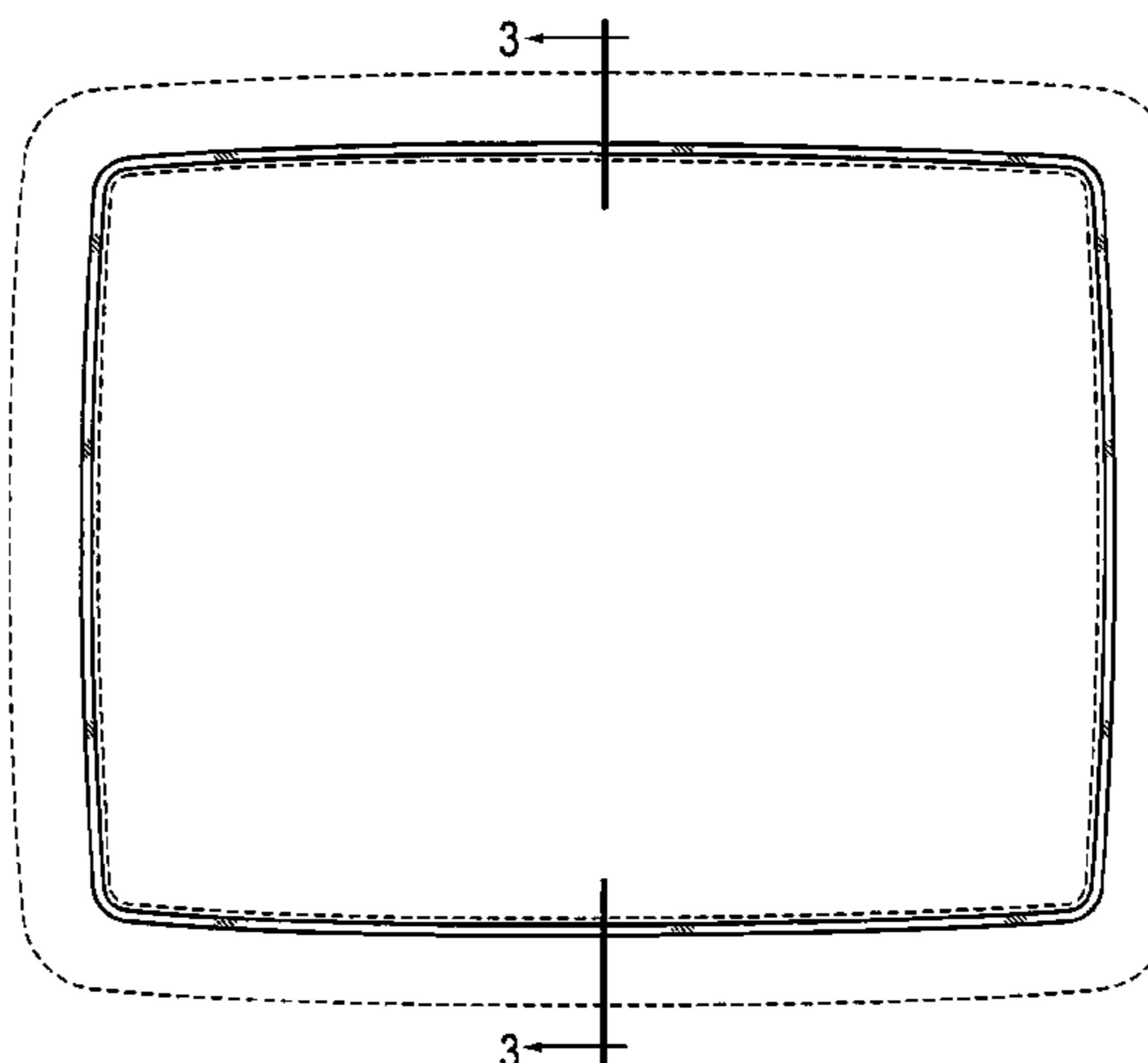
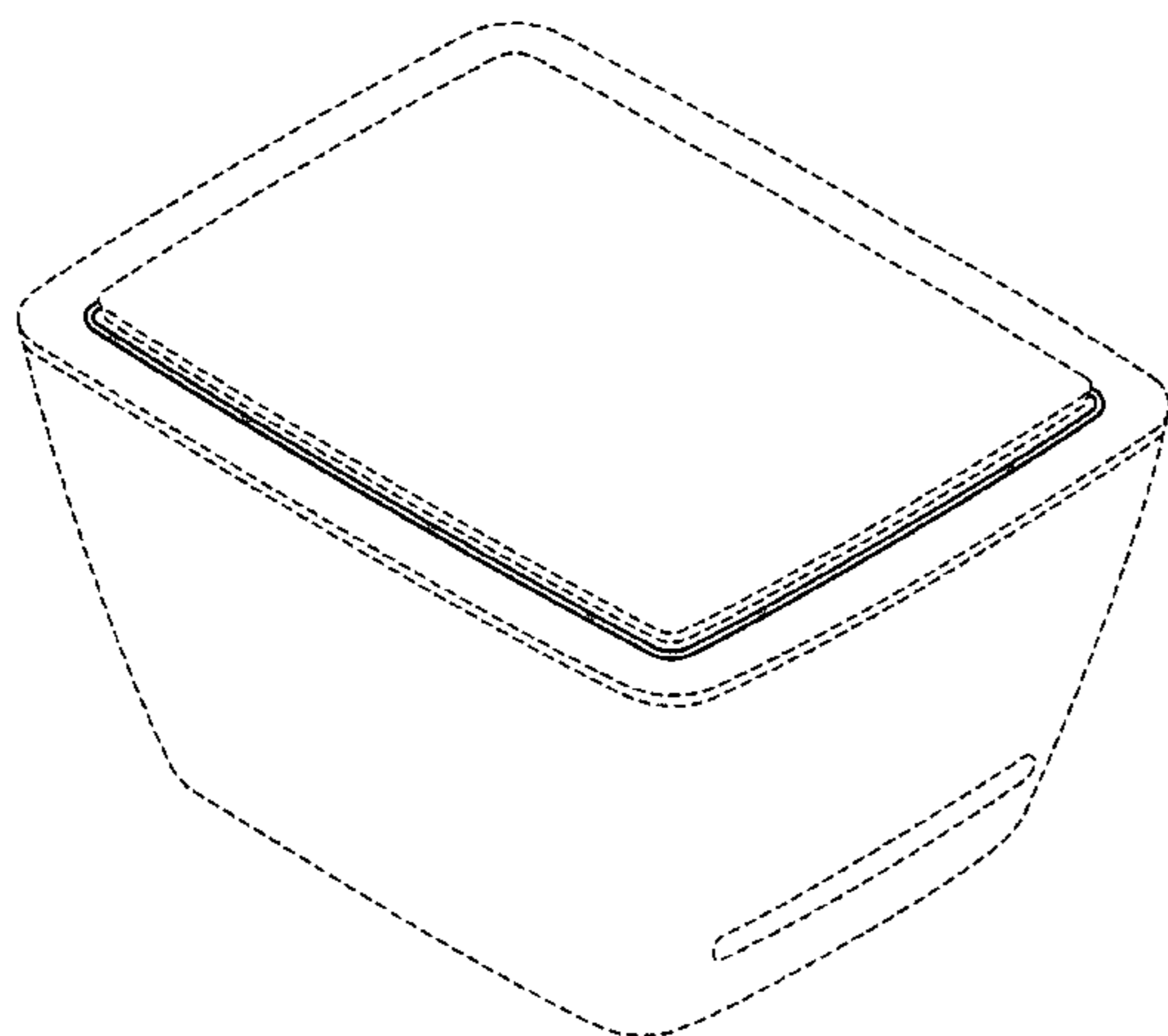
FIG. 2 is a top view thereof;

FIG. 3 is a cross-sectional view taken along the lines 3—3 of FIG. 2; and,

FIG. 4 is an enlarged view taken within the circle 4 of FIG. 3.

The broken lines are for illustrative purposes and form no part of the claimed design.

1 Claim, 3 Drawing Sheets



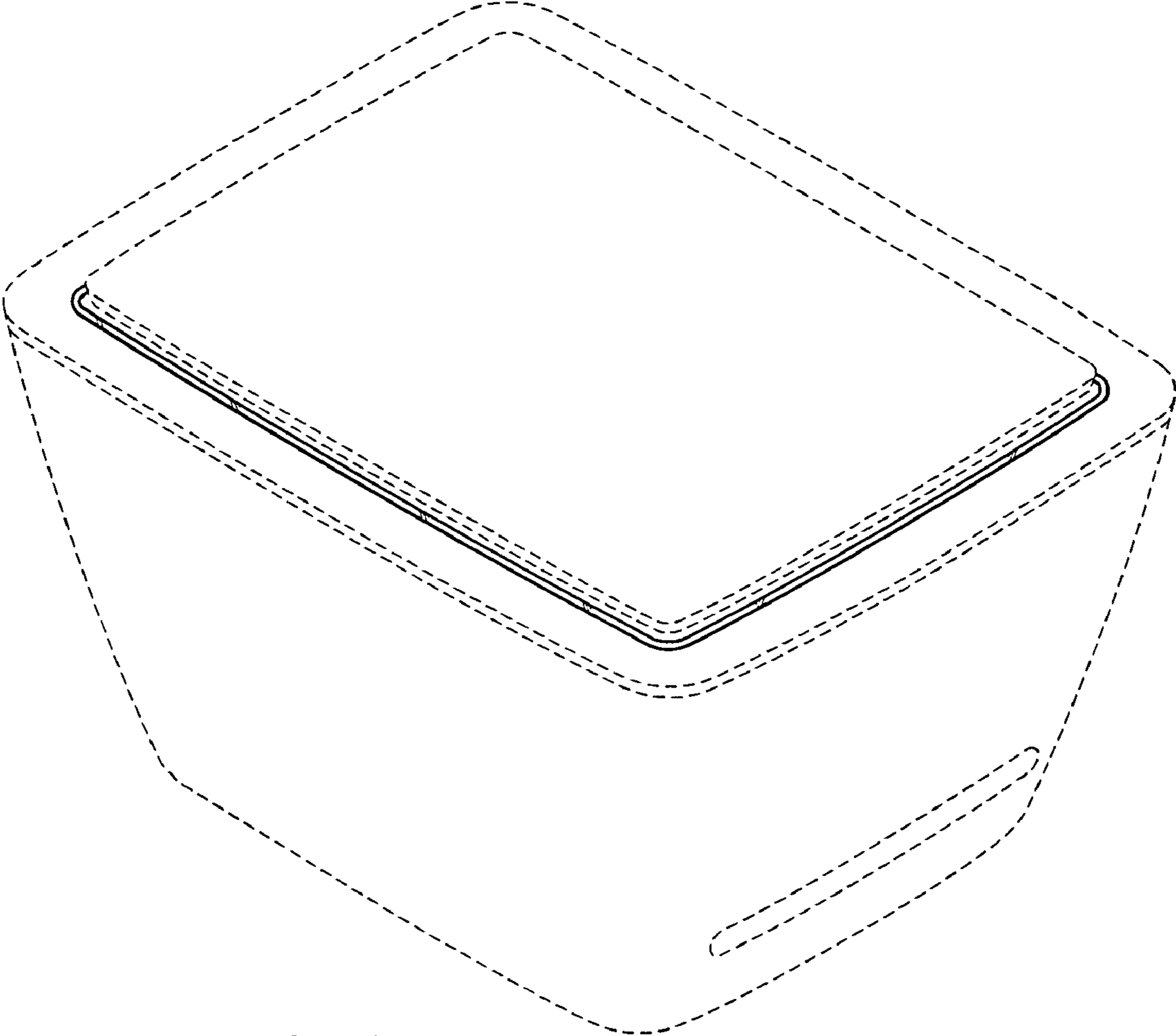


FIG. 1

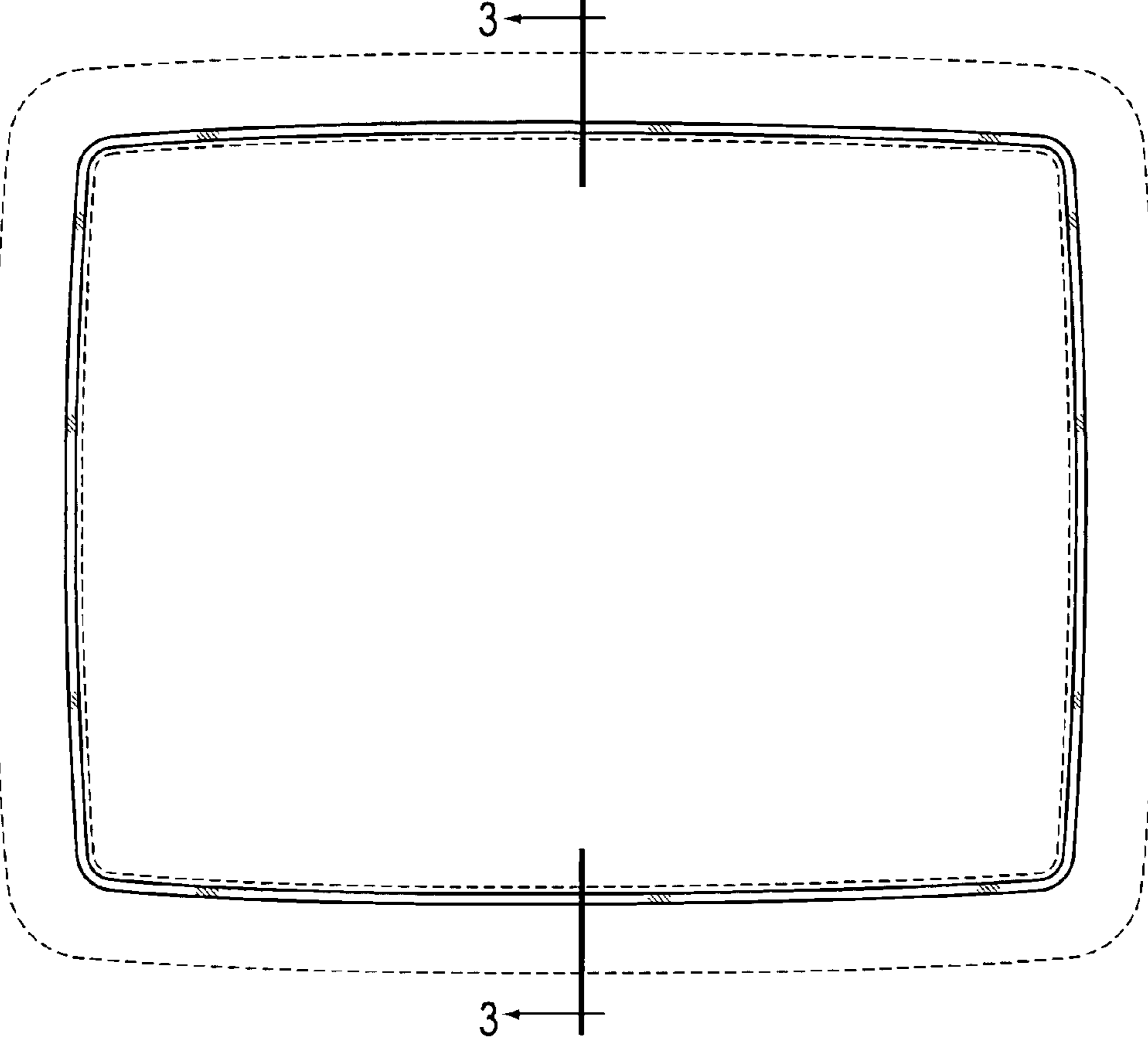


FIG. 2

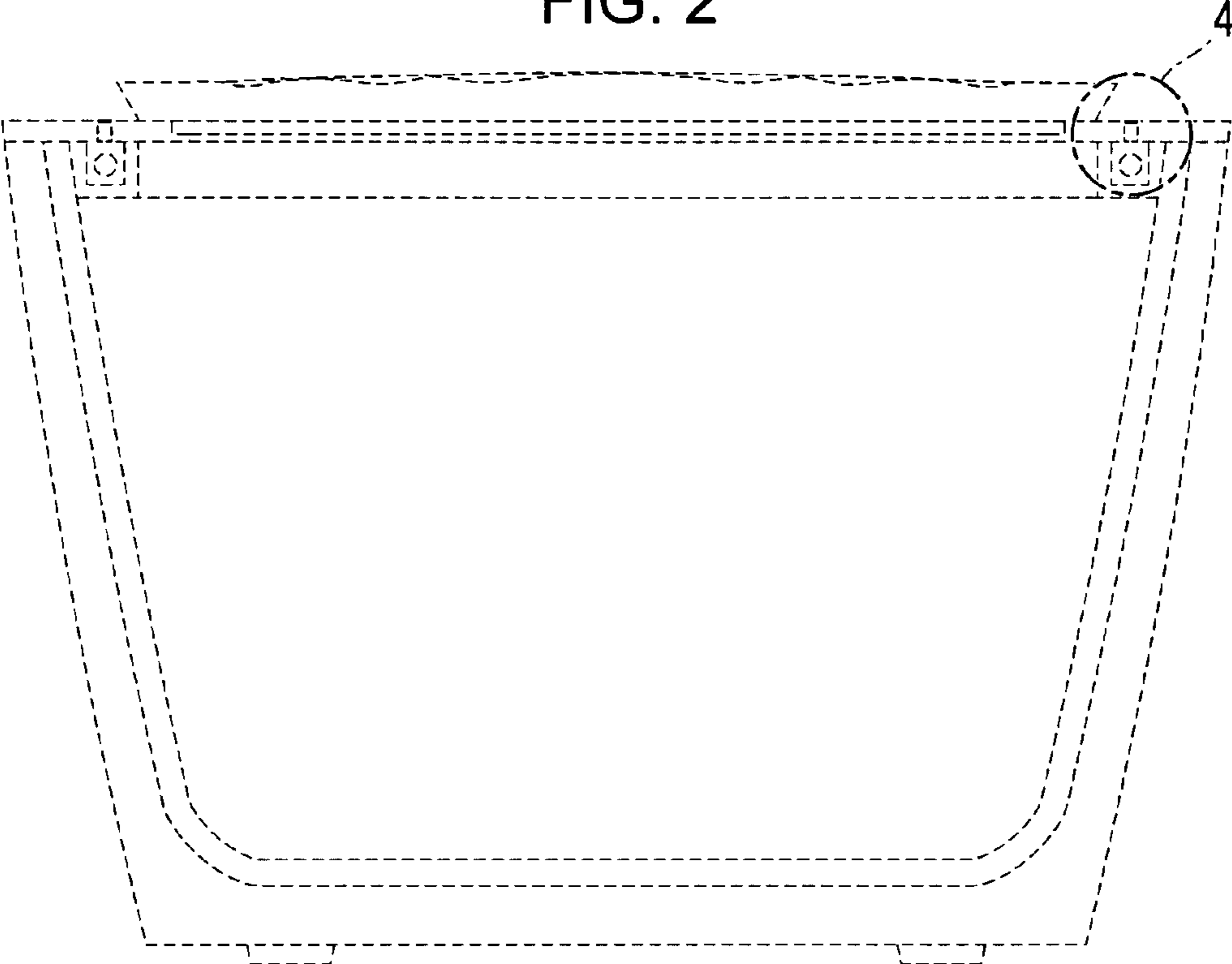


FIG. 3

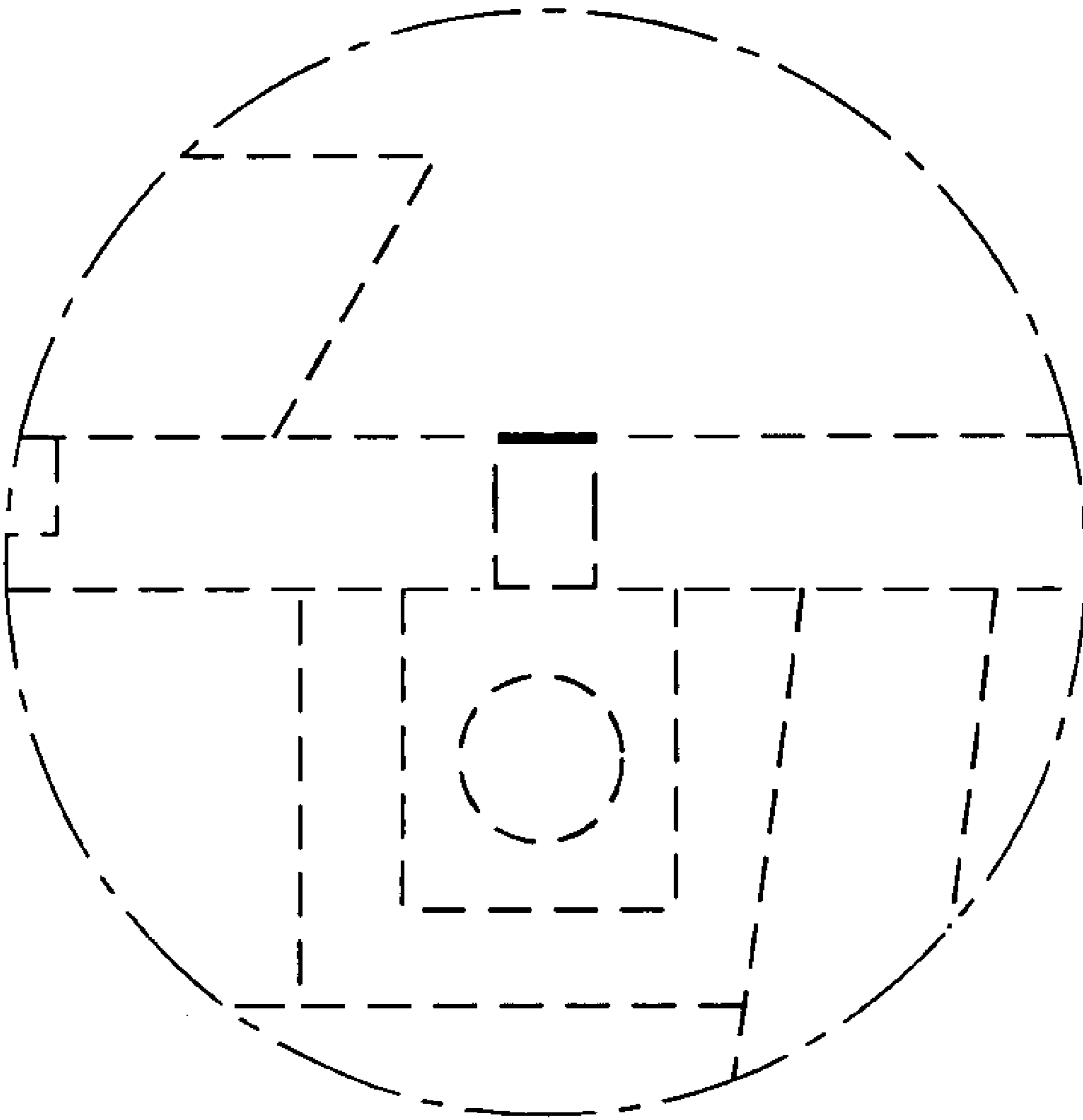


FIG. 4