

US00D571394S

(12) **United States Design Patent**
Lin

(10) **Patent No.:** **US D571,394 S**
(45) **Date of Patent:** **** Jun. 17, 2008**

(54) **TONER CARTRIDGE**
(75) Inventor: **Long Lin**, Guangdong (CN)
(73) Assignee: **Print-Rite Technology Development Co., Ltd. of Zhuhai**, Zhuhai, Guangdong (CN)
(**) Term: **14 Years**
(21) Appl. No.: **29/259,469**
(22) Filed: **May 9, 2006**

(30) **Foreign Application Priority Data**
Nov. 9, 2005 (CN) 2005 3 0147885

(51) **LOC (8) Cl.** **16-03**
(52) **U.S. Cl.** **D18/43**
(58) **Field of Classification Search** D14/462, D14/469-471; D18/12, 46, 40, 43, 44, 56; 222/DIG. 1; 347/197, 222; 399/24-28, 399/107-112, 119, 121, 122, 222-224; 400/207, 400/208
See application file for complete search history.

(56) **References Cited**
U.S. PATENT DOCUMENTS
D364,418 S * 11/1995 Hagiwara et al. D18/43
5,499,077 A 3/1996 Endo et al.
5,557,368 A 9/1996 Endo et al.
5,568,237 A 10/1996 Ishida et al.
5,630,198 A 5/1997 Makino
D381,677 S 7/1997 Makino
5,678,147 A 10/1997 Makino

5,697,014 A 12/1997 Makino
D394,083 S * 5/1998 Jyoroku D18/43
5,761,585 A 6/1998 Makino
5,771,427 A 6/1998 Makino
D398,634 S * 9/1998 Katayama et al. D18/43
5,890,034 A 3/1999 Nakano et al.
D408,845 S * 4/1999 Harumoto D18/43
5,913,097 A 6/1999 Nakano et al.
5,970,293 A * 10/1999 Huang 222/DIG. 1
D448,795 S * 10/2001 Kusanagi et al. D18/43
7,088,930 B2 * 8/2006 Mimura 399/27

* cited by examiner

Primary Examiner—Caron D. Veynar
Assistant Examiner—Garth Rademaker
(74) *Attorney, Agent, or Firm*—Fay Sharpe LLP

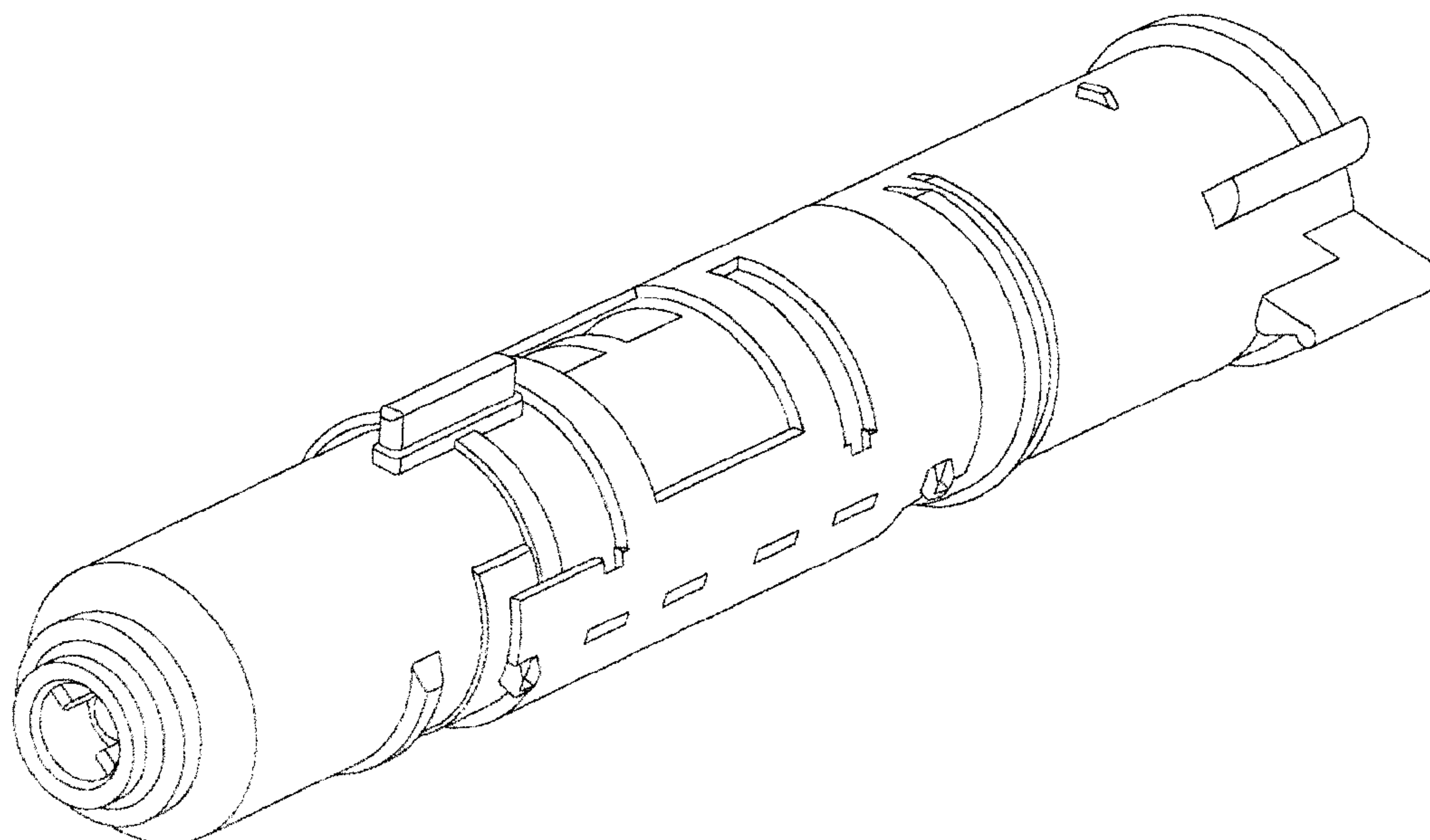
(57) **CLAIM**

The ornamental design for a toner cartridge, as shown and described.

DESCRIPTION

FIG. 1 is a bottom plan view of a toner cartridge in accordance with the present invention.
FIG. 2 is a front view thereof;
FIG. 3 is a right side view thereof;
FIG. 4 is a left side view thereof;
FIG. 5 is a top plan view thereof;
FIG. 6 is a rear view thereof; and,
FIG. 7 is a perspective view thereof.

1 Claim, 2 Drawing Sheets



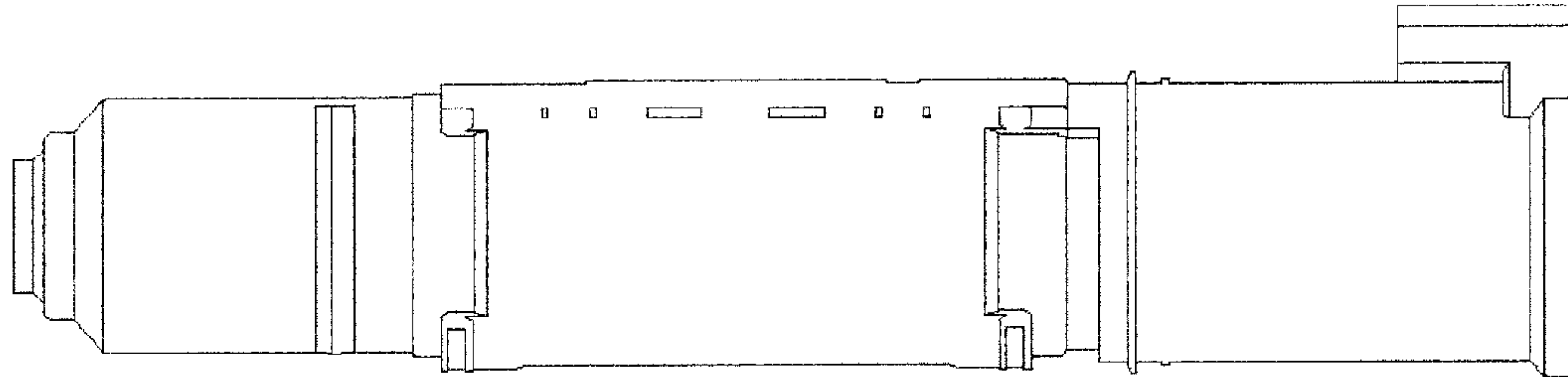


FIG. 1

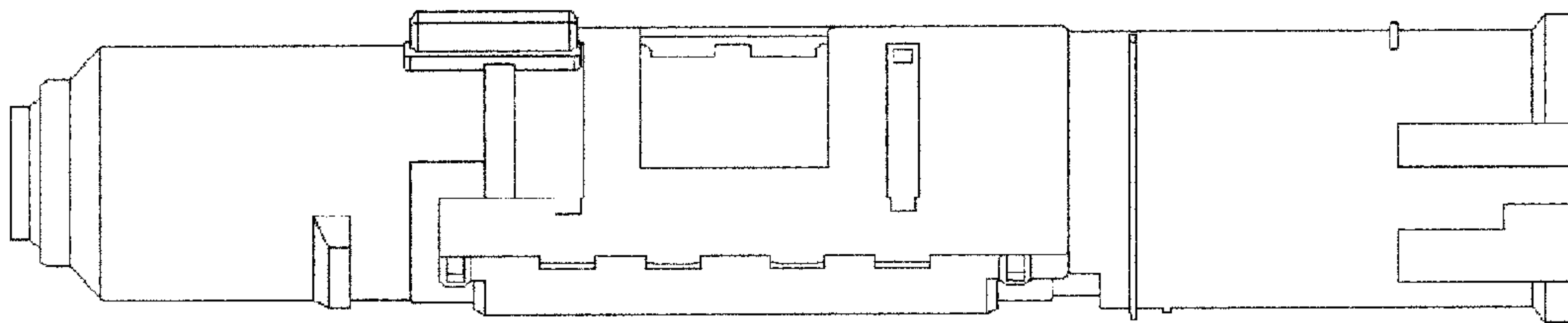


FIG. 2

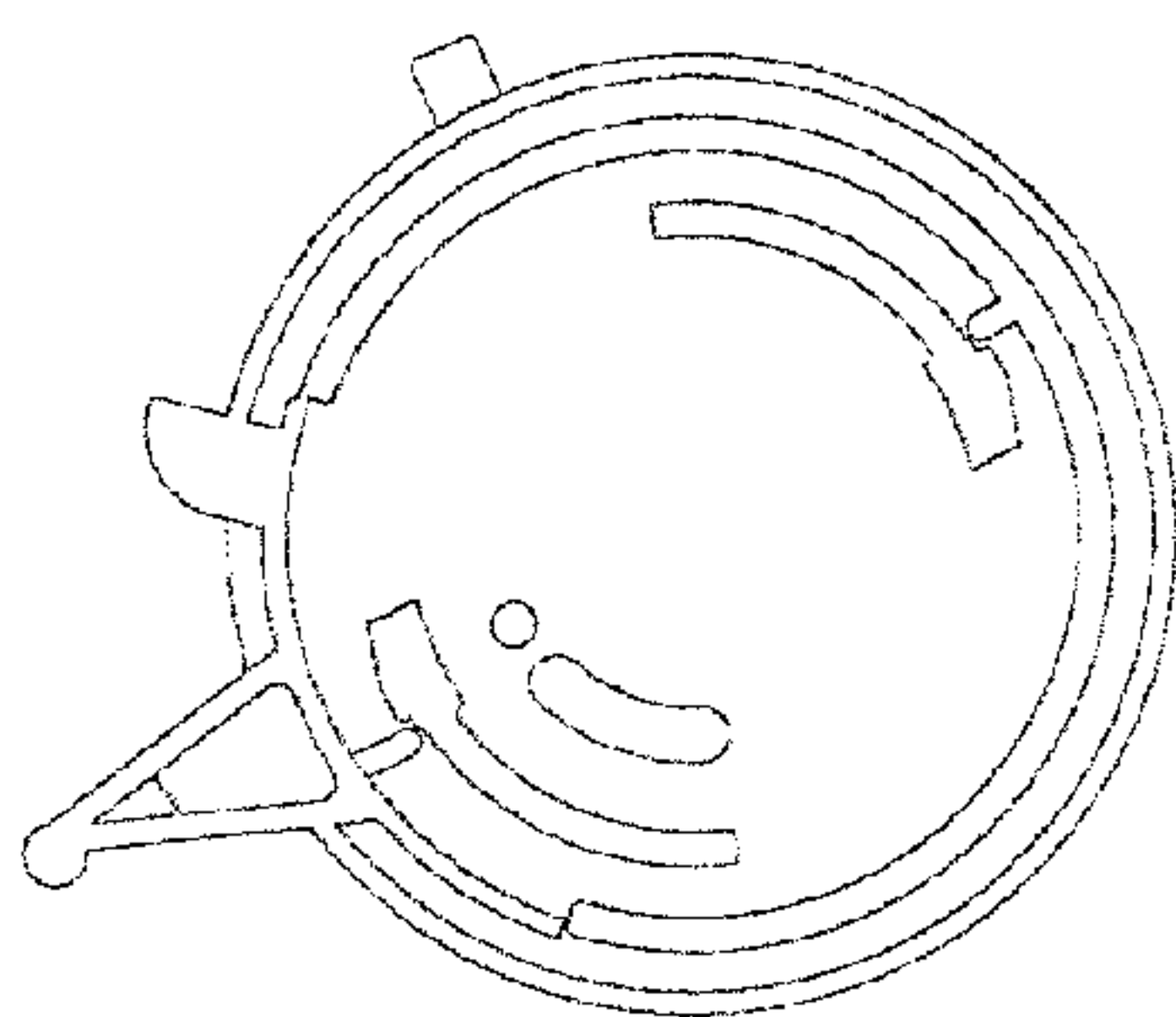


FIG. 3

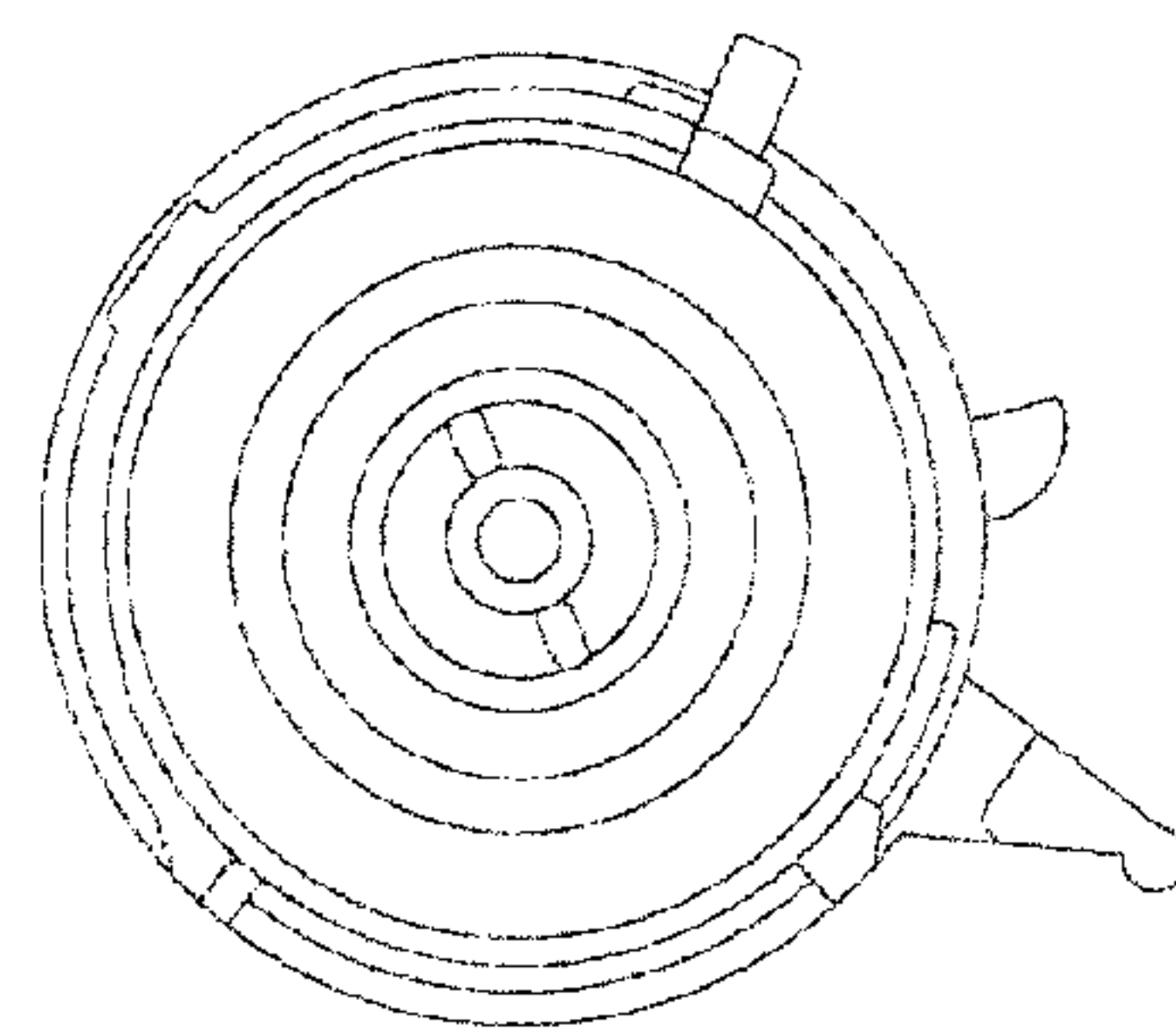


FIG. 4

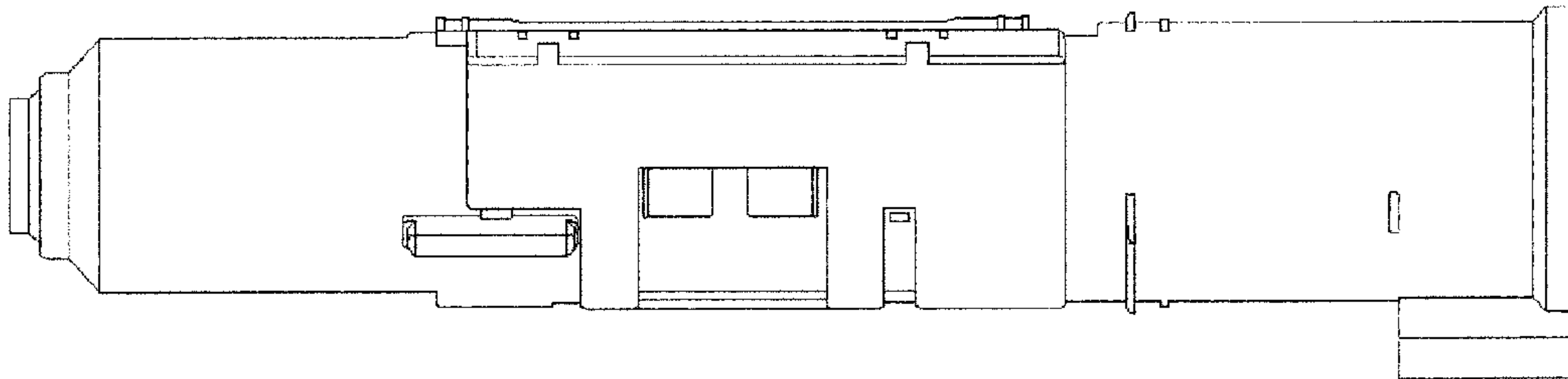


FIG. 5

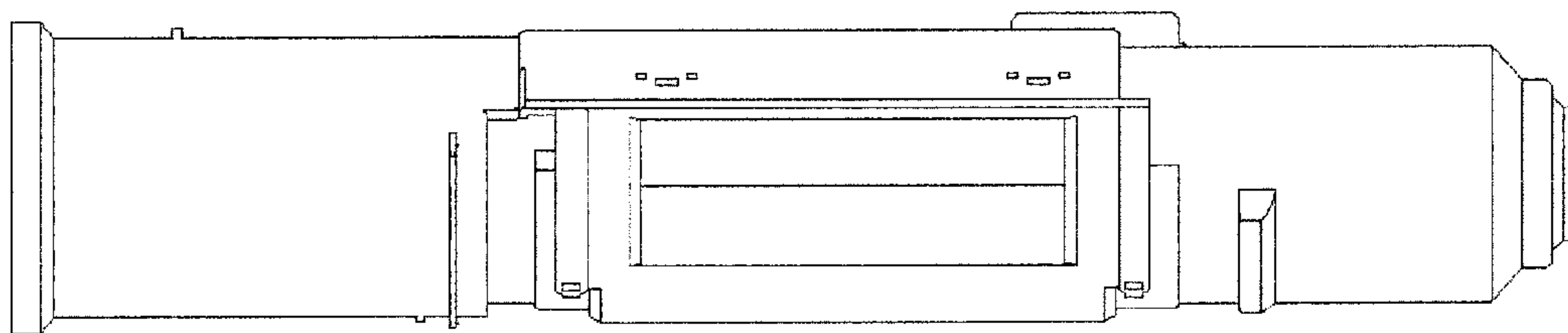


FIG. 6

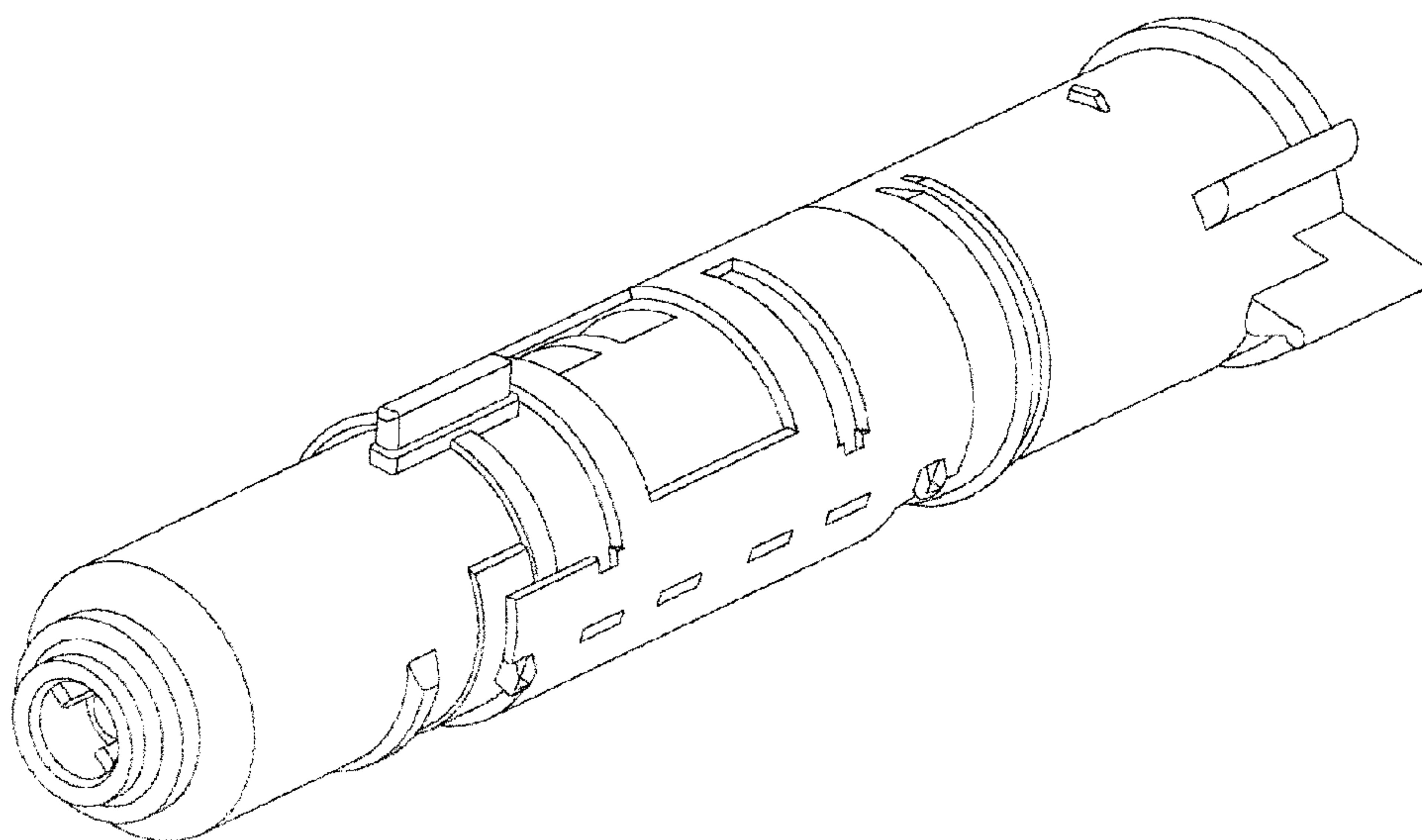


FIG. 7