

US00D571389S

(12) **United States Design Patent**
Naito

(10) **Patent No.:** **US D571,389 S**
(45) **Date of Patent:** **** Jun. 17, 2008**

(54) **PORTION OF A DIGITAL CAMERA**

(75) Inventor: **Yoshitaka Naito**, Ome (JP)

(73) Assignee: **Olympus Imaging Corp.**, Tokyo (JP)

(**) Term: **14 Years**

(21) Appl. No.: **29/282,099**

(22) Filed: **Jul. 11, 2007**

Related U.S. Application Data

(62) Division of application No. 29/245,718, filed on Dec. 28, 2005, now Pat. No. Des. 560,703.

(51) **LOC (8) Cl.** **16-01**

(52) **U.S. Cl.** **D16/219**

(58) **Field of Classification Search** D16/200–204,
D16/208, 209, 218, 219; 348/373–376; 358/909.1;
396/535–541

See application file for complete search history.

(56) **References Cited**

U.S. PATENT DOCUMENTS

D373,593 S	9/1996	Hiroko et al.	D16/203
D438,883 S	3/2001	Ishibashi et al.	D16/219
D496,956 S	10/2004	Wani	D16/219
D501,497 S	2/2005	Hayamizu	D16/219
D513,029 S	12/2005	Zernov	D16/204
D518,499 S *	4/2006	Iue	D16/219
D519,141 S	4/2006	Hayashi	D16/202
D522,560 S	6/2006	Inaba	D16/219

D529,064 S	9/2006	Badalian	D16/203
D548,255 S *	8/2007	Naito	D16/202
D557,315 S *	12/2007	Imai	D16/219
D559,294 S *	1/2008	Hibi	D16/219
D559,297 S *	1/2008	Nakamura	D16/219
2006/0050174 A1 *	3/2006	Hsieh	348/373
2006/0139457 A1 *	6/2006	Liao	348/373

* cited by examiner

Primary Examiner—Adir Aronovich

(74) *Attorney, Agent, or Firm*—Hogan & Hartson LLP

(57) **CLAIM**

The ornamental design for a portion of a digital camera, as shown and described.

DESCRIPTION

FIG. 1 is a front, top and right side perspective view of a portion of a digital camera showing my new design

FIG. 2 is a rear, top and left side perspective view thereof;

FIG. 3 is a top plan view thereof,

FIG. 4 is a front elevations view thereof;

FIG. 5 is a bottom plan view thereof;

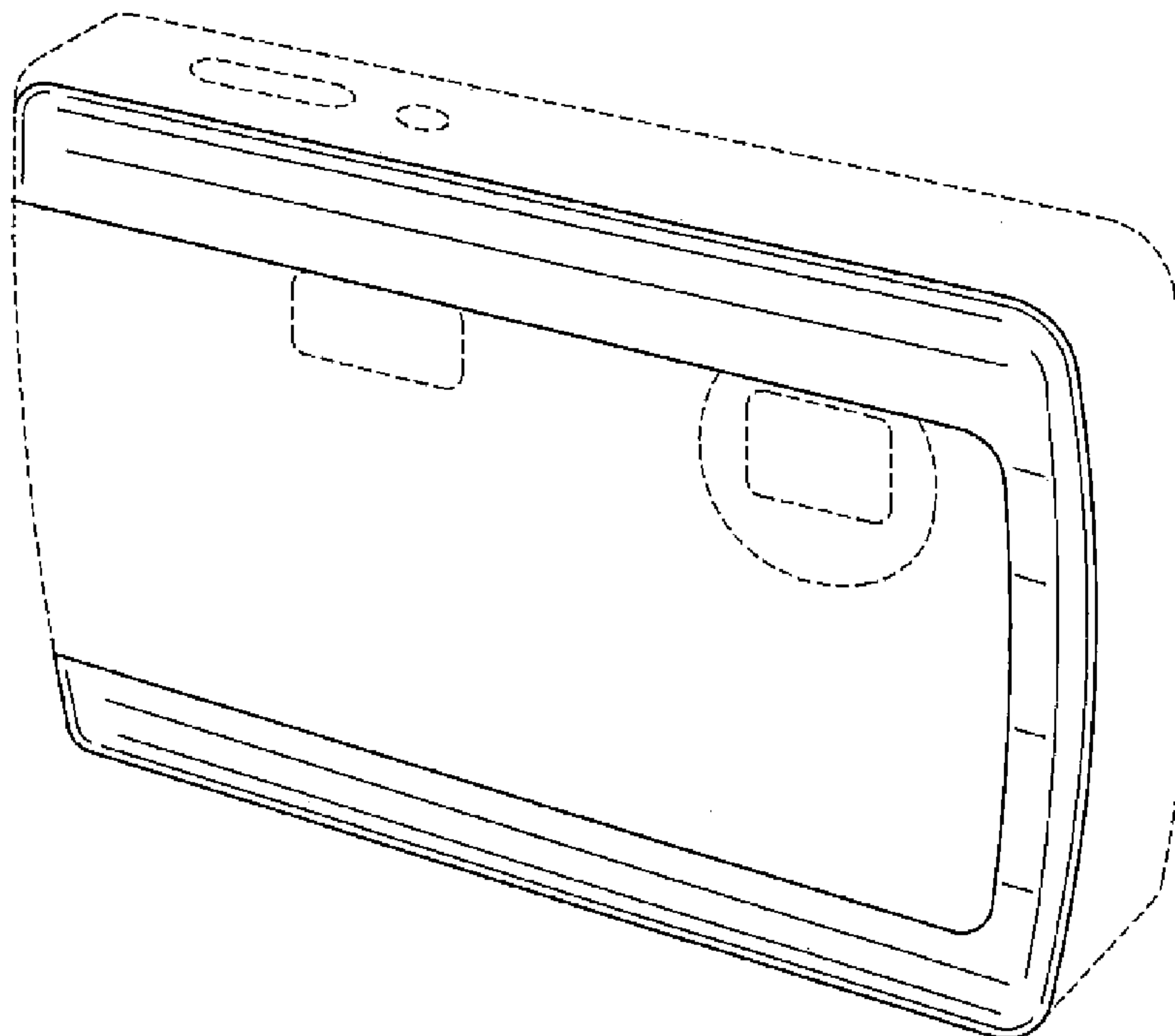
FIG. 6 is a rear elevational view thereof;

FIG. 7 is a left side elevational view thereof; and,

FIG. 8 is a right side elevational view thereof.

The broken lines are for illustrative purposes only and form no part of the claimed design.

1 Claim, 4 Drawing Sheets



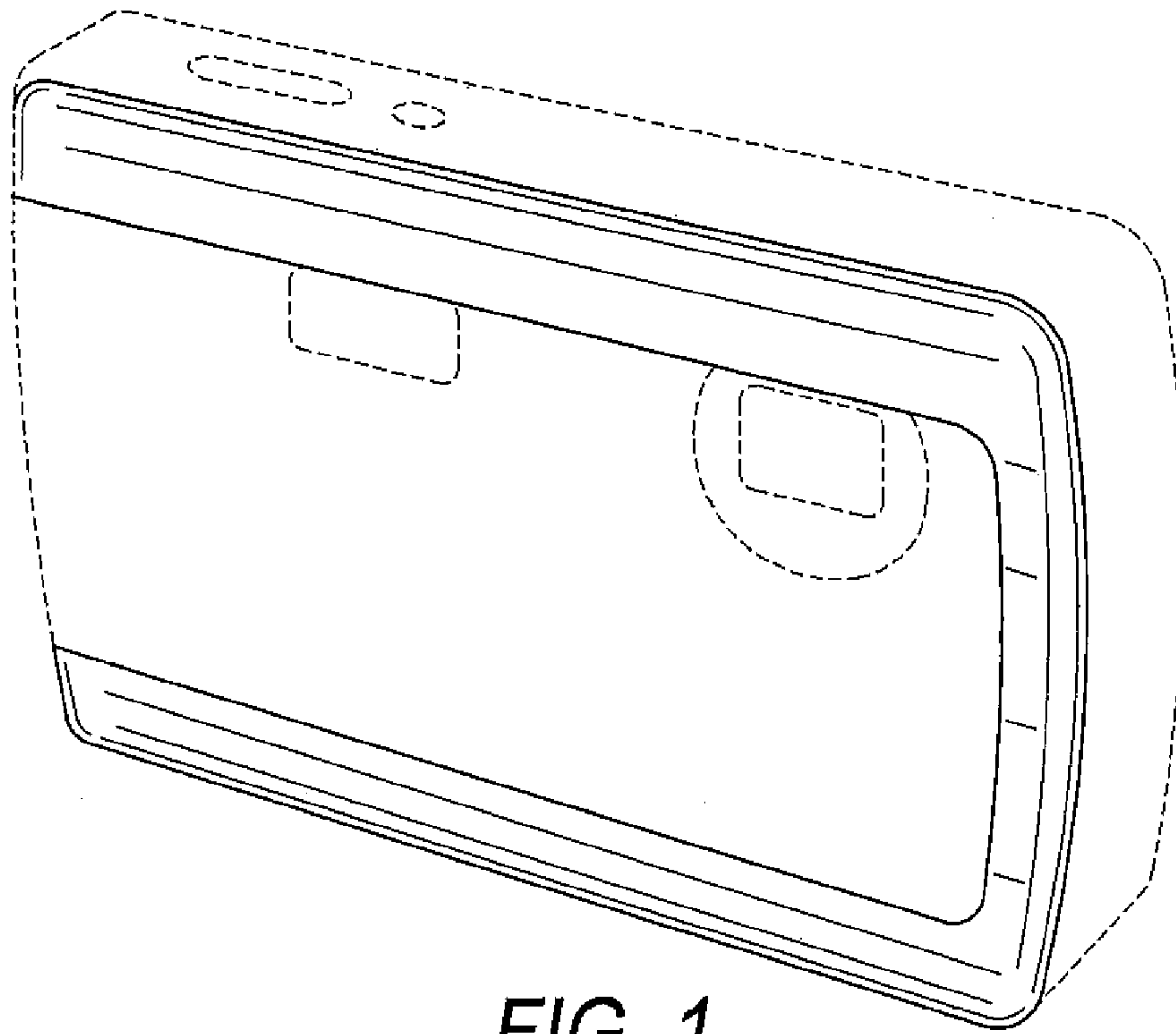


FIG. 1

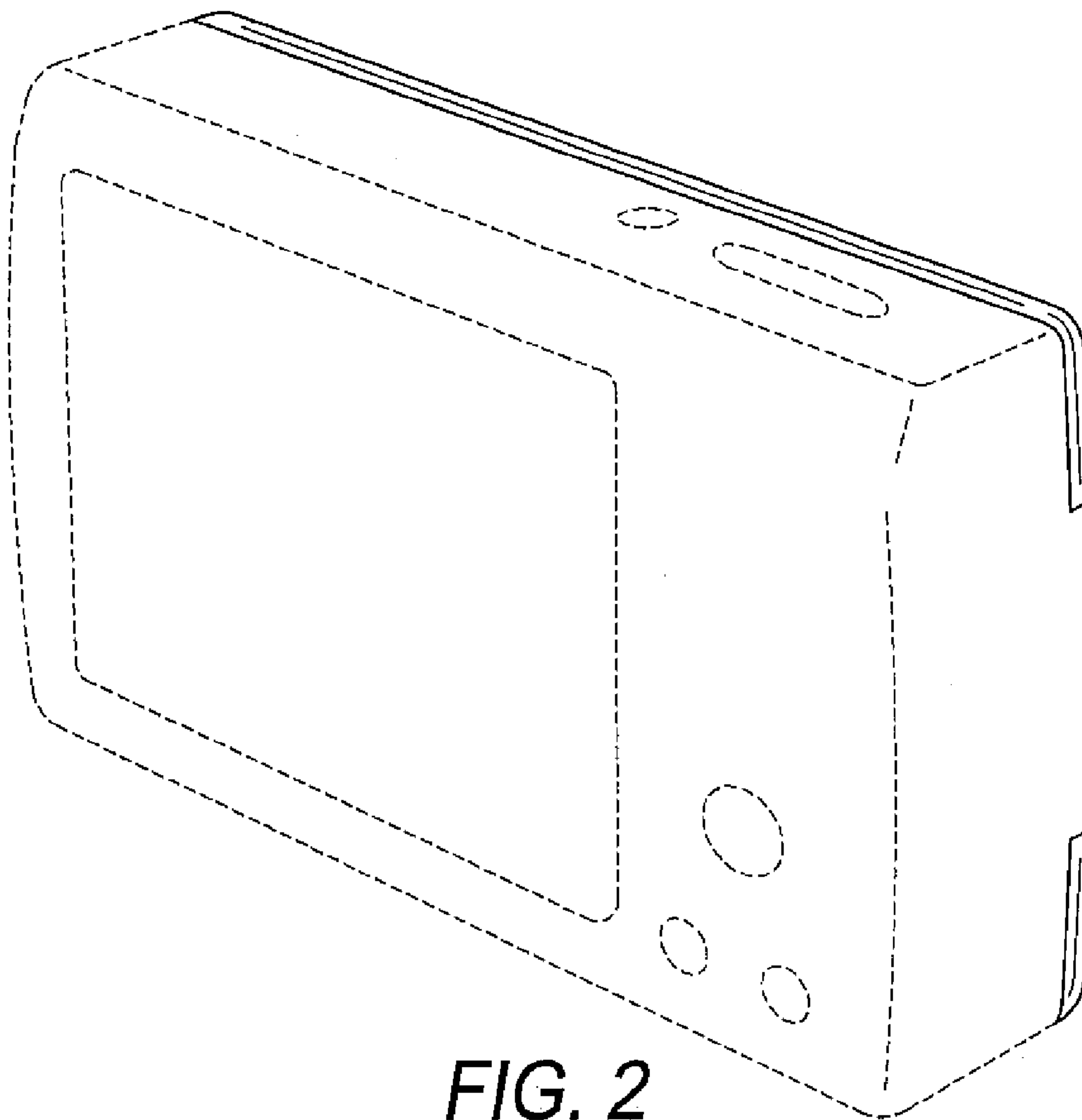


FIG. 2

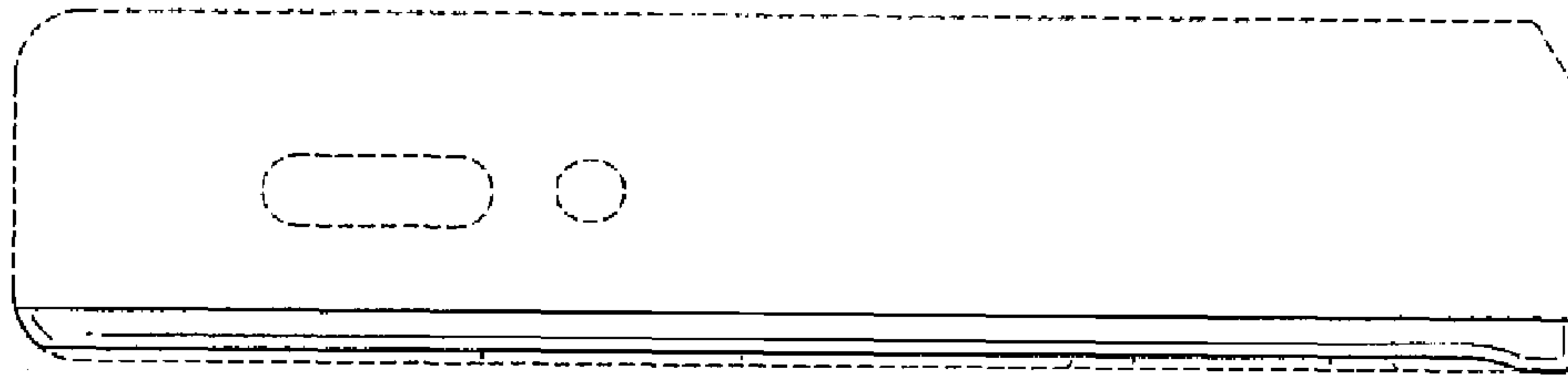


FIG. 3

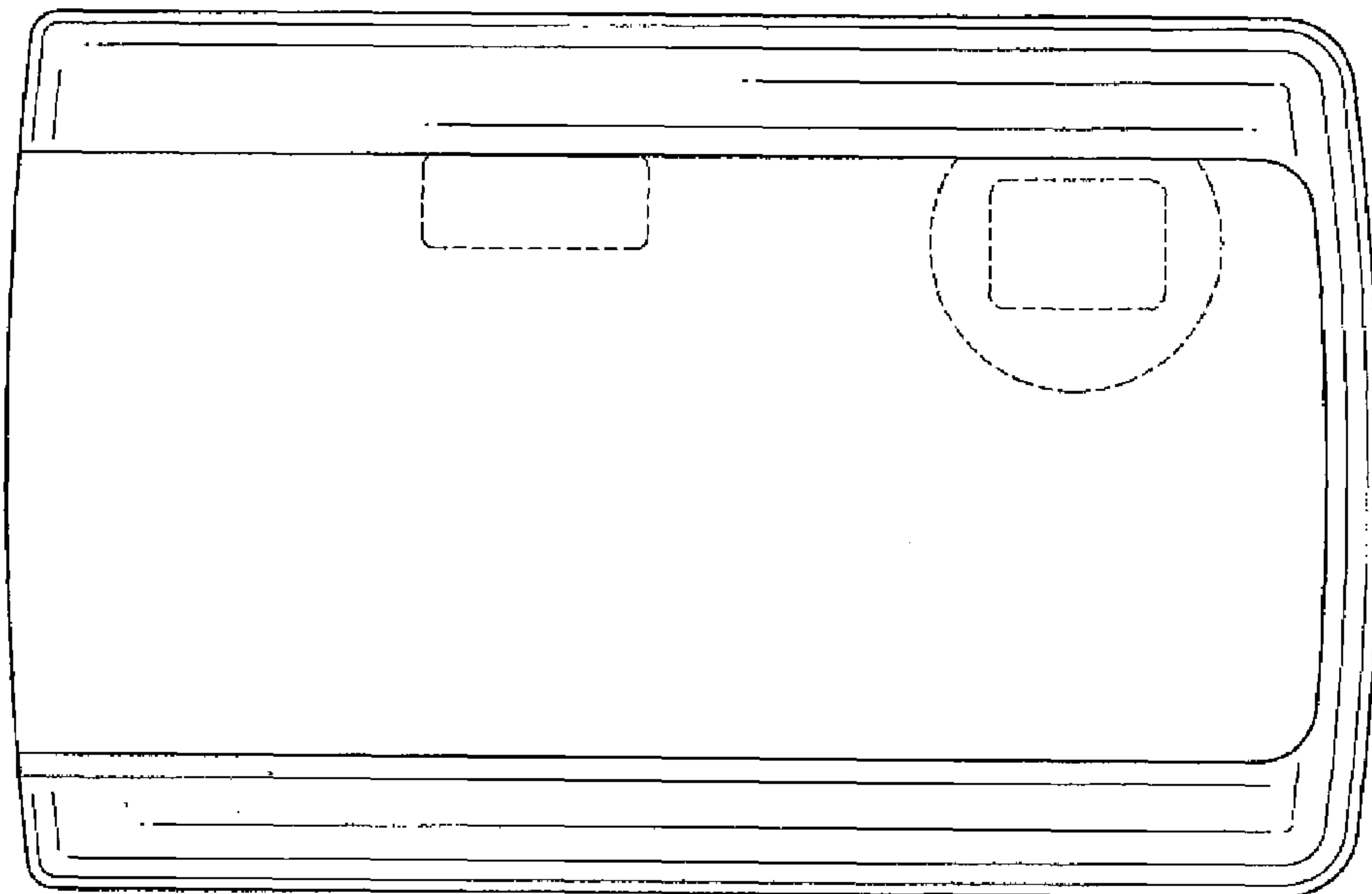


FIG. 4



FIG. 5

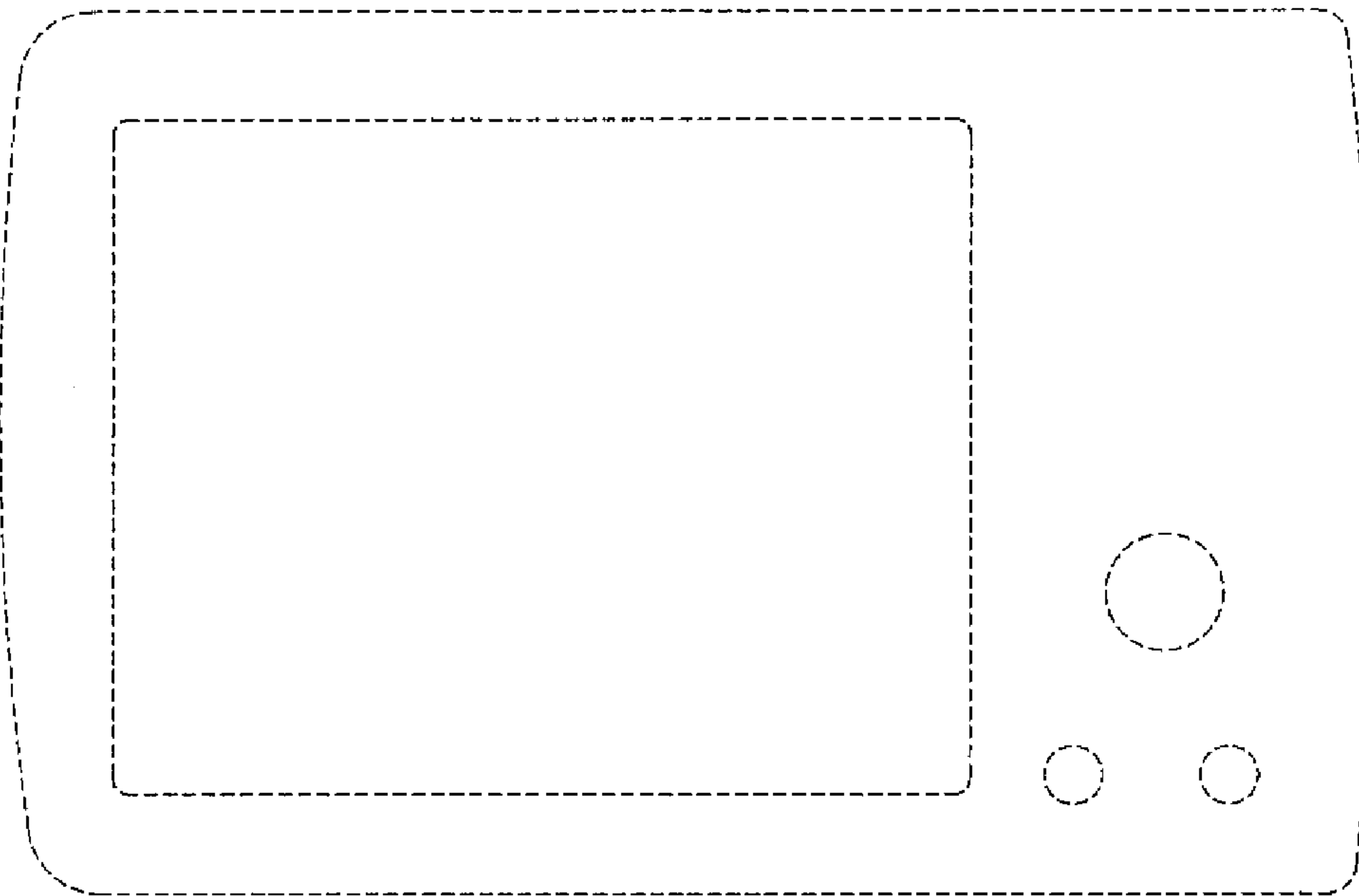


FIG. 6

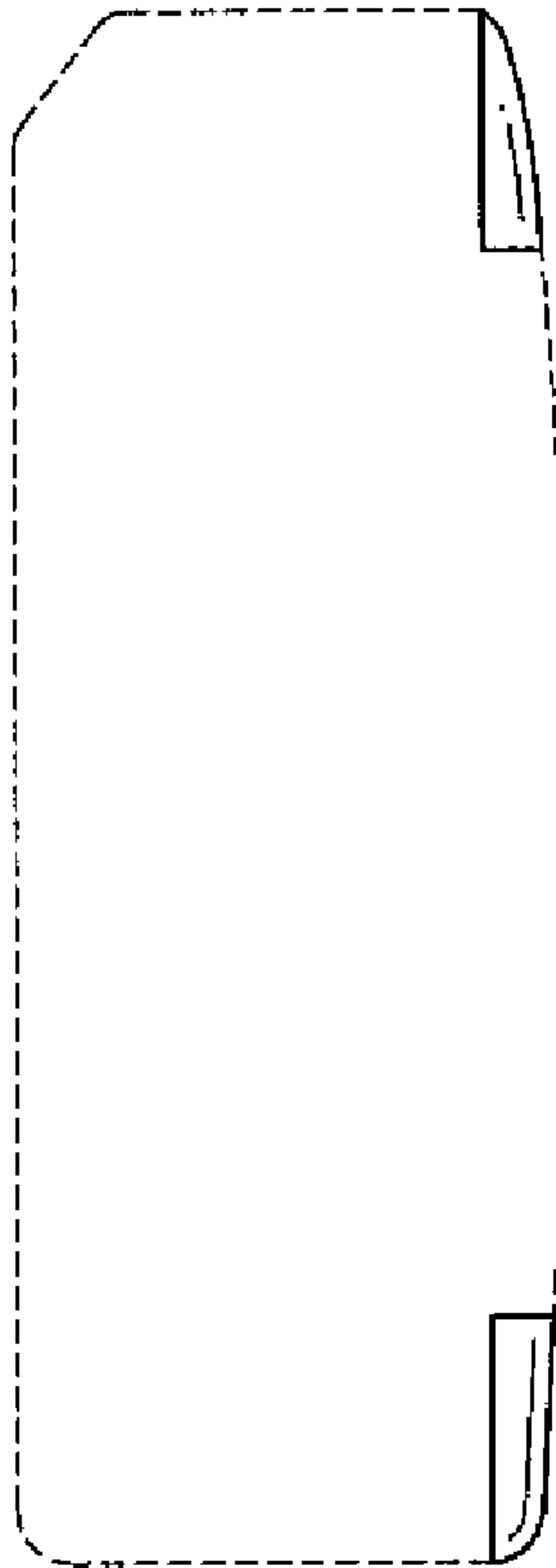


FIG. 7

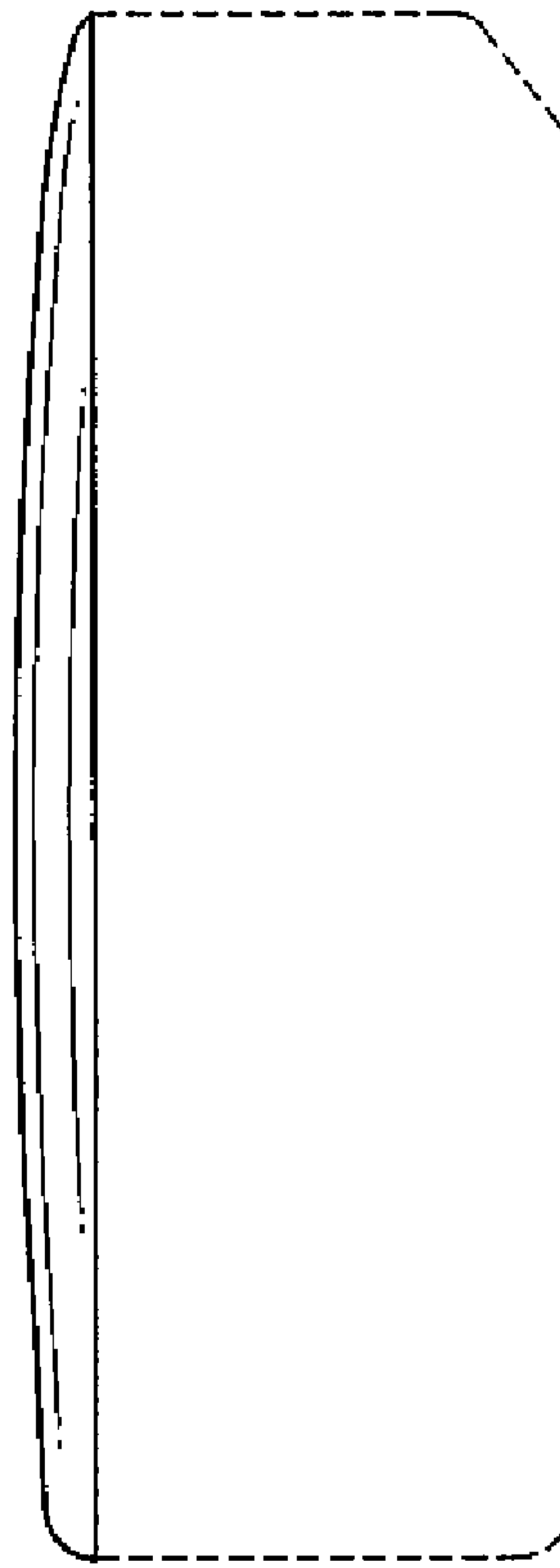


FIG. 8