

US00D571388S

(12) **United States Design Patent**  
**Tajima**

(10) **Patent No.:** **US D571,388 S**  
(45) **Date of Patent:** **\*\* Jun. 17, 2008**

- (54) **DIGITAL CAMERA**
- (75) Inventor: **Kenji Tajima**, Koganei (JP)
- (73) Assignee: **Olympus Imaging Corp.**, Tokyo (JP)
- (\*\*) Term: **14 Years**
- (21) Appl. No.: **29/282,056**
- (22) Filed: **Jul. 10, 2007**

D536,356 S	2/2007	Nakamura	.....	D16/202	
D551,274 S	*	9/2007	Onawa	.....	D16/202
D554,680 S	*	11/2007	Miyahara	.....	D16/202
D555,689 S	*	11/2007	Yoo et al.	.....	D16/202
D557,314 S	*	12/2007	Nasu	.....	D16/219

\* cited by examiner

*Primary Examiner*—Adir Aronovich  
(74) *Attorney, Agent, or Firm*—Hogan & Hartson LLP

**Related U.S. Application Data**

- (62) Division of application No. 29/236,248, filed on Aug. 12, 2005, now Pat. No. Des. 548,252.
- (51) **LOC (8) Cl.** ..... **16-05**
- (52) **U.S. Cl.** ..... **D16/219**
- (58) **Field of Classification Search** ..... D16/200–204,  
D16/208, 218, 219; 348/373–376; 358/909.1;  
396/535–541  
See application file for complete search history.

(57) **CLAIM**

The ornamental design for a digital camera, as shown and described.

**DESCRIPTION**

FIG. 1 is a rear, top and left side perspective view of a digital camera;  
 FIG. 2 is a front, top and right side perspective view thereof;  
 FIG. 3 is a top plan view thereof;  
 FIG. 4 is a front elevational view thereof;  
 FIG. 5 is a bottom plan view thereof;  
 FIG. 6 is a left side elevational view thereof;  
 FIG. 7 is a right side elevational view thereof; and,  
 FIG. 8 is a rear elevational view thereof.

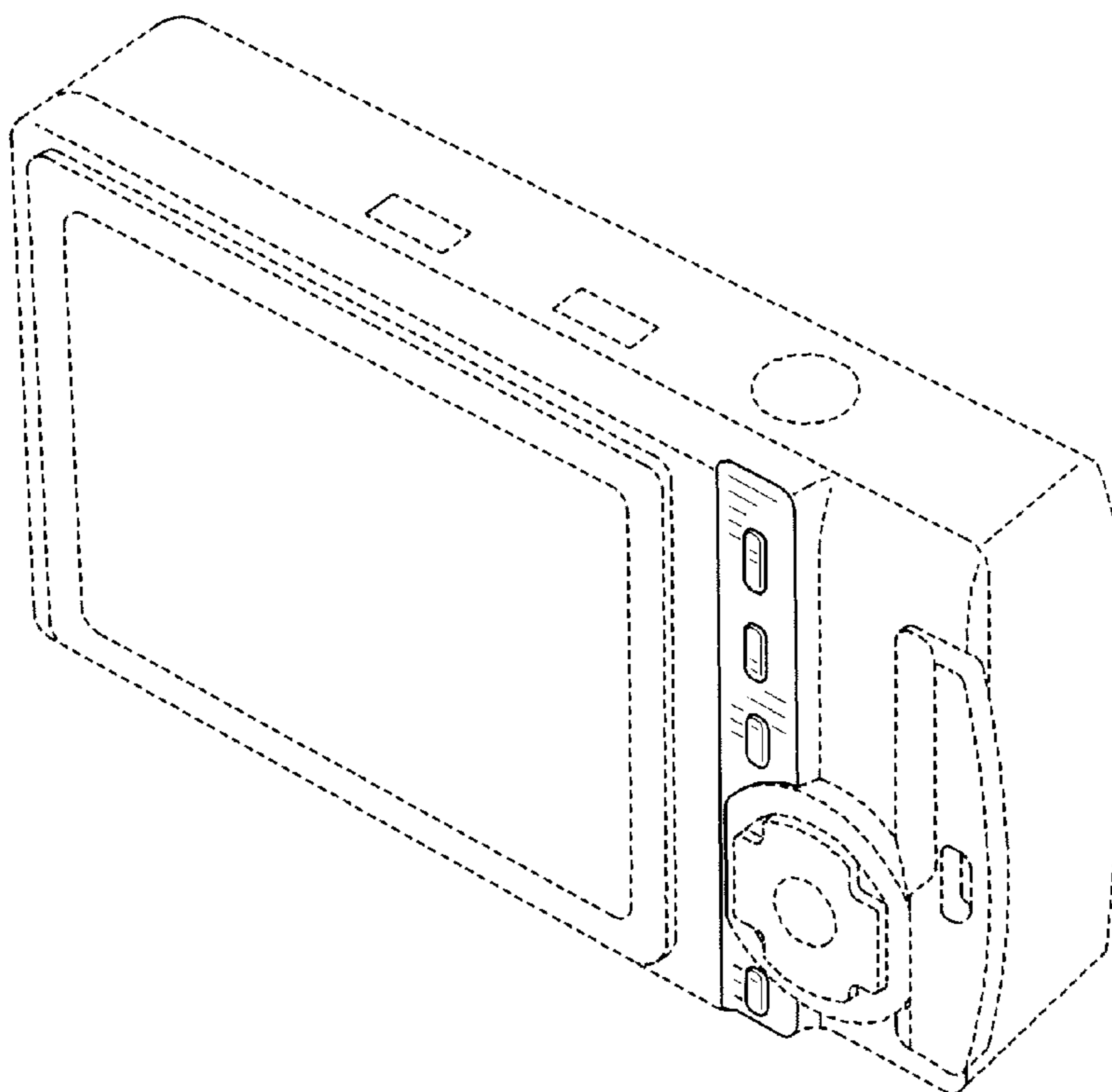
The broken lines are for illustrative purposes only and form no part of the claimed design.

(56) **References Cited**

**U.S. PATENT DOCUMENTS**

D471,220 S	3/2003	Hamamura	.....	D16/202	
D482,054 S	11/2003	Nasu	.....	D16/202	
D496,380 S	9/2004	Isomoto	.....	D16/202	
D516,599 S	3/2006	Nakamura	.....	D16/218	
7,106,959 B2	9/2006	Sato	.....	348/373	
D529,531 S	*	10/2006	Hayashi	.....	D16/219
D534,564 S	1/2007	Tainaka	.....	D16/202	

**1 Claim, 5 Drawing Sheets**



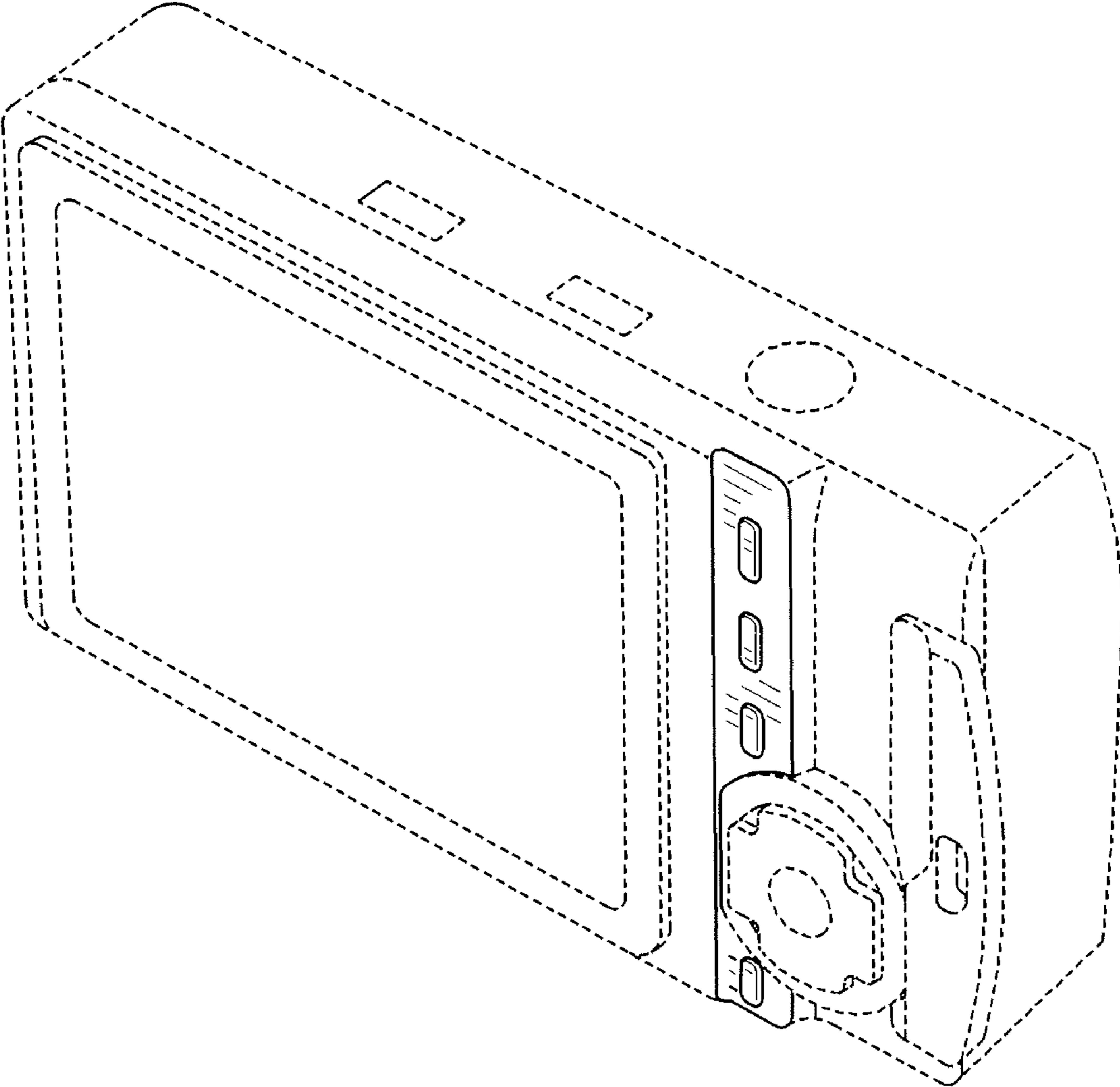


FIG. 1

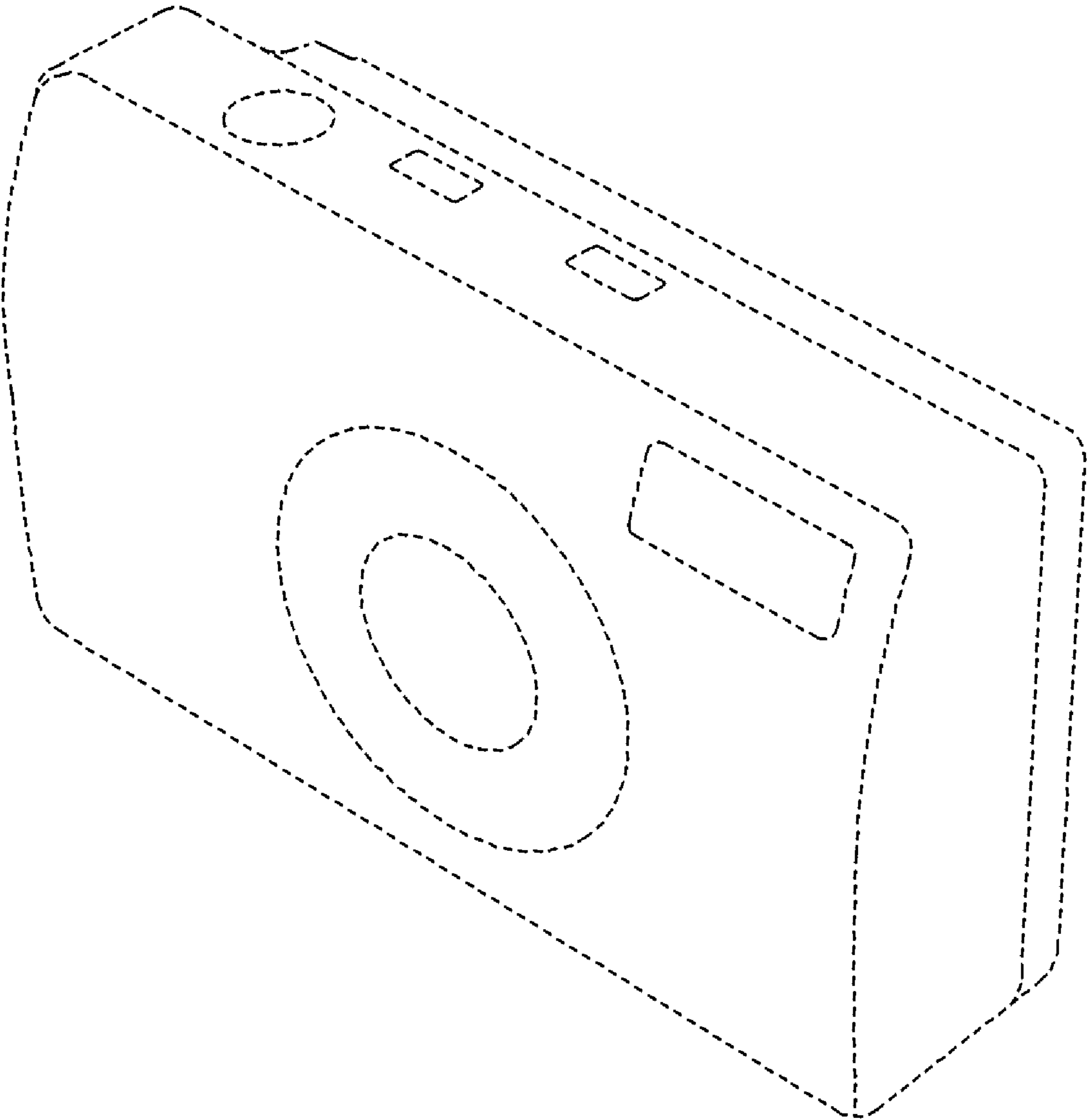


FIG. 2

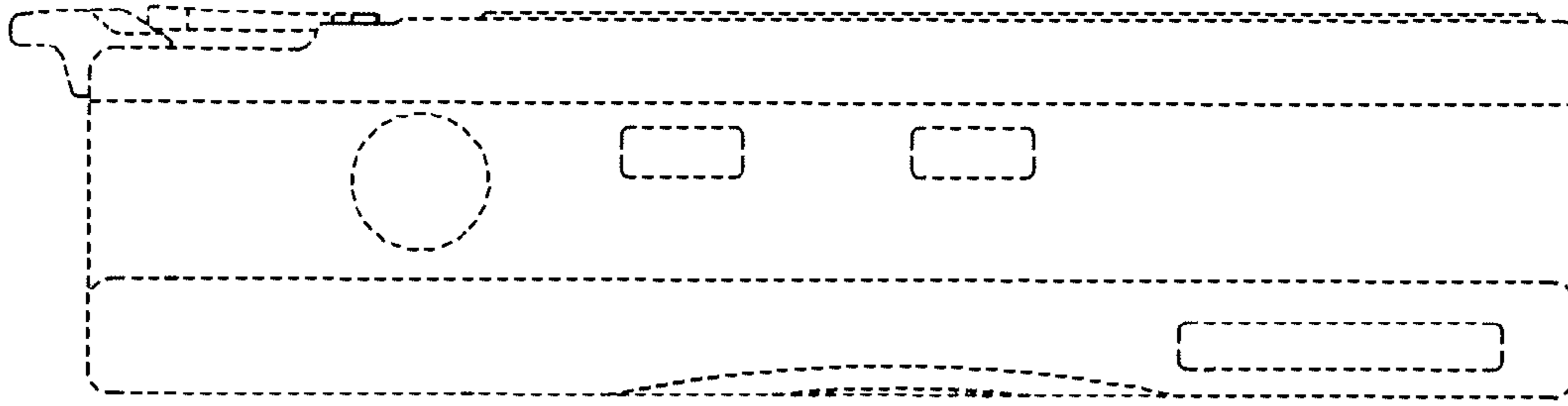


FIG. 3

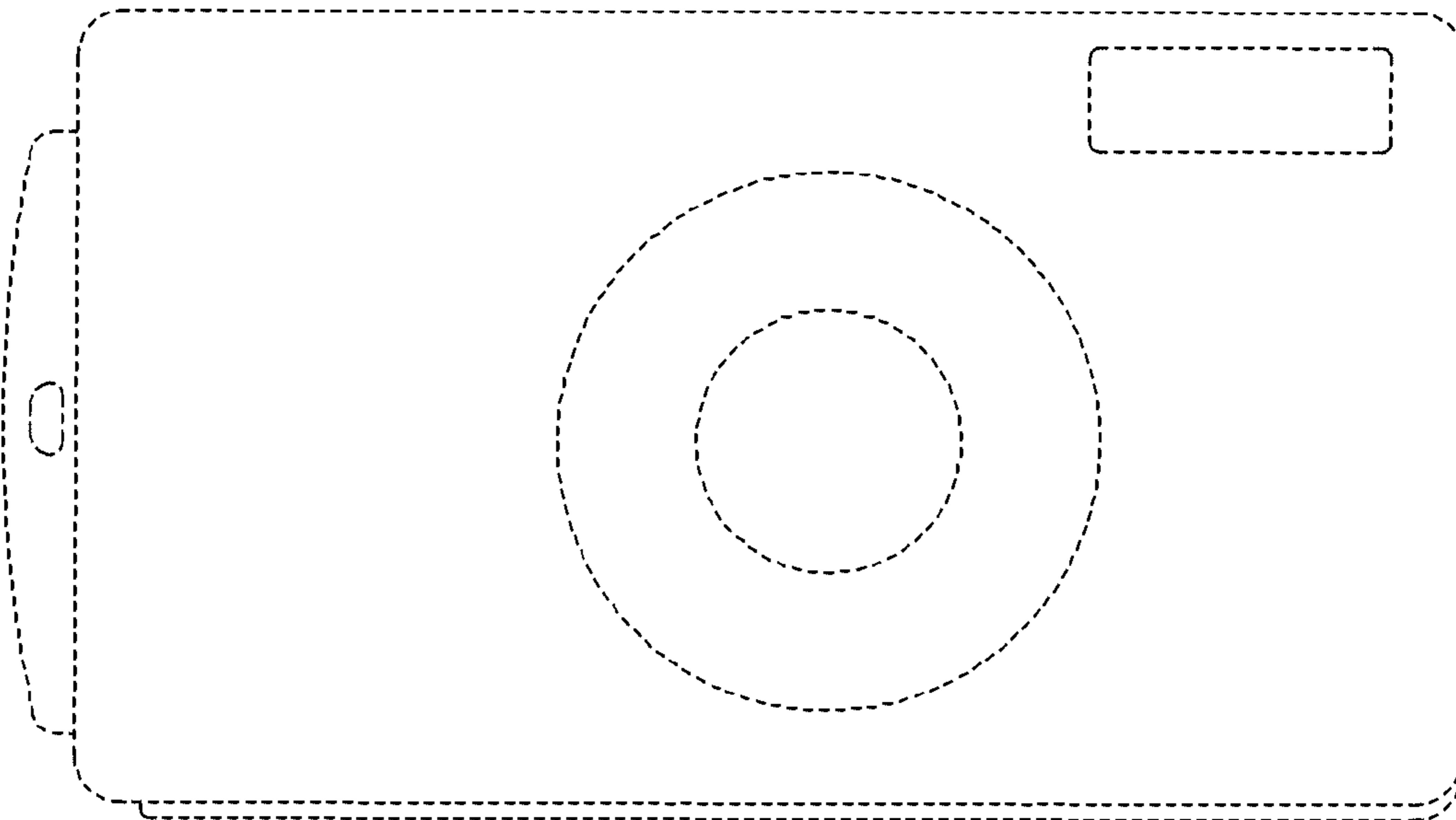


FIG. 4

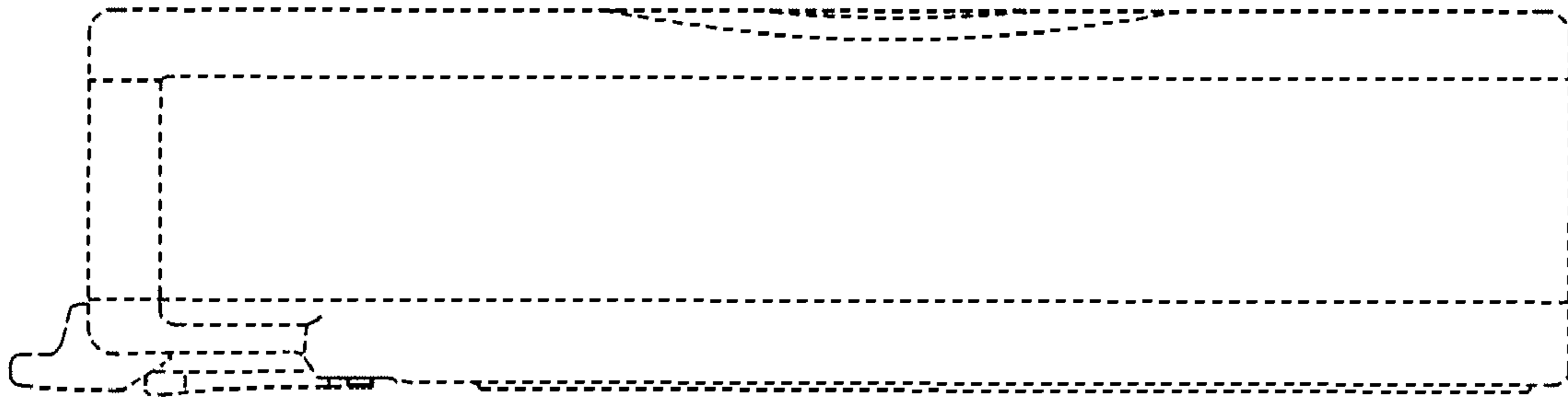


FIG. 5

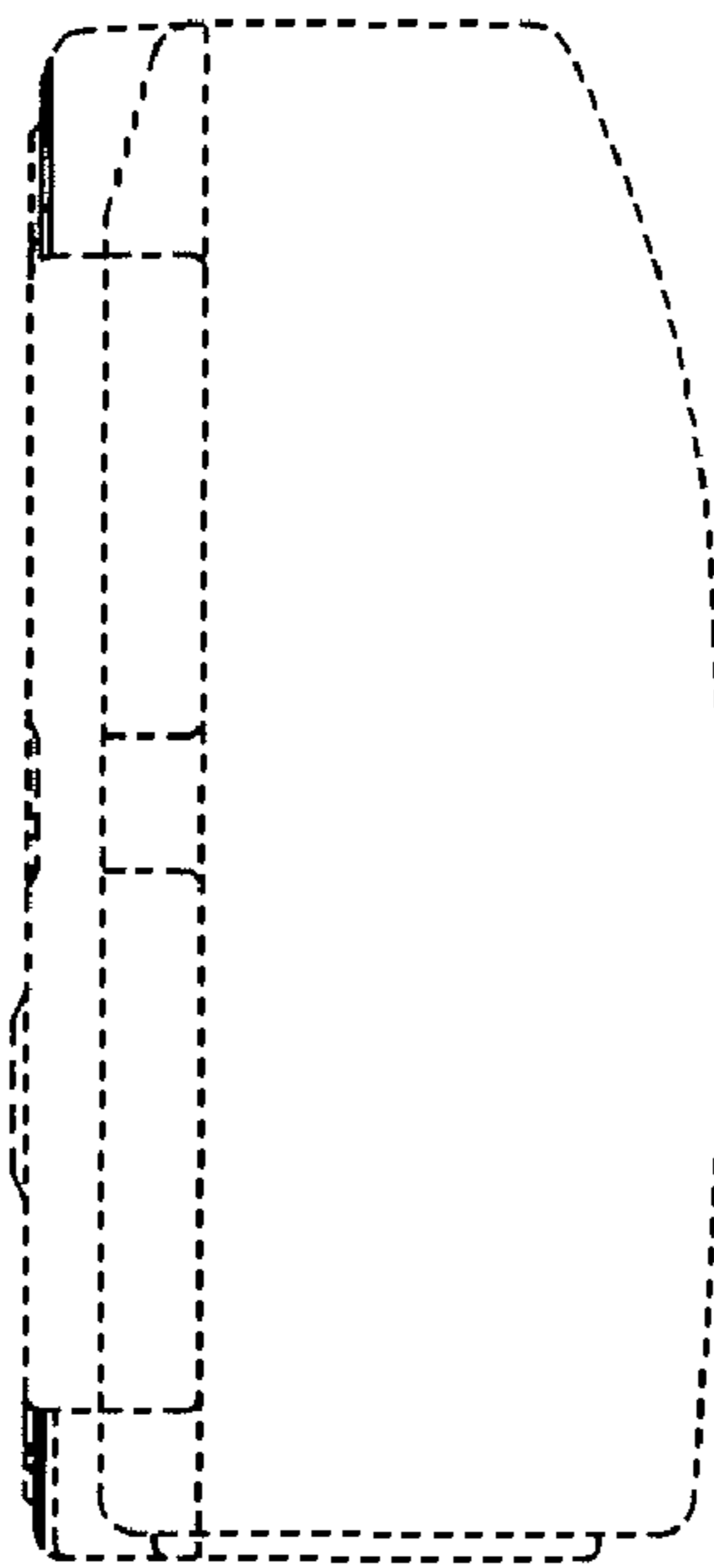


FIG. 6

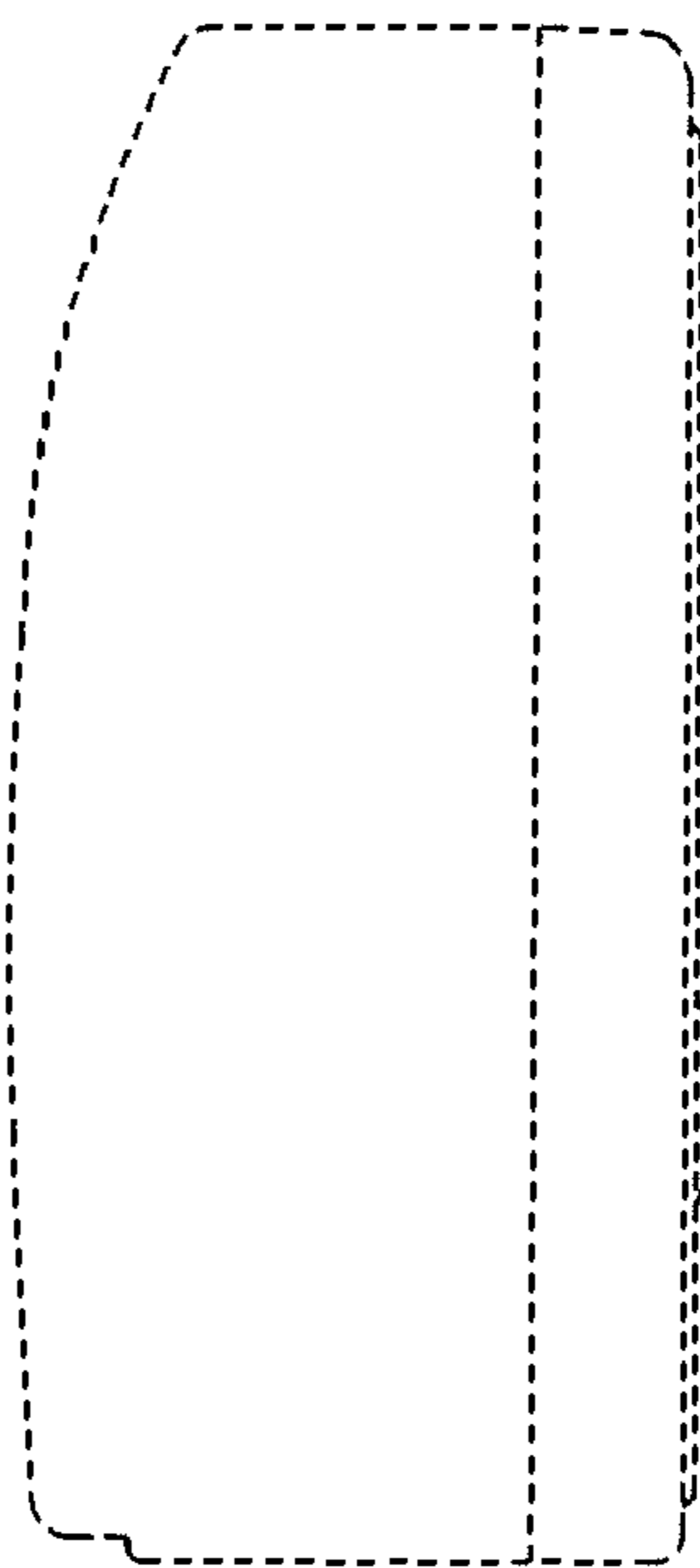


FIG. 7

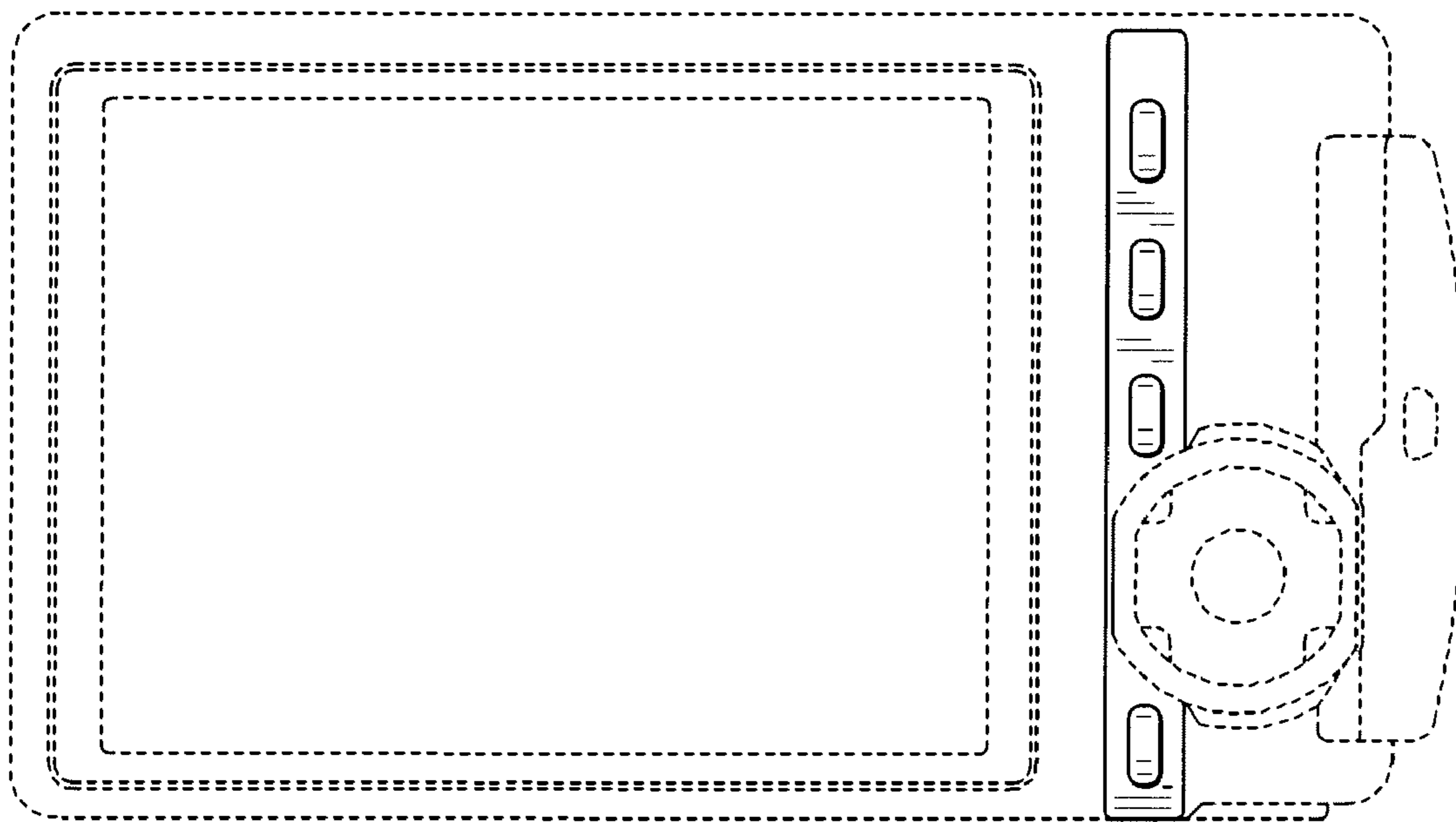


FIG. 8