

US00D571387S

(12) **United States Design Patent**
Morita et al.

(10) **Patent No.: US D571,387 S**
(45) **Date of Patent: ** *Jun. 17, 2008**

(54) **VIDEO CAMERA WITH RECORDER AND PLAYER**

(75) Inventors: **Shinichi Morita**, Kokubunji (JP);
Atsushi Ishibashi, Tokorozawa (JP);
Minoru Ikeda, Inagi (JP); **Akihiro Gotou**, Hitachinaka (JP)

(73) Assignee: **Hitachi, Ltd.**, Tokyo (JP)

(*) Notice: This patent is subject to a terminal disclaimer.

(**) Term: **14 Years**

(21) Appl. No.: **29/276,946**

(22) Filed: **Feb. 9, 2007**

(30) **Foreign Application Priority Data**

Nov. 1, 2006 (JP) 2006-029957

(51) **LOC (8) Cl.** **16-01**

(52) **U.S. Cl.** **D16/202**

(58) **Field of Classification Search** D14/168;
D16/200-206, 208, 218; 348/373-376; 358/906,
358/909.1; 396/535-541

See application file for complete search history.

(56) **References Cited**

U.S. PATENT DOCUMENTS

D491,967 S * 6/2004 Kojima et al. D16/202
D505,438 S * 5/2005 Kojima et al. D16/202
D515,123 S * 2/2006 Kojima et al. D16/202
D517,107 S * 3/2006 Kojima et al. D16/202

D532,805 S * 11/2006 Masano et al. D16/202
D546,857 S * 7/2007 Nishiwaki et al. D16/202
D549,260 S * 8/2007 Kojima et al. D16/202
2005/0140823 A1 * 6/2005 Ishikuro 348/375

* cited by examiner

Primary Examiner—Adir Aronovich

(74) *Attorney, Agent, or Firm*—Antonelli, Terry, Stout & Kraus, LLP.

(57) **CLAIM**

We claim the ornamental design for a video camera with recorder and player, as shown and described.

DESCRIPTION

FIG. 1 is a front, top and right side perspective view of video camera with recorder and player showing our new design;

FIG. 2 is a front elevational view thereof;

FIG. 3 is a rear elevational view thereof;

FIG. 4 is a right side elevational view thereof;

FIG. 5 is a left side elevational view thereof;

FIG. 6 is a top plan view thereof;

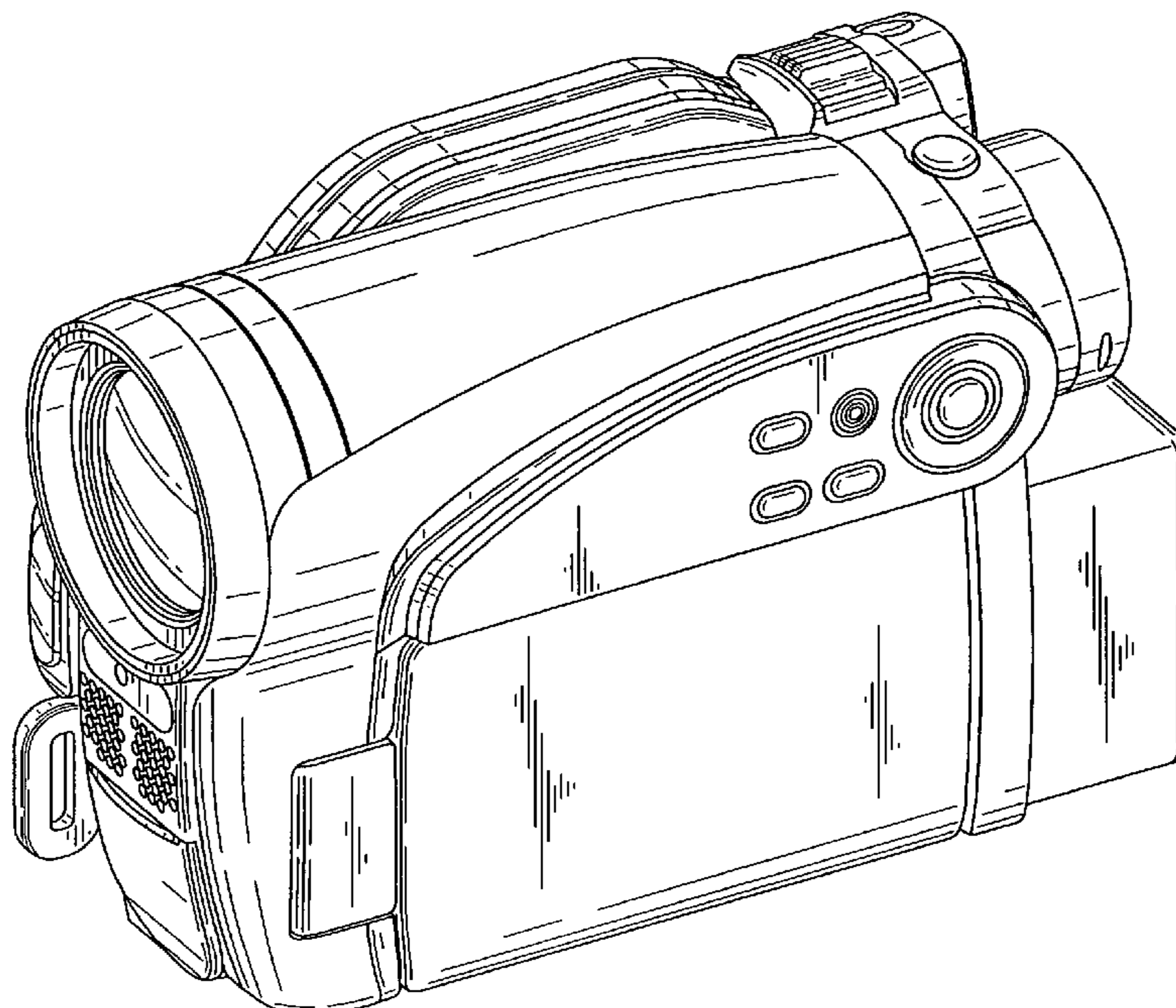
FIG. 7 is a bottom plan view thereof;

FIG. 8 is a rear elevational view thereof, showing a liquid crystal monitor opened;

FIG. 9 is a right side elevational view thereof, showing a liquid crystal monitor opened; and,

FIG. 10 is a front, top, and left side perspective view thereof, showing a disc cover opened thereof.

1 Claim, 6 Drawing Sheets



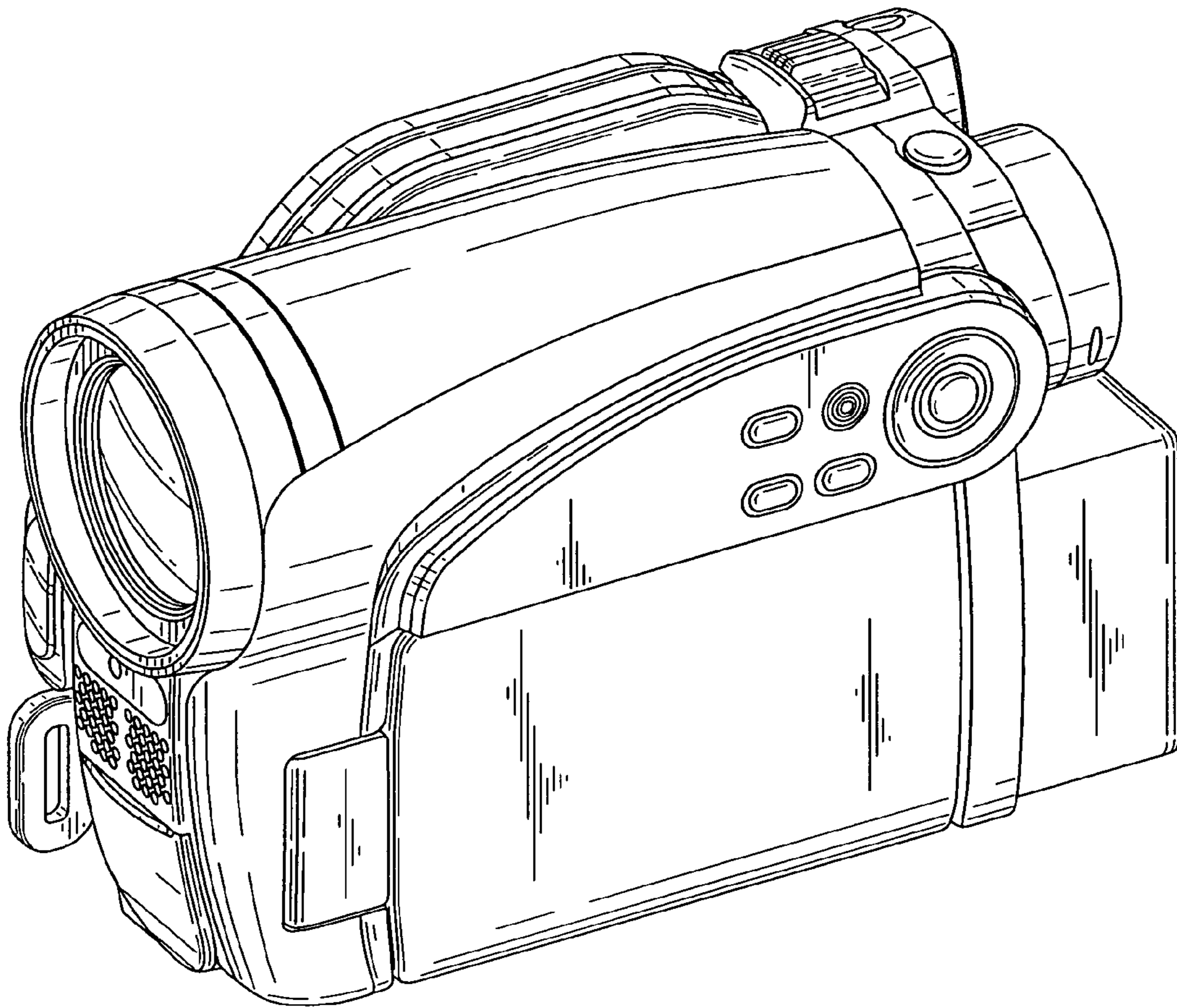


FIG. 1

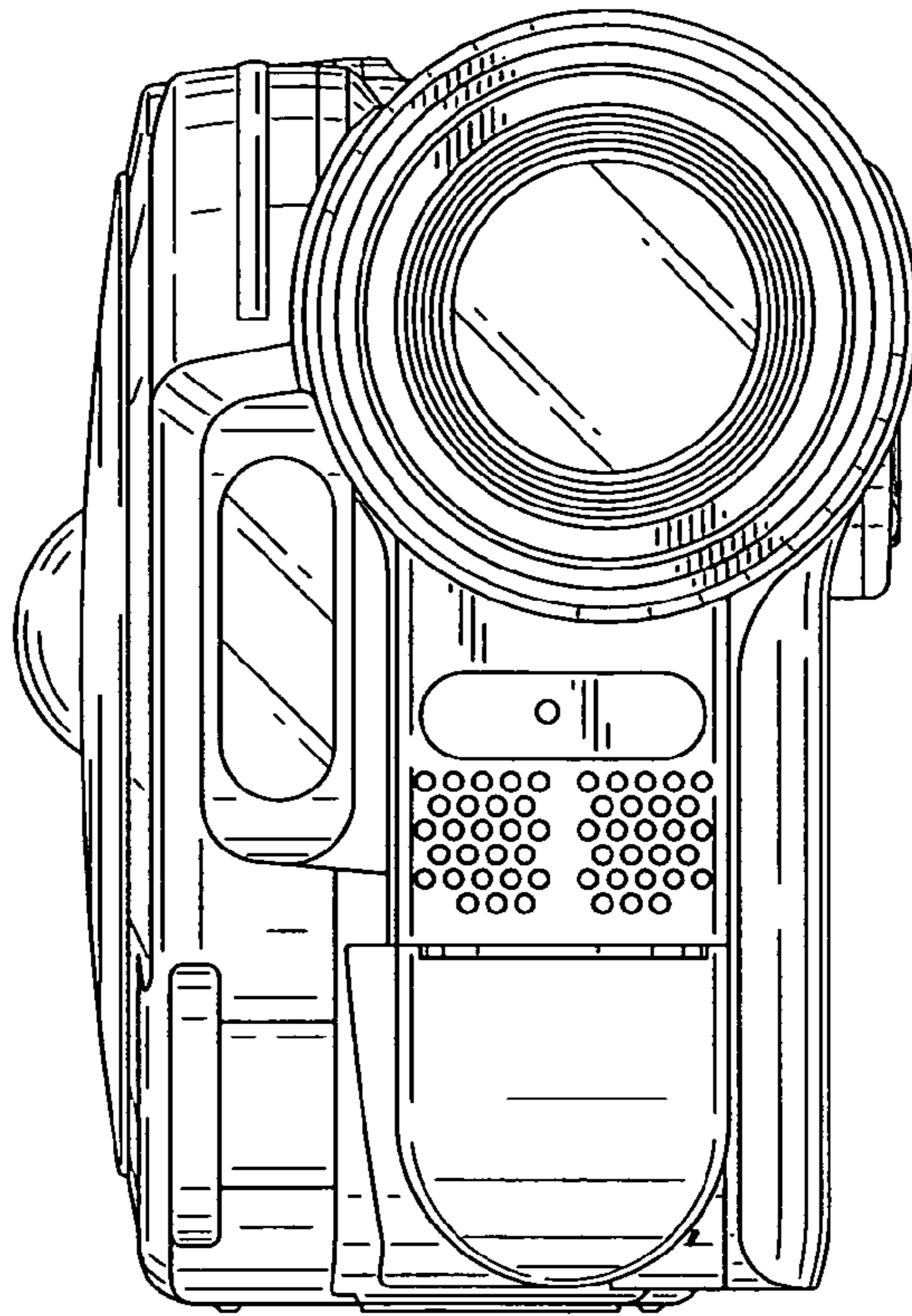


FIG. 2

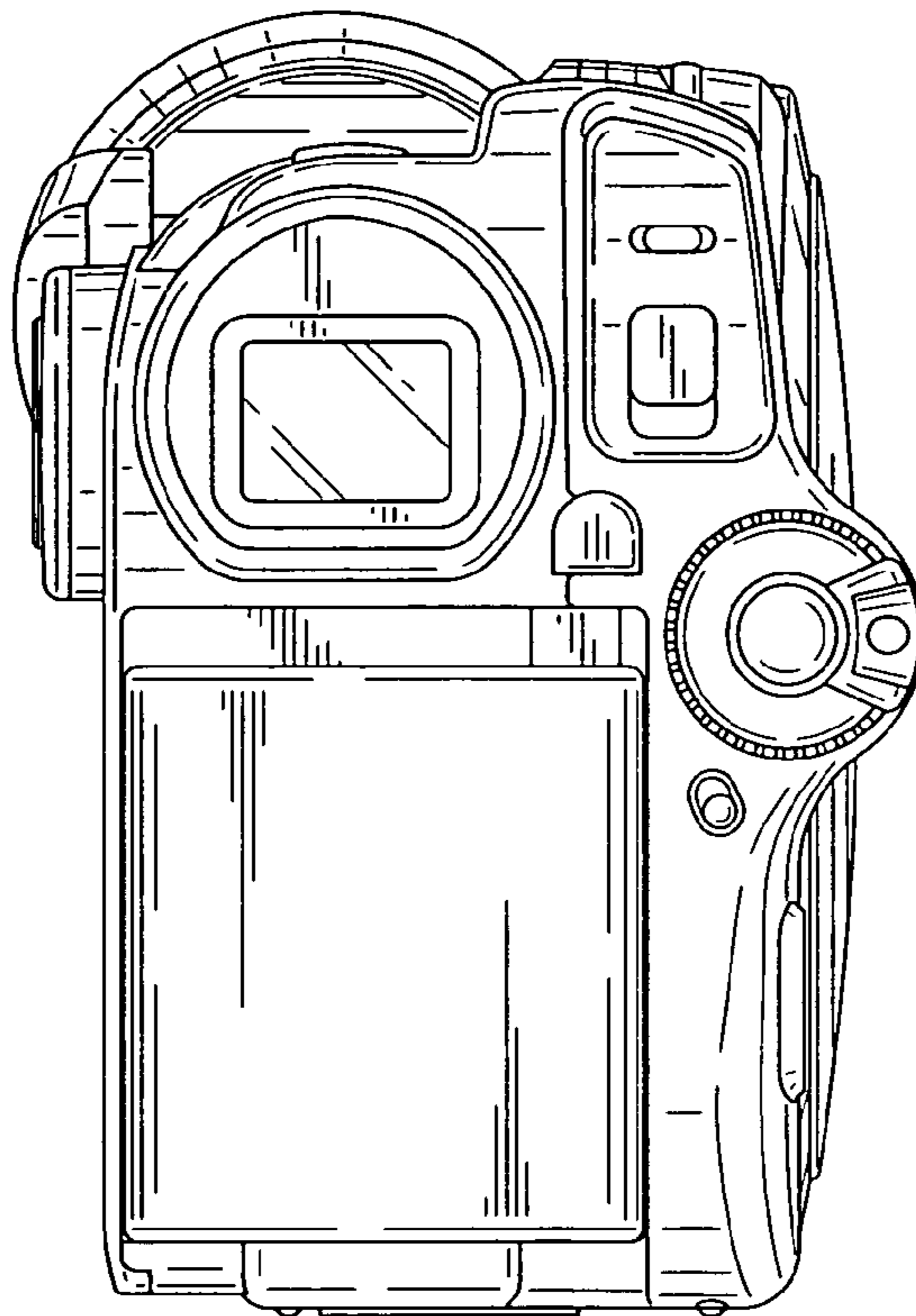


FIG. 3

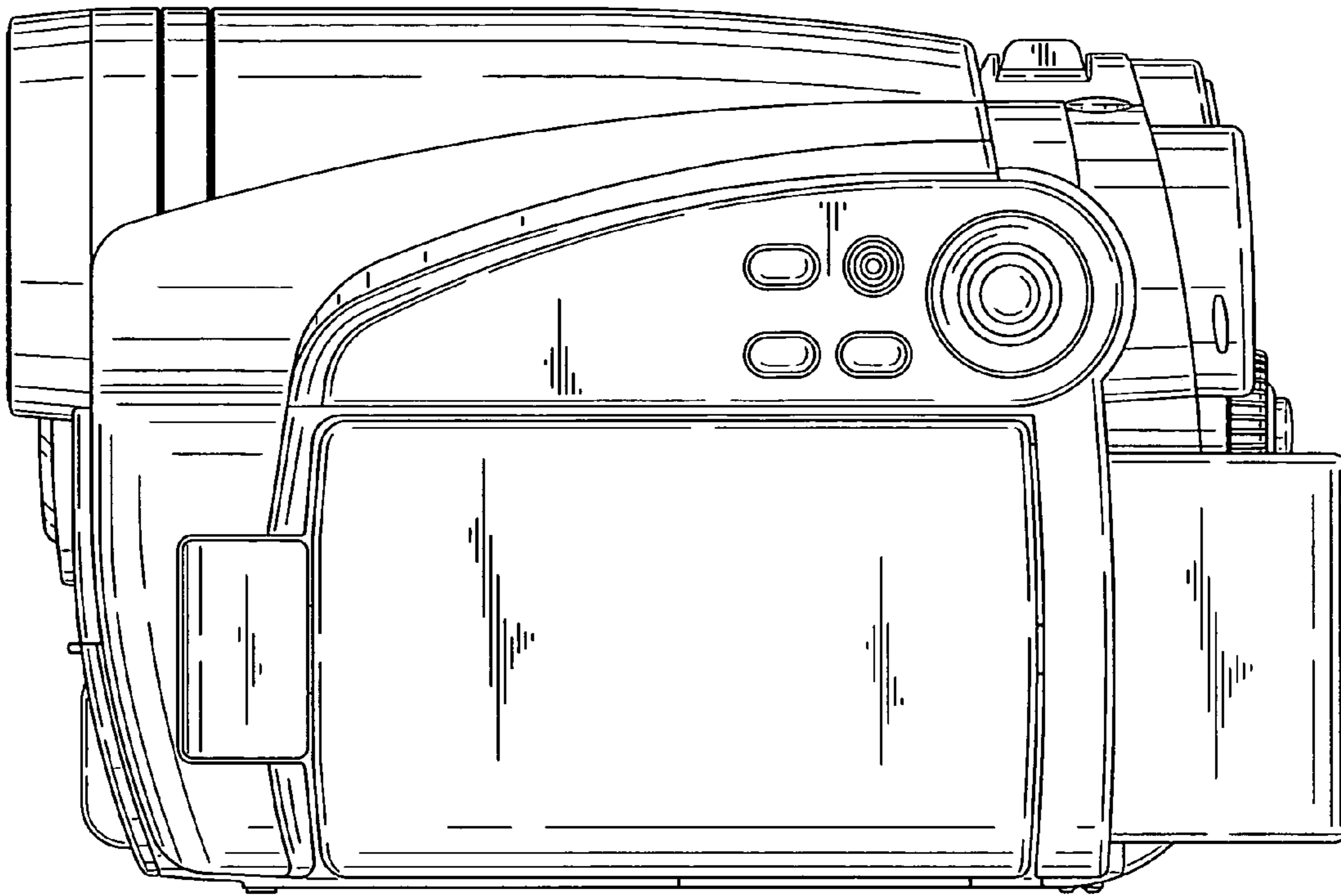


FIG. 4

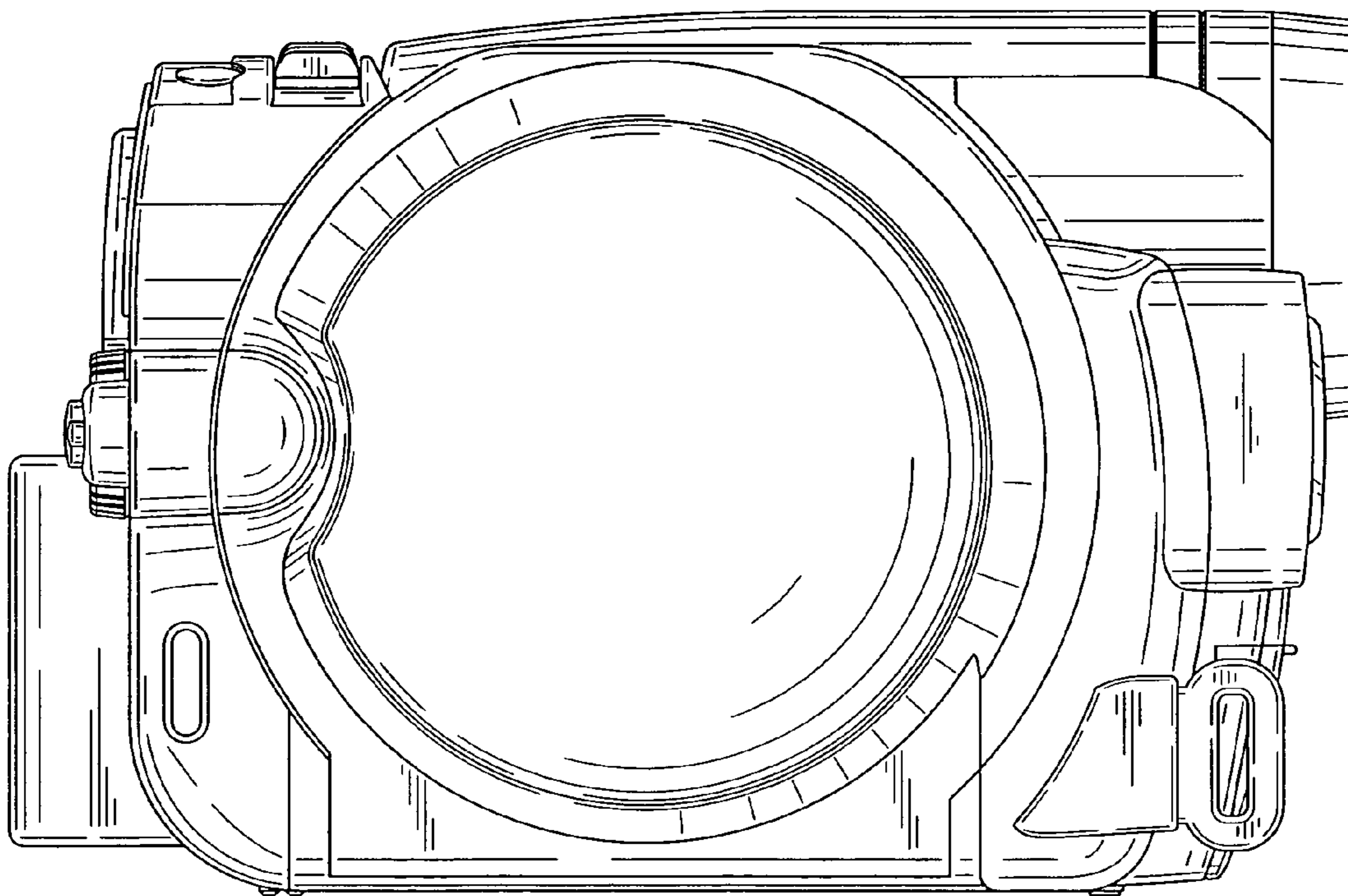


FIG. 5

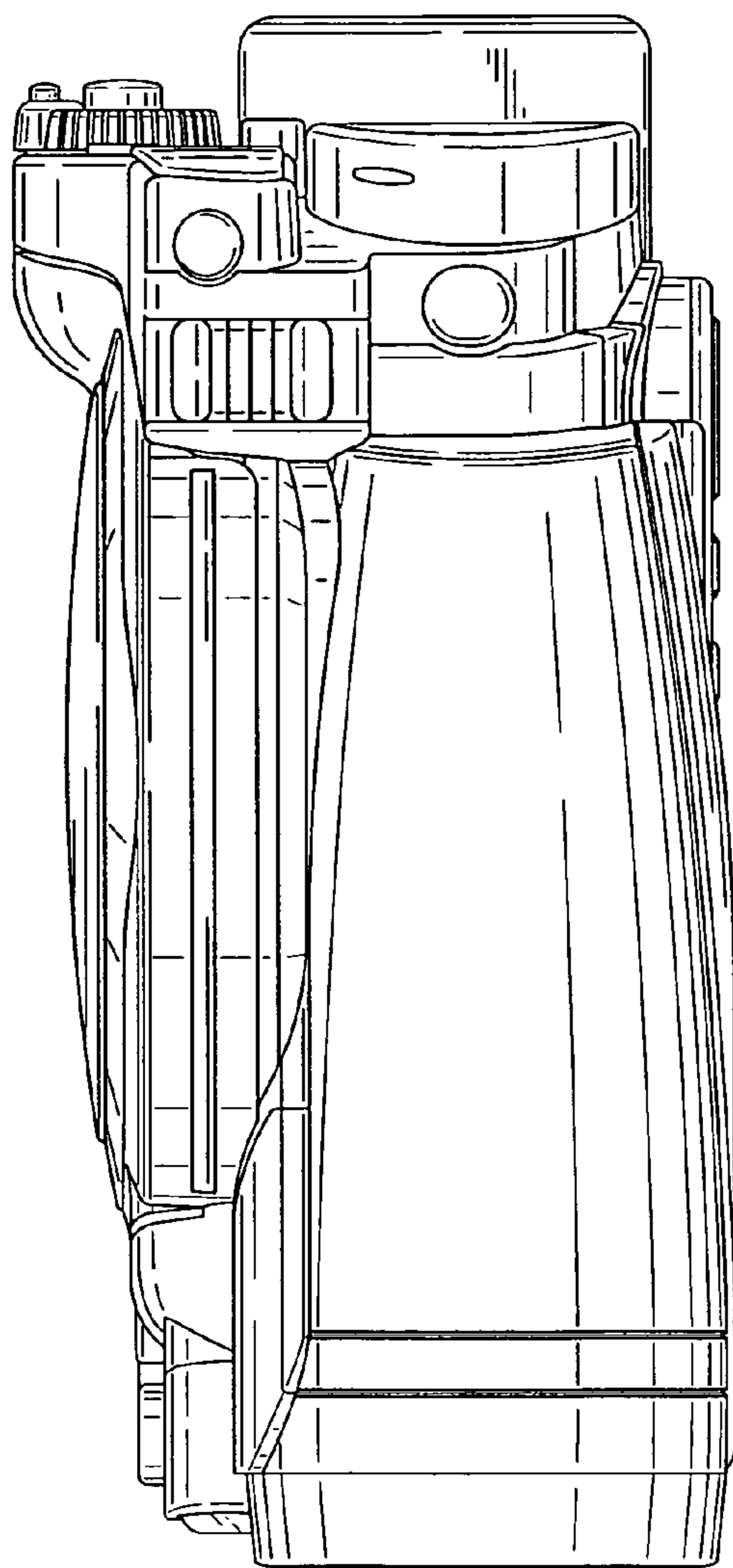


FIG. 6

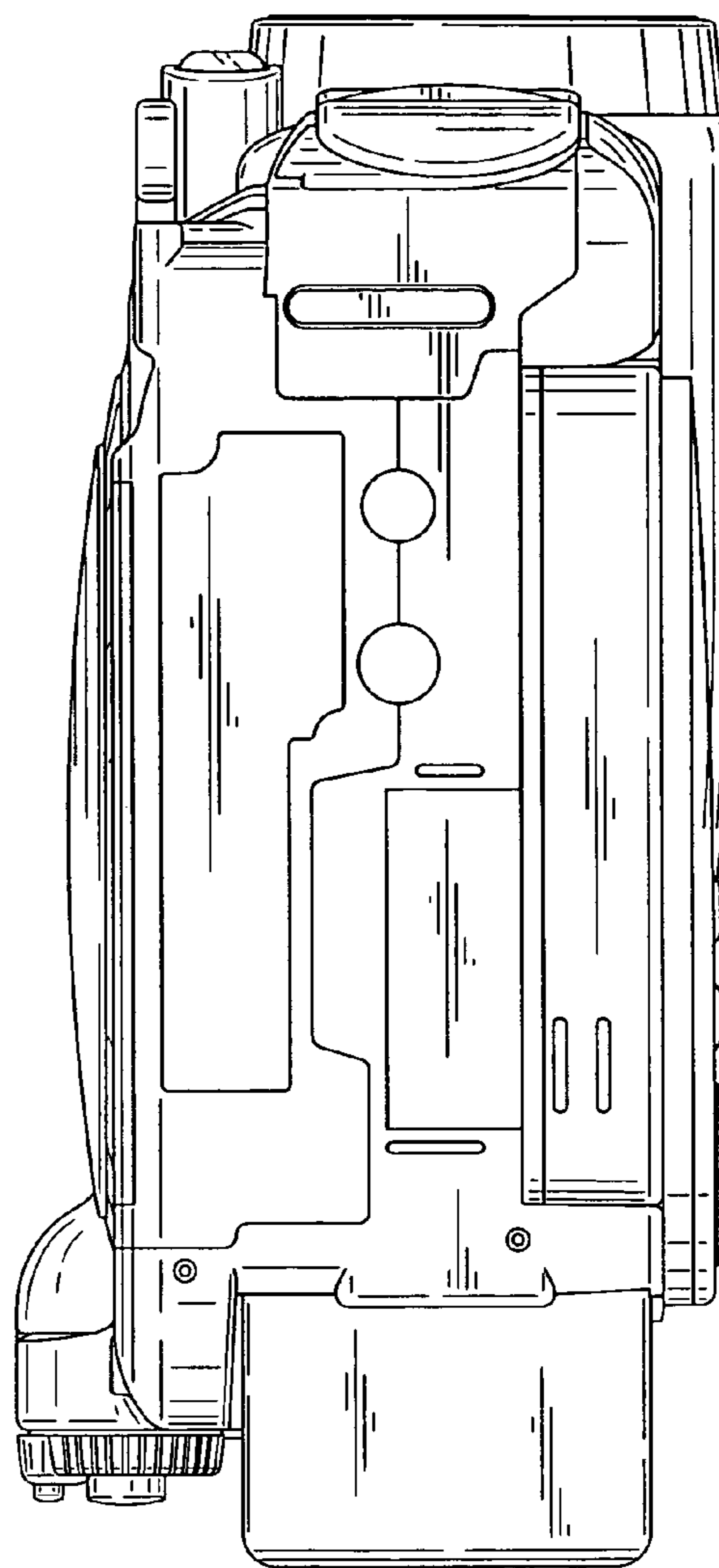


FIG. 7

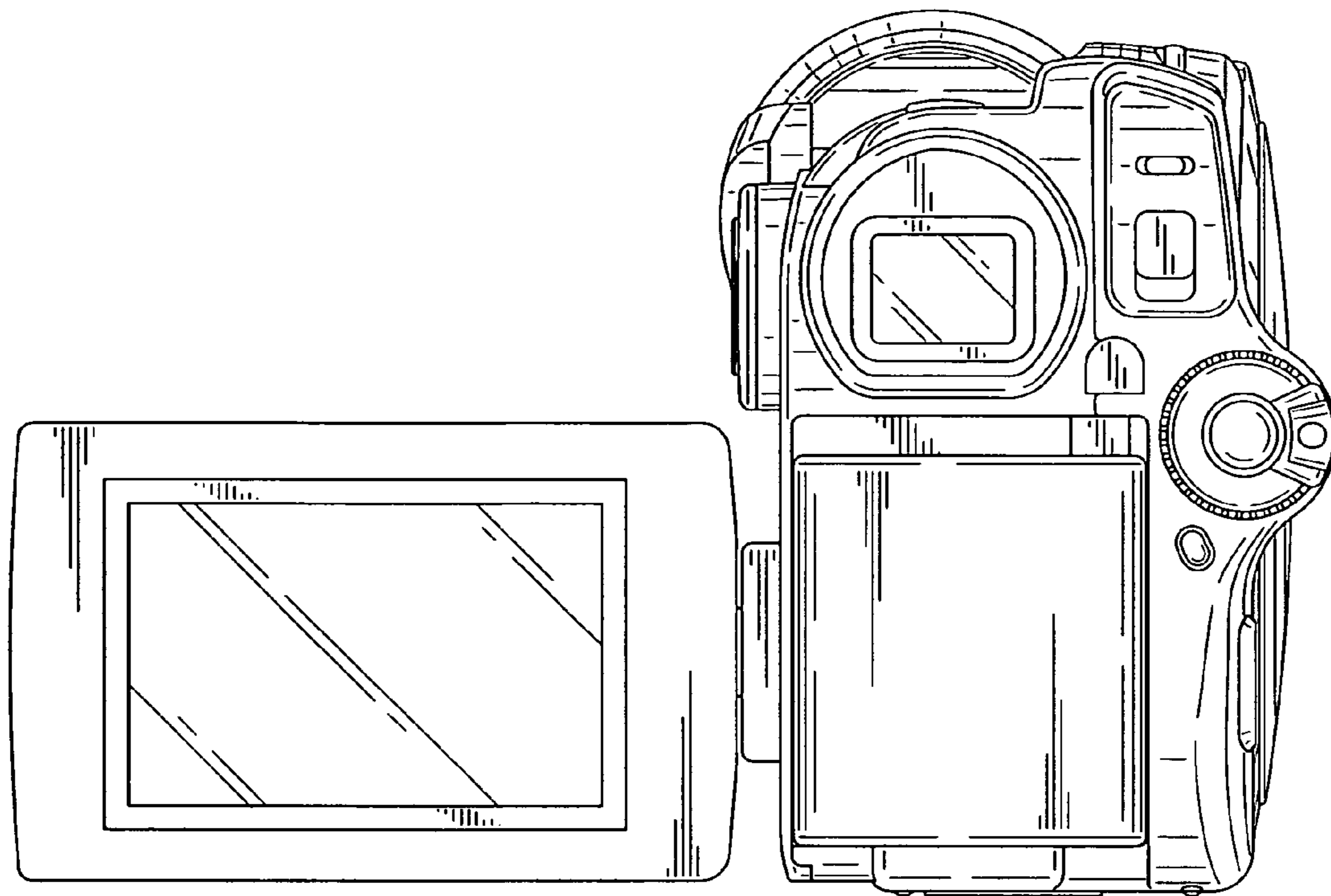


FIG. 8

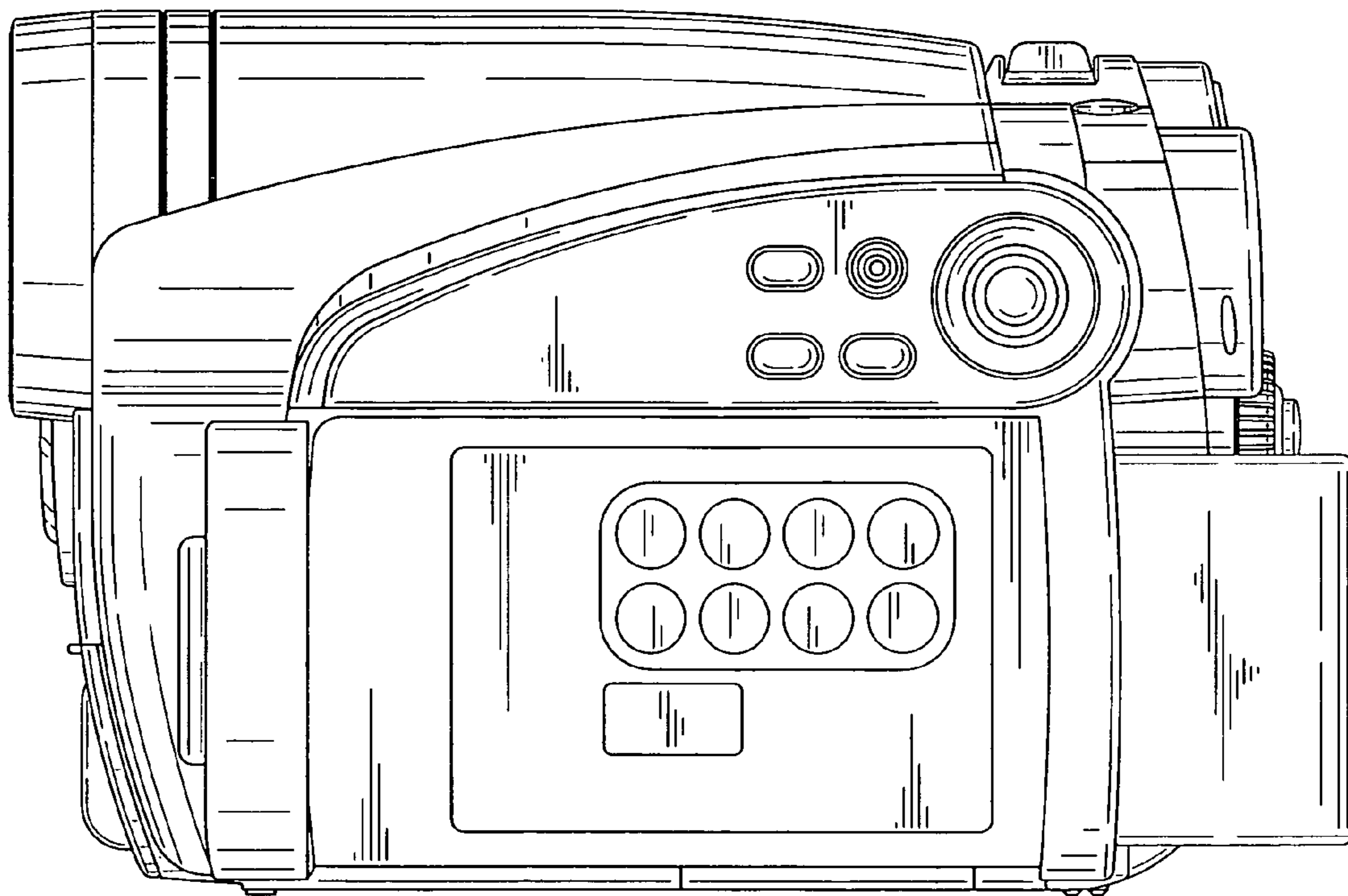


FIG. 9

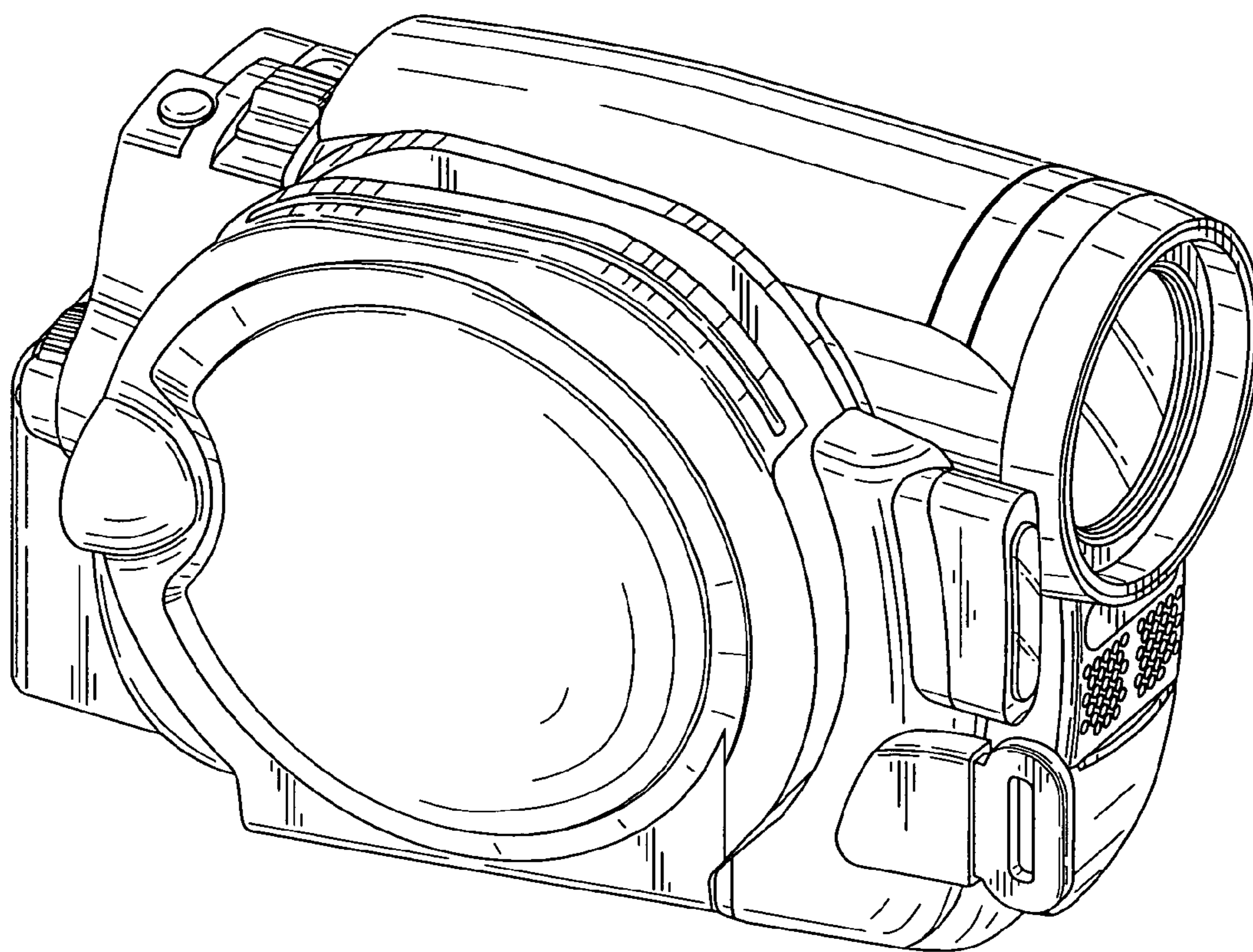


FIG. 10