

US00D571382S

(12) **United States Design Patent**
Borgwarth

(10) **Patent No.:** **US D571,382 S**
(45) **Date of Patent:** **** Jun. 17, 2008**

- (54) **METAL SHAPING APPARATUS**
- (75) Inventor: **Dennis W. Borgwarth**, Andover, MN (US)
- (73) Assignee: **Hot Metal Customs, Inc.**, Andover, MN (US)
- (**) Term: **14 Years**
- (21) Appl. No.: **29/296,805**
- (22) Filed: **Oct. 29, 2007**

Related U.S. Application Data

- (63) Continuation of application No. 11/373,543, filed on Mar. 10, 2006, now Pat. No. 7,331,207.

- (51) **LOC (8) Cl.** **15-09**
- (52) **U.S. Cl.** **D15/127**
- (58) **Field of Classification Search** D8/64,
D8/66; D15/127, 128, 133, 134; 72/375,
72/435, 440, 441, 446, 448, 472, 473, 453.07,
72/481.1

See application file for complete search history.

(56) **References Cited**

U.S. PATENT DOCUMENTS

52,894 A	2/1866	Shaw	
1,355,291 A	10/1920	Urbaner	
1,386,891 A	8/1921	Mayer	
1,394,722 A	10/1921	Fogde	
1,428,612 A	9/1922	Sheehy	
1,454,633 A	5/1923	Fisher	
1,485,486 A	3/1924	Depew	
1,551,347 A	8/1925	Trombetta	
1,791,332 A	2/1931	Strakey et al.	
2,163,715 A	6/1939	Stull	
2,165,504 A	7/1939	Pfauser	
2,187,110 A	1/1940	Champayne	
D188,088 S *	5/1960	Deschamps	D15/127
3,686,922 A *	8/1972	Bley	72/441
D239,320 S *	3/1976	Doyel	D15/123
4,181,002 A	1/1980	Eckhold et al.	
4,301,673 A *	11/1981	Yonezawa	72/448
4,372,183 A	2/1983	Lehtinen	
4,385,515 A *	5/1983	Link et al.	72/416
D300,934 S *	5/1989	Arehart	D15/134
5,199,293 A *	4/1993	Catti et al.	72/443
D349,122 S *	7/1994	Arehart et al.	D15/134

5,913,934 A *	6/1999	Inoue et al.	72/442
6,427,515 B1	8/2002	Kuhne	
7,331,207 B2 *	2/2008	Borgwarth	72/448
2005/0223773 A1 *	10/2005	Boatright et al.	72/448
2006/0201231 A1 *	9/2006	Borgwarth	72/448
2007/0101799 A1 *	5/2007	College	72/446

OTHER PUBLICATIONS

Shopdog, Pro16 Reciprocating Metalshaping Machine and Freehead Power Hammer; www.shopdog.net; 1 page; date unknown; location unknown.

Pullmax Inc.; Pullmax P201 Universal Machines; www.pullmaxinc.com; 2 pages, Feb. 2005, Rolling Meadows, IL.

Eckold AG; Uniformtechnik; www.ekold.com; 4 pages; Jan. 2006; Switzerland.

* cited by examiner

Primary Examiner—Sandra Snapp

Assistant Examiner—Patricia Palasik

(74) *Attorney, Agent, or Firm*—Patterson, Thuente, Skaar & Christensen, P.A.

(57) **CLAIM**

The ornamental design for a metal shaping apparatus, as shown.

DESCRIPTION

FIG. 1 is a perspective view of a metal shaping apparatus according to an embodiment of the invention.

FIG. 2 is a side planar view of a metal shaping apparatus according to an embodiment of the invention.

FIG. 3 is a top planar view of a metal shaping apparatus according to an embodiment of the invention.

FIG. 4 is a front planar view of a metal shaping apparatus according to an embodiment of the invention.

FIG. 5 is a rear planar view of a metal shaping apparatus according to an embodiment of the invention; and,

FIG. 6 is a perspective view of a metal shaping apparatus according to an embodiment of the invention with a portable stand in phantom.

1 Claim, 5 Drawing Sheets

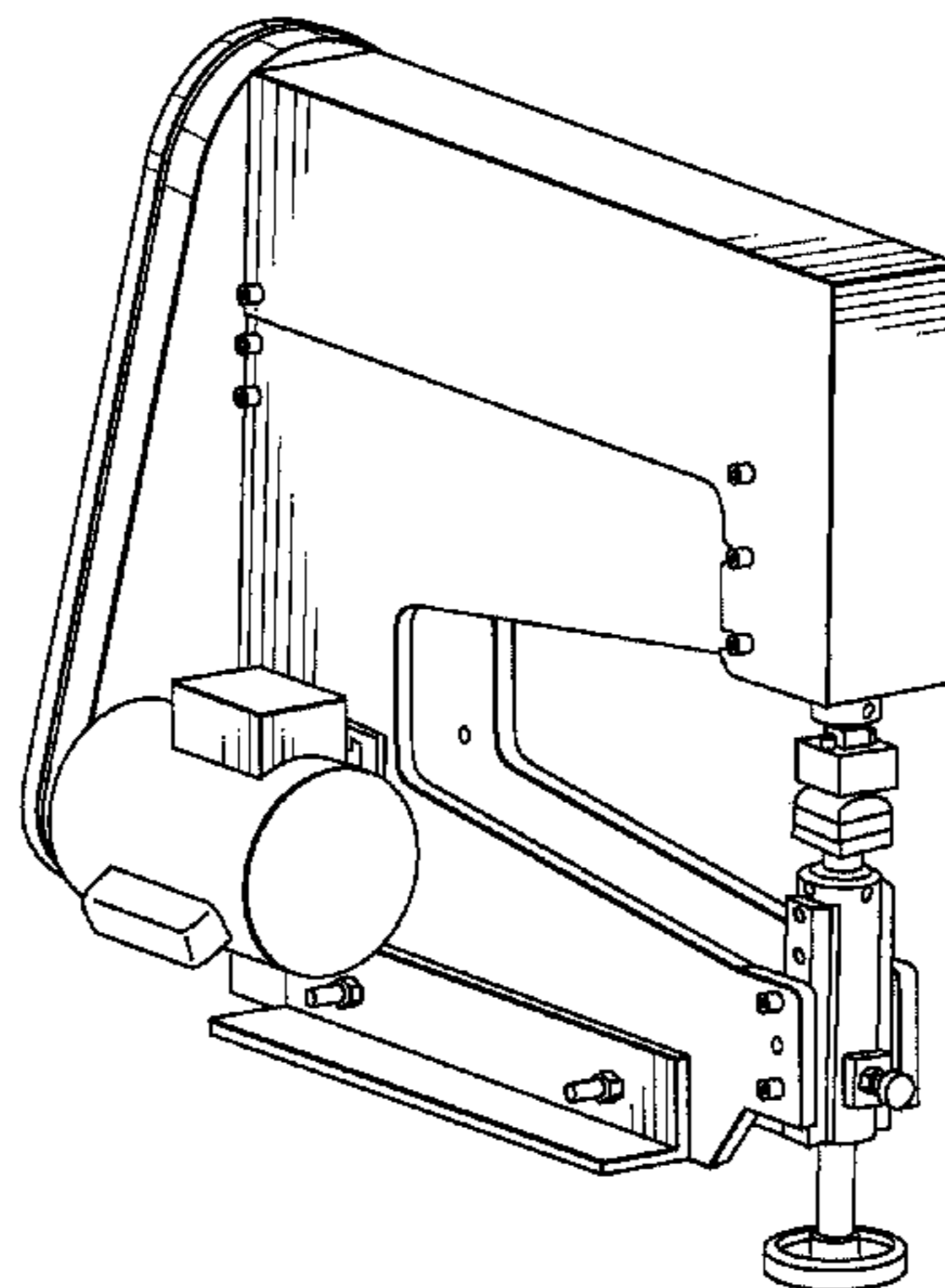


Fig. 1

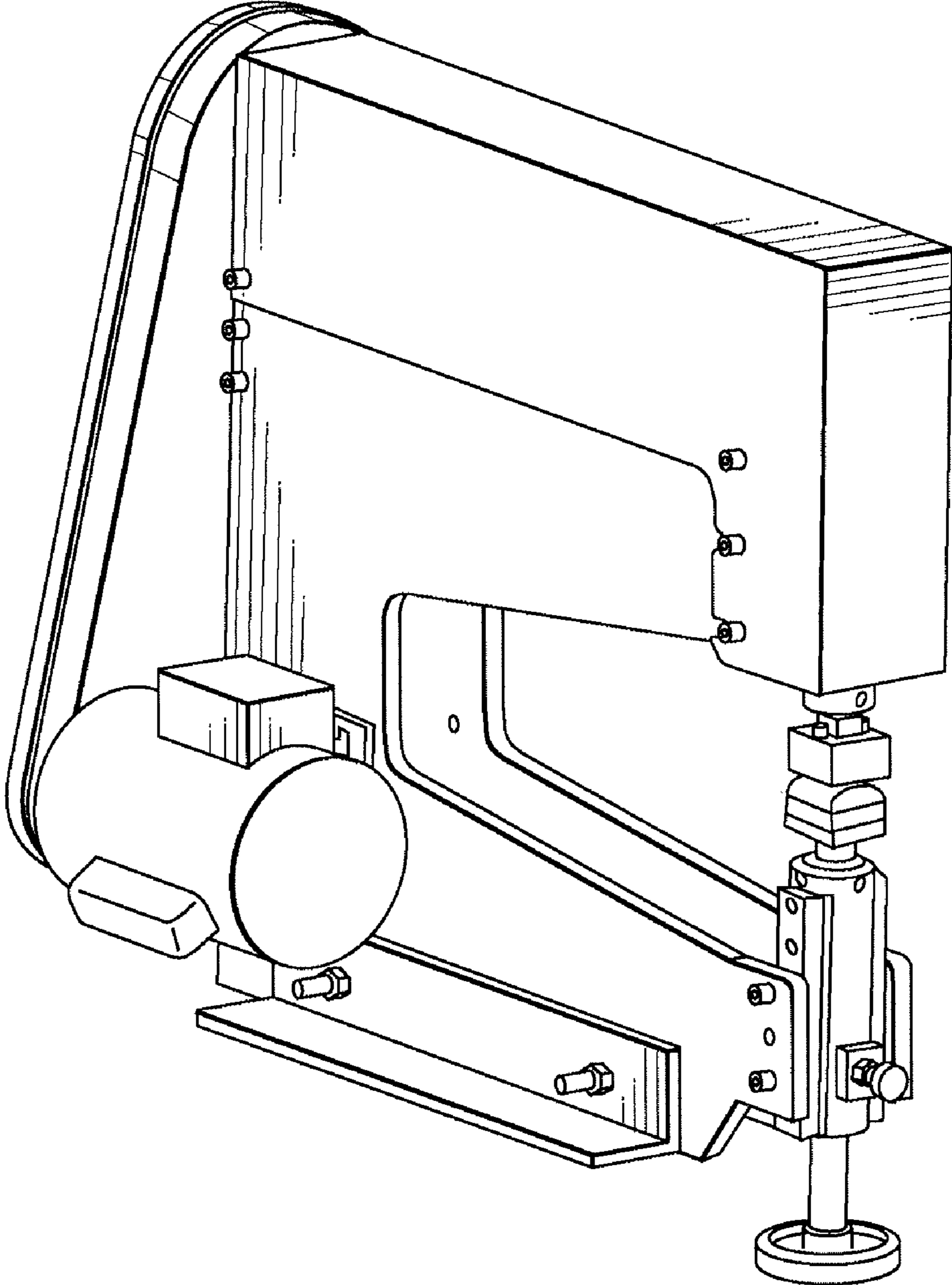


Fig. 2

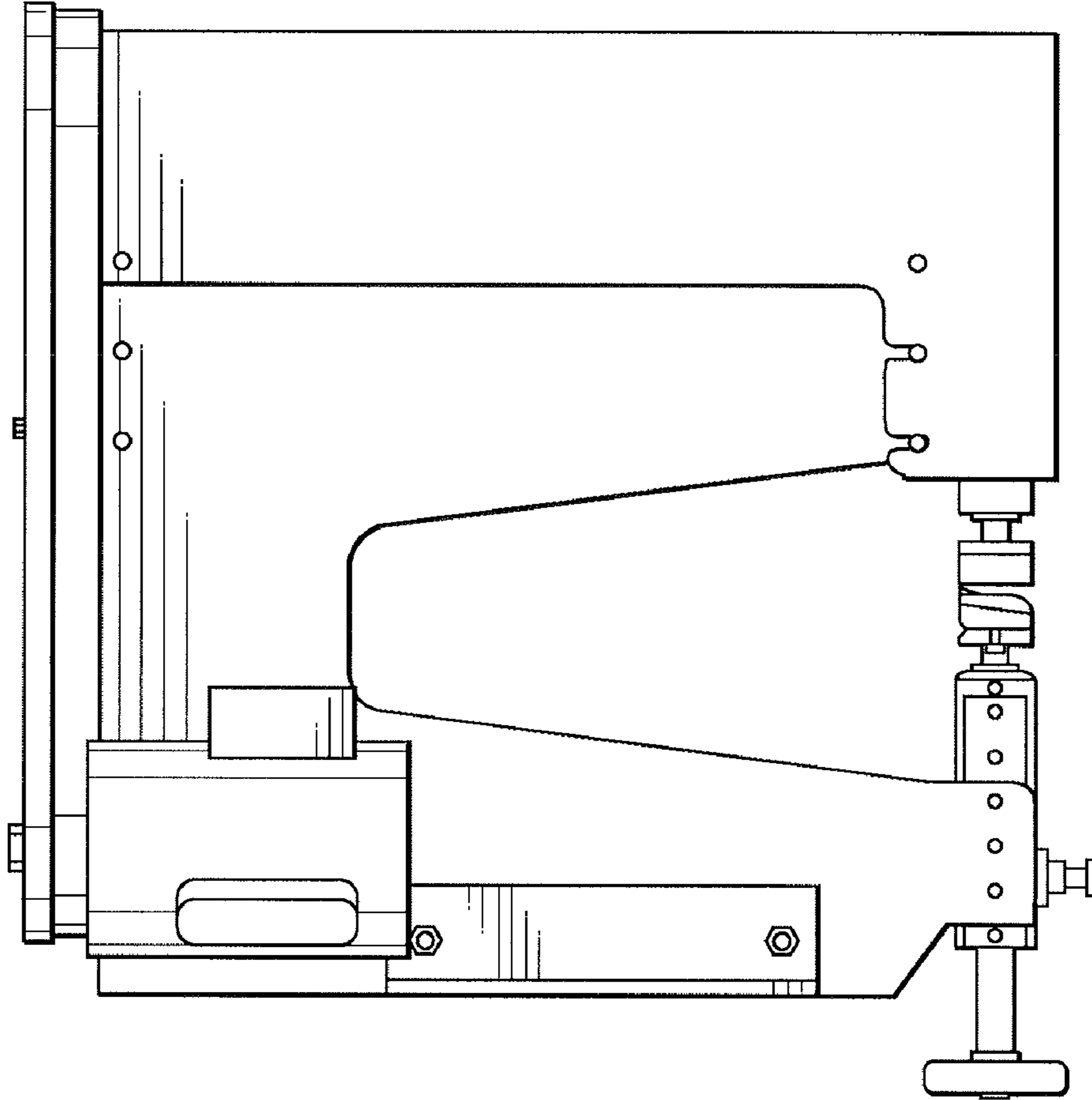


Fig. 3

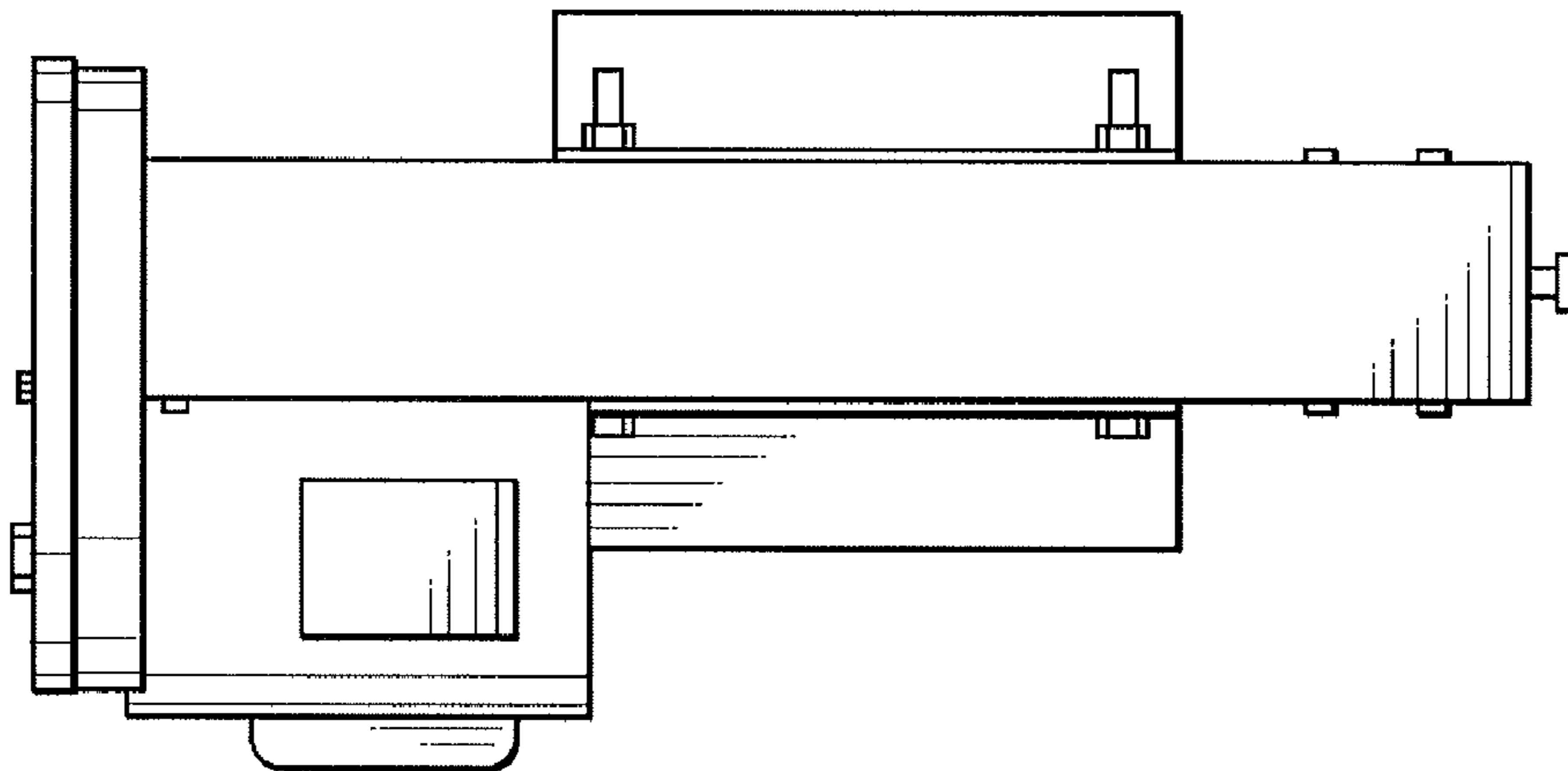


Fig. 4

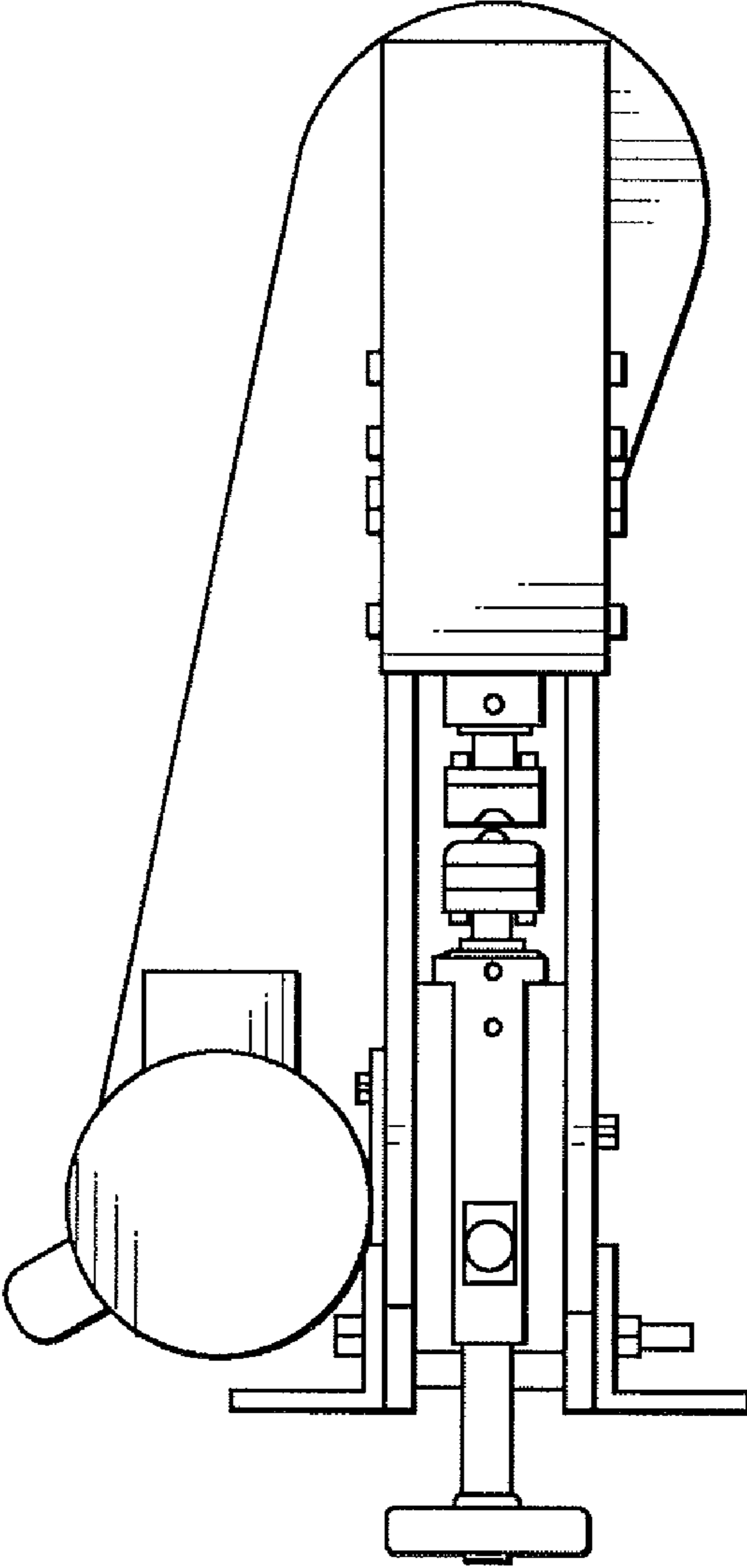


Fig. 5

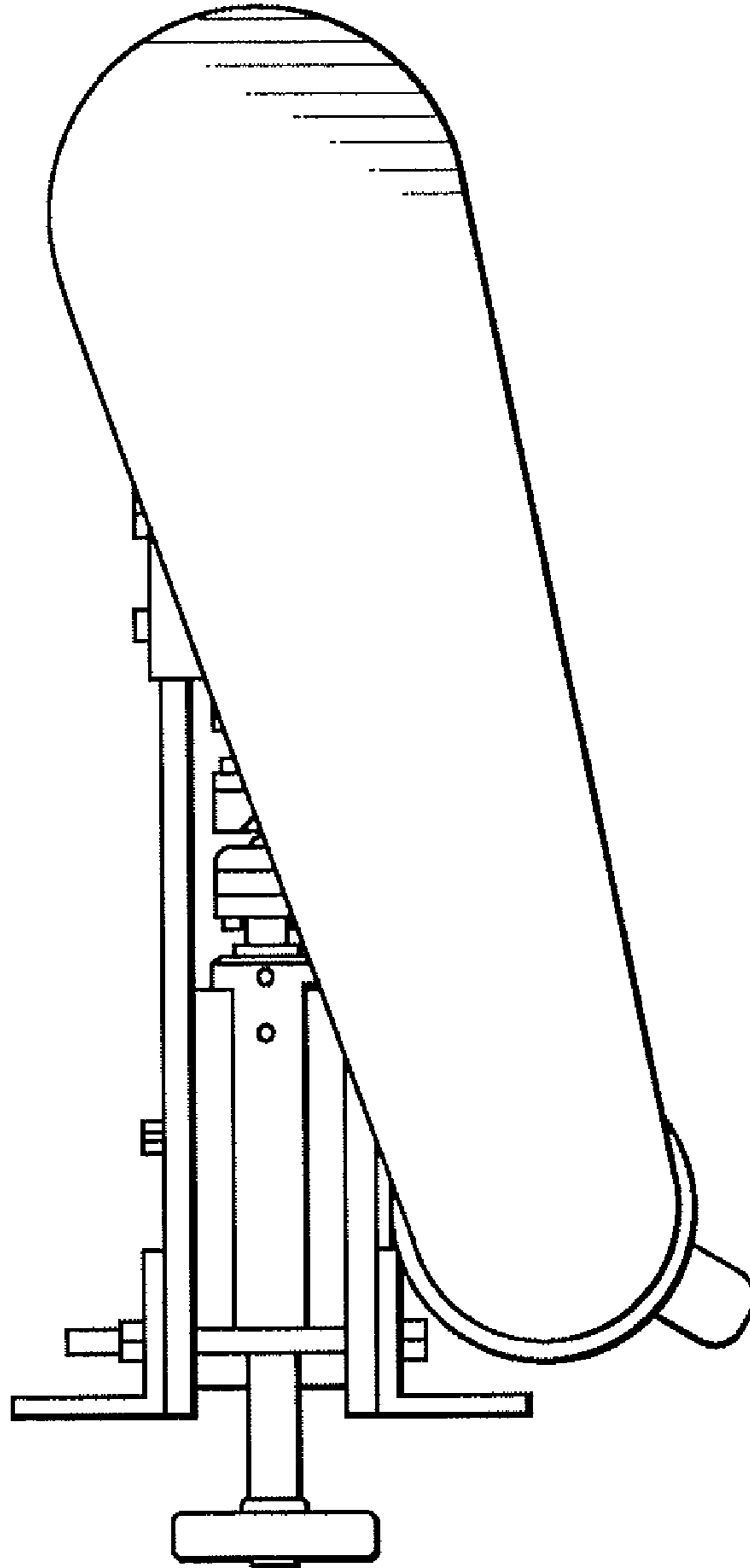


Fig. 6

