



US00D571380S

(12) **United States Design Patent**
Ugarte

(10) **Patent No.:** **US D571,380 S**
(45) **Date of Patent:** **** Jun. 17, 2008**

(54) **PORTION OF A REFRIGERATOR DISPLAY CASE**

(75) Inventor: **Jesus Ugarte**, Pamplona (ES)

(73) Assignee: **Husmann Koxka, S.L.**, Pamplona (ES)

(**) Term: **14 Years**

(21) Appl. No.: **29/223,693**

(22) Filed: **Feb. 17, 2005**
(Under 37 CFR 1.47)

(51) **LOC (8) Cl.** **15-07**

(52) **U.S. Cl.** **D15/89**

(58) **Field of Classification Search** D15/7,
D15/79, 81-89, 91, 144.1; D6/300-303,
D6/305-307, 470, 471, 474, 475, 479; D11/118,
D11/131-137, 139; D20/17, 18, 29, 30,
D20/40, 41, 43; D25/38, 47, 60, 69, 76,
D25/113, 119, 121, 122, 124-126; 52/204.1,
52/204.5; 211/13.1, 85.16; 312/72, 114-118;
62/246, 249-256, 277, 433

See application file for complete search history.

(56) **References Cited**

U.S. PATENT DOCUMENTS

D407,829 S *	4/1999	Collette et al.	D25/119
D461,827 S *	8/2002	Koebbe	D15/7
D475,144 S *	5/2003	Thornton et al.	D25/119
D521,030 S *	5/2006	Duffy et al.	D15/89
D543,561 S *	5/2007	Fogarty et al.	D15/89

OTHER PUBLICATIONS

Husmann Impact Merchandisers Brochure, "Multi-Deck Dairy/Deli Display", Catalog D-5, published in 2000.

Husmann Impact Merchandisers Brochure, "Multi-Deck Dairy/Deli End Cap Display", Catalog D5ELE, published in 1999.

Husmann Impact Merchandisers Brochure, "Multi-Deck, Convertible Merchandiser for Any Medium Temperature Application", Catalog C5, published in 2000.

Husmann Impact Merchandisers Brochure, "Multi-Deck, Convertible Merchandiser for Any Medium Temperature Application", Catalog C4, published in 2000.

Koxka, Supermarket X-Combined Freezer Display with Half-Glass Door Top, published prior to Feb. 17, 2004.

* cited by examiner

Primary Examiner—Stella M. Reid

Assistant Examiner—Shanda C Hill

(74) *Attorney, Agent, or Firm*—Michael Best & Friedrich LLP

(57) **CLAIM**

The ornamental design for a portion of a refrigerator display case, as shown and described.

DESCRIPTION

FIG. 1 is a perspective view of a portion of a refrigerator display case embodying my new design;

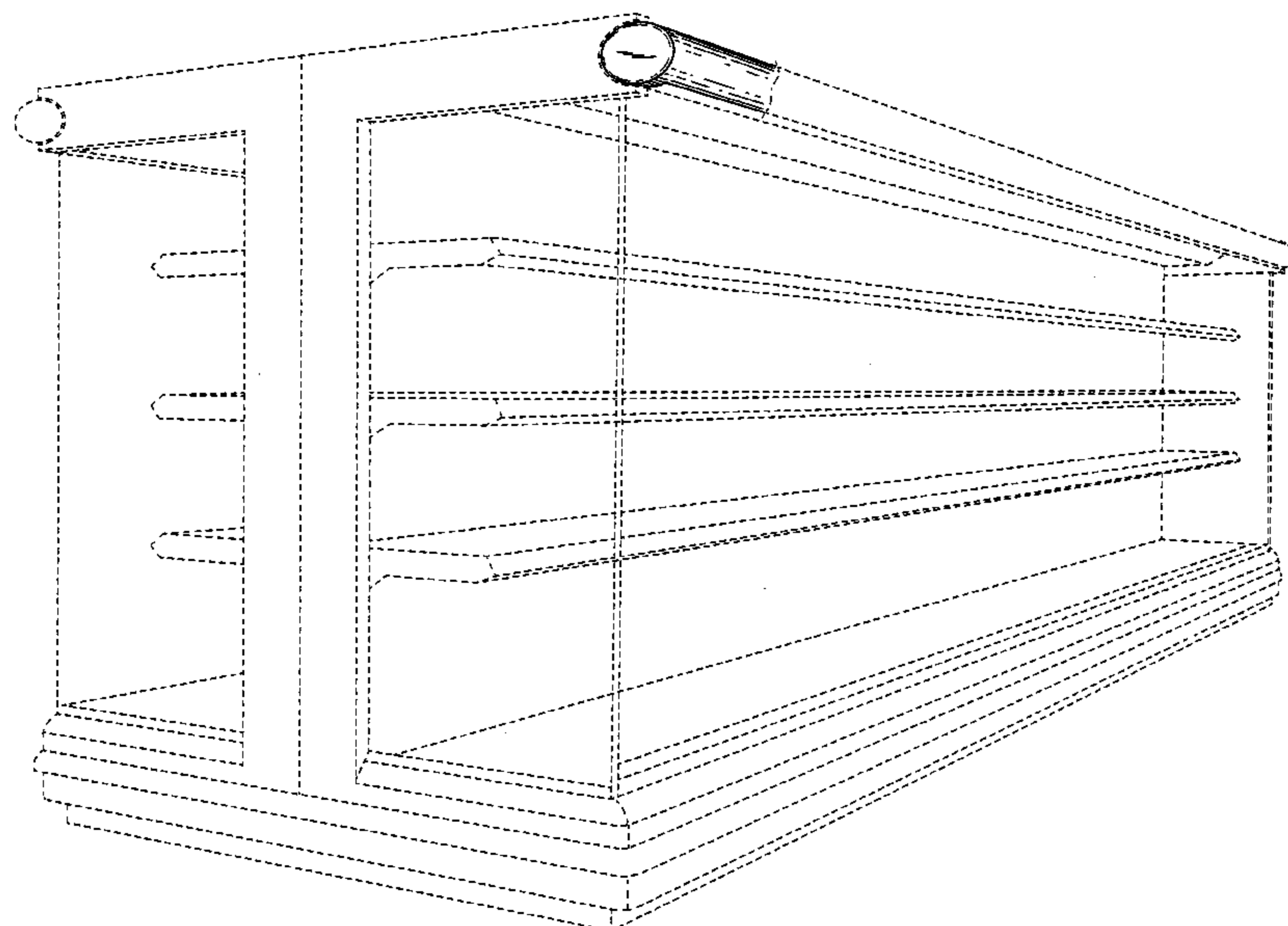
FIG. 2 is a front view of FIG. 1;

FIG. 3 is a side view of FIG. 1; and,

FIG. 4 is an enlarged top view of FIG. 1.

The broken line showing of the environment is for illustrative purposes only and forms no part of the claimed design. The broken lines which define the boundaries of the claimed design form no part thereof.

1 Claim, 4 Drawing Sheets



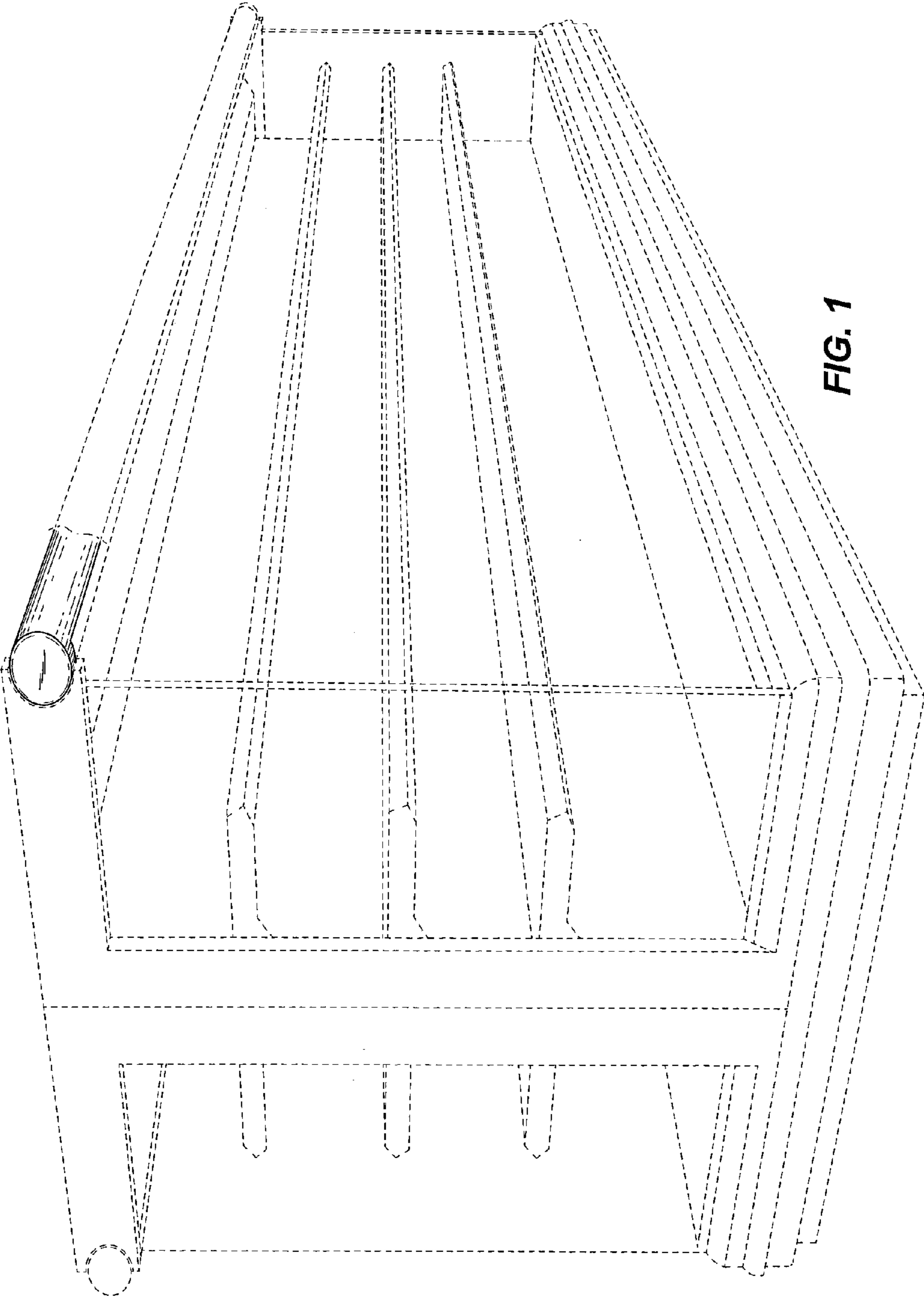


FIG. 1

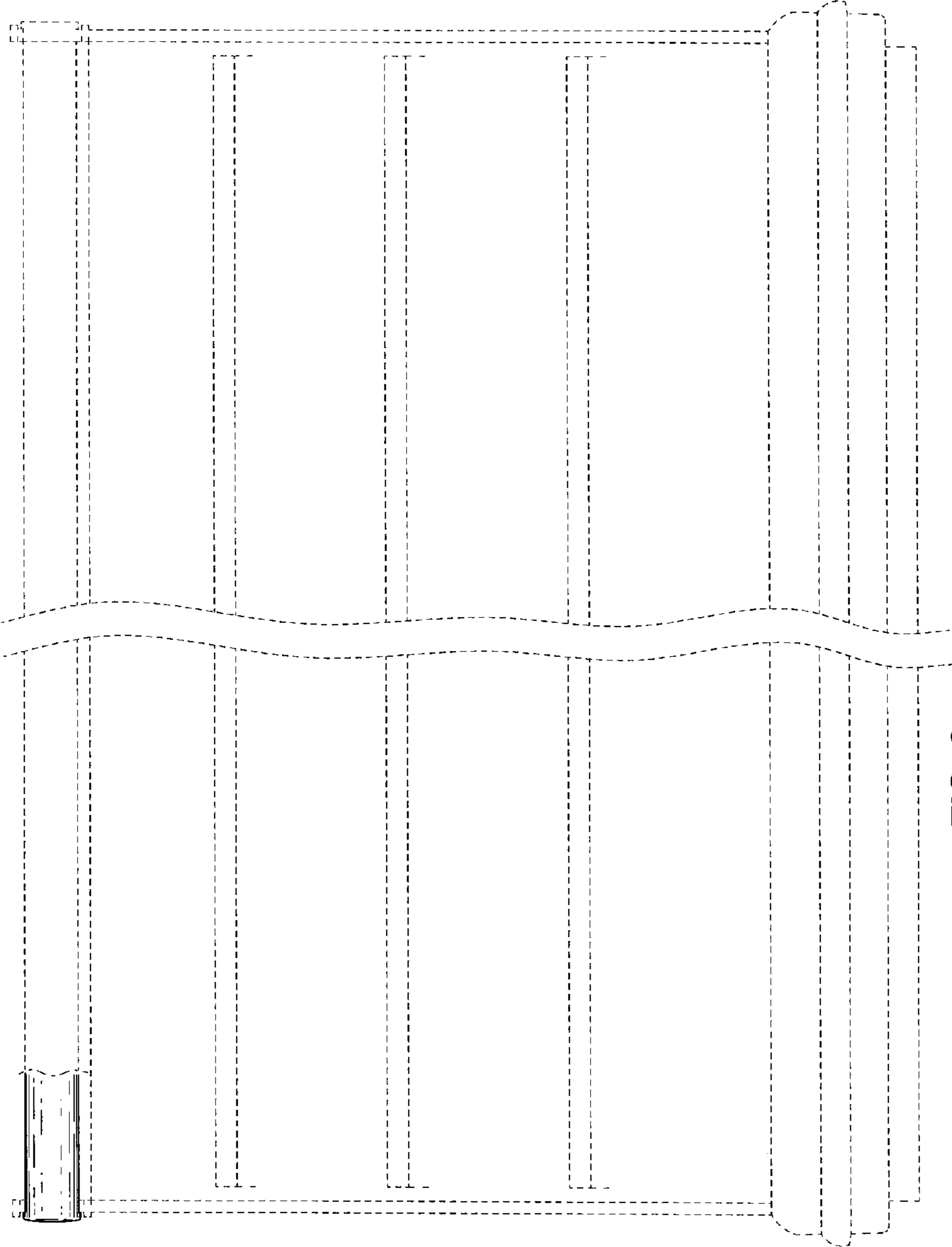


FIG. 2

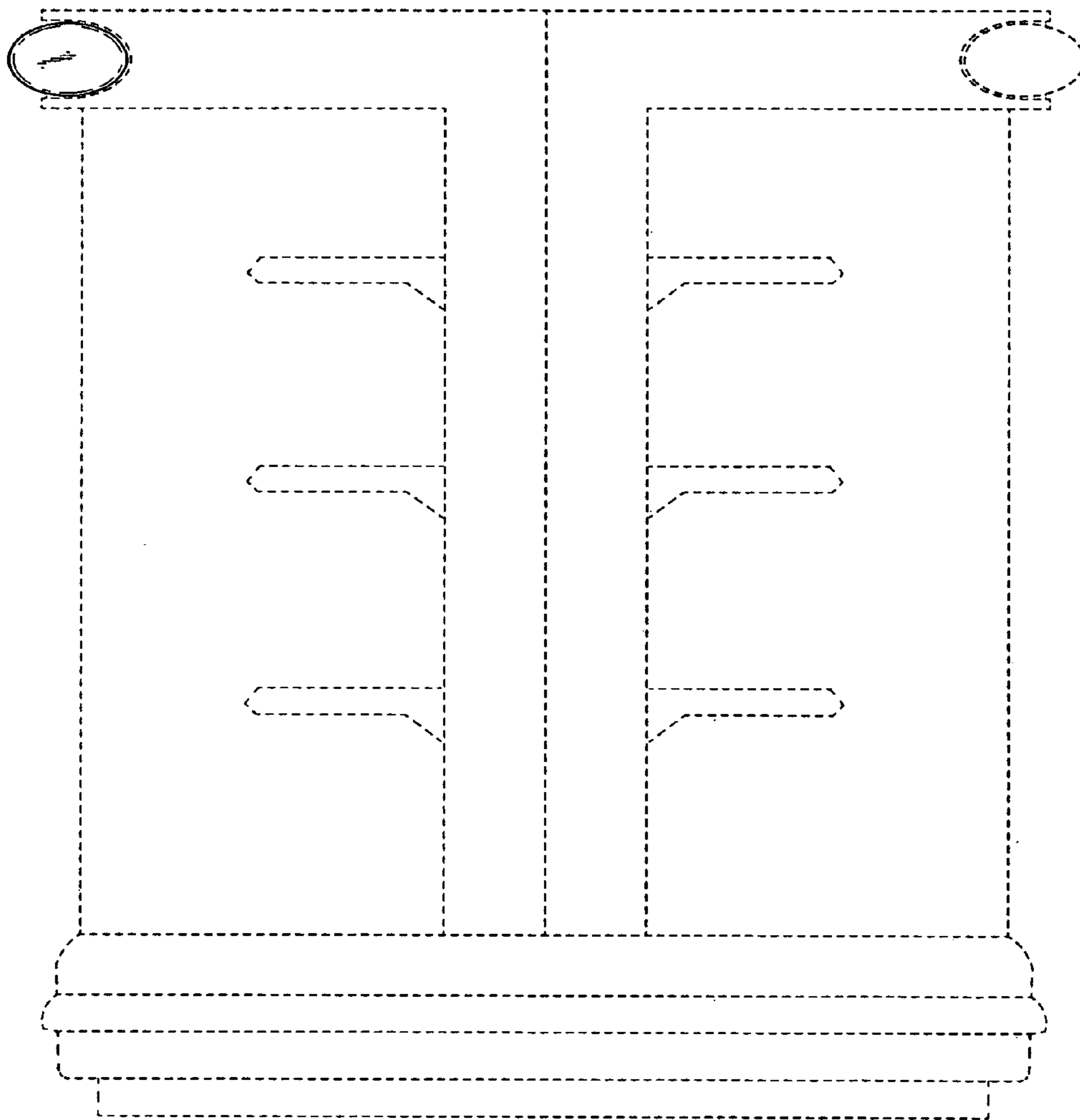


FIG. 3

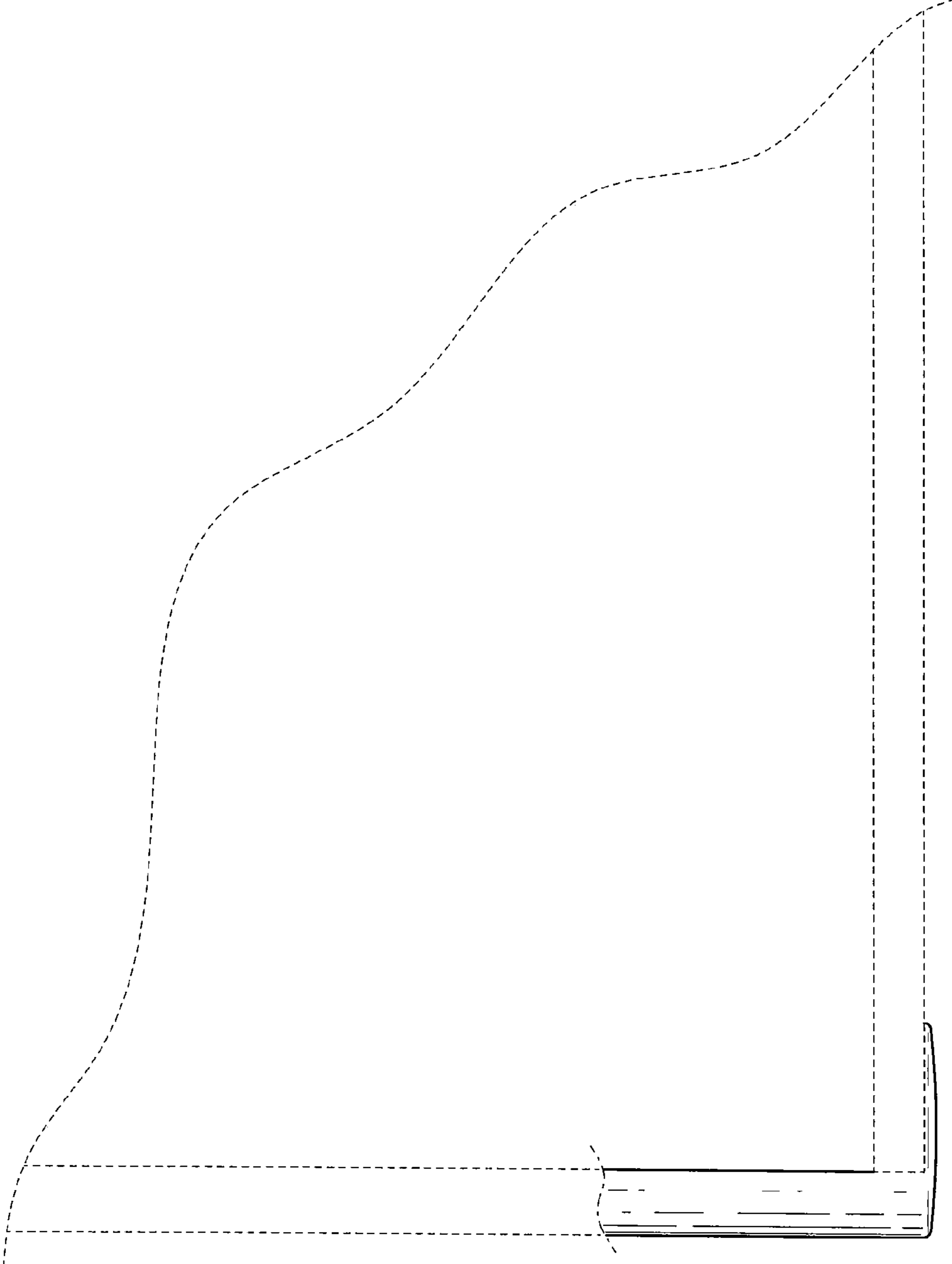


FIG. 4

UNITED STATES PATENT AND TRADEMARK OFFICE
CERTIFICATE OF CORRECTION

PATENT NO. : Des. 571,380 S
APPLICATION NO. : 29/223693
DATED : June 17, 2008
INVENTOR(S) : Jesus Ugarte

Page 1 of 1

It is certified that error appears in the above-identified patent and that said Letters Patent is hereby corrected as shown below:

In the title item [54]:

replace "REFRIGERATOR" with --REFRIGERATED--

In the Description line 1:

for FIG 1: replace "refrigerator" with --refrigerated--

In the Claim line 2:

replace "refrigerator" with --refrigerated--

Signed and Sealed this

Second Day of September, 2008



JON W. DUDAS

Director of the United States Patent and Trademark Office