

US00D571378S

(12) **United States Design Patent** (10) **Patent No.:** **US D571,378 S**  
**Bernard et al.** (45) **Date of Patent:** **\*\* Jun. 17, 2008**

(54) **VEHICLE CABIN**

(75) Inventors: **Pierre Bernard**, Laval (CA); **Guy Gaudreau**, Forestville (CA); **Marie-Claude Guay**, Lac Beauport (CA)

(73) Assignee: **RPM Tech Inc.**, Laval, Quebec (CA)

(\*\*) Term: **14 Years**

(21) Appl. No.: **29/295,537**

(22) Filed: **Oct. 1, 2007**

(51) **LOC (8) Cl.** ..... **15-03**

(52) **U.S. Cl.** ..... **D15/30**

(58) **Field of Classification Search** ..... D15/10,  
D15/15, 22-26, 28, 30, 33; D12/96; D34/37;  
180/89.1, 89.12, 89.13; 296/190.01, 79,  
296/190.08

See application file for complete search history.

(56) **References Cited**

**U.S. PATENT DOCUMENTS**

D229,046 S *	11/1973	Purcell et al.	.....	D15/30
D229,687 S *	12/1973	Babbitt et al.	.....	D15/30
3,802,530 A *	4/1974	Purcell et al.	.....	180/89.12
D236,528 S *	8/1975	Rinaldi et al.	.....	D15/30
D245,697 S *	9/1977	Skyer et al.	.....	D15/30
D245,698 S *	9/1977	Skyer et al.	.....	D15/30
D249,523 S *	9/1978	Segales	.....	D15/30
D258,823 S *	4/1981	Skyer et al.	.....	D15/30
D275,199 S *	8/1984	Schmidt et al.	.....	D15/30
D288,206 S *	2/1987	Moscovitch	.....	D15/30
D297,329 S *	8/1988	Monehaie et al.	.....	D15/30
D348,678 S *	7/1994	Budde	.....	D15/30
5,413,188 A *	5/1995	Ui	.....	180/89.12
D366,267 S *	1/1996	Lepoix	.....	D15/30
D384,358 S *	9/1997	Smith	.....	D15/30
D389,984 S *	1/1998	Johansson	.....	D34/37
5,911,624 A *	6/1999	Stauffer	.....	454/158
D424,580 S *	5/2000	Moehle et al.	.....	D15/23
D427,612 S *	7/2000	Shim	.....	D15/23

D479,536 S *	9/2003	Dahl et al.	.....	D15/30
D497,920 S *	11/2004	Antonetti	.....	D15/30
D505,432 S *	5/2005	Antonetti	.....	D15/30
D523,029 S *	6/2006	Crawford et al.	.....	D15/30
D523,875 S *	6/2006	Kim	.....	D15/30
D528,134 S *	9/2006	Vandendriessche et al.	..	D15/30
D535,310 S *	1/2007	Kuwae et al.	.....	D15/30
D549,245 S *	8/2007	Antonetti et al.	.....	D15/30

\* cited by examiner

*Primary Examiner*—Stella M. Reid

*Assistant Examiner*—Mark A Goodwin

(74) *Attorney, Agent, or Firm*—Fraser Clemens Martin & Miller LLC; J. Douglas Miller

(57) **CLAIM**

The ornamental design for a vehicle cabin, as shown and described.

**DESCRIPTION**

FIG. 1 is a perspective view of the vehicle cabin shown in full lines, further showing in dotted lines an exemplary vehicle body equipped with the vehicle cabin, the exemplary vehicle body not being part of the present design;

FIG. 2 is a top plan view of the vehicle cabin shown in FIG. 1, further showing the vehicle body in dotted lines;

FIG. 3 is a side elevation of the vehicle cabin shown in FIG. 1, further showing the vehicle body in dotted lines;

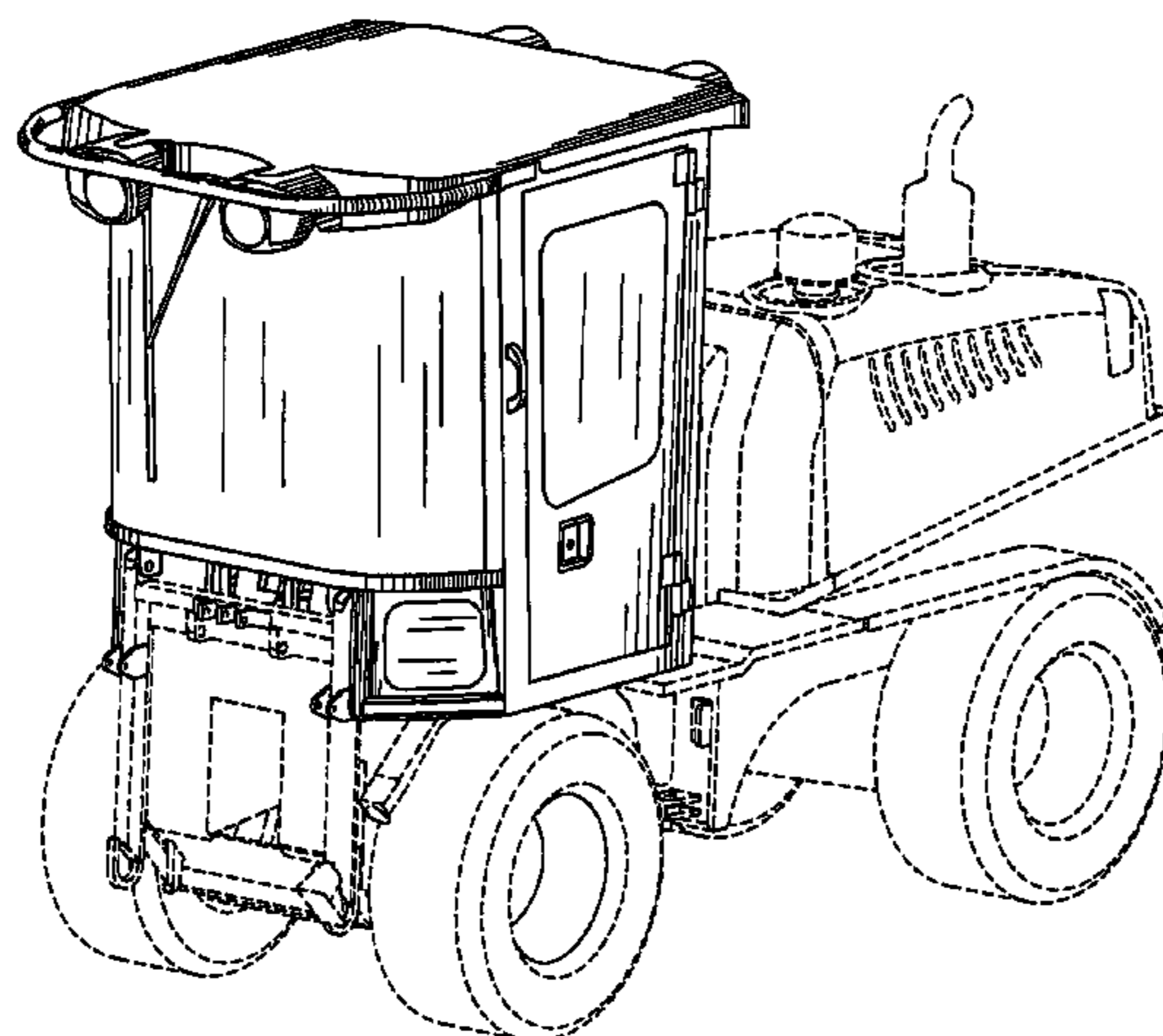
FIG. 4 is a front elevation of the vehicle cabin shown in FIG. 1, further showing the vehicle body in dotted lines; and,

FIG. 5 is a rear elevation of the vehicle cabin shown in FIG. 1, further showing the vehicle body in dotted lines.

The portions of the opposite side view which cannot be seen in the drawings forms no part of the claimed design.

The ornamental design which is claimed is shown in solid lines in the drawings. Any broken lines in the drawings are for illustrative purposes only and form no part of the claimed design.

**1 Claim, 5 Drawing Sheets**



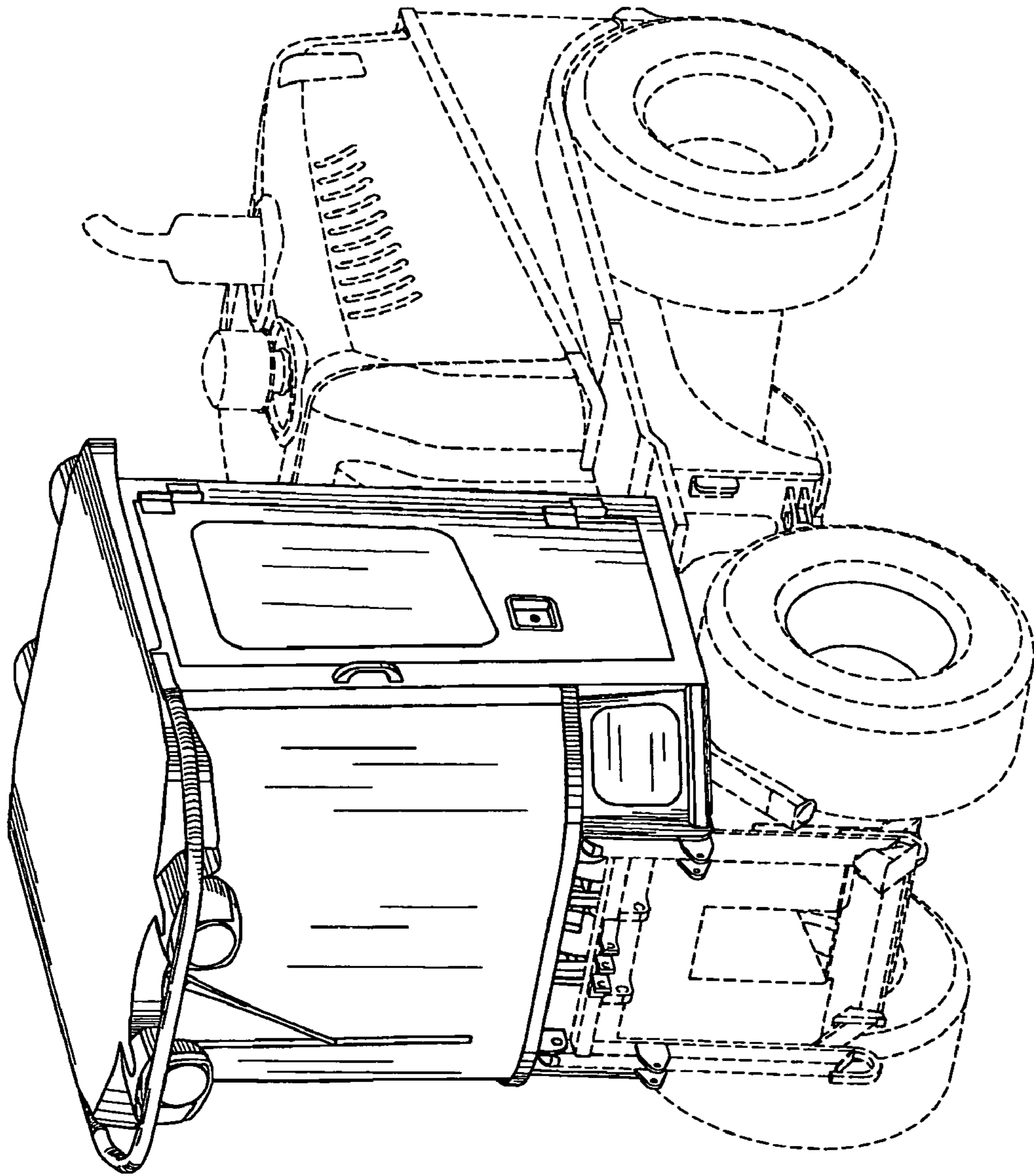


Fig. 1

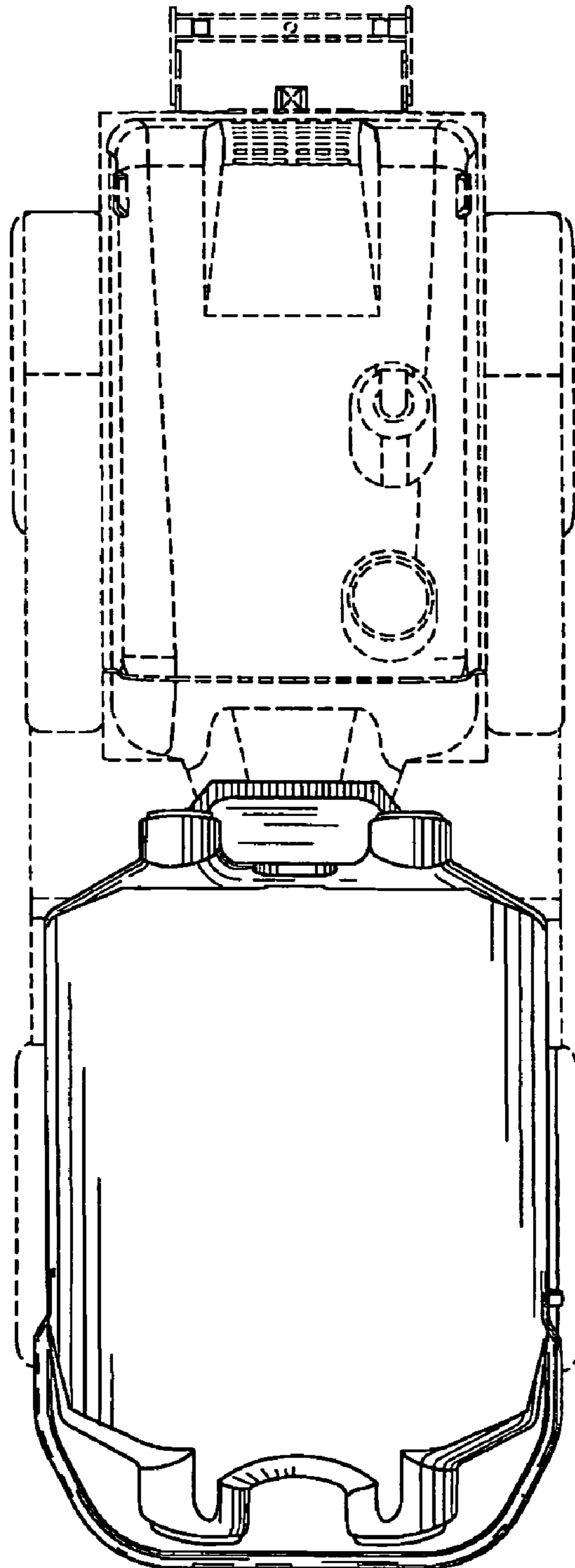


Fig. 2

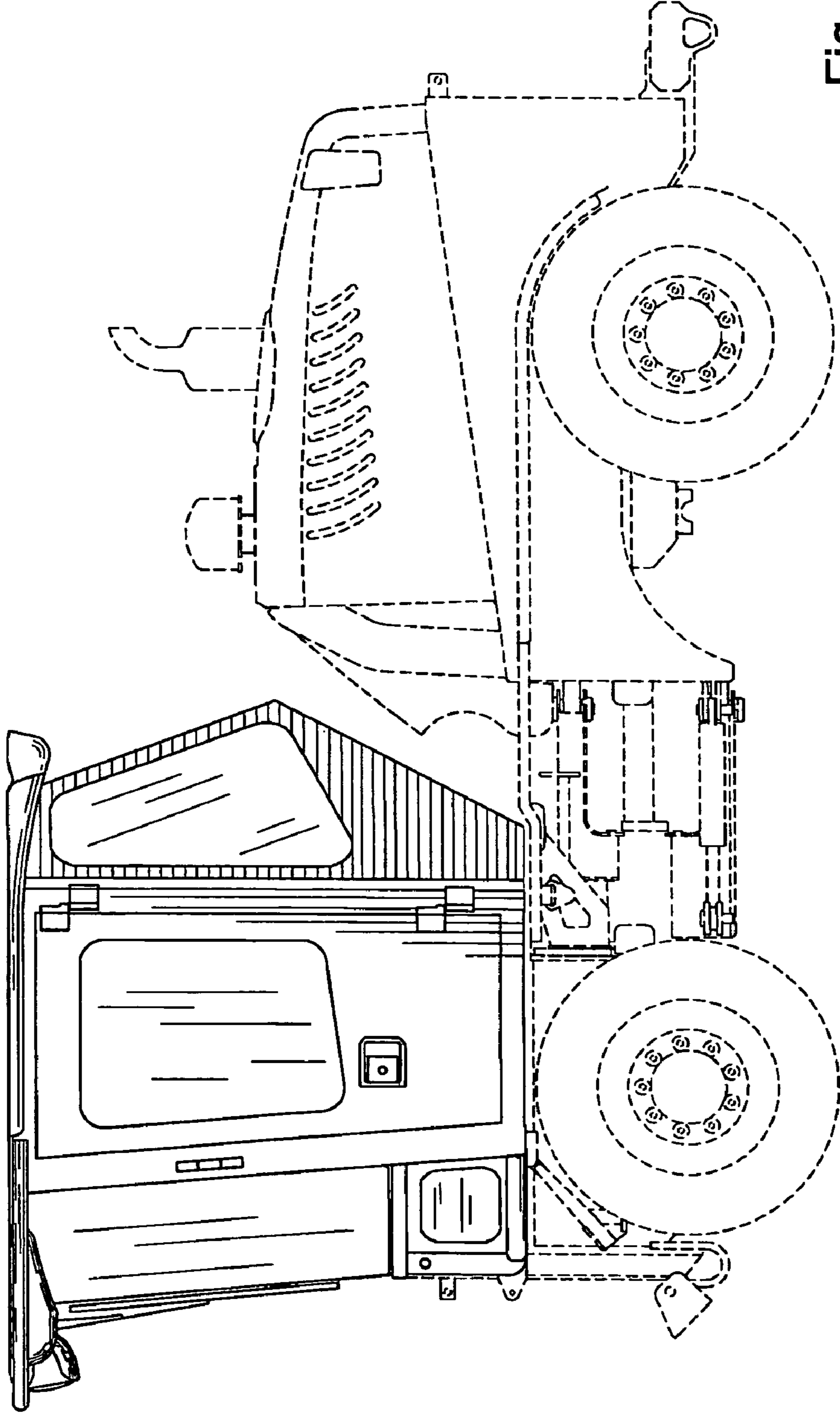


Fig. 3

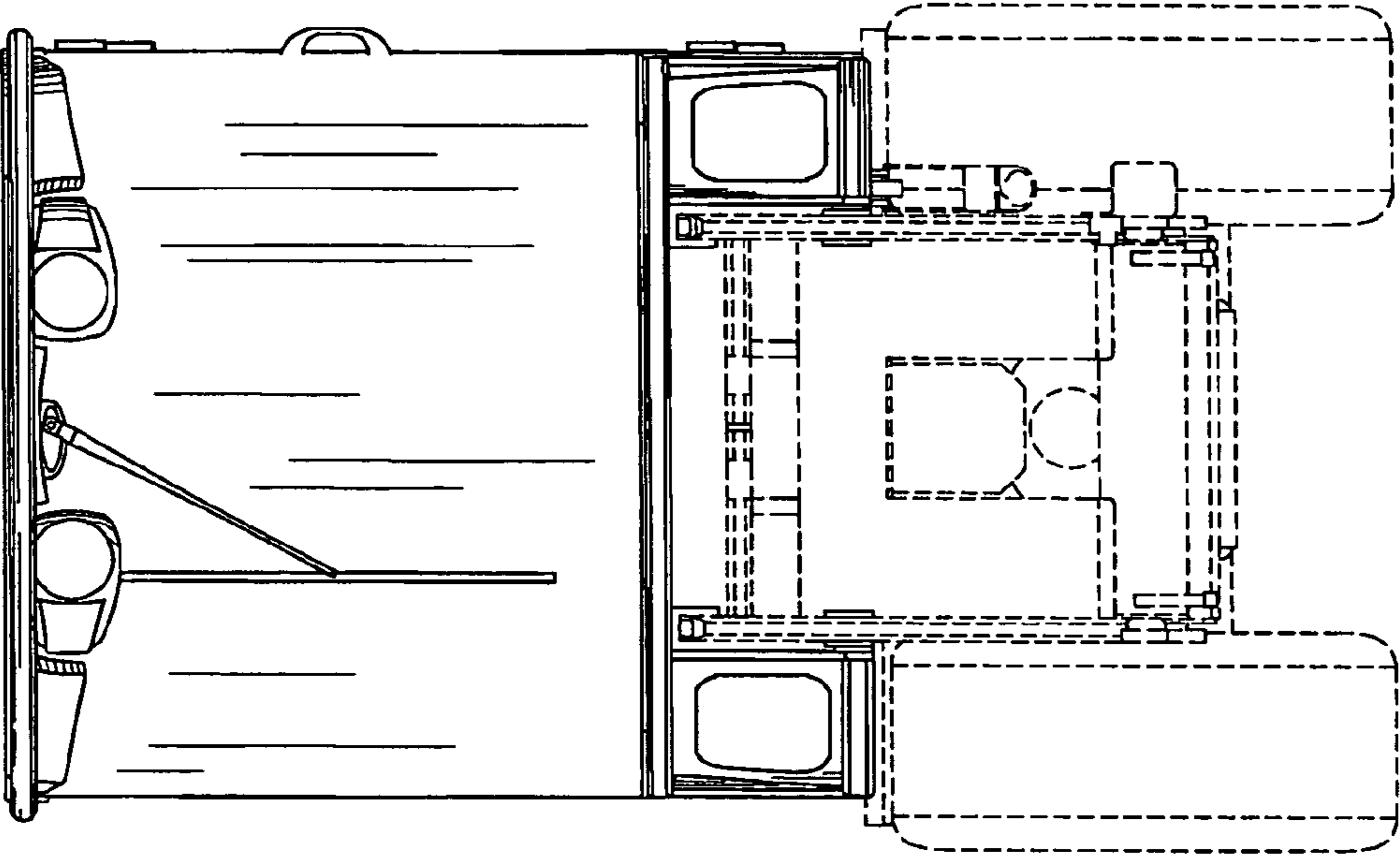


Fig. 4

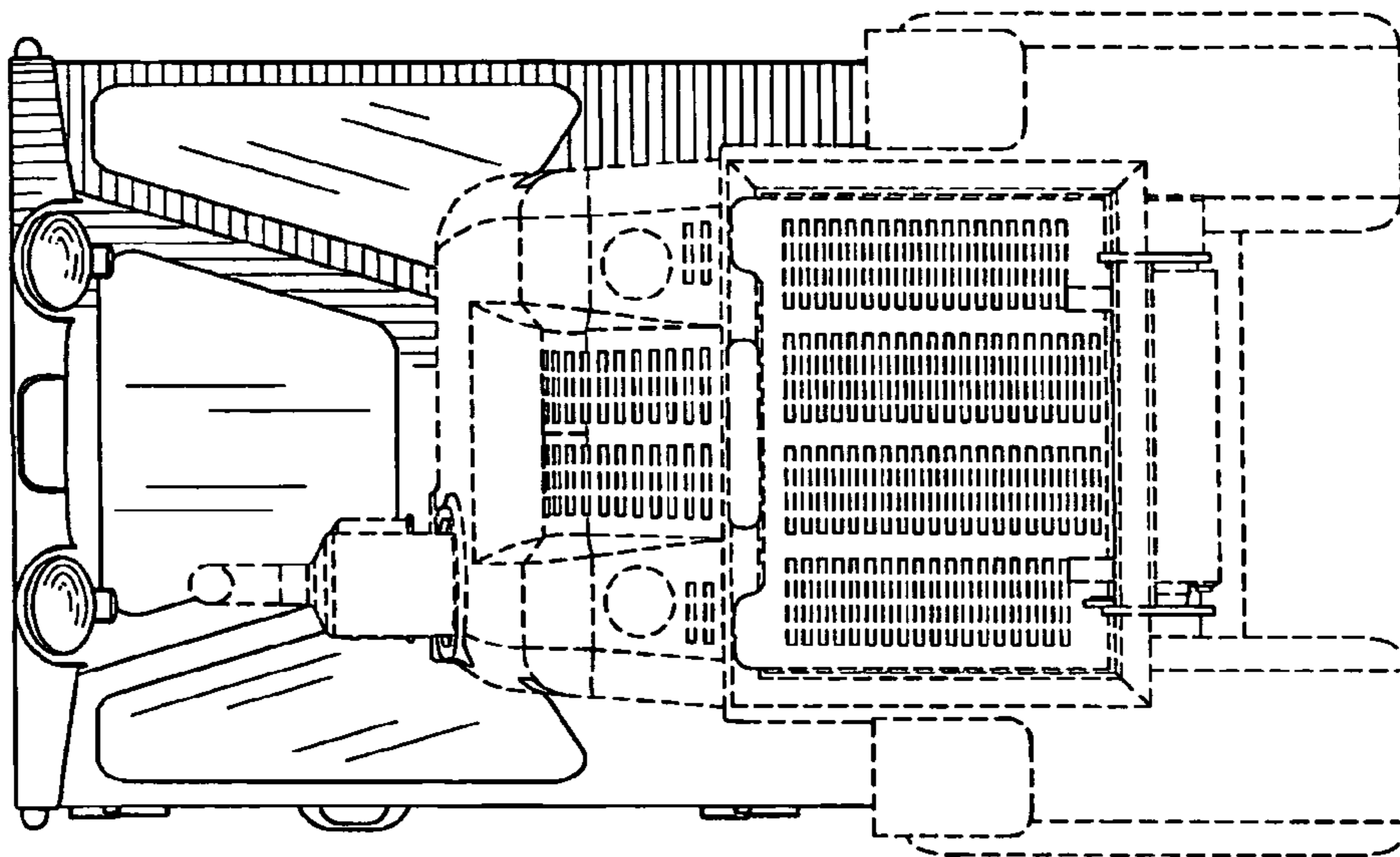


Fig. 5