

US00D571377S

(12) **United States Design Patent**
Ledbetter et al.

(10) **Patent No.:** **US D571,377 S**
(45) **Date of Patent:** **** Jun. 17, 2008**

(54) **PORTION OF A MEDIA PLAYER HAVING AN ILLUMINATED WINDOW**

7,258,449 B2 * 8/2007 Chong et al. 353/85

FOREIGN PATENT DOCUMENTS

(75) Inventors: **Carl J. Ledbetter**, Mercer Island, WA (US); **Catherine Kim**, Seattle, WA (US)

JP D1250015 7/2005

OTHER PUBLICATIONS

(73) Assignee: **Microsoft Corporation**, Redmond, WA (US)

Color images of Microsoft Zune product, 3 sheets, dated 2006.

U.S. Appl. No. 29/247,964, filed Jul. 21, 2006.

U.S. Appl. No. 29/247,965, filed Jul. 21, 2006.

U.S. Appl. No. 29/247,966, filed Jul. 21, 2006.

U.S. Appl. No. 29/247,967, filed Jul. 21, 2006.

U.S. Appl. No. 29/247,968, filed Jul. 21, 2006.

(**) Term: **14 Years**

(21) Appl. No.: **29/280,360**

Apple Corporation, iPod images, 1 color sheet, dated 2006 (or as listed by model).

(22) Filed: **May 24, 2007**

* cited by examiner

(51) **LOC (8) Cl.** **14-03**

Primary Examiner—Prabhakar Deshmukh

(52) **U.S. Cl.** **D14/496**

(74) *Attorney, Agent, or Firm*—Banner & Witcoff, Ltd.

(58) **Field of Classification Search** D14/496,
D14/401, 435, 474, 483, 217, 137, 138, 160,
D14/168; 345/156–169; 353/82, 85, 29;
362/253, 162; 715/727–729, 864; 455/11.1,
455/773, 344–347, 93, 95; 370/342–344;
369/1, 2, 6, 12; 463/43–47; 273/148 B

(57) **CLAIM**

See application file for complete search history.

The ornamental design for a portion of a media player having an illuminated window, as shown and described.

DESCRIPTION

(56) **References Cited**

FIG. 1 is a top isometric view of a portion of a media player having an illuminated window showing our new design;

U.S. PATENT DOCUMENTS

FIG. 2 is a rear elevational view thereof;

- 3,950,098 A * 4/1976 Caine 356/3
- 3,982,344 A * 9/1976 Phillips 40/361
- 4,025,896 A * 5/1977 Hintze et al. 362/253
- 4,565,022 A * 1/1986 Chapin 40/442
- 5,406,729 A * 4/1995 Bejin 40/433
- 6,486,873 B1 * 11/2002 McDonough et al. 345/163
- 6,491,395 B2 * 12/2002 Shirakura et al. 353/7
- 6,793,365 B1 * 9/2004 Rieck 362/162
- D503,409 S * 3/2005 Wong et al. D14/496
- 6,930,881 B2 * 8/2005 Karidis et al. 361/683
- D513,617 S * 1/2006 Tierney D14/496
- D520,516 S * 5/2006 Yang D14/496

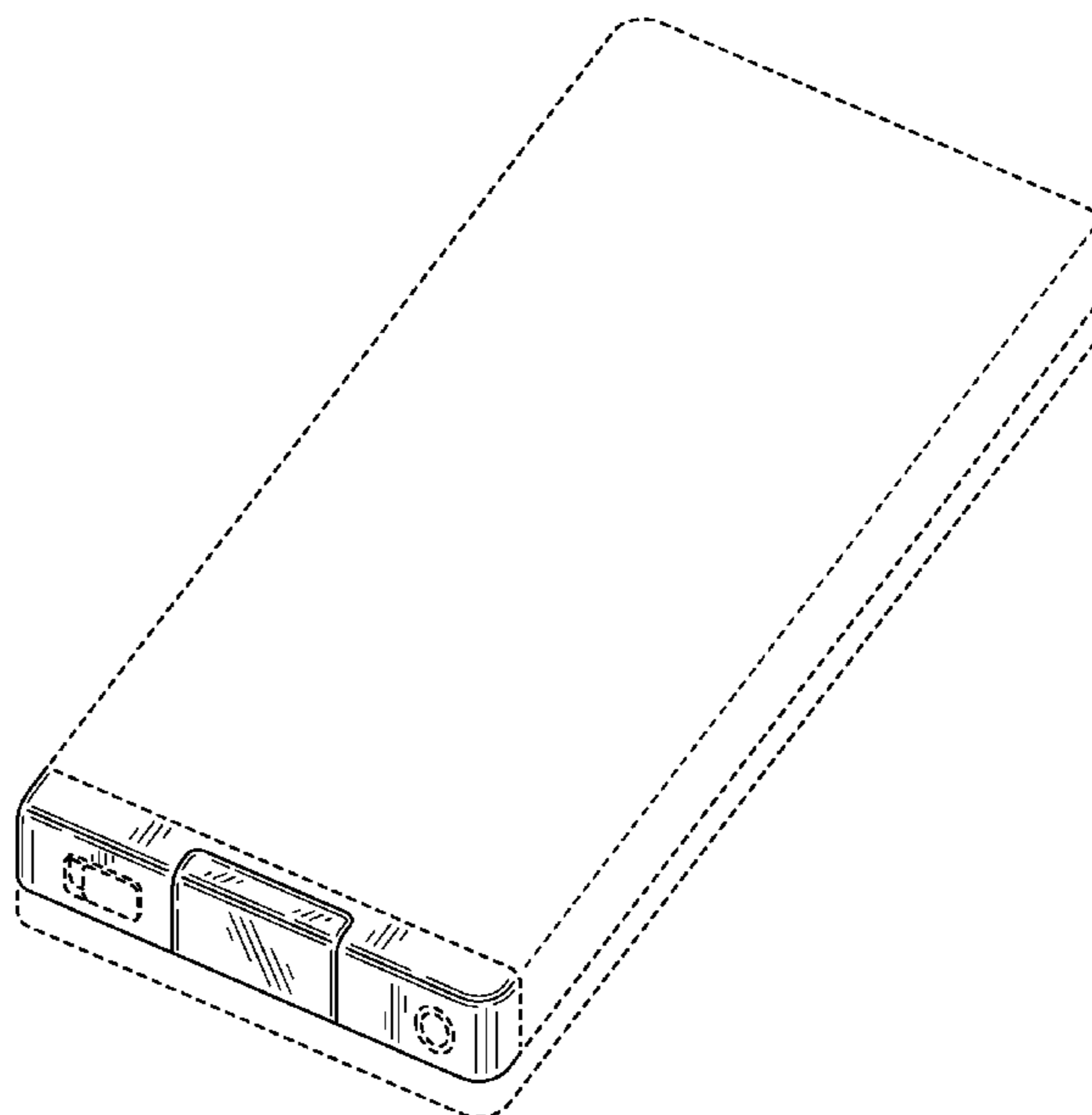
FIG. 3 is a left side view thereof;

FIG. 4 is a right side view thereof; and,

FIG. 5 is a top view thereof.

The broken line showing of the various regions and the remainder of the media player is for illustrative purposes and forms no part of the claimed design. The broken lines, which define certain bounds of the claimed design, form no part thereof.

1 Claim, 4 Drawing Sheets



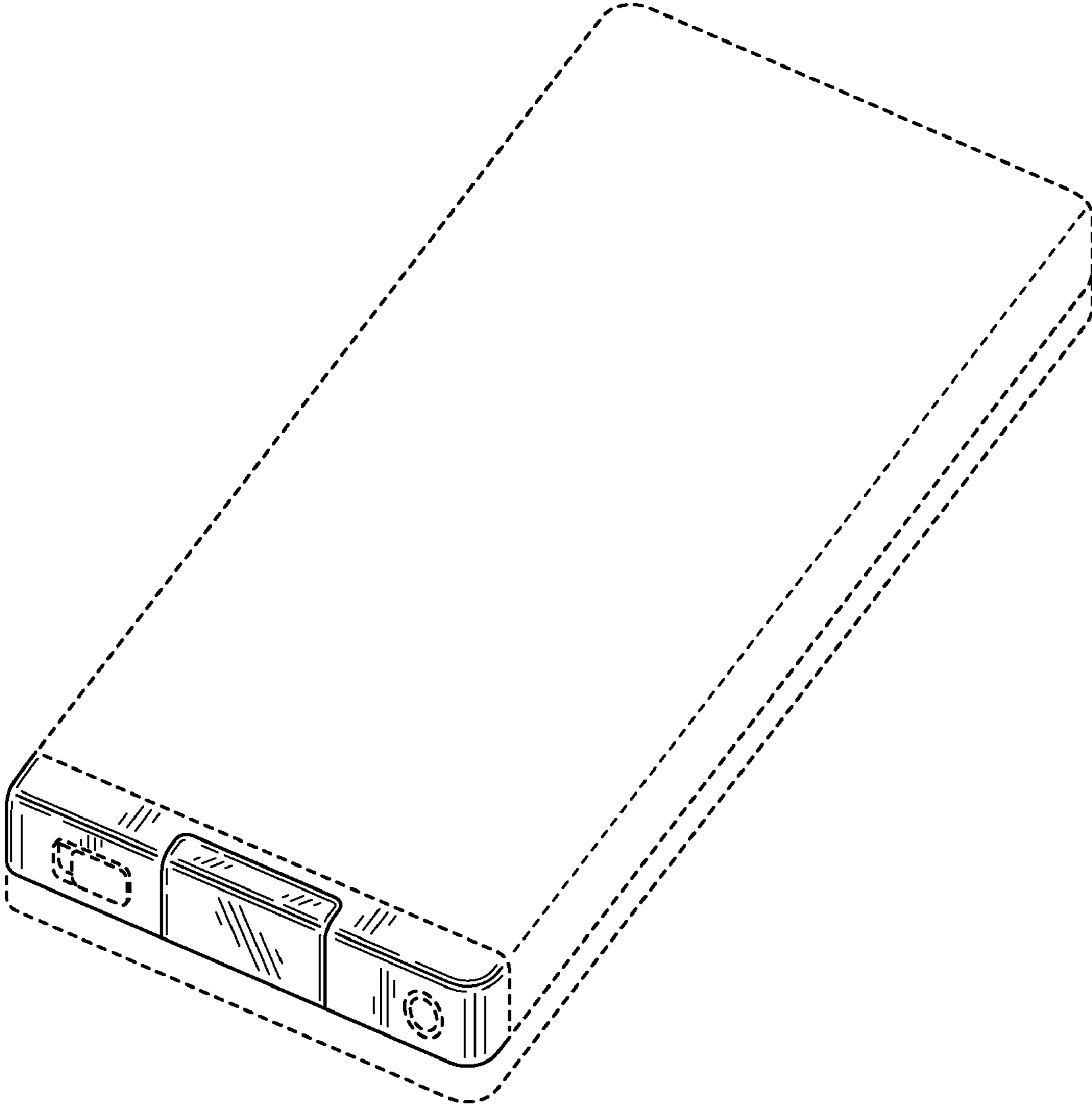


FIG. 1

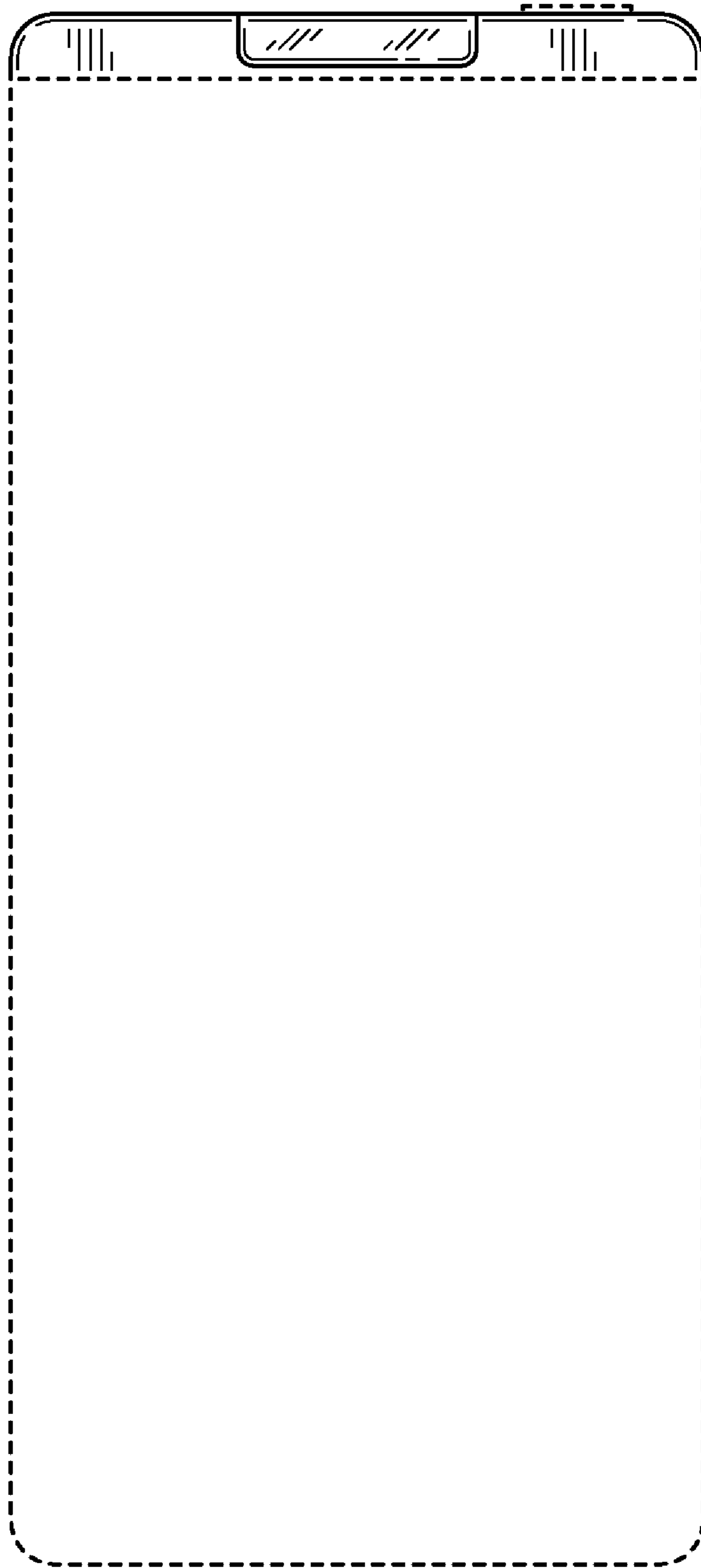


FIG. 2

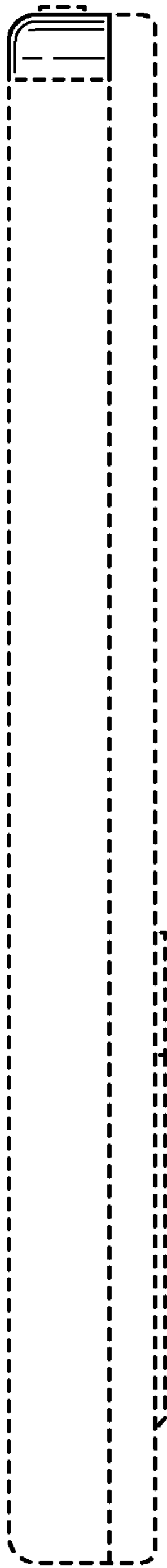


FIG. 3

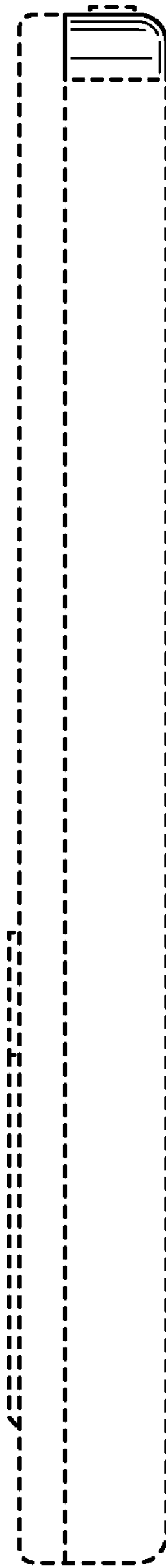


FIG. 4

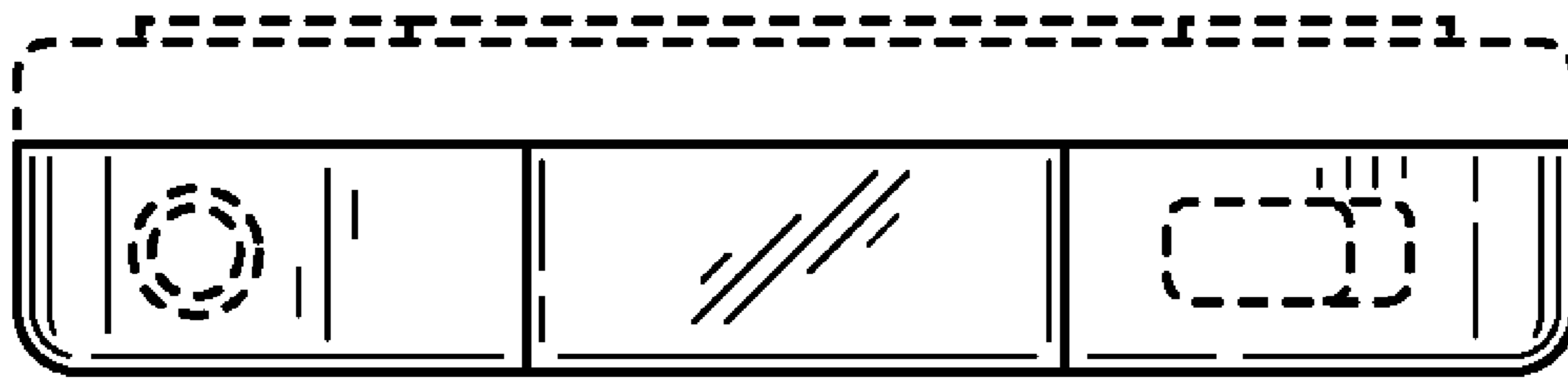


FIG. 5