

US00D571371S

(12) **United States Design Patent**
Kuroda et al.

(10) **Patent No.:** **US D571,371 S**
(45) **Date of Patent:** **** Jun. 17, 2008**

(54) **SCANNER**

(75) Inventors: **Hiroyuki Kuroda**, Kahoku (JP); **Kiichi Taniho**, Kahoku (JP); **Shuji Hashimoto**, Komatsu (JP)

(73) Assignee: **PFU Limited**, Kahoku (JP)

(**) Term: **14 Years**

(21) Appl. No.: **29/272,746**

(22) Filed: **Feb. 16, 2007**

(30) **Foreign Application Priority Data**

Nov. 8, 2006 (JP) 2006-030446

(51) **LOC (8) Cl.** **14-02**

(52) **U.S. Cl.** **D14/422**

(58) **Field of Classification Search** D14/421-425,
D14/462-470, 340, 383-390, 335; D18/36-39,
D18/55, 50, 54, 53, 56, 14, 18, 19, 46-49;
355/81, 75, 78; 399/405, 367, 379, 380;
358/496-498, 524, 408, 514, 515, 474, 505;
235/470, 462.43, 482, 483; 400/613, 613.1-613.14,
400/691-694; 101/93.4, 269
See application file for complete search history.

(56) **References Cited**

U.S. PATENT DOCUMENTS

D260,884 S * 9/1981 Sakamoto D14/340
D273,584 S * 4/1984 McGarvey et al. D14/335
D294,250 S * 2/1988 Watanabe et al. D14/130
D303,956 S * 10/1989 Ditzik D14/335
D333,304 S * 2/1993 Taniuchi et al. D14/467
D333,672 S * 3/1993 Minamizono D18/4.5

D338,878 S * 8/1993 Savio D18/4.5
D344,513 S * 2/1994 Taniuchi et al. D14/144
D358,409 S * 5/1995 Whiston D18/4.1

OTHER PUBLICATIONS

U.S. Appl. No. 29/287,910, filed Oct. 1, 2007, Taniho et al.

* cited by examiner

Primary Examiner—Melanie Tung

Assistant Examiner—Susan Moon Lee

(74) *Attorney, Agent, or Firm*—Staas & Halsey LLP

(57) **CLAIM**

The ornamental design for a scanner, as shown and described.

DESCRIPTION

FIG. 1 is a front perspective view of a scanner showing our new design;

FIG. 2 is a front view thereof;

FIG. 3 is a rear view thereof;

FIG. 4 is a right side elevational view thereof;

FIG. 5 is a left side elevational view thereof;

FIG. 6 is a top plan view thereof;

FIG. 7 is a bottom plan view thereof;

FIG. 8 is a front perspective view similar to FIG. 1 with a guide extended; and,

FIG. 9 is a front perspective view similar to FIG. 1 with the keyboard raised.

The portions shown in broken line are for illustrative purposes only and form no part of the claimed design.

1 Claim, 5 Drawing Sheets

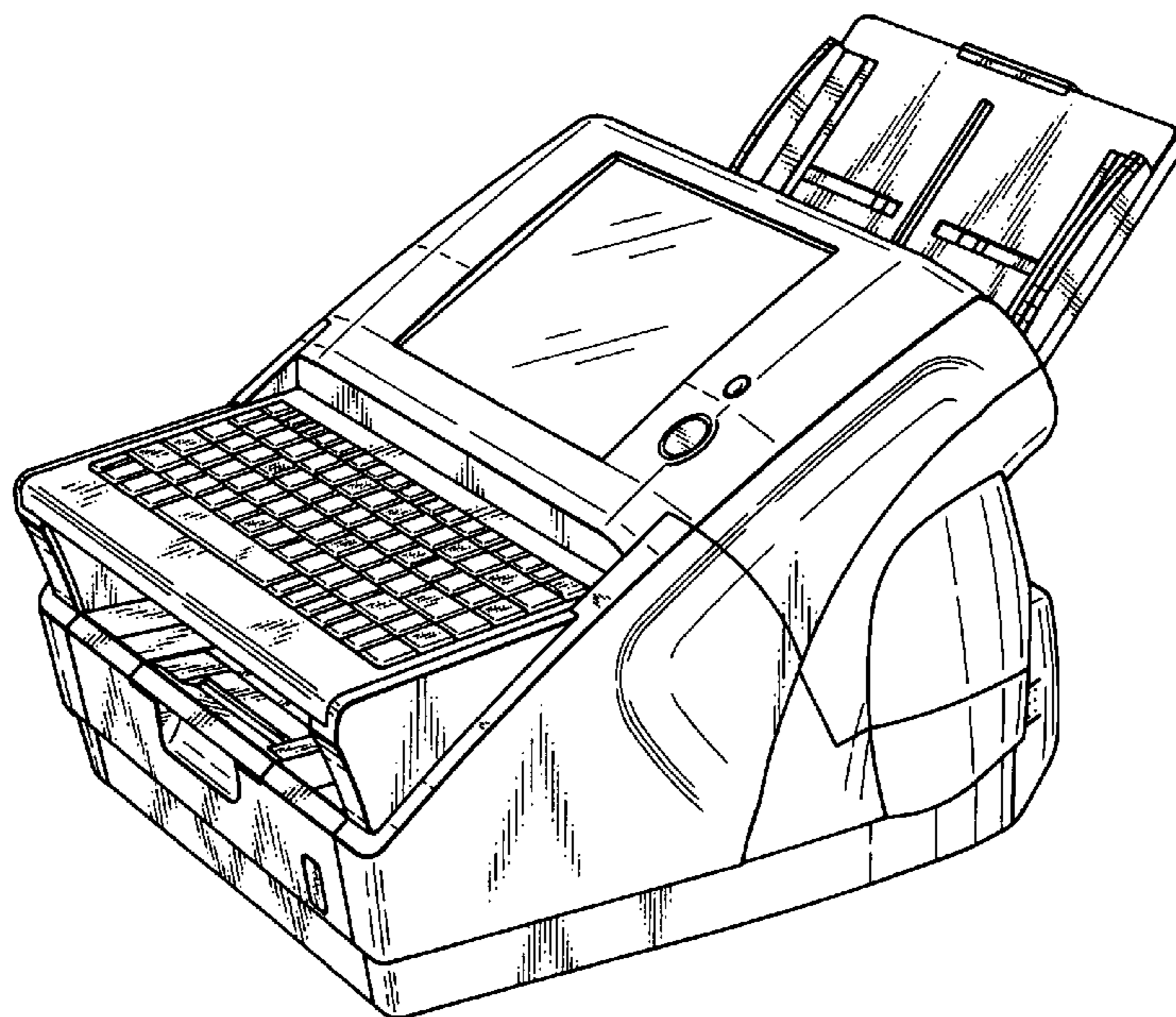


Fig.1

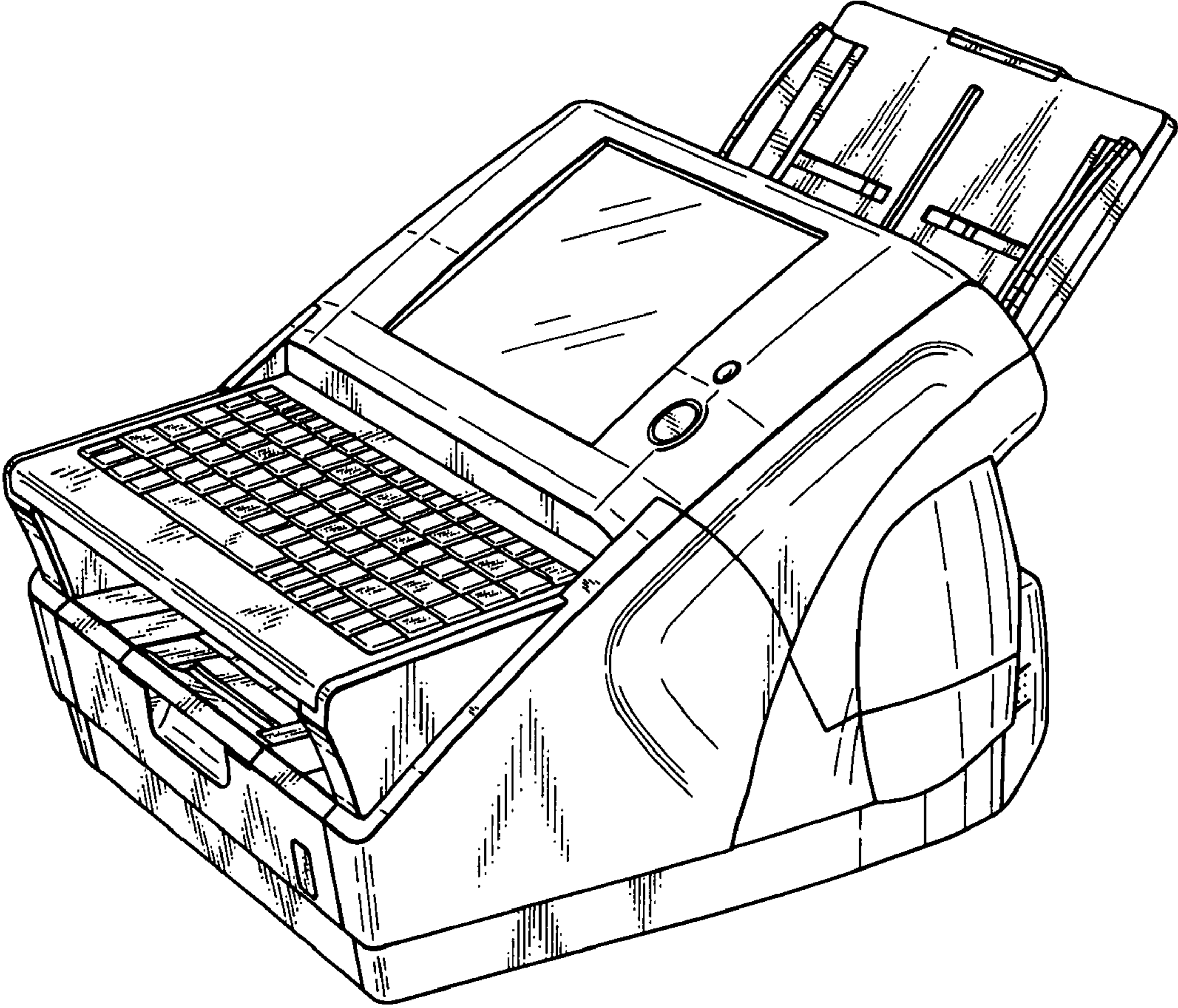


Fig.2

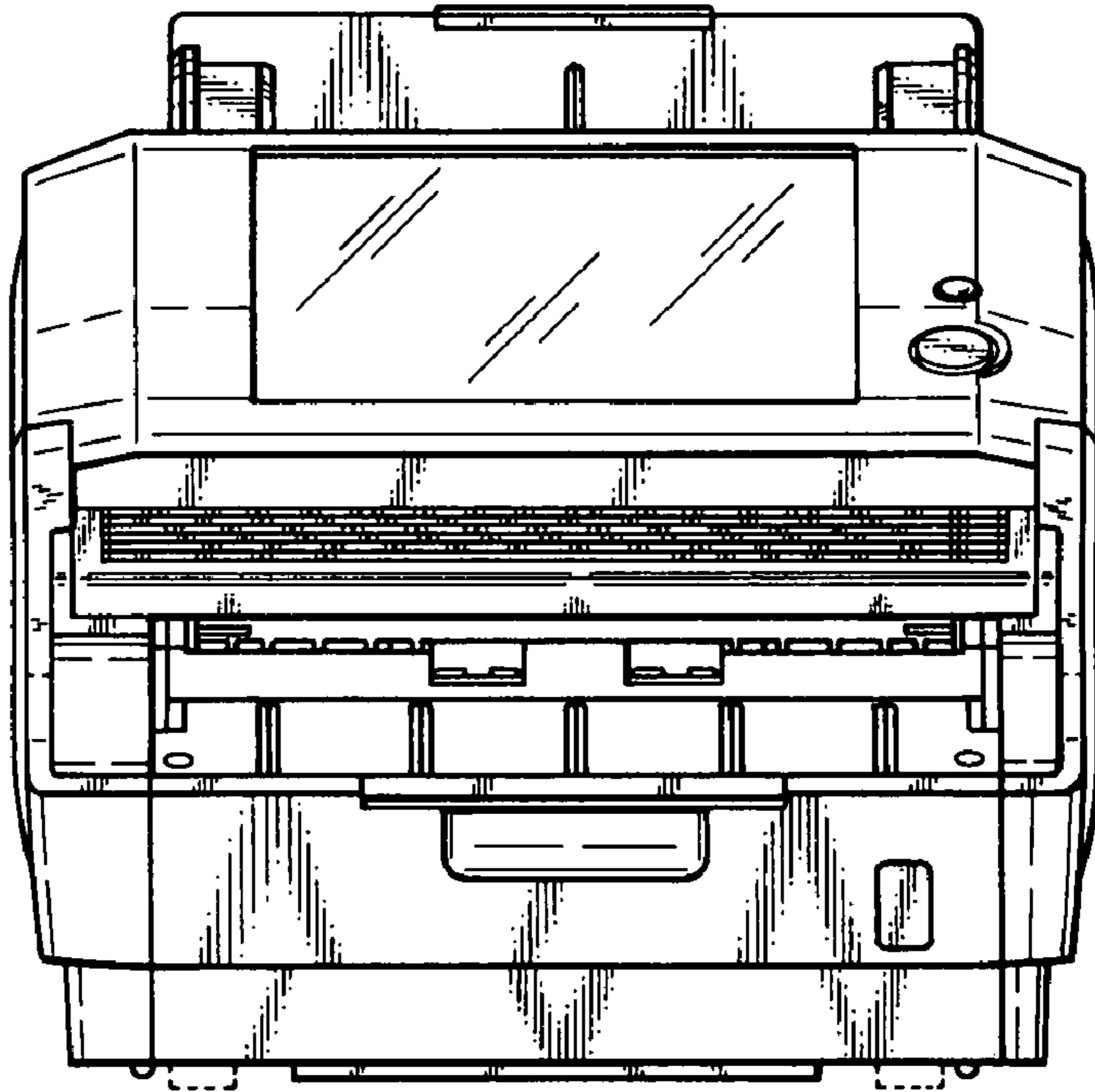


Fig.3

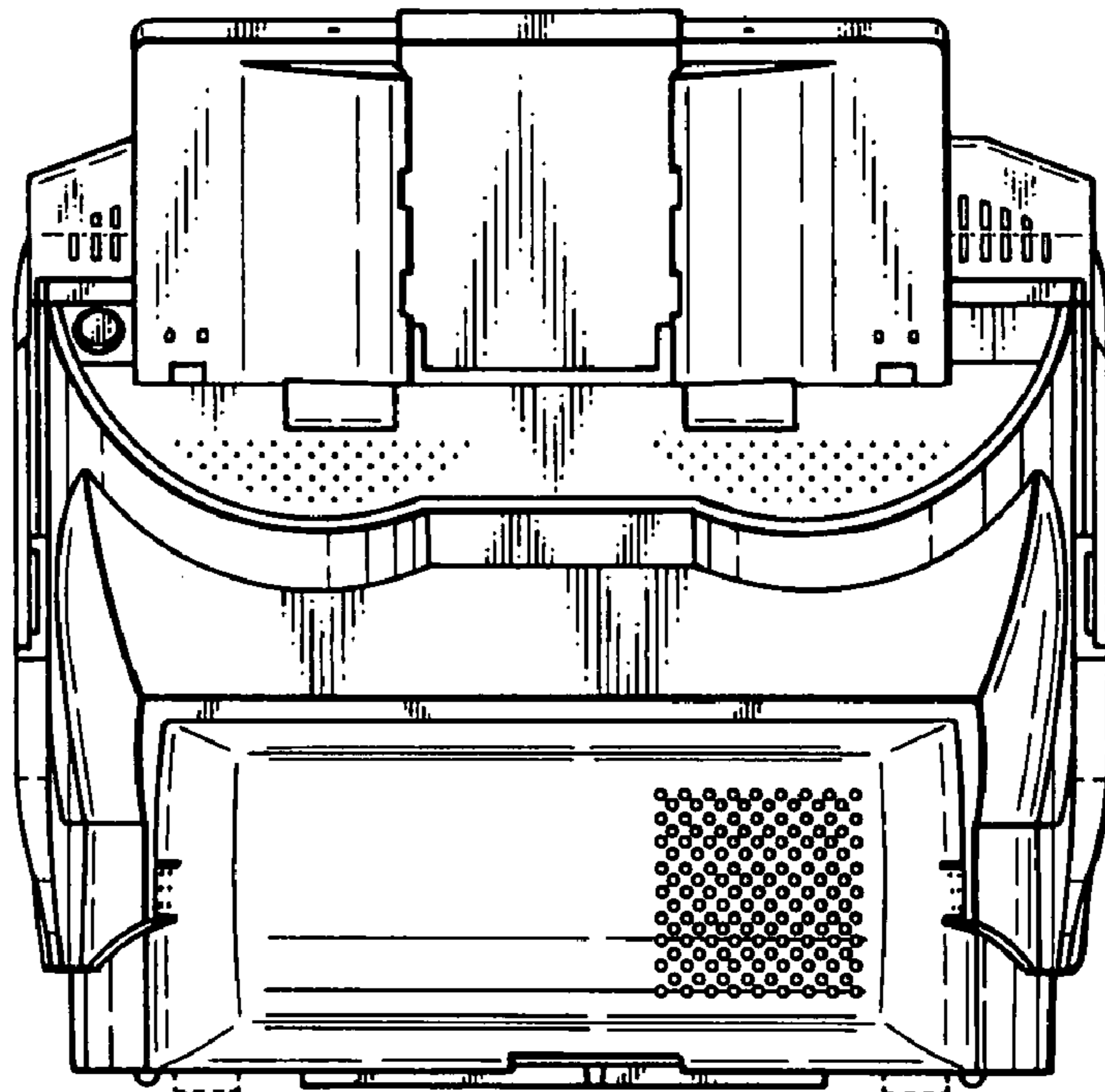


Fig.4

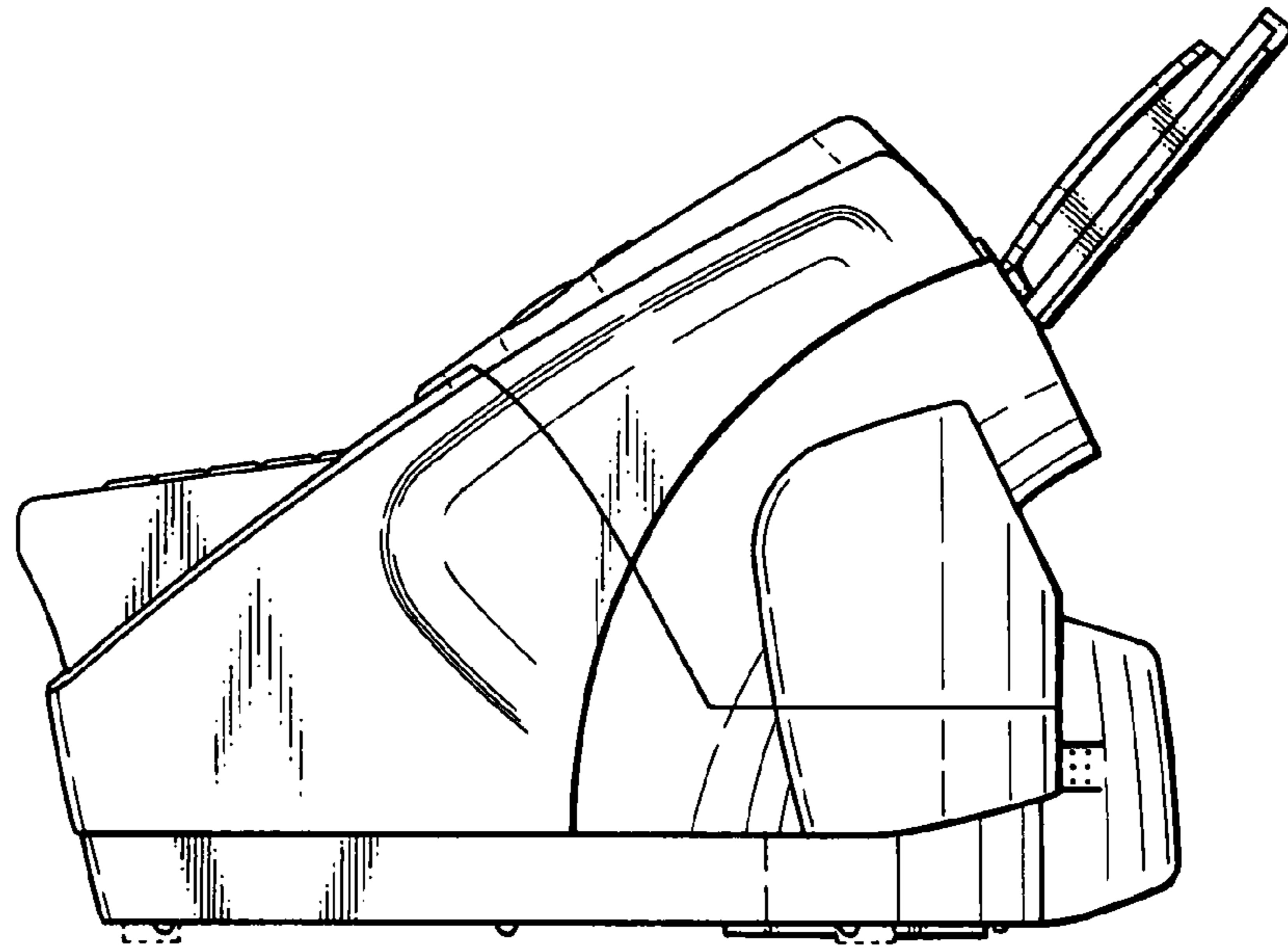


Fig.5

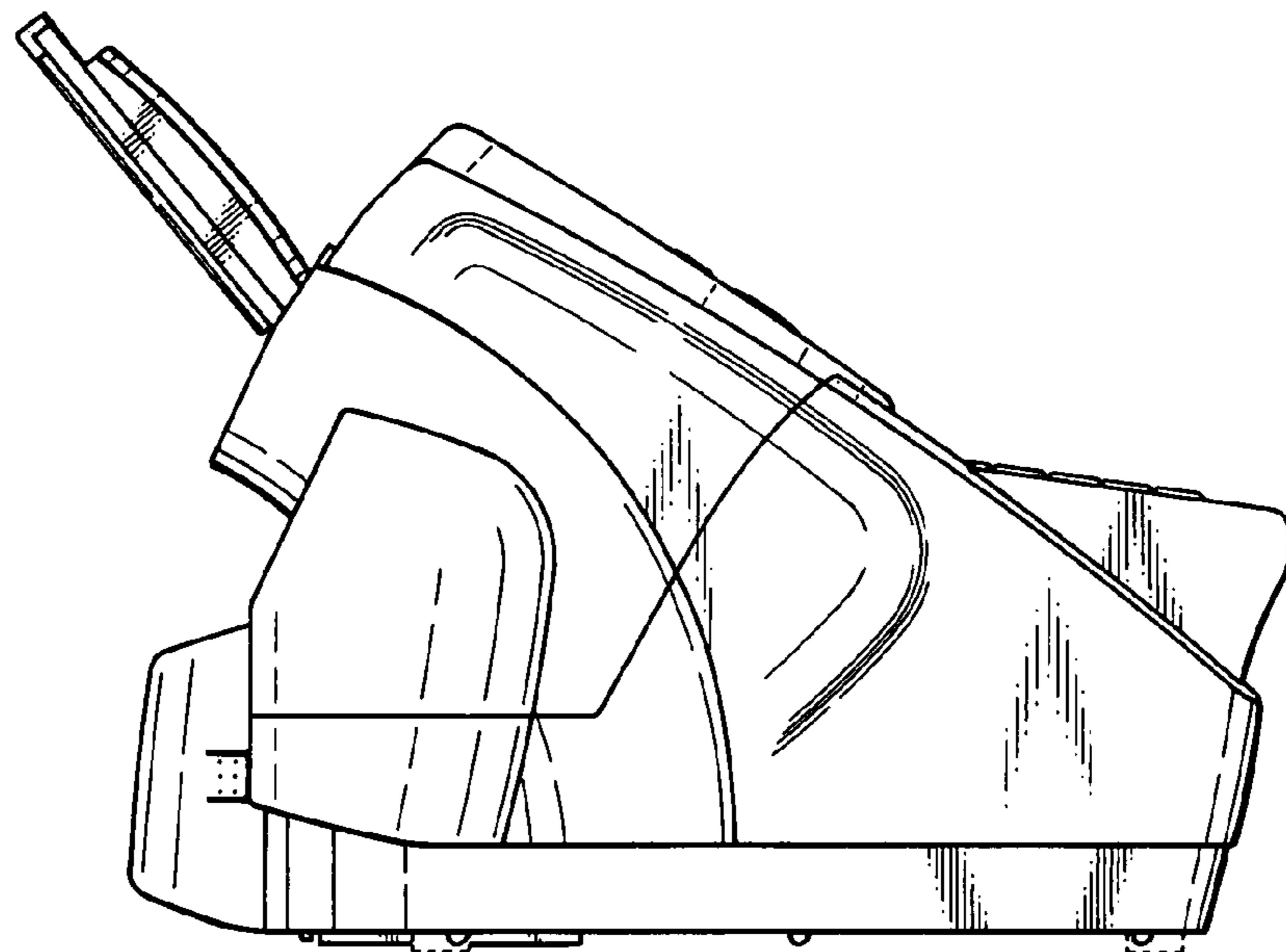


Fig.6

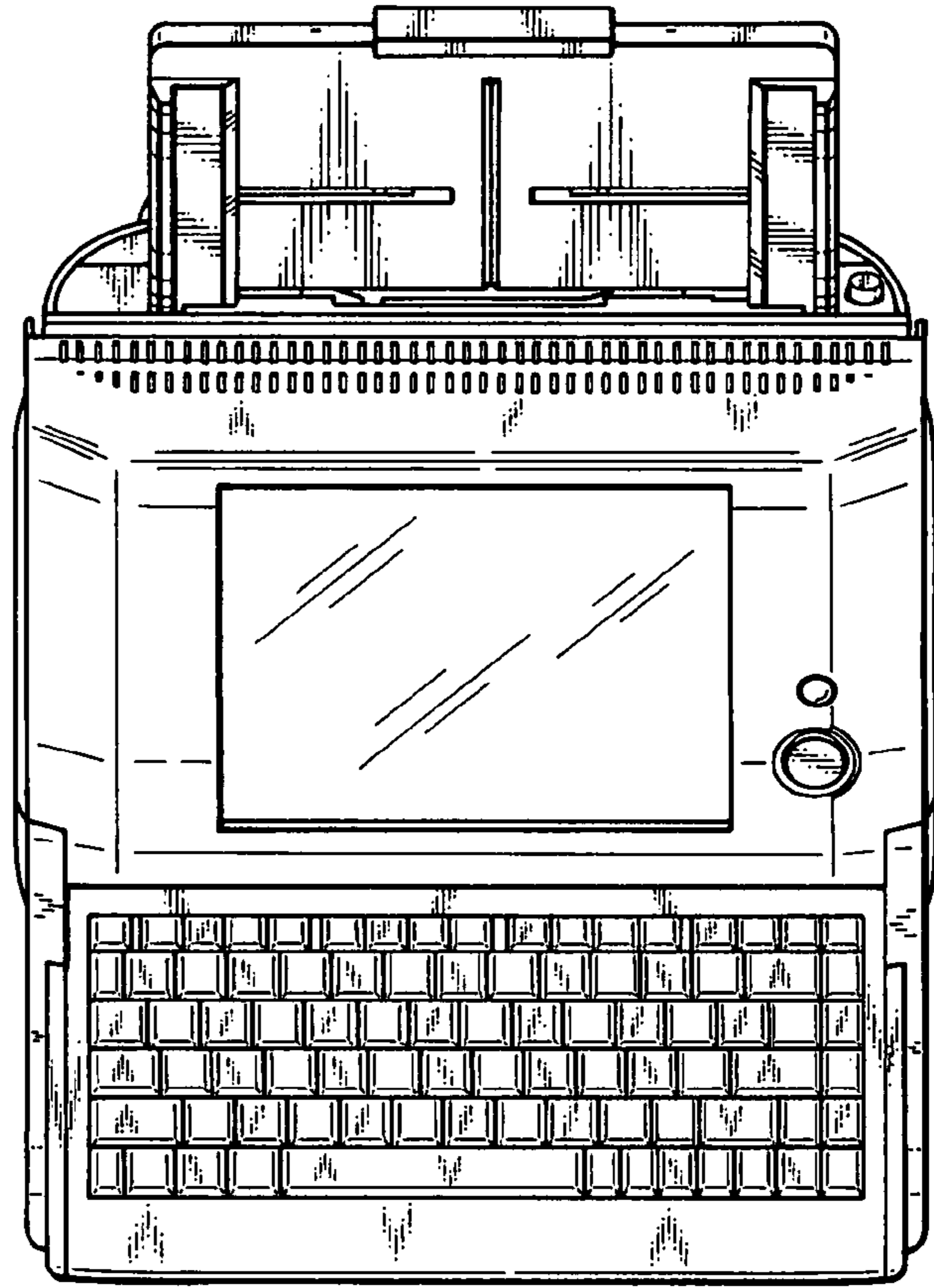


Fig.7

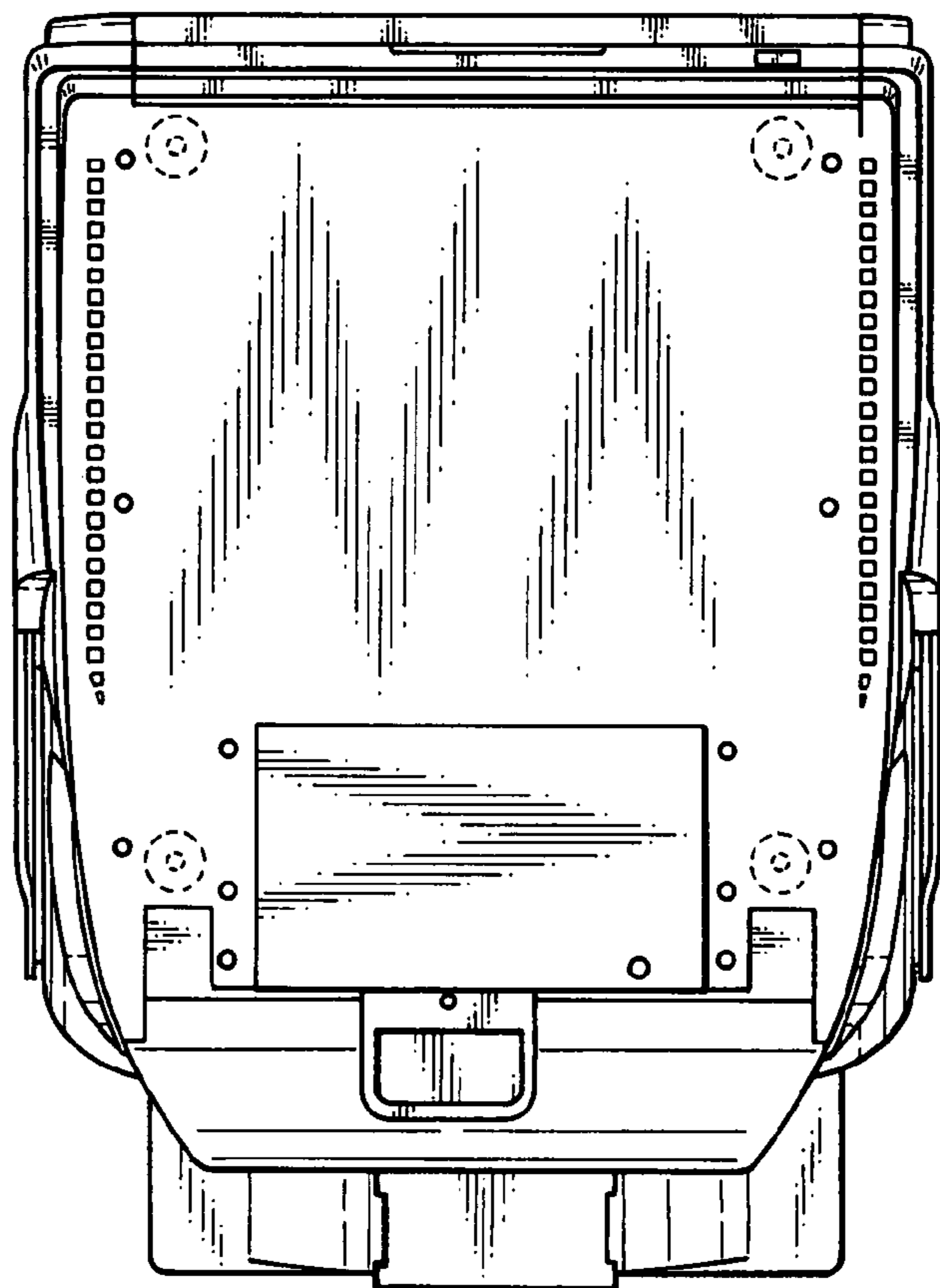


Fig.8

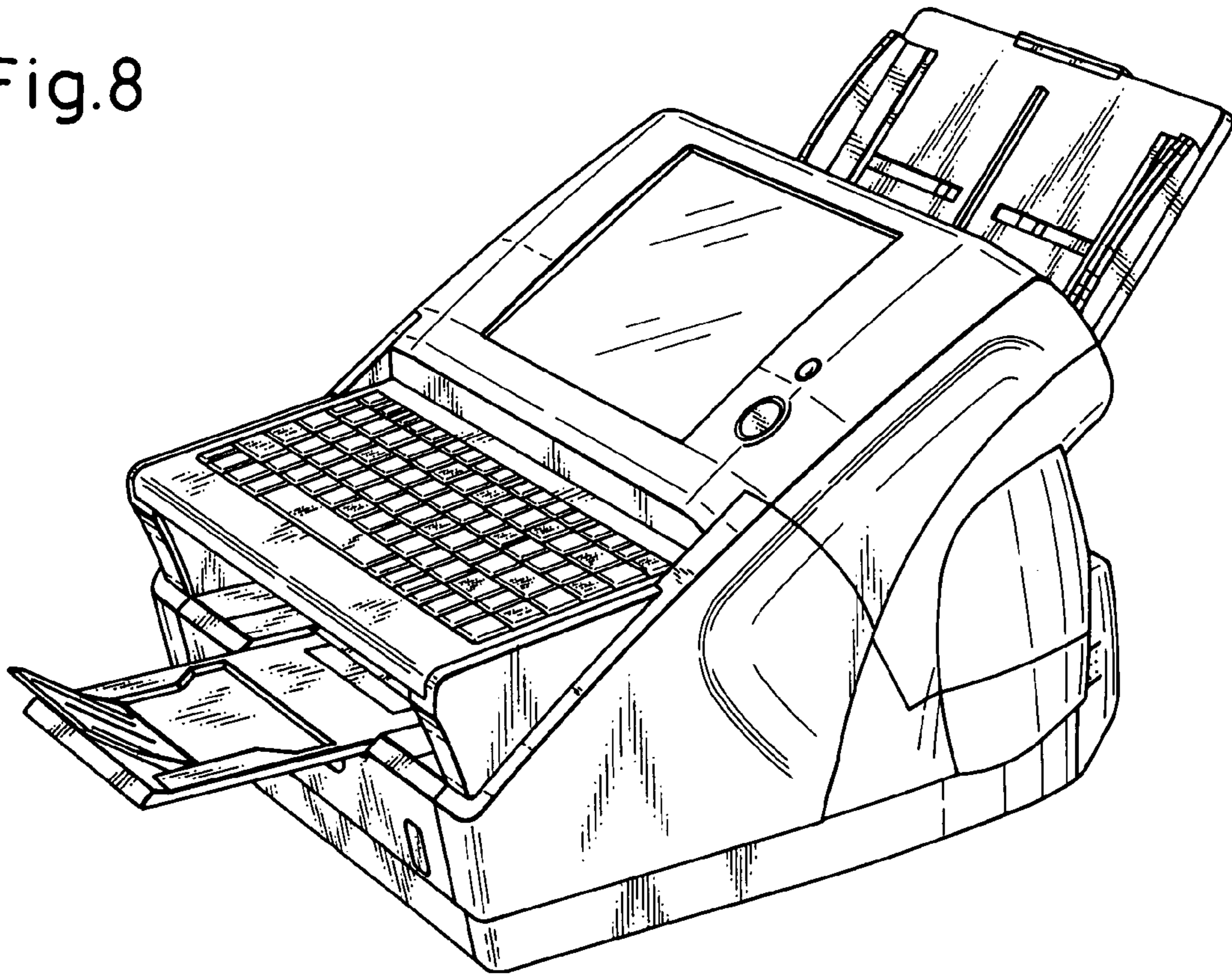


Fig.9

