



US00D571370S

(12) **United States Design Patent**
Sugitani et al.

(10) **Patent No.:** **US D571,370 S**
(45) **Date of Patent:** **** Jun. 17, 2008**

(54) **SCANNER**

(75) Inventors: **Minoru Sugitani**, Kahoku (JP); **Satoshi Kuroda**, Kahoku (JP); **Takashi Kondo**, Musashino (JP); **Shuji Hashimoto**, Komatsu (JP)

(73) Assignee: **PFU Limited**, Ishikawa (JP)

(**) Term: **14 Years**

(21) Appl. No.: **29/271,349**

(22) Filed: **Jan. 17, 2007**

(30) **Foreign Application Priority Data**

Oct. 6, 2006 (JP) 2006-27182

(51) **LOC (8) Cl.** **14-02**

(52) **U.S. Cl.** **D14/422**

(58) **Field of Classification Search** D14/420-425, D14/462-470, 389, 125, 399; D18/50, 54, D18/55, 53, 36-39, 14, 18-21, 49, 52, 51, D18/54.4; 358/400, 401, 448, 474, 486-488, 358/496; 382/312, 317, 321, 315; 400/613, 400/613.1-613.4, 690.1-690.4, 691-694, 400/88, 175; 399/107, 379, 380, 211, 212; 235/462.11, 462.41, 472.01, 470, 462.43; 361/680, 681

See application file for complete search history.

(56) **References Cited**

U.S. PATENT DOCUMENTS

D422,570 S * 4/2000 Kobayashi D14/422
D433,443 S * 11/2000 Ito et al. D18/55
D439,607 S * 3/2001 Inoue et al. D18/54
D443,878 S * 6/2001 Sakata et al. D14/422

D444,813 S * 7/2001 Quijano D18/55
D452,706 S * 1/2002 Senshiki D18/55
D463,485 S * 9/2002 Yoshida et al. D18/50
6,540,219 B1 * 4/2003 Naruse et al. 271/37
D474,770 S * 5/2003 Chujou et al. D14/425
D475,052 S * 5/2003 Chujou et al. D14/422
6,568,674 B2 * 5/2003 Matsuda 271/274
6,707,584 B1 * 3/2004 Morita 358/498
D499,759 S * 12/2004 Kobayashi et al. D18/55
2003/0063337 A1 * 4/2003 Shirai et al. 358/498

* cited by examiner

Primary Examiner—Melanie Tung

Assistant Examiner—Susan Moon Lee

(74) *Attorney, Agent, or Firm*—Staas & Halsey LLP

(57) **CLAIM**

The ornamental design for a scanner, as shown and described.

DESCRIPTION

FIG. 1 is a front perspective view of a scanner showing our new design;

FIG. 2 is a front view thereof;

FIG. 3 is a rear view thereof;

FIG. 4 is a right side elevational view thereof;

FIG. 5 is a left side elevational view thereof;

FIG. 6 is a top plan view thereof;

FIG. 7 is a bottom plan view thereof; and,

FIG. 8 is a front perspective view similar to FIG. 1 in the open position with a guide extended from the chute and the stacker respectively.

The portions shown in broken line are for illustrative purposes only and form no part of the claimed design.

1 Claim, 5 Drawing Sheets

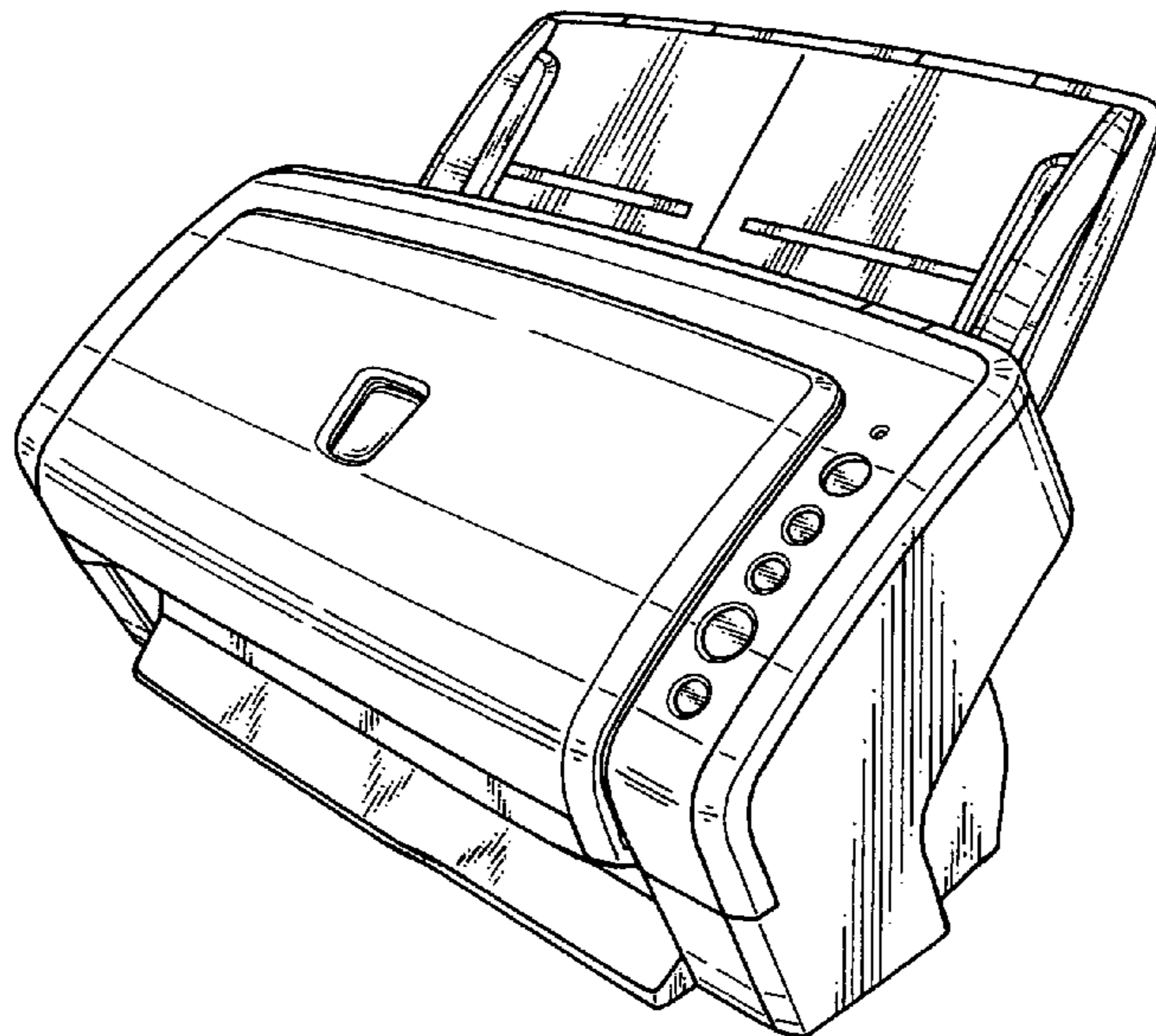


Fig.1

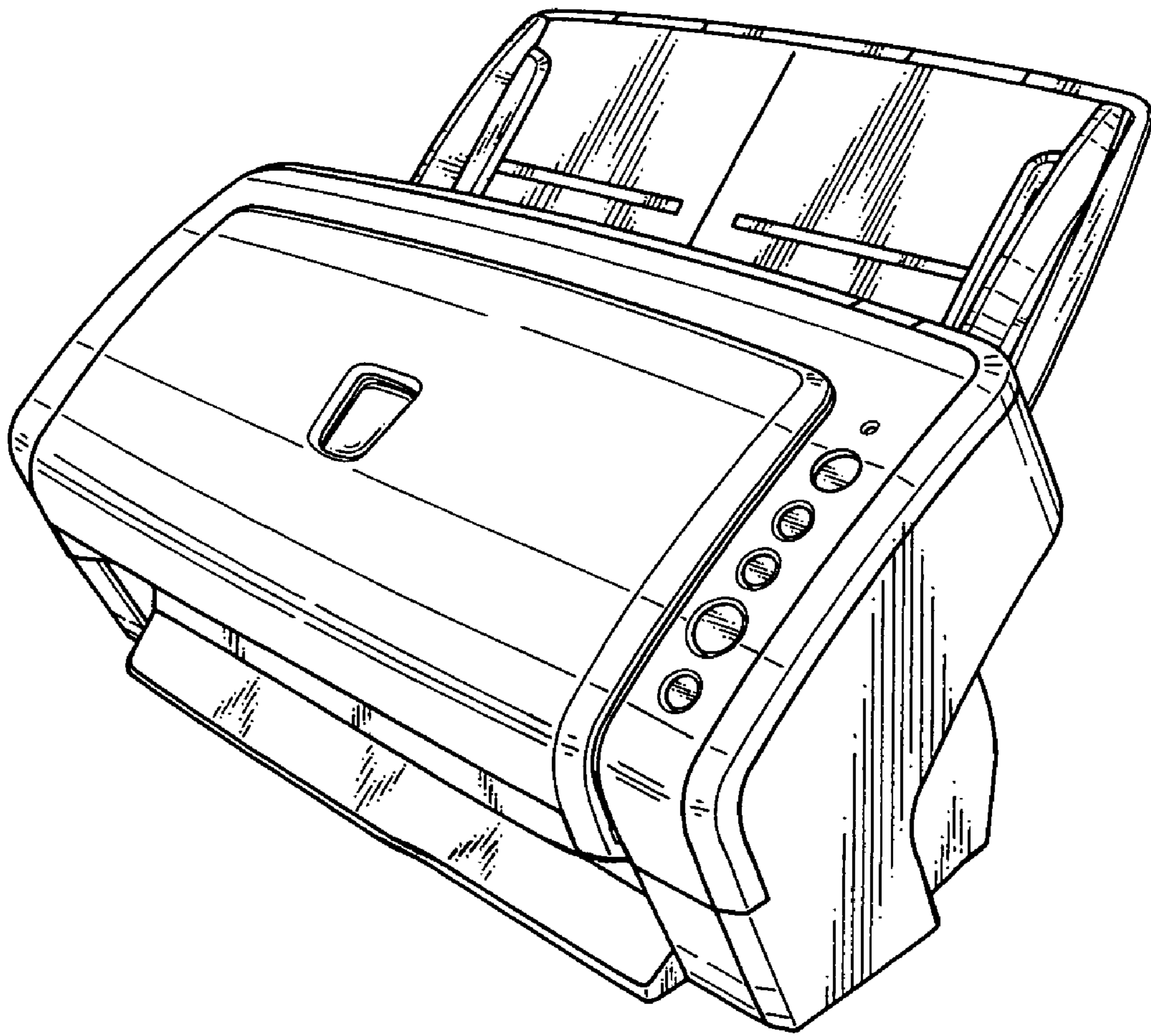


Fig.2

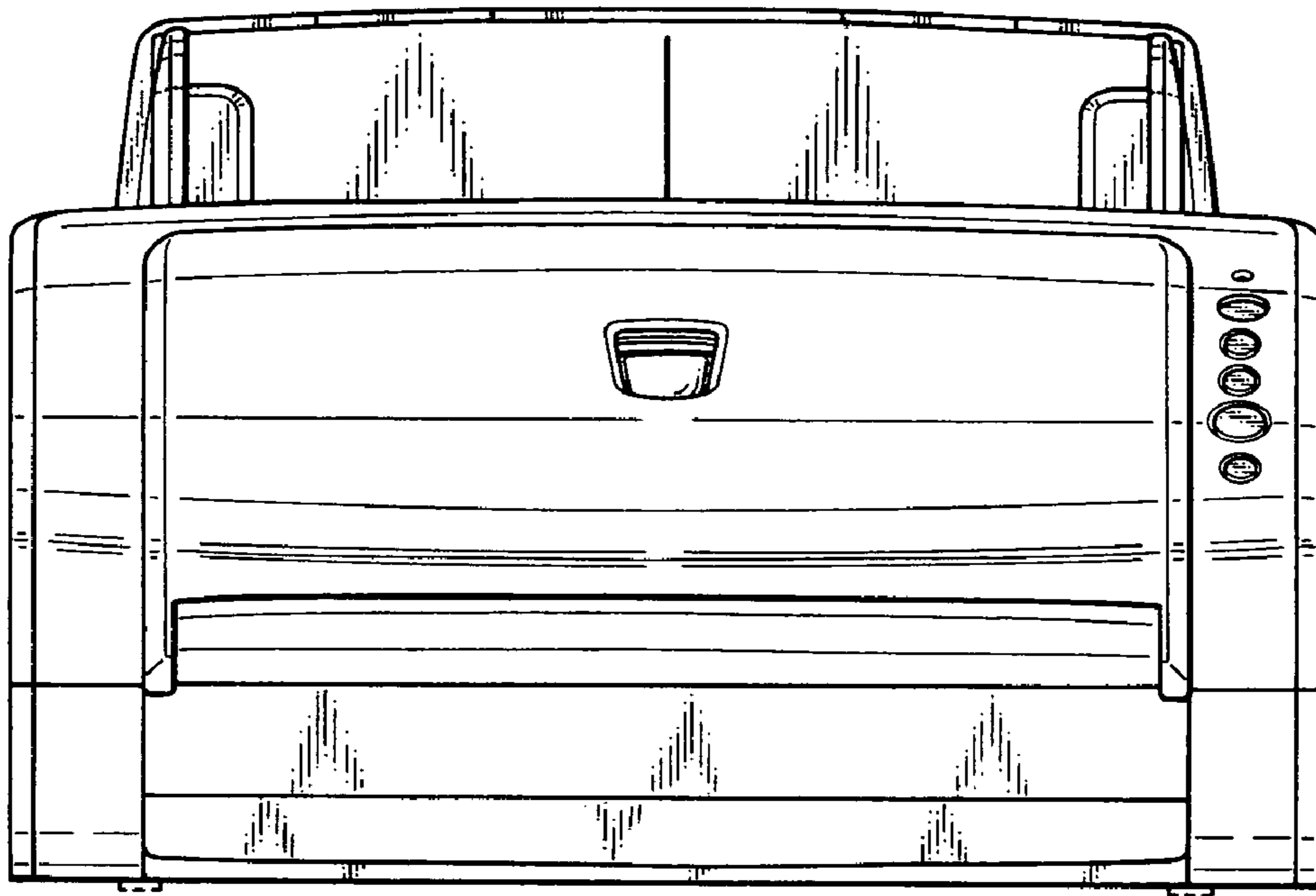


Fig.3

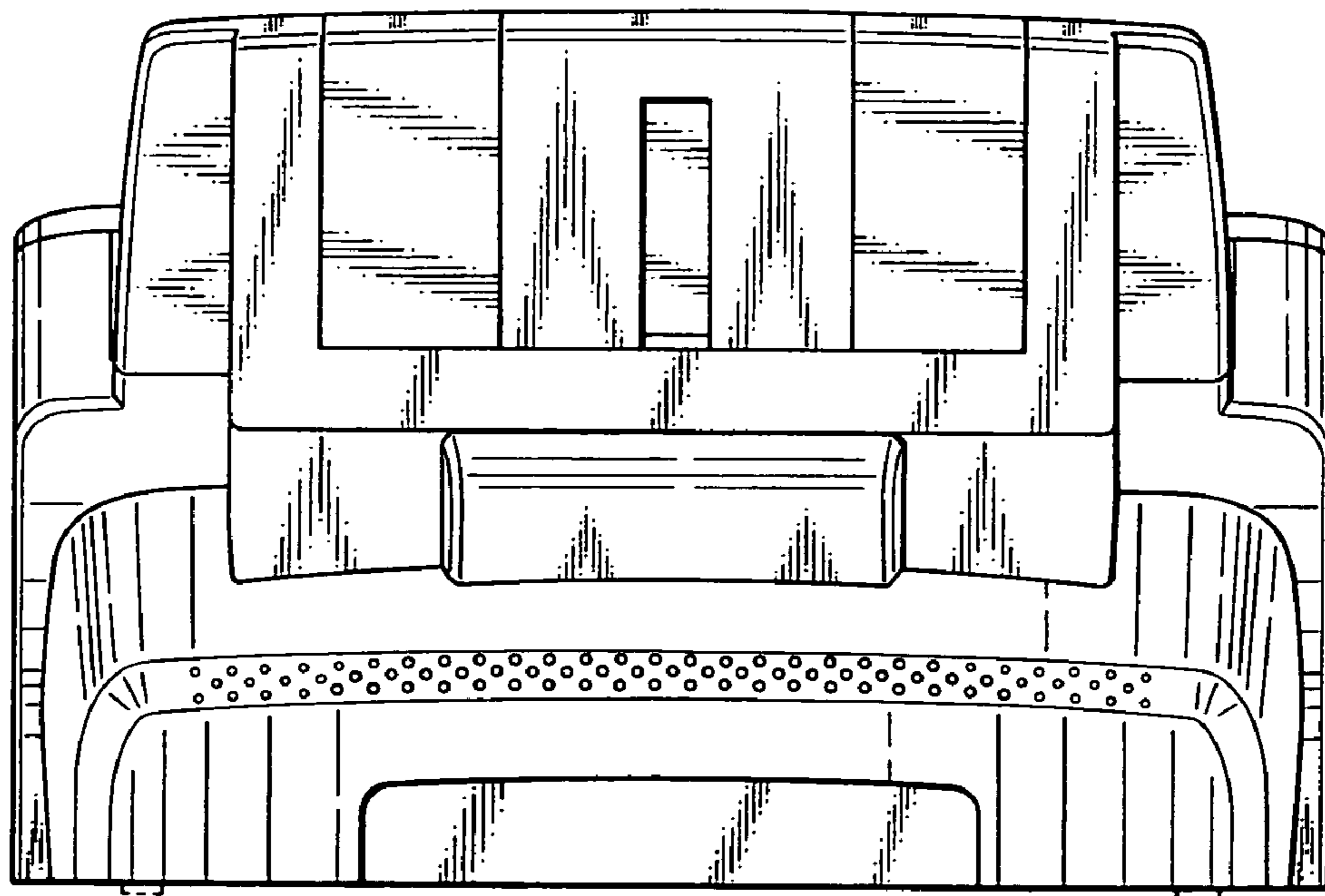


Fig. 4

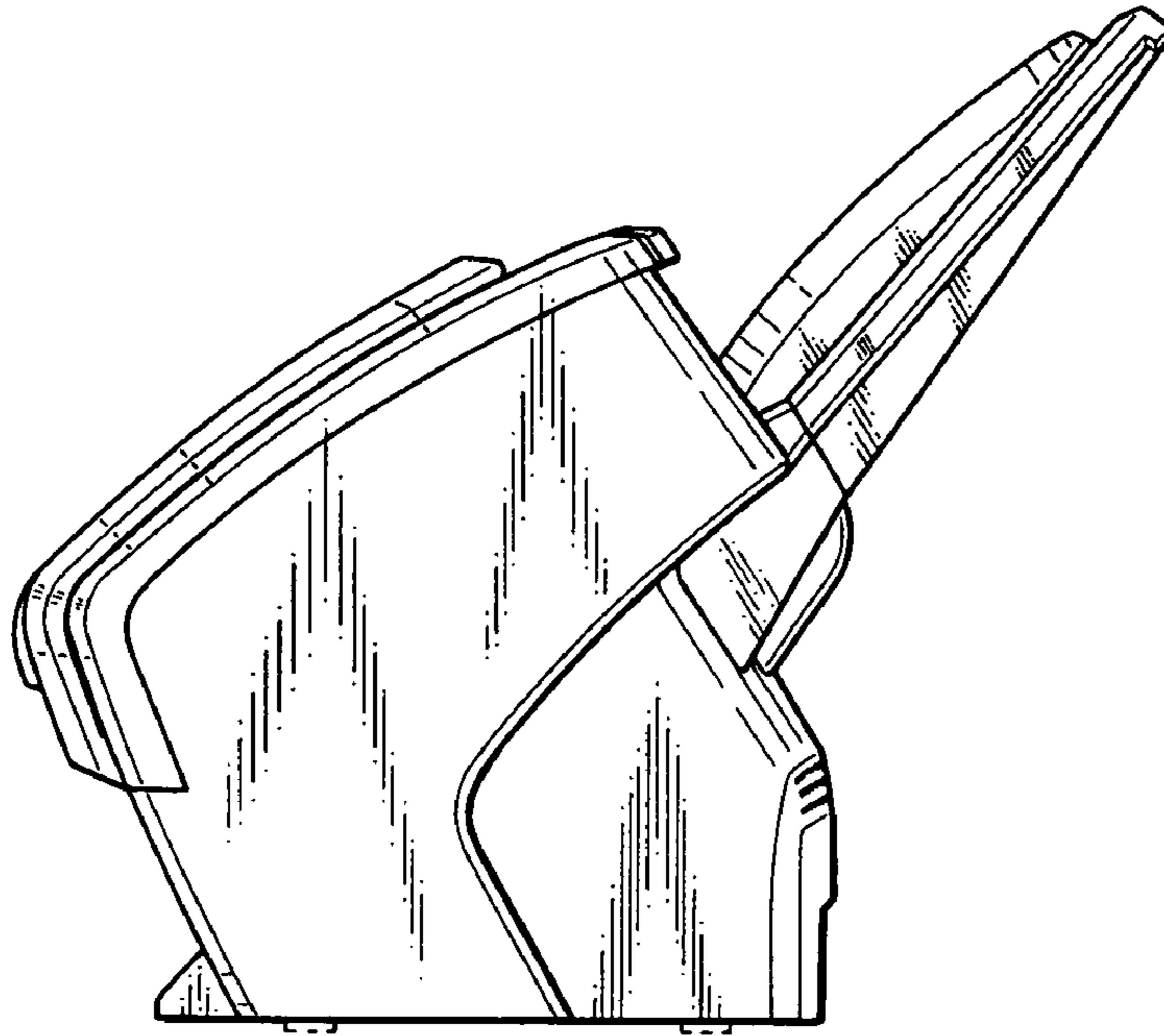


Fig. 5

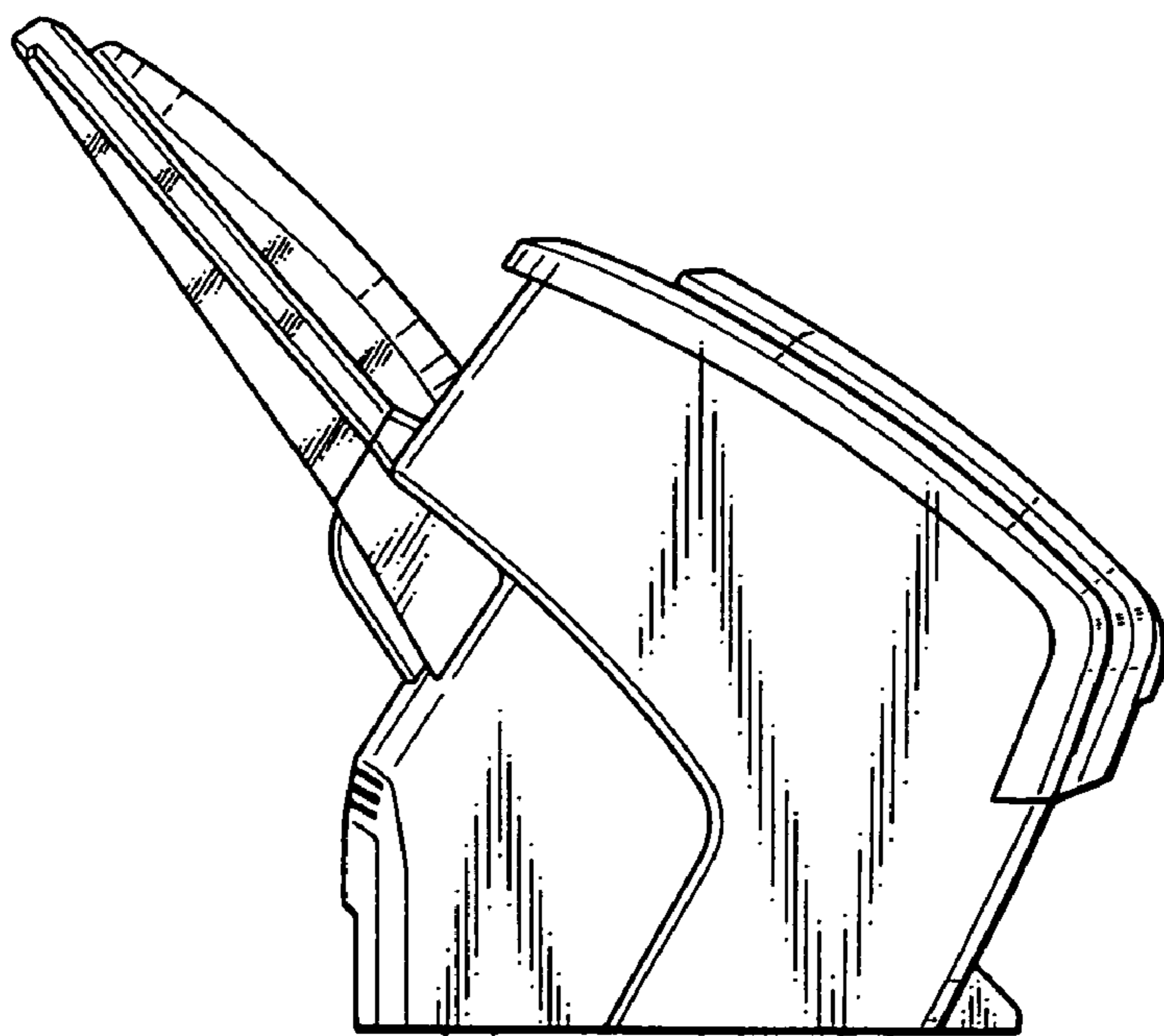


Fig.6

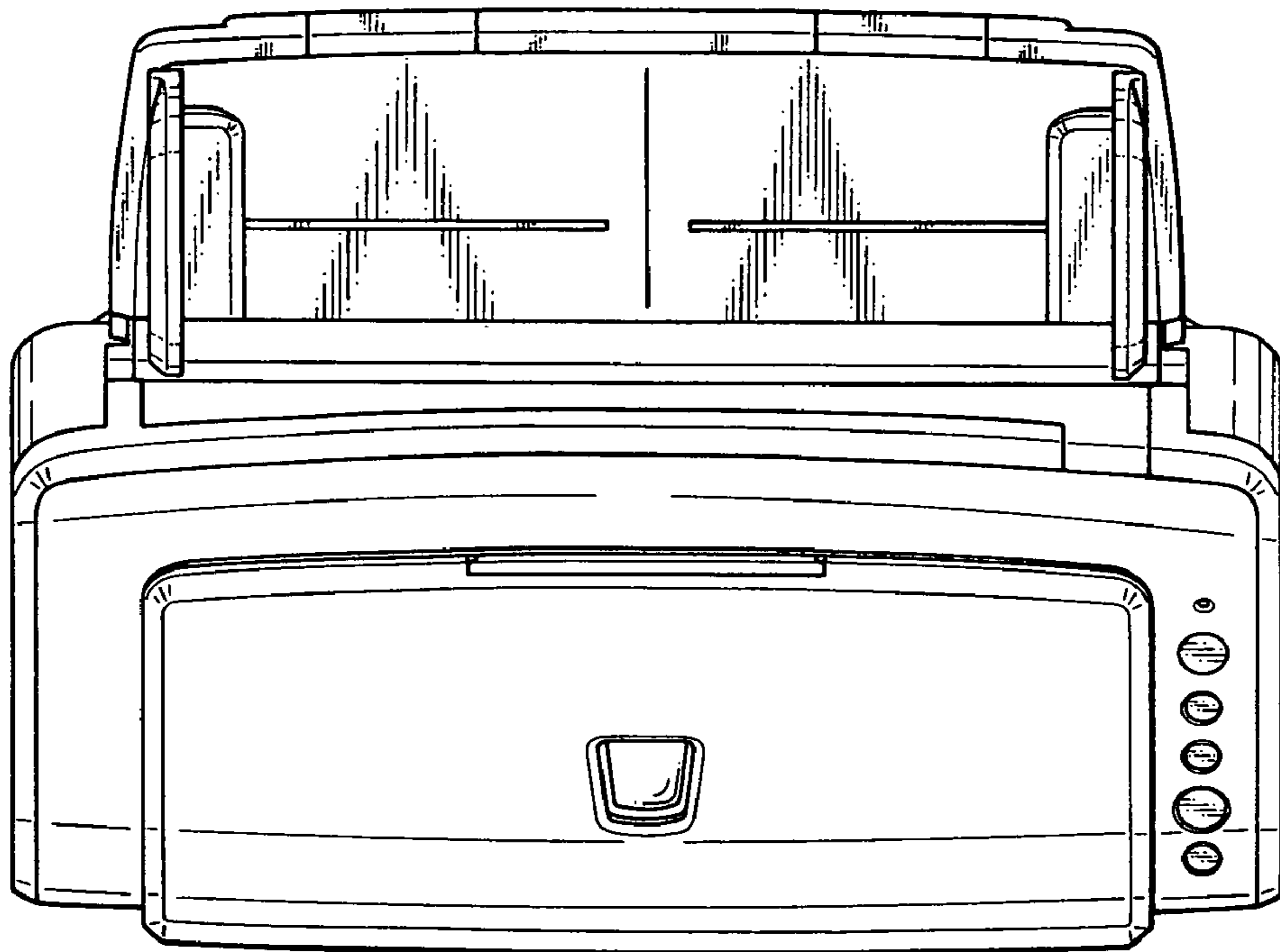


Fig.7

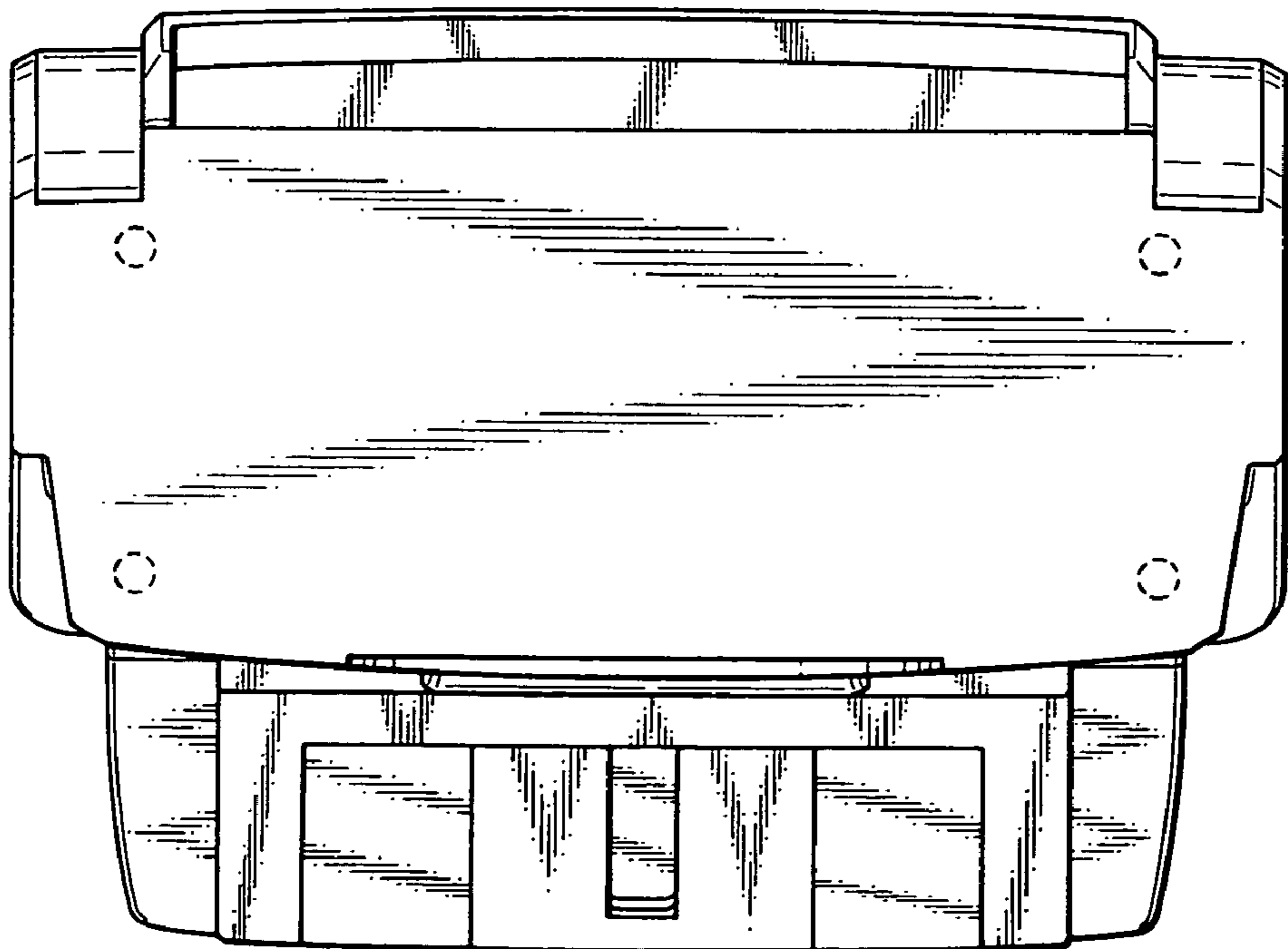


Fig. 8

