

US00D571369S

(12) **United States Design Patent**
Sugitani et al.

(10) **Patent No.:** **US D571,369 S**
(45) **Date of Patent:** **** Jun. 17, 2008**

(54) **SCANNER**

(75) Inventors: **Minoru Sugitani**, Kahoku (JP); **Satoshi Kuroda**, Kahoku (JP); **Takashi Kondo**, Musashino (JP); **Shuji Hashimoto**, Komatsu (JP)

(73) Assignee: **PFU Limited**, Ishikawa (JP)

(**) Term: **14 Years**

(21) Appl. No.: **29/271,373**

(22) Filed: **Jan. 18, 2007**

(30) **Foreign Application Priority Data**

Oct. 6, 2006 (JP) 2006-27183

(51) **LOC (8) Cl.** **14-02**

(52) **U.S. Cl.** **D14/421**

(58) **Field of Classification Search** D14/421-425,
D14/462-464; D18/36-39, 55, 50, 54, 56,
D18/14, 18, 19; 355/81, 75, 78; 399/405,
399/367, 379, 380; 358/497; 235/470, 462.43,
235/482, 483; 400/613, 613.1-613.14, 691-694;
101/93.4, 269

See application file for complete search history.

(56) **References Cited**

U.S. PATENT DOCUMENTS

D218,991 S * 10/1970 Allport D18/14
D372,492 S * 8/1996 Stanton D18/12.1
D375,735 S * 11/1996 Tochishita D14/144
5,628,575 A * 5/1997 Morikawa et al. 400/693

5,786,905 A * 7/1998 Kaji et al. 358/498
D474,770 S * 5/2003 Chujou et al. D14/425
6,661,543 B1 * 12/2003 Morita 358/498
6,707,584 B1 * 3/2004 Morita 358/498
D491,950 S * 6/2004 Perry et al. D14/424

* cited by examiner

Primary Examiner—Melanie Tung

Assistant Examiner—Susan Moon Lee

(74) *Attorney, Agent, or Firm*—Staas & Halsey LLP

(57) **CLAIM**

The ornamental design for a scanner, as shown and described.

DESCRIPTION

FIG. 1 is a front perspective view of a scanner showing our new design;

FIG. 2 is a front view thereof;

FIG. 3 is a rear view thereof;

FIG. 4 is a right side elevational view thereof;

FIG. 5 is a left side elevational view thereof;

FIG. 6 is a top plan view thereof;

FIG. 7 is a bottom plan view thereof;

FIG. 8 is a front perspective view similar to FIG. 1 with the cover open; and,

FIG. 9 is a front perspective view similar to FIG. 1 with a guide and a stopper open respectively.

The portions shown in broken line are for illustrative purposes only and form no part of the claimed design.

1 Claim, 5 Drawing Sheets

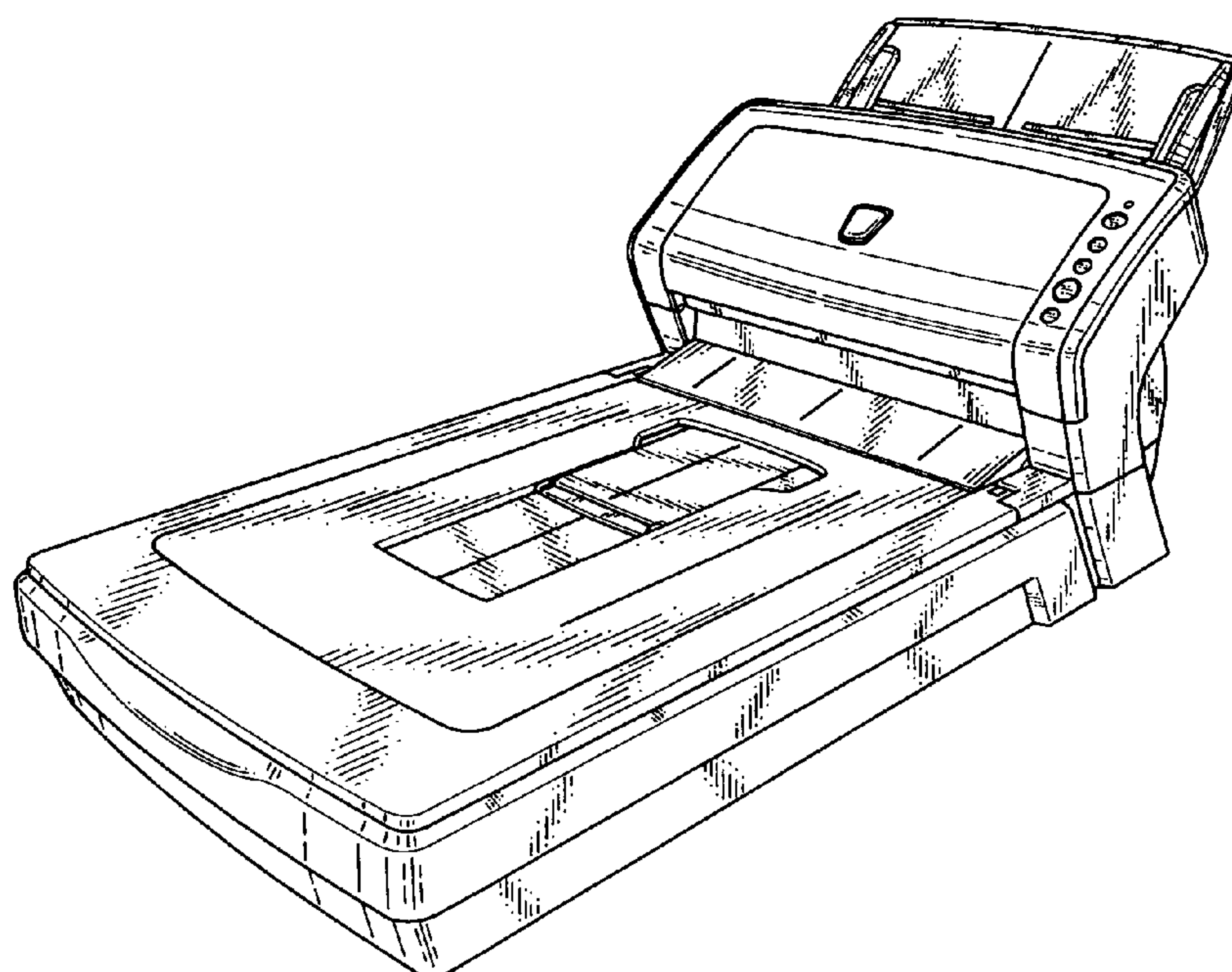


Fig.1

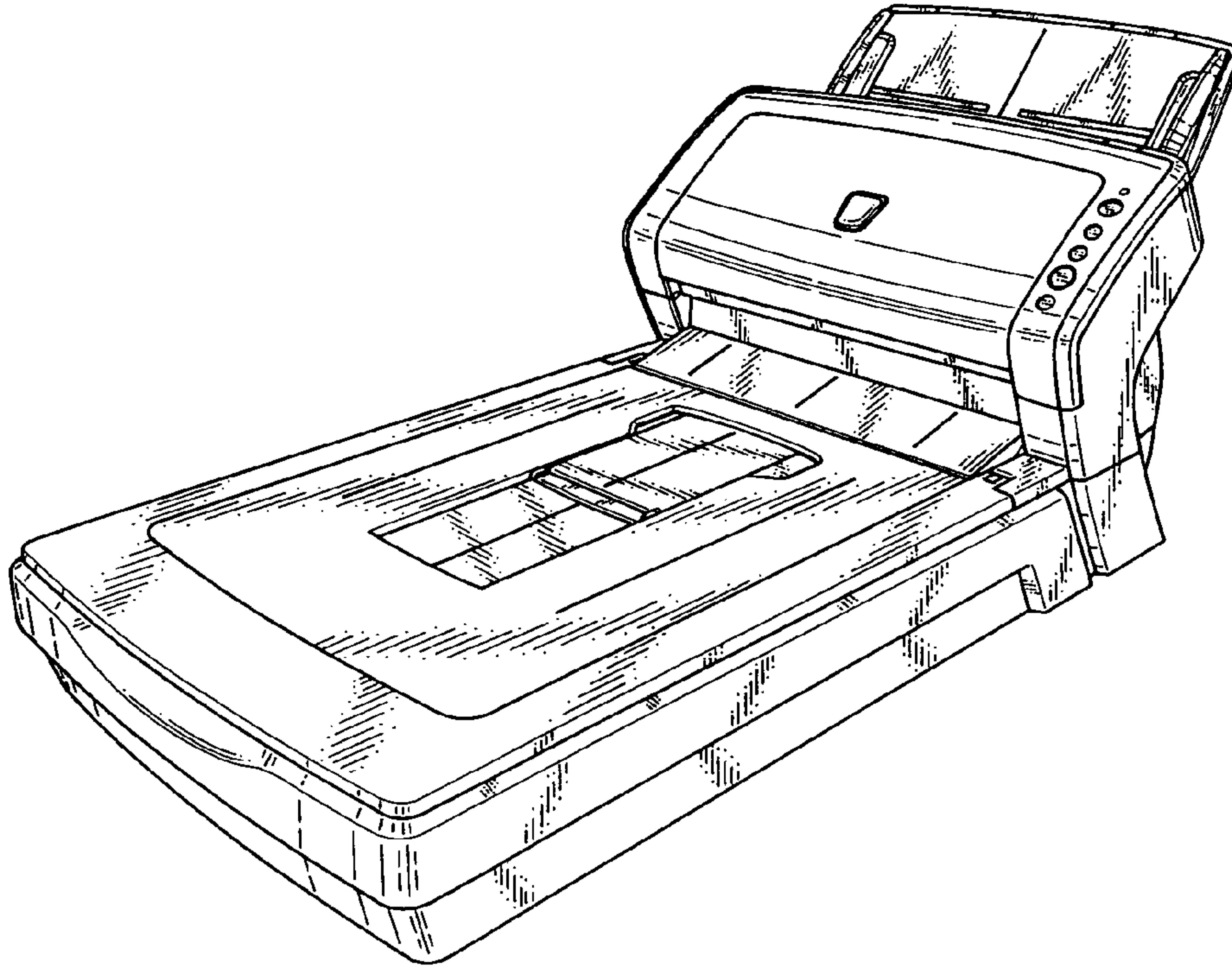


Fig.2

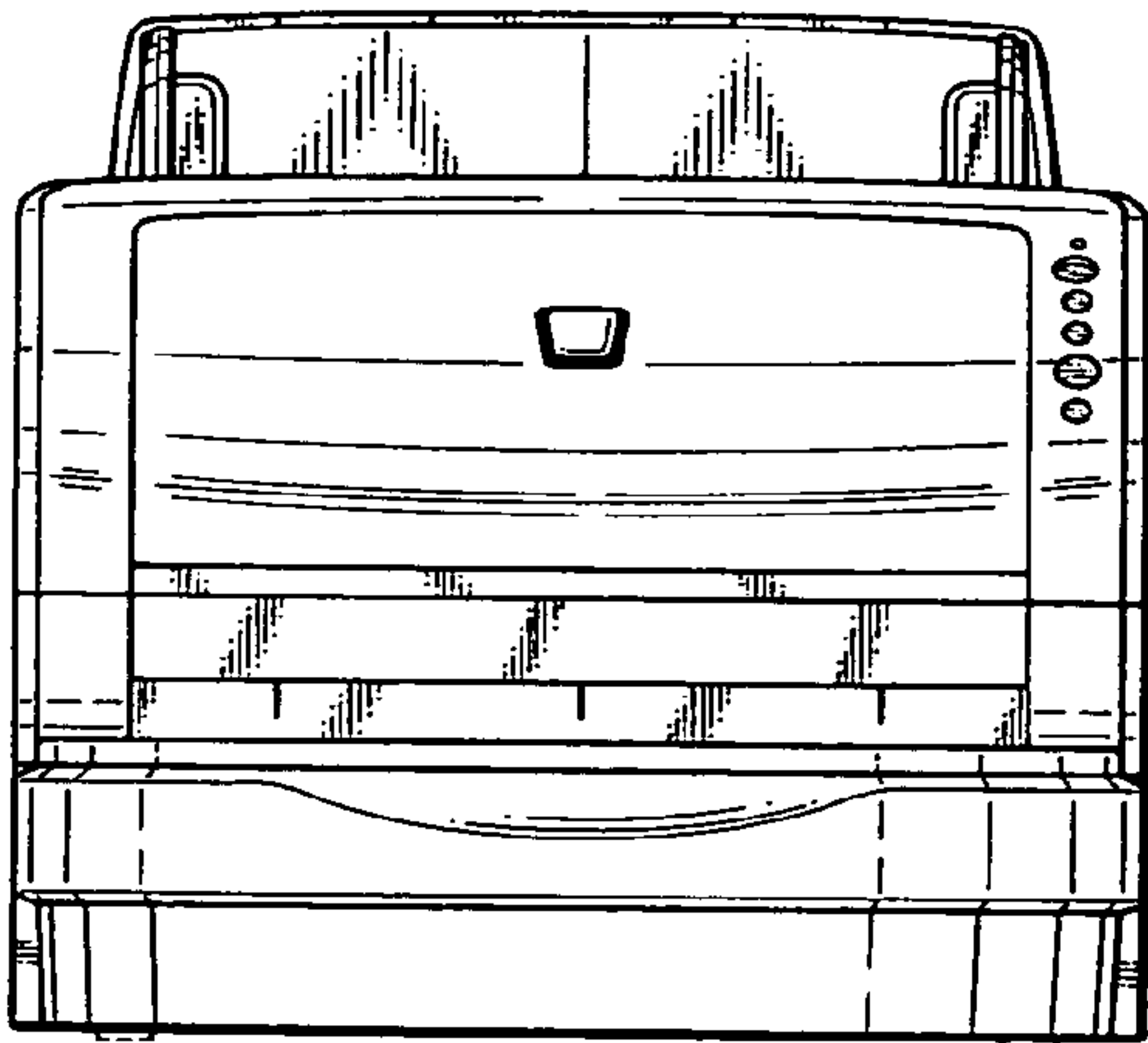


Fig.3

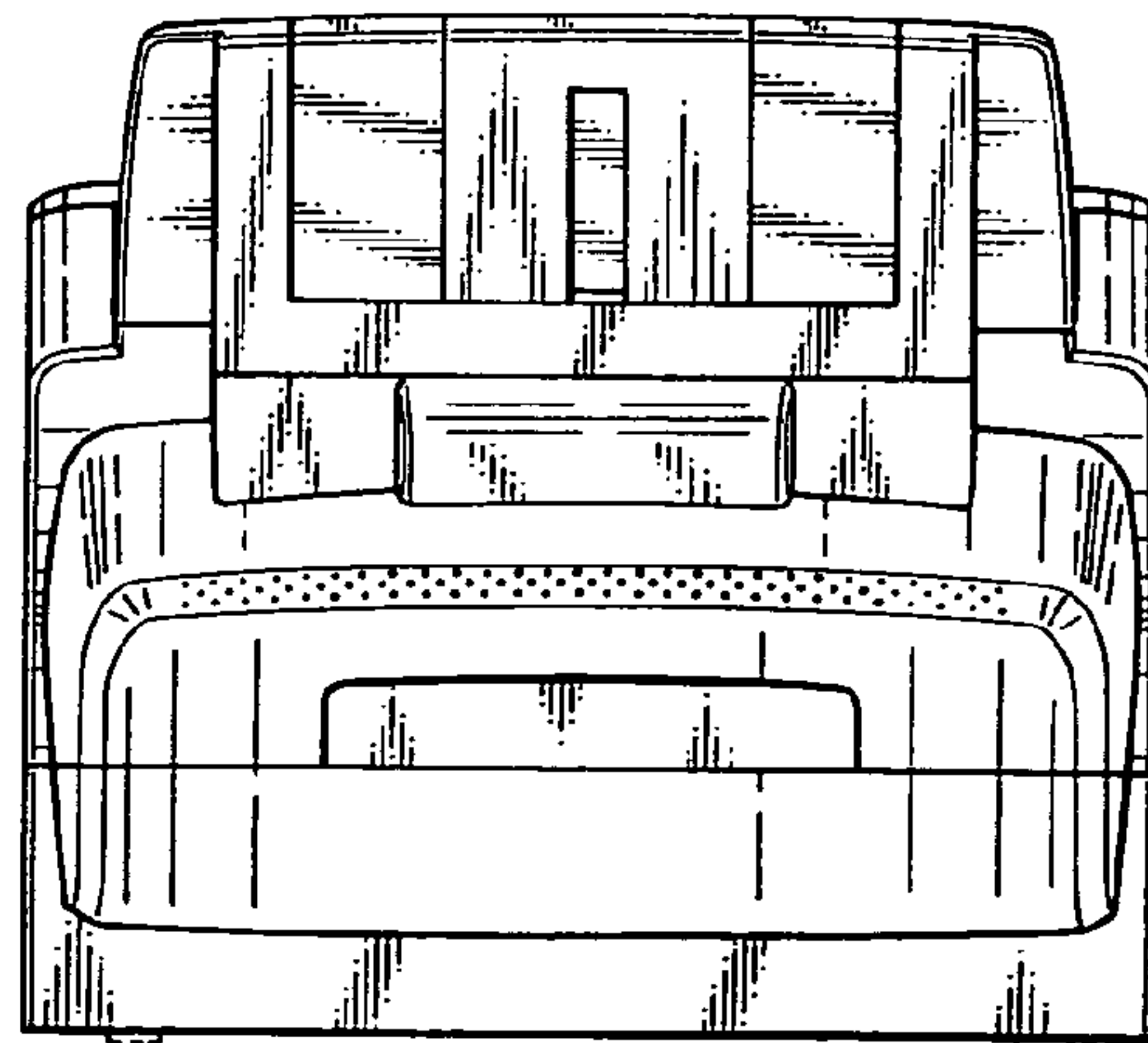


Fig. 4

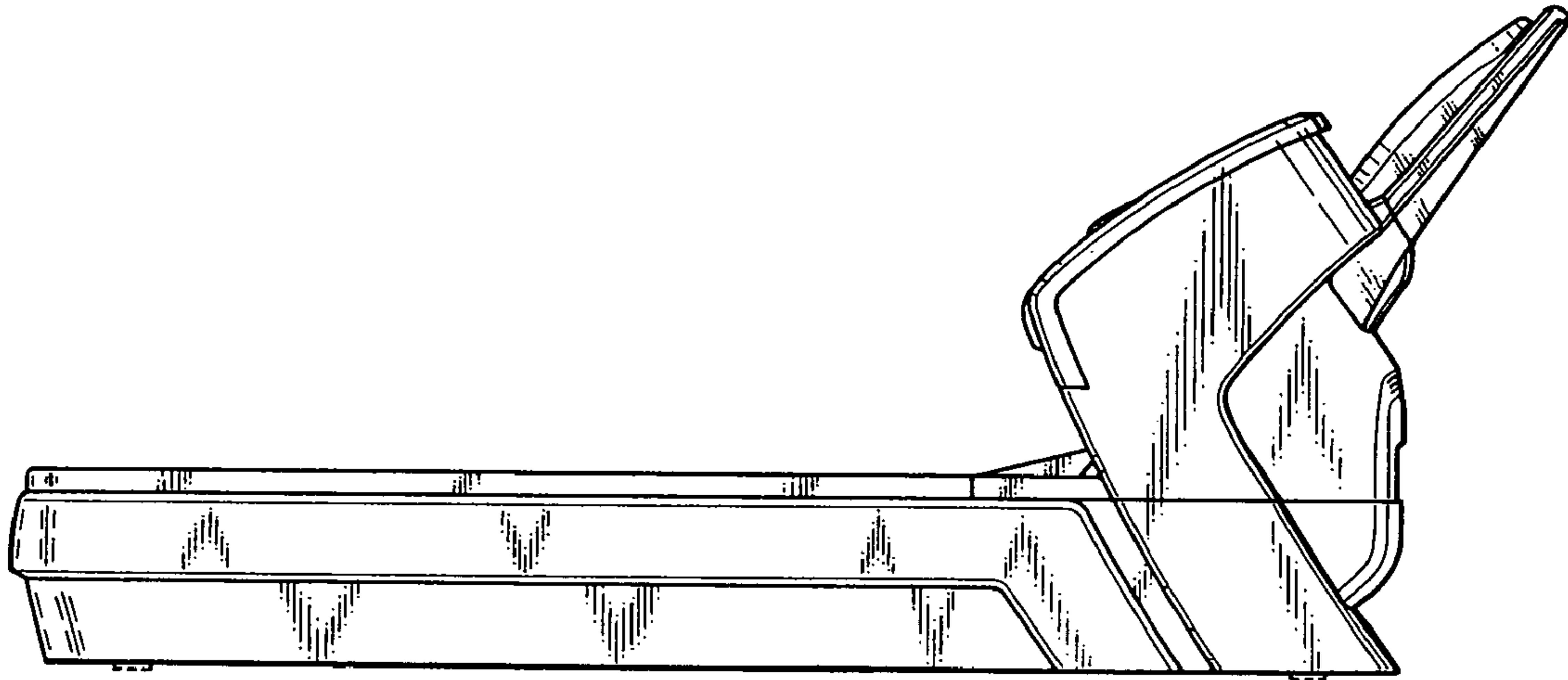


Fig. 5

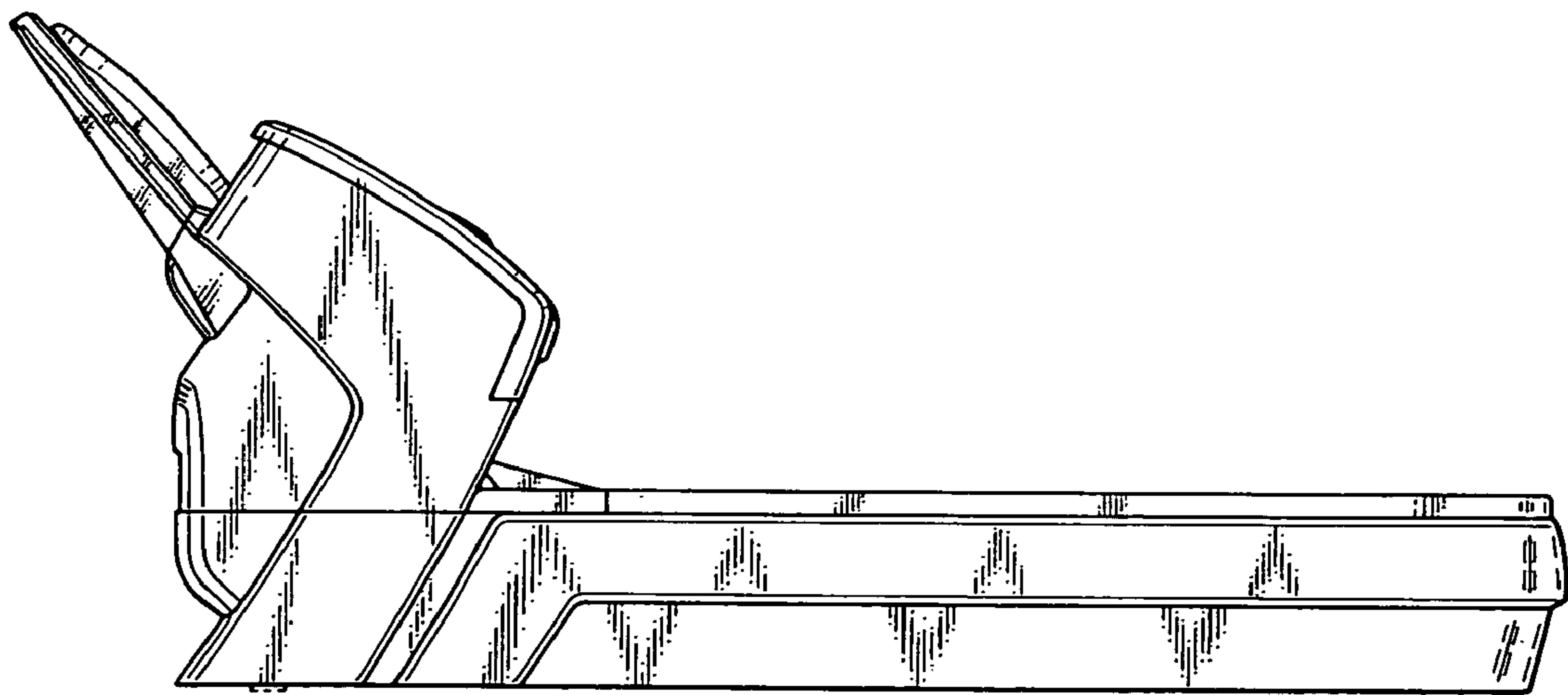


Fig.6

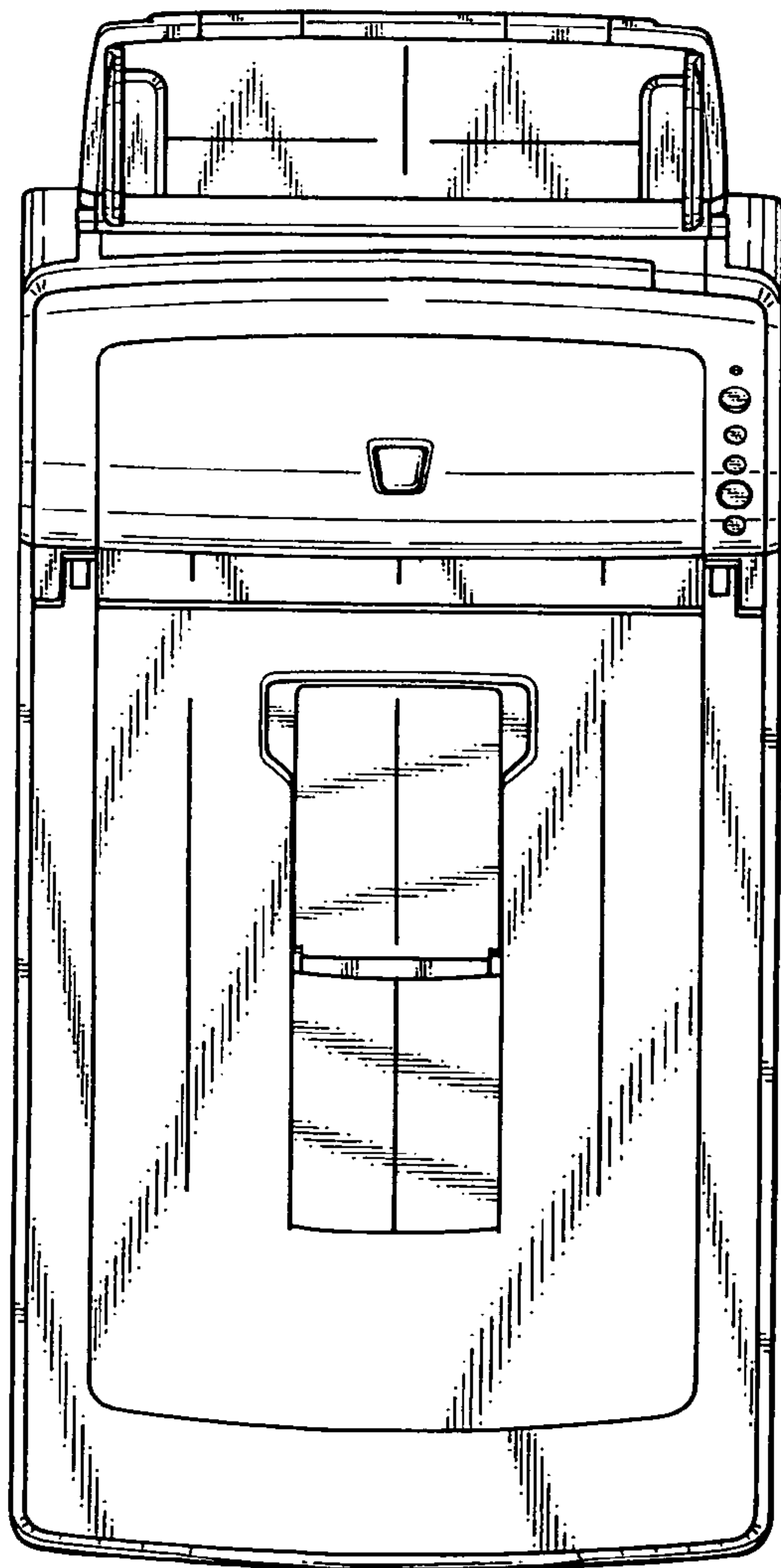


Fig.7

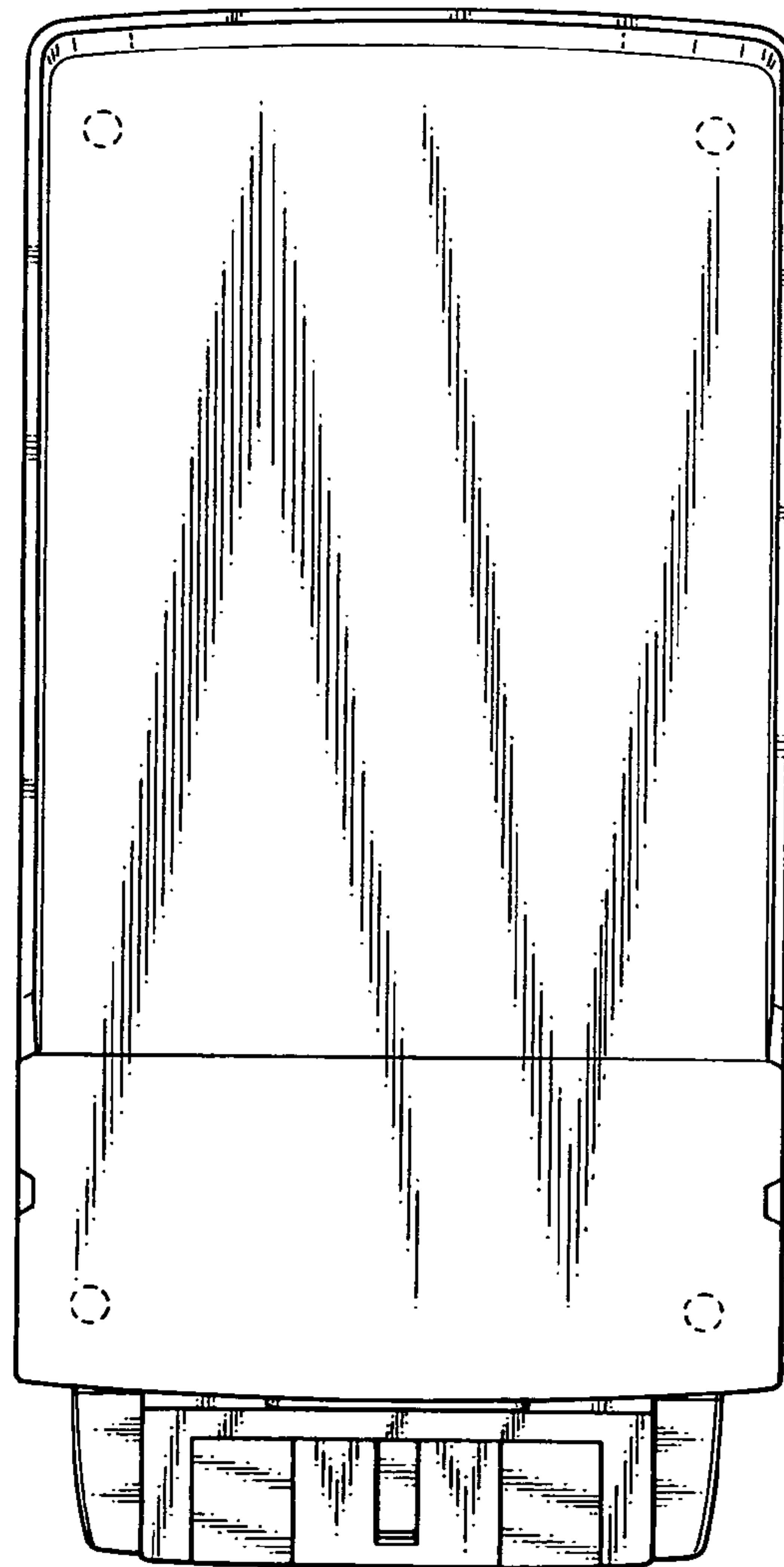


Fig. 8

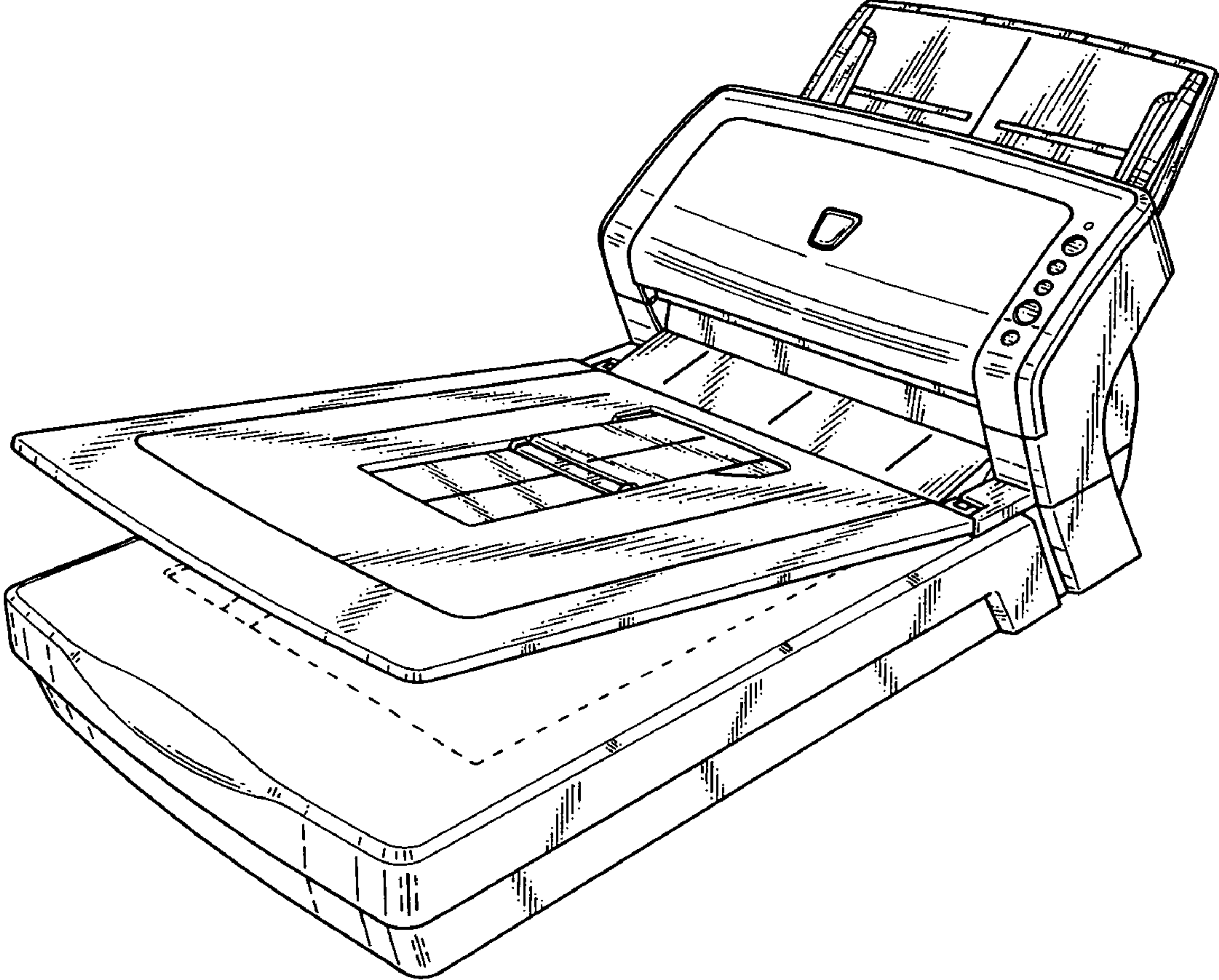


Fig.9

