



US00D571360S

(12) **United States Design Patent**  
**Andre et al.**

(10) **Patent No.:** **US D571,360 S**  
(45) **Date of Patent:** **\*\* Jun. 17, 2008**

(54) **STAND**

(75) Inventors: **Bartley K. Andre**, Menlo Park, CA (US); **Daniel J. Coster**, San Francisco, CA (US); **Daniele De Iuliis**, San Francisco, CA (US); **Richard P. Howarth**, San Francisco, CA (US); **Jonathan P. Ive**, San Francisco, CA (US); **Duncan Robert Kerr**, San Francisco, CA (US); **Shin Nishibori**, San Francisco, CA (US); **Matthew Dean Rohrbach**, San Francisco, CA (US); **Douglas B. Satzger**, Menlo Park, CA (US); **Calvin Q. Seid**, Palo Alto, CA (US); **Christopher J. Stringer**, Portola Valley, CA (US); **Eugene Antony Whang**, San Francisco, CA (US); **Rico Zorkendorfer**, San Francisco, CA (US)

(73) Assignee: **Apple Inc.**, Cupertino, CA (US)

(\*\*) Term: **14 Years**

(21) Appl. No.: **29/270,884**

(22) Filed: **Jan. 5, 2007**

(51) **LOC (8) Cl.** ..... **14-02**

(52) **U.S. Cl.** ..... **D14/217**

(58) **Field of Classification Search** ..... D14/142, D14/149, 217, 251, 432, 434, 435, 447, 496; D13/107, 108, 118; 248/221.11, 309.1; 320/107, 320/110, 113-115; 361/600, 679, 683, 686; 439/529, 534; 455/556.1, 556.2, 557  
See application file for complete search history.

(56) **References Cited**

**U.S. PATENT DOCUMENTS**

D328,277 S 7/1992 Leman et al.

(Continued)

**OTHER PUBLICATIONS**

“iPod Dock Cradle”, downloaded Apr. 11, 2003, [www.bookendzdocks.com/bookendz/dock\\_cradel.htm](http://www.bookendzdocks.com/bookendz/dock_cradel.htm).

(Continued)

*Primary Examiner*—Prabhakar Deshmukh

*Assistant Examiner*—Keli' L. Acker

(74) *Attorney, Agent, or Firm*—Sterne, Kessler, Goldstein & Fox P.L.L.C.

(57) **CLAIM**

We claim the ornamental design for a stand, substantially as shown and described.

**DESCRIPTION**

The stand, which can be utilized as a dock, is used to support an electronic device, such as a media player, media storage device, cellular phone, PDA, and/or the like. By way of example, the electronic device may correspond to the electronic device shown and described in U.S. Design patent application No. 29/270,887, titled “Electronic Device,” filed concurrently herewith, which is herein incorporated by reference.

FIG. 1 is a front perspective view of a stand in accordance with the present design;

FIG. 2 is a top view of the stand.

FIG. 3 is a bottom view of the stand.

FIG. 4 is a front view of the stand.

FIG. 5 is a rear view of the stand.

FIG. 6 is a right view of the of the stand.

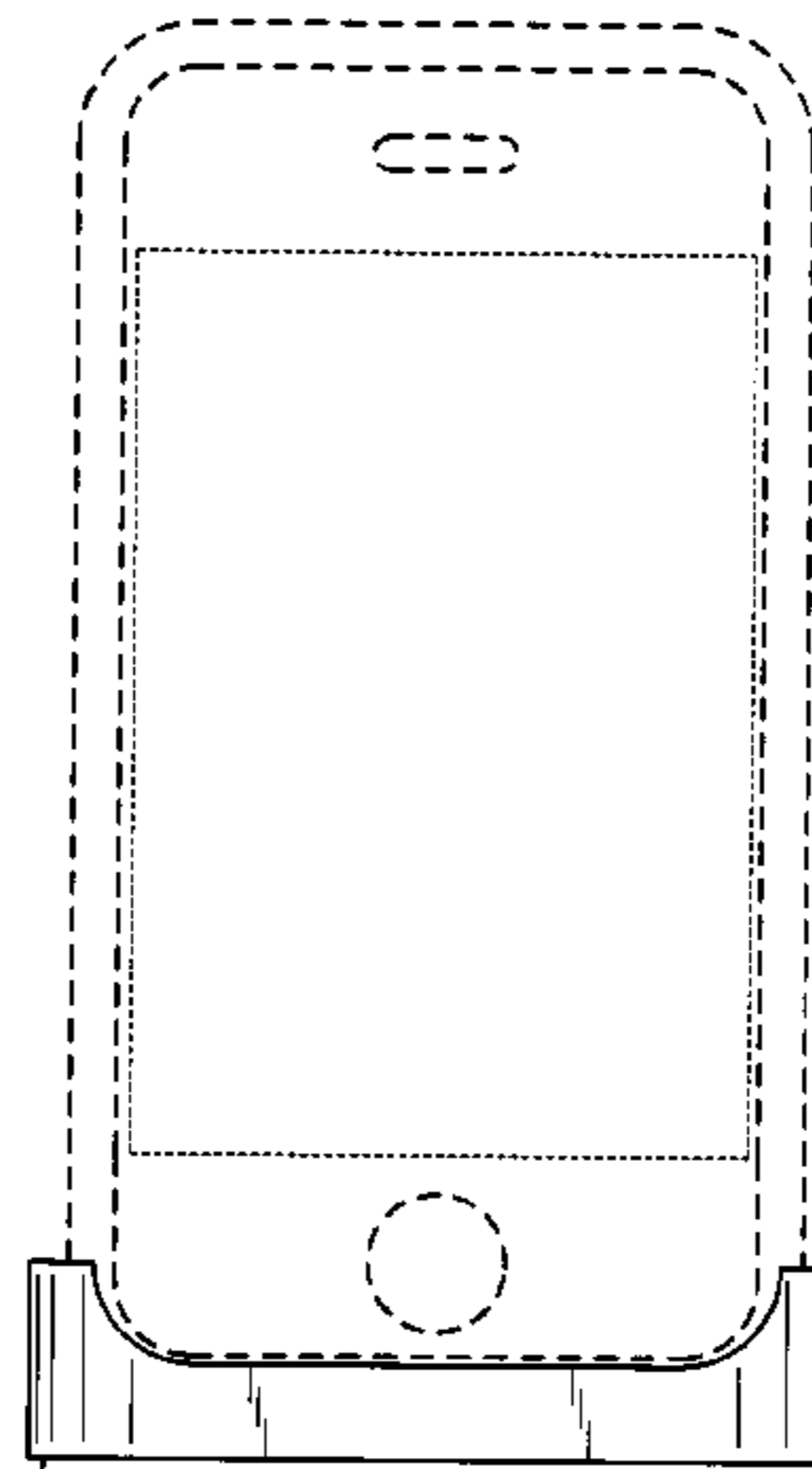
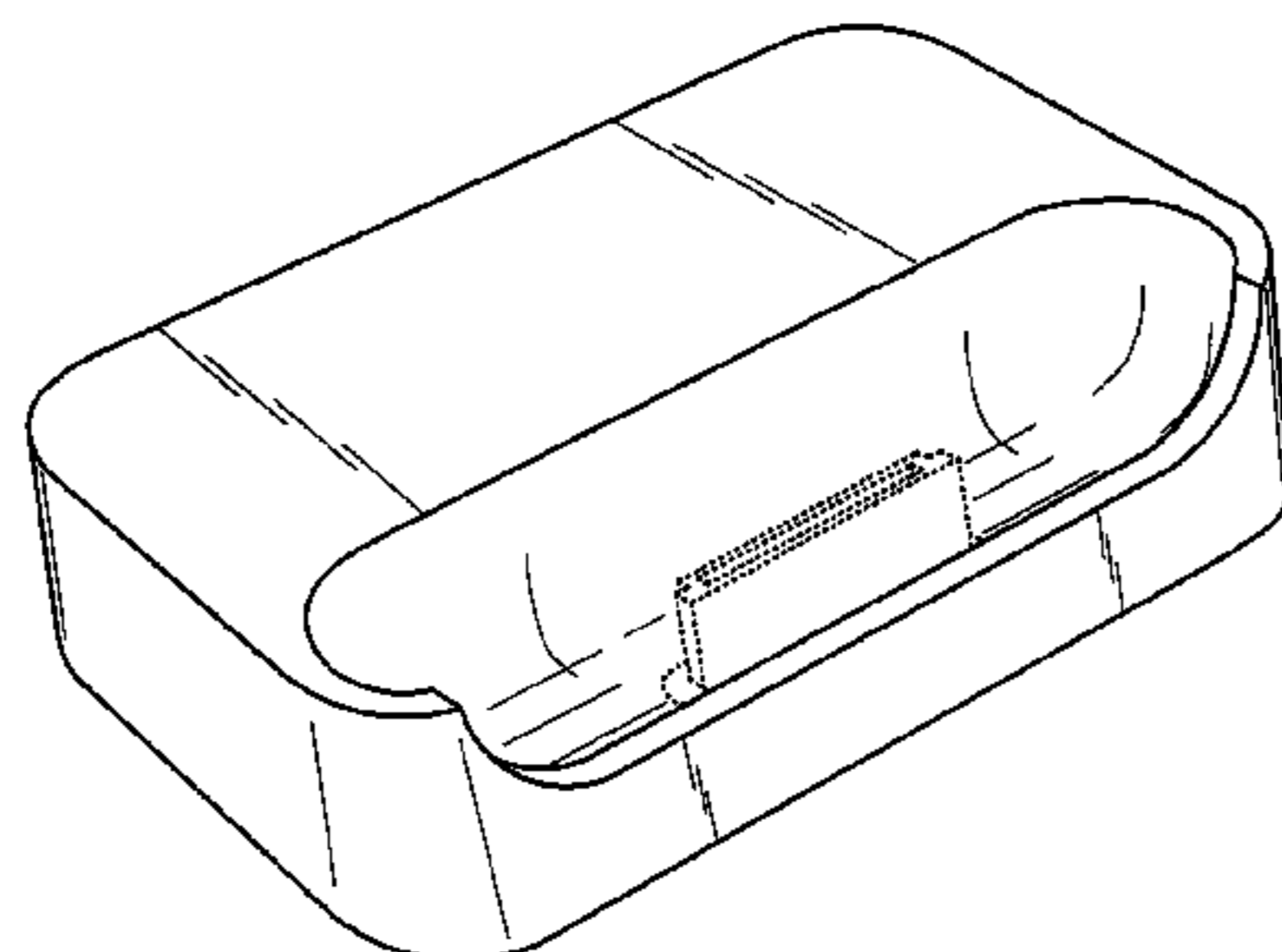
FIG. 7 is a left side view of the stand.

FIG. 8 is a front view of the stand with an electronic device placed therein; and,

FIG. 9 is a right side view of the stand with an electronic device placed therein.

The features shown in broken lines in the various Figures are for illustrating environmental structure and form no part of the claimed design.

**1 Claim, 3 Drawing Sheets**



# US D571,360 S

Page 2

## U.S. PATENT DOCUMENTS

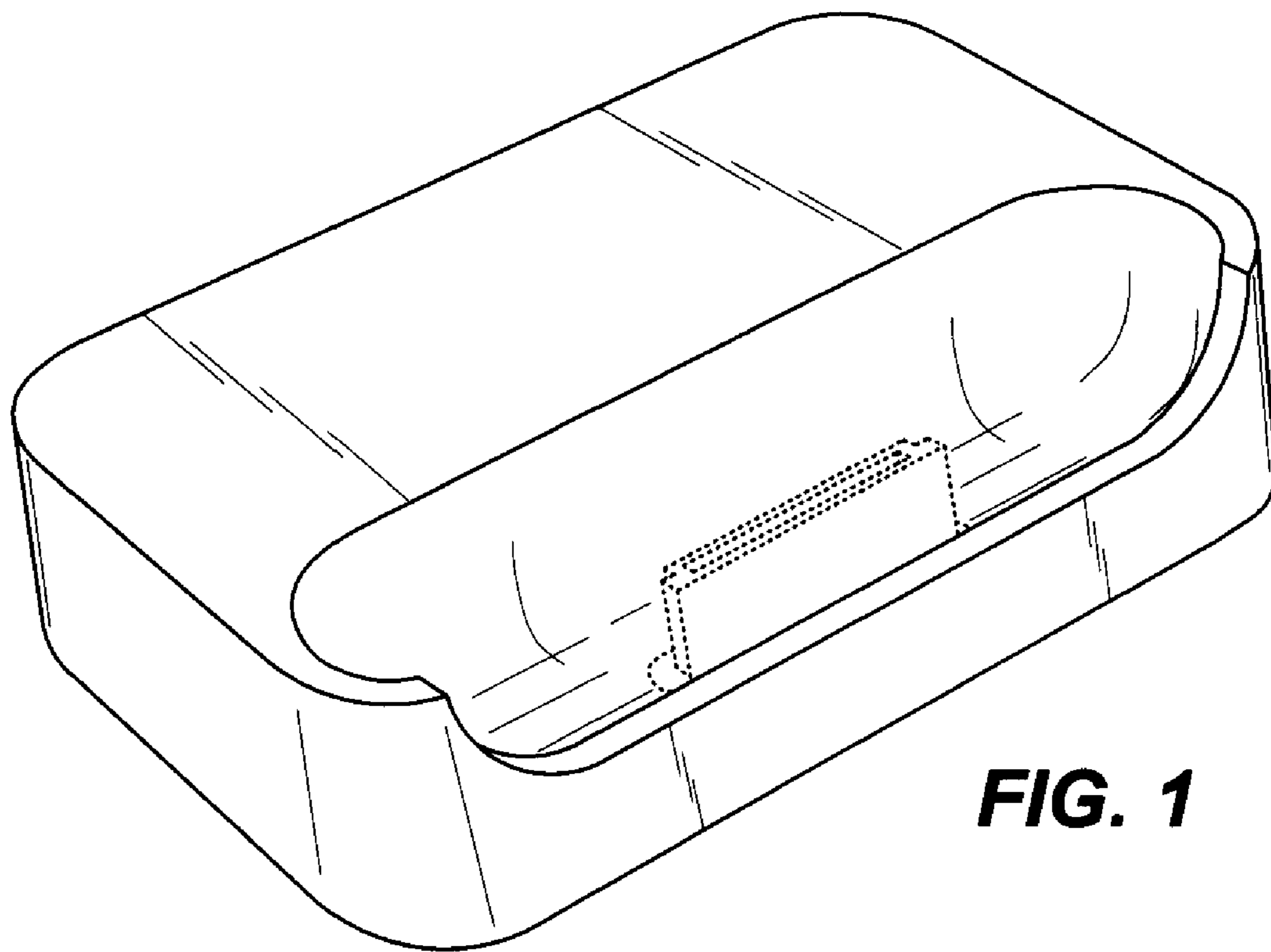
D336,631 S 6/1993 Ivester  
 5,280,229 A 1/1994 Faude et al.  
 D350,330 S 9/1994 Peterson  
 D358,821 S \* 5/1995 Hellier et al. .... D14/253  
 D361,069 S \* 8/1995 Hellier et al. .... D14/253  
 D374,858 S 10/1996 Chu  
 5,600,225 A 2/1997 Goto  
 5,604,458 A 2/1997 Dowe  
 5,627,727 A 5/1997 Aguilera et al.  
 D385,530 S 10/1997 Hames et al.  
 D388,764 S 1/1998 Bartling et al.  
 D390,824 S \* 2/1998 Foster et al. .... D13/108  
 5,742,149 A 4/1998 Simpson  
 D397,996 S 9/1998 Smith  
 D409,987 S 5/1999 Okumura  
 D411,166 S 6/1999 Uemura et al.  
 5,926,005 A 7/1999 Holcomb et al.  
 5,952,814 A 9/1999 Van Lerberghe  
 D416,536 S 11/1999 Ross et al.  
 D419,160 S 1/2000 Davidson et al.  
 6,042,414 A 3/2000 Kunert  
 D422,556 S 4/2000 Okura et al.  
 D439,908 S 4/2001 Gozani  
 D440,542 S 4/2001 Hawkins et al.  
 D442,939 S 5/2001 Goldenburg  
 D444,121 S 6/2001 Chun et al.  
 D444,124 S 6/2001 Casey et al.  
 6,307,348 B1 10/2001 Green  
 D450,707 S 11/2001 Francavilla et al.  
 D454,332 S 3/2002 Yokoyama  
 D459,299 S 6/2002 Hughes et al.  
 D461,476 S 8/2002 Evers et al.  
 D463,361 S 9/2002 Ruohonen  
 D466,122 S 11/2002 Moody  
 D468,305 S 1/2003 Ma et al.  
 6,524,240 B1 2/2003 Thede  
 D472,900 S 4/2003 Matsumoto  
 D477,823 S 7/2003 Lavello, Sr.  
 6,711,005 B2 3/2004 Martin  
 D488,440 S 4/2004 Senda  
 D495,336 S 8/2004 Andre et al.  
 6,798,647 B2 9/2004 Dickie  
 6,813,528 B1 11/2004 Yang  
 6,898,080 B2 5/2005 Yin et al.  
 D508,459 S 8/2005 Yoshida

D509,790 S \* 9/2005 Sakai ..... D13/108  
 D510,091 S 9/2005 Mori et al.  
 D520,945 S \* 5/2006 Hayamizu ..... D13/108  
 D520,946 S \* 5/2006 Nasu ..... D13/108  
 D525,616 S 7/2006 Andre et al.  
 7,075,579 B2 7/2006 Whitby et al.  
 D526,321 S 8/2006 Hayes et al.  
 D530,717 S 10/2006 Mori et al.  
 D532,005 S 11/2006 Leith  
 7,145,603 B2 12/2006 Whitby et al.  
 D535,614 S 1/2007 Majanen et al.  
 D551,212 S 9/2007 Andre et al.  
 D551,213 S 9/2007 Andre et al.  
 D552,085 S 10/2007 Andre et al.  
 2002/0103008 A1 8/2002 Rahn et al.  
 2003/0198015 A1 10/2003 Vogt  
 2006/0250764 A1 11/2006 Howarth et al.  
 2007/0047198 A1 3/2007 Crooijmans et al.

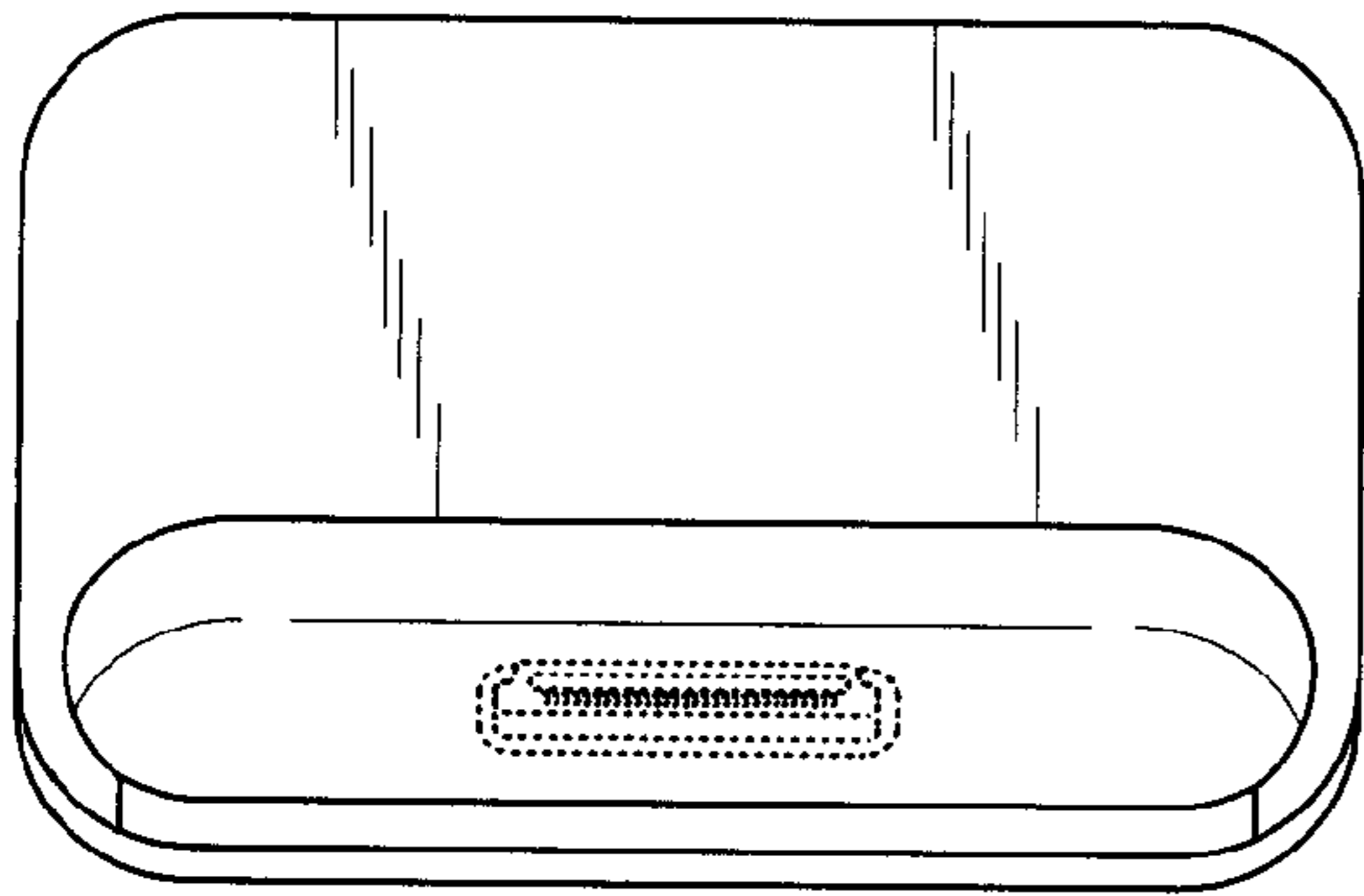
## OTHER PUBLICATIONS

“BookEndz Home Page”, downloaded Apr. 11, 2003, www.bookendzdocks.com/bookendz/index.htm.  
 U.S. Appl. No. 29/270,883, Stand, filed Jan. 5, 2007.  
 US. Appl. No. 29/237,084 entitled “Docking Station” filed Aug. 24, 2005.  
 US. Appl. No. 29/237,233 entitled “Docking Station” filed Aug. 24, 2005.  
 US. Appl. No. 29/237,687 entitled “Docking Station” filed Aug. 24, 2005.  
 US. Appl. No. 29/265,590 entitled “Stand” filed Sep. 1, 2006.  
 US. Appl. No. 29/232,424 entitled “Docking Station” filed Jul. 19, 2007.  
 US. Appl. No. 29/282,543 entitled “Dock Insert” filed Jul. 23, 2007.  
 “Atech Flash Technology iduo ipod Dock and card Reader”, www.the-gadgeteer.com, downloaded Nov. 21, 2005.  
 “Adaptec xHub for Notebooks”, [http://www.everythingusb.com/hardware/index/Adaptec\\_xHub\\_for\\_Notebooks.htm](http://www.everythingusb.com/hardware/index/Adaptec_xHub_for_Notebooks.htm), downloaded Nov. 22, 2005.  
 “Belkin’s Top loading USB Hub for iPod shuffle”, [http://www.everythingusb.com/belkin\\_hispeed\\_2.0\\_4-port\\_hub.html](http://www.everythingusb.com/belkin_hispeed_2.0_4-port_hub.html), downloaded Nov. 22, 2005.  
 “Belkin Hi-Speed USB 2.07. sub.—Port Hub”, [http://www.everythingusb.com/hardware/index/Belkin\\_Hi-Speed\\_USB\\_2.0\\_7-Port\\_Hub...](http://www.everythingusb.com/hardware/index/Belkin_Hi-Speed_USB_2.0_7-Port_Hub...), downloaded Nov. 22, 2005.

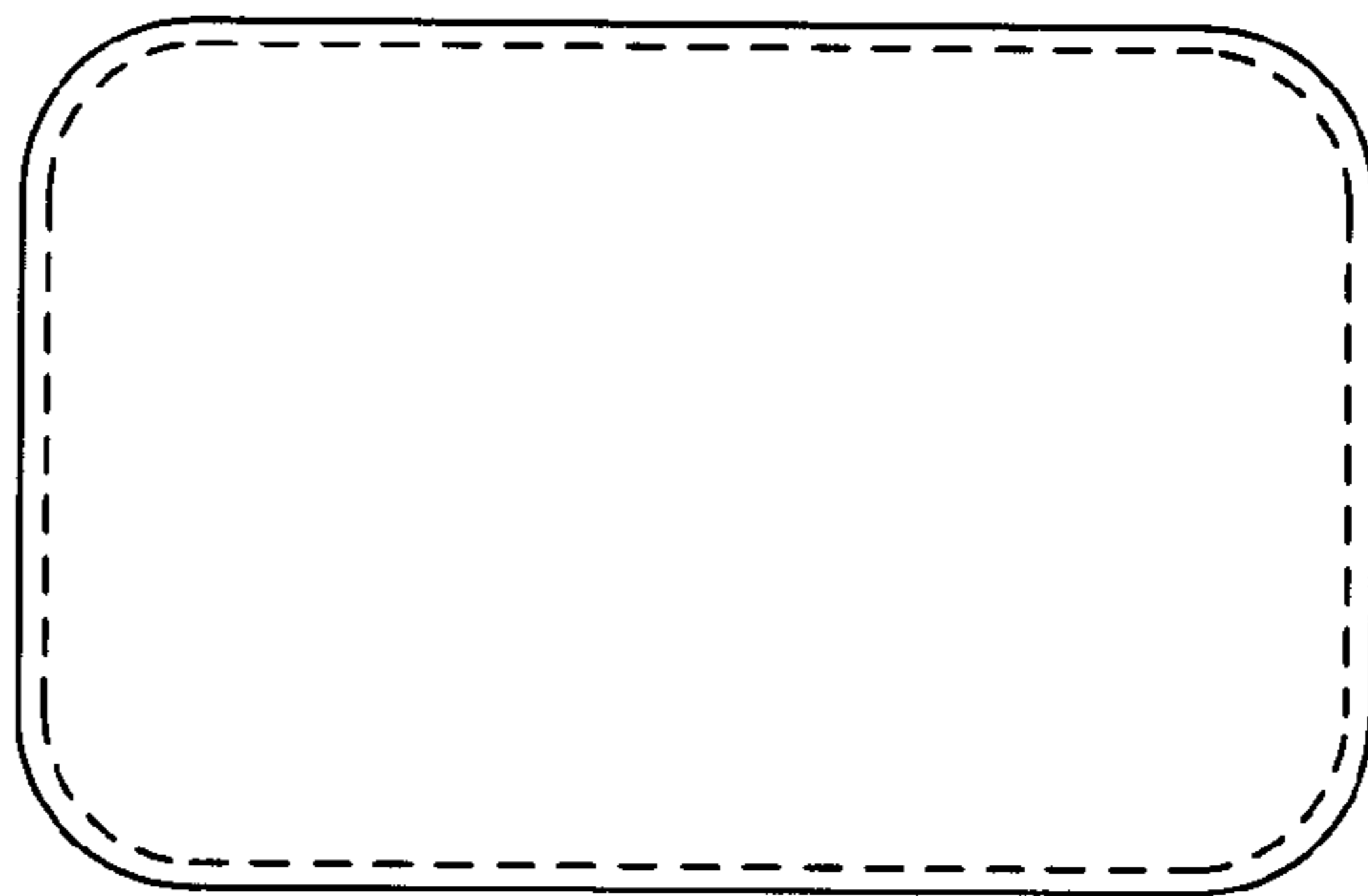
\* cited by examiner



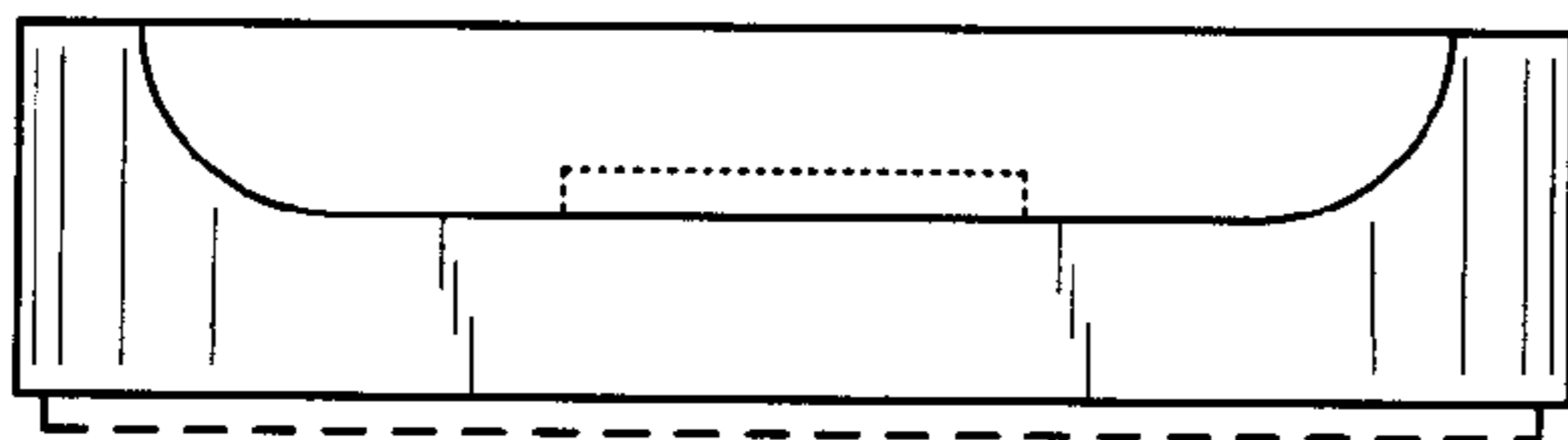
**FIG. 1**



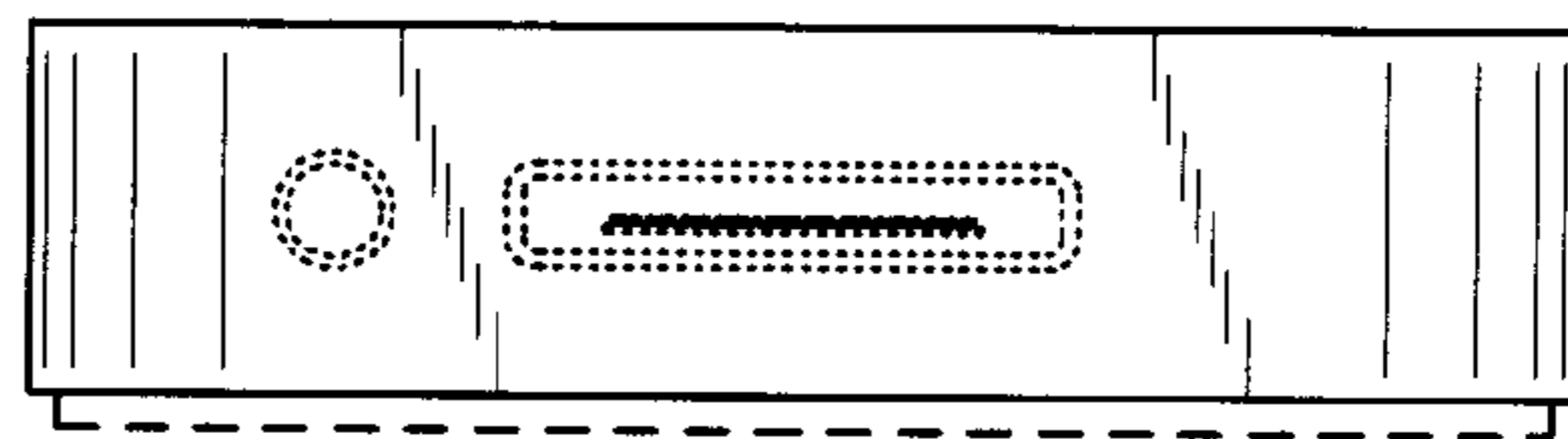
**FIG. 2**



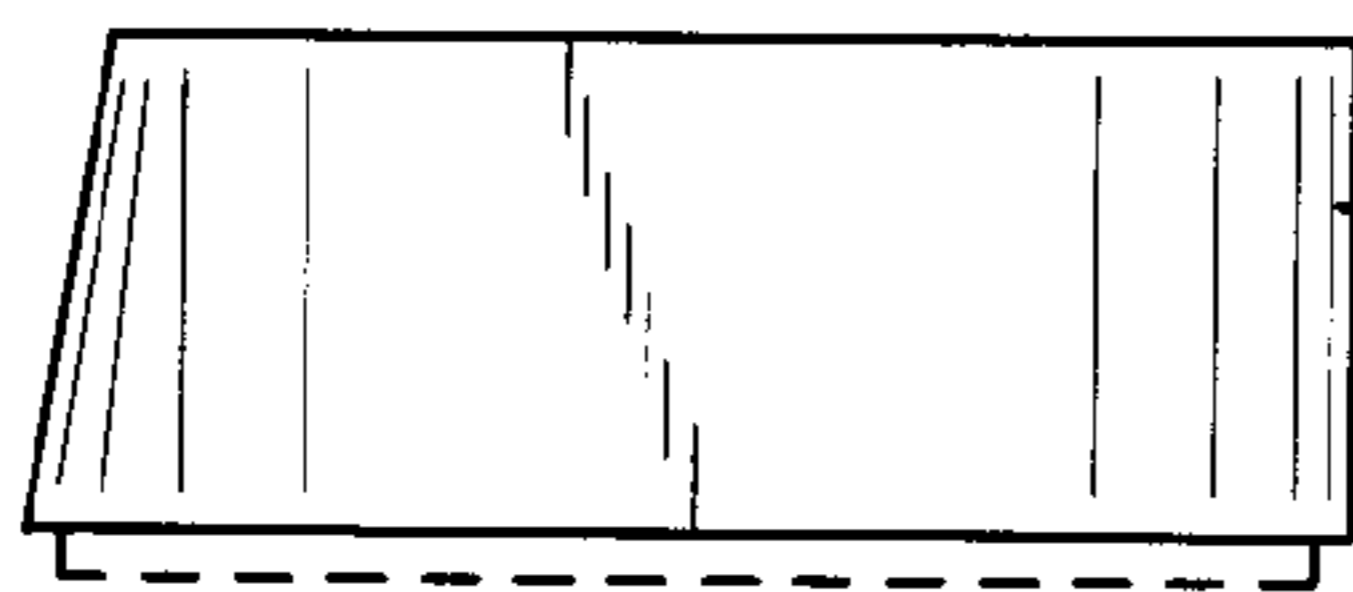
**FIG. 3**



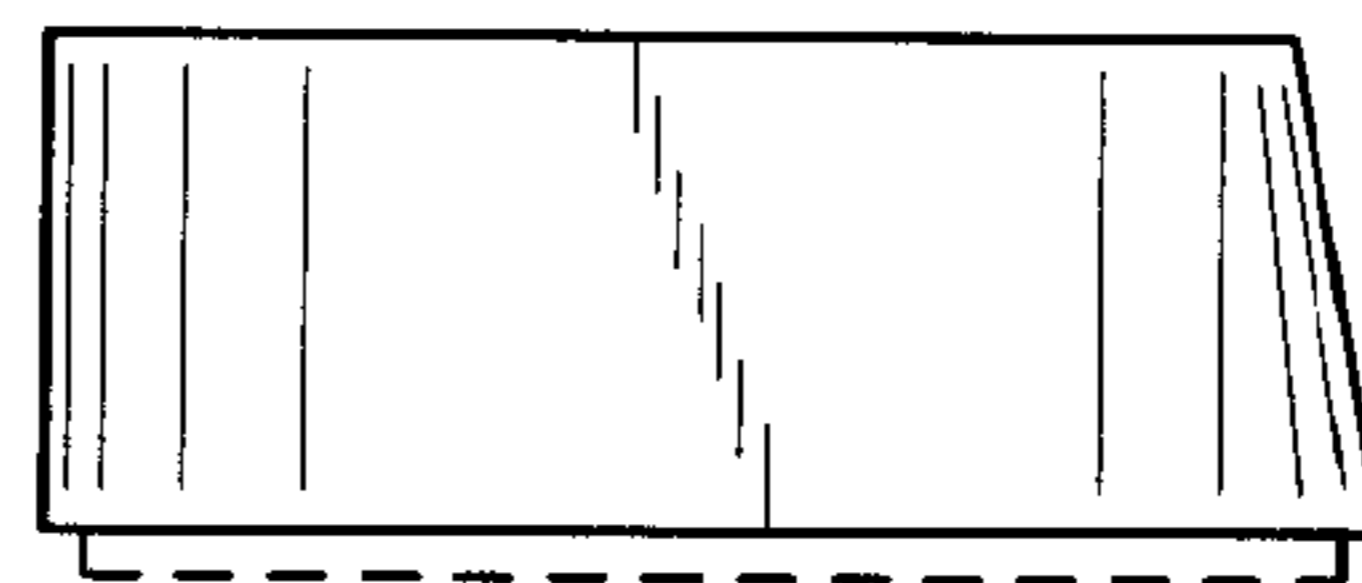
**FIG. 4**



**FIG. 5**

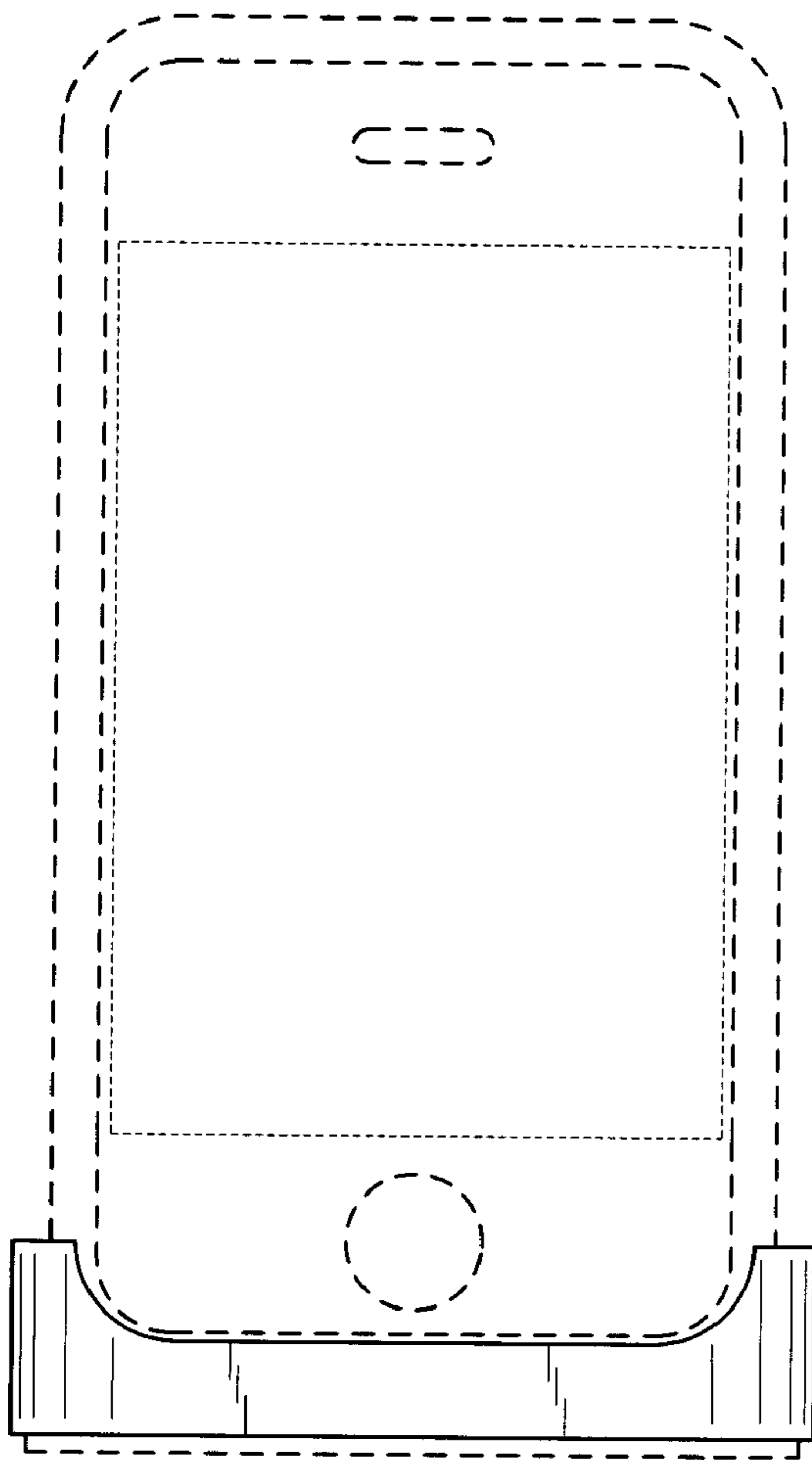


**FIG. 6**

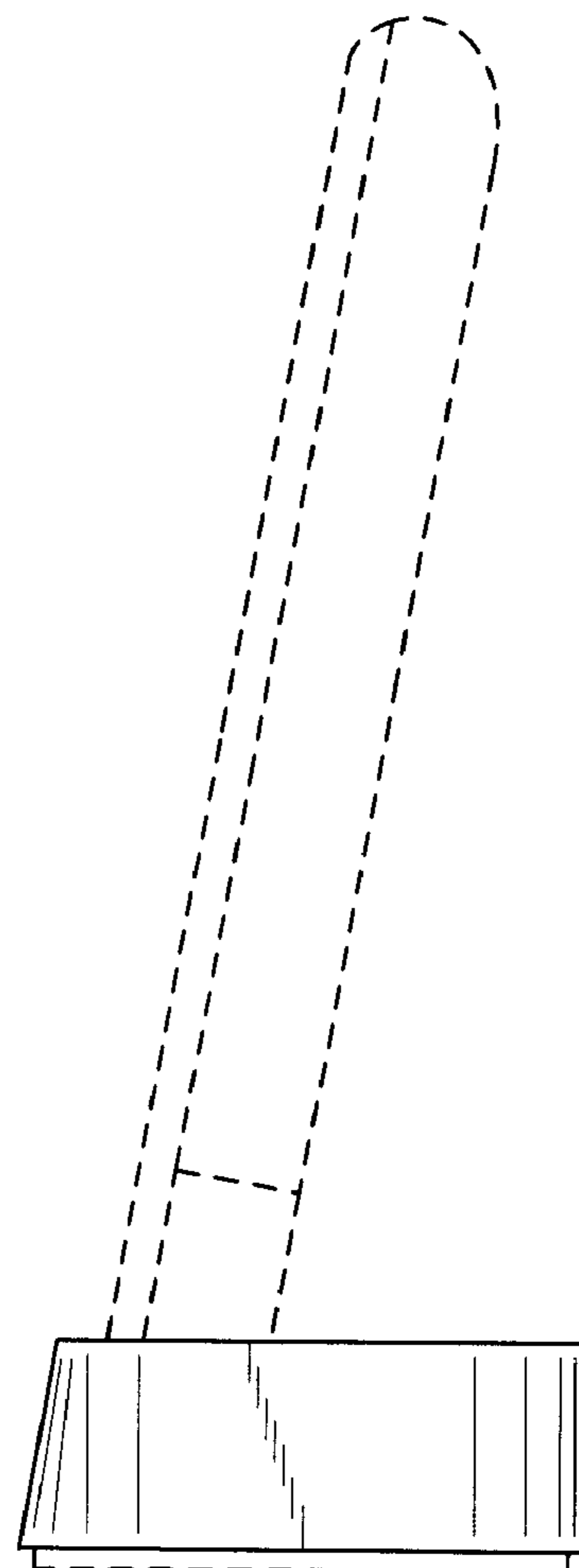


**FIG. 7**





**FIG. 8**



**FIG. 9**