

US00D571359S

(12) **United States Design Patent**
Chang

(10) **Patent No.:** **US D571,359 S**

(45) **Date of Patent:** **** Jun. 17, 2008**

(54) **SPEAKER**

(76) Inventor: **Yung-Yu Chang**, No. 75, Lane 223,
Chung-Cheng Rd., Shan-Hua Chen,
Tainan Hsien (TW)

(**) Term: **14 Years**

(21) Appl. No.: **29/286,197**

(22) Filed: **Apr. 26, 2007**

(51) **LOC (8) Cl.** **14-01**

(52) **U.S. Cl.** **D14/216**

(58) **Field of Classification Search** D14/204,
D14/207, 209-217, 356, 496; 181/143-144,
181/147-148, 150, 157, 198-199, 151, 153;
381/300-302, 306, 333, 345, 361-364, 386-388,
381/332, 336

See application file for complete search history.

(56) **References Cited**

U.S. PATENT DOCUMENTS

D223,580 S * 5/1972 Richards D14/215
4,334,211 A * 6/1982 McConnell et al. 181/143

4,756,382 A * 7/1988 Hudson, III 181/156
D384,350 S * 9/1997 Nuevo et al. D14/168
D392,640 S * 3/1998 Tully et al. D14/216
D436,943 S * 1/2001 Hayashi et al. D14/168

* cited by examiner

Primary Examiner—Nanda Bondade

(74) *Attorney, Agent, or Firm*—Jackson, Walker LLP

(57) **CLAIM**

The ornamental design for a speaker, as shown.

DESCRIPTION

FIG. 1 is a perspective view of a speaker in accordance with my new design;

FIG. 2 is a front view of the speaker in FIG. 1;

FIG. 3 is a rear view of the speaker in FIG. 1;

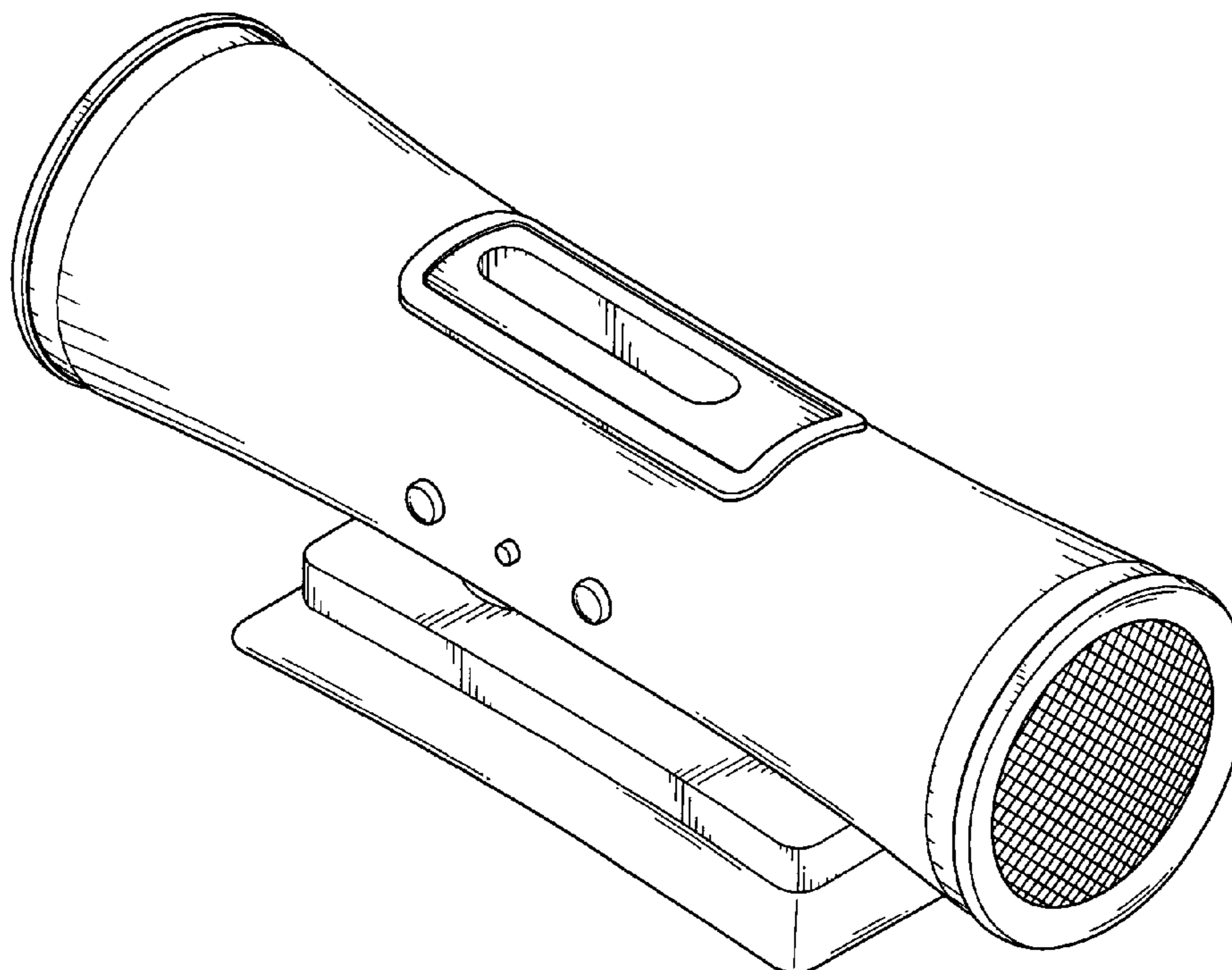
FIG. 4 is a left side view of the speaker in FIG. 1;

FIG. 5 is a right side view of the speaker in FIG. 1;

FIG. 6 is a top view of the speaker in FIG. 1; and,

FIG. 7 is a bottom view of the speaker in FIG. 1.

1 Claim, 4 Drawing Sheets



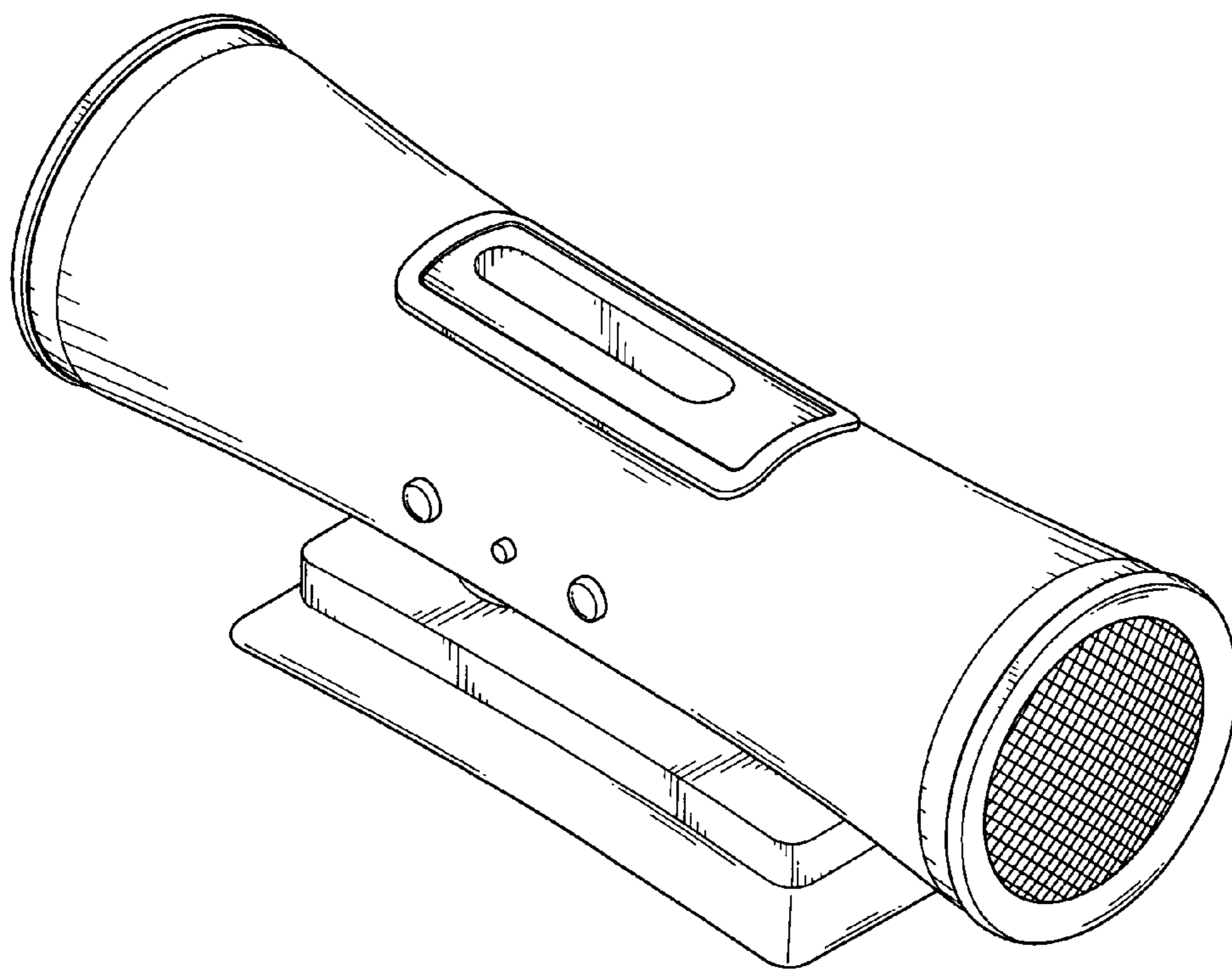


FIG.1

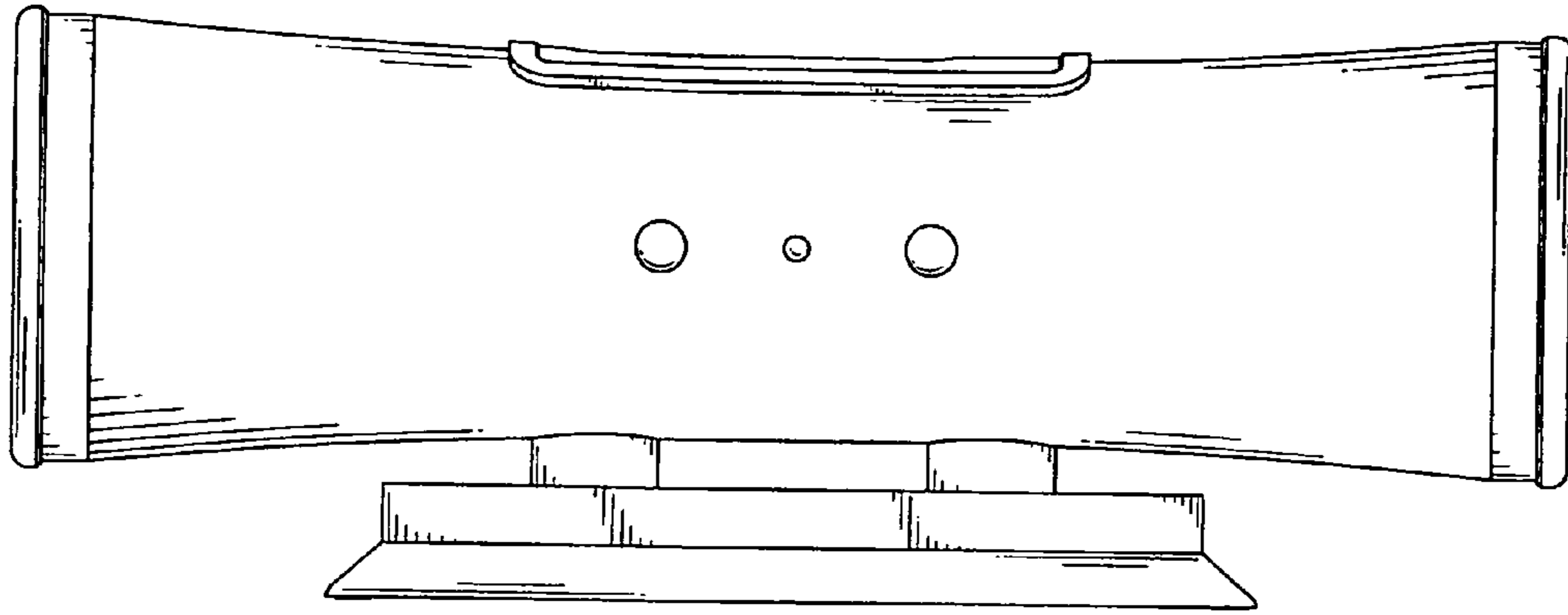


FIG. 2

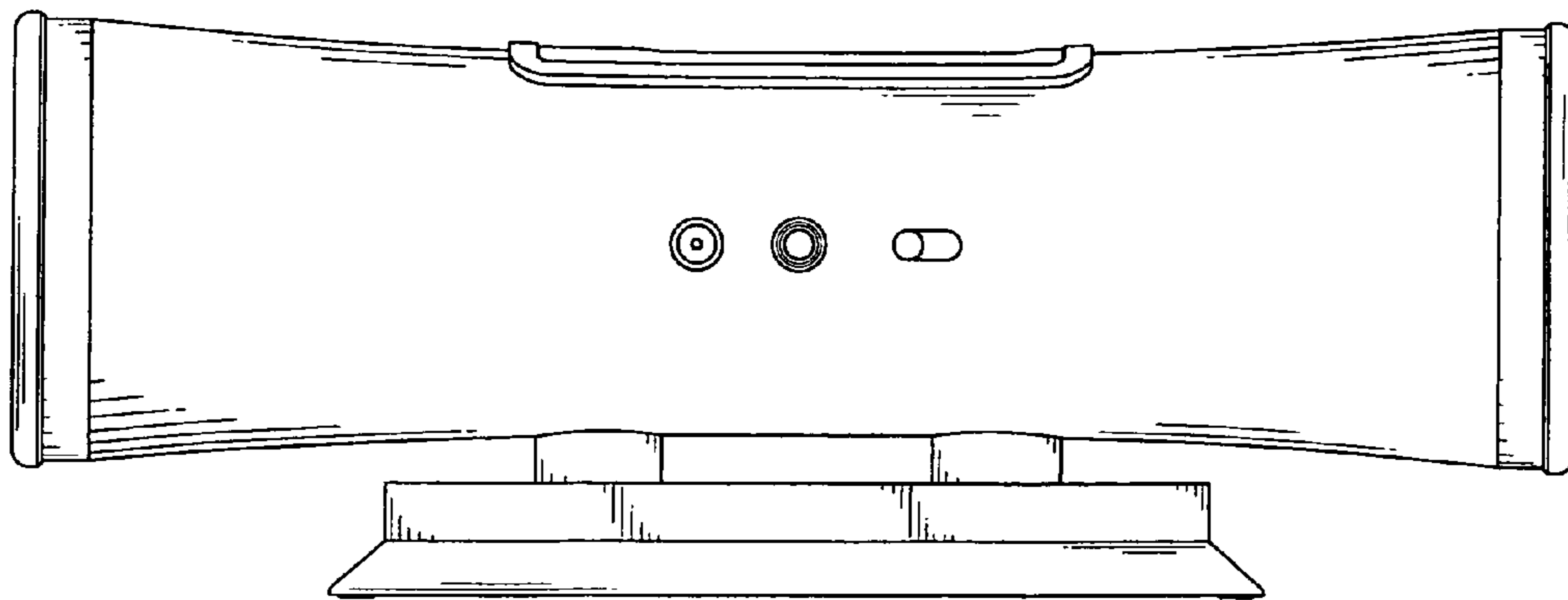


FIG. 3

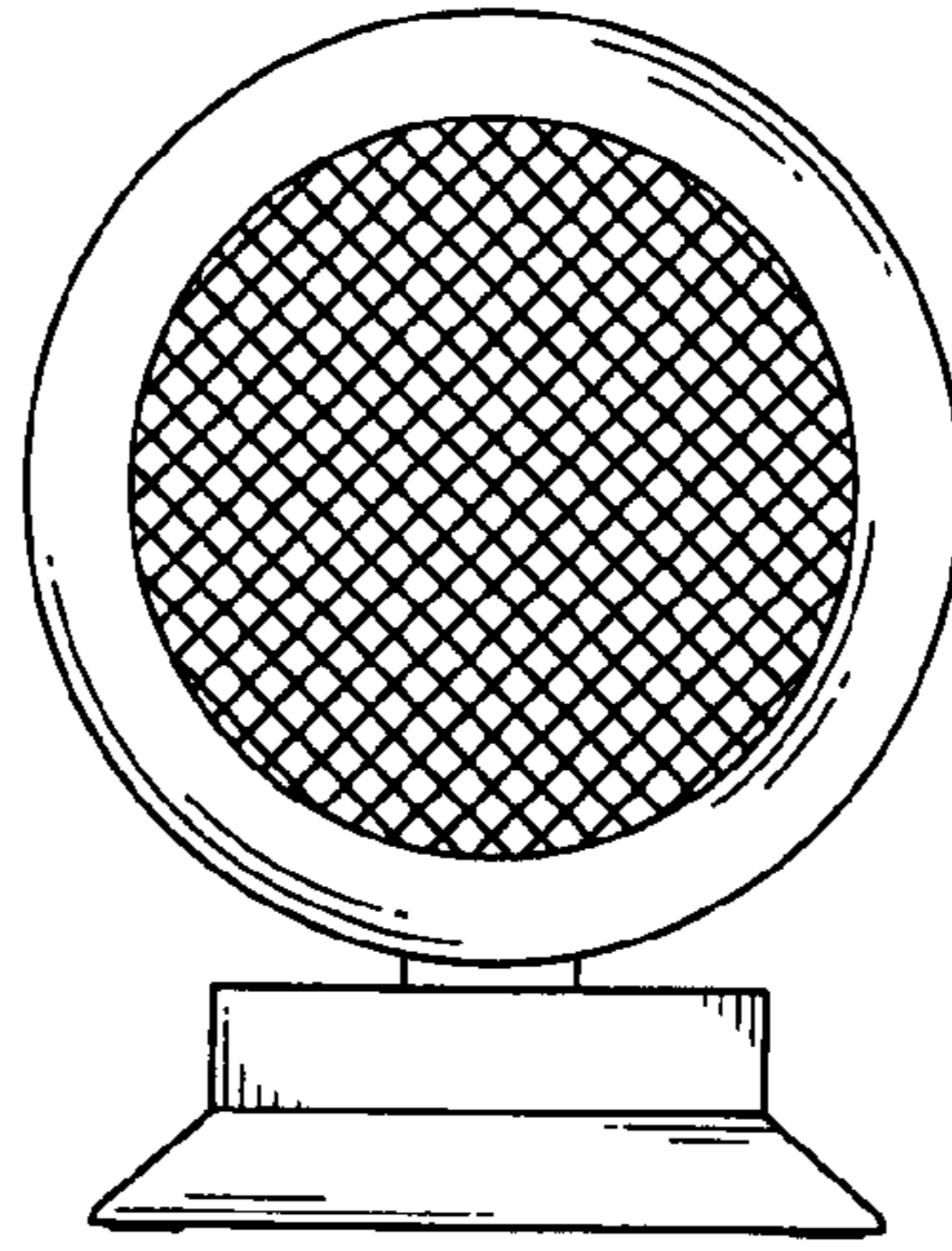


FIG. 4

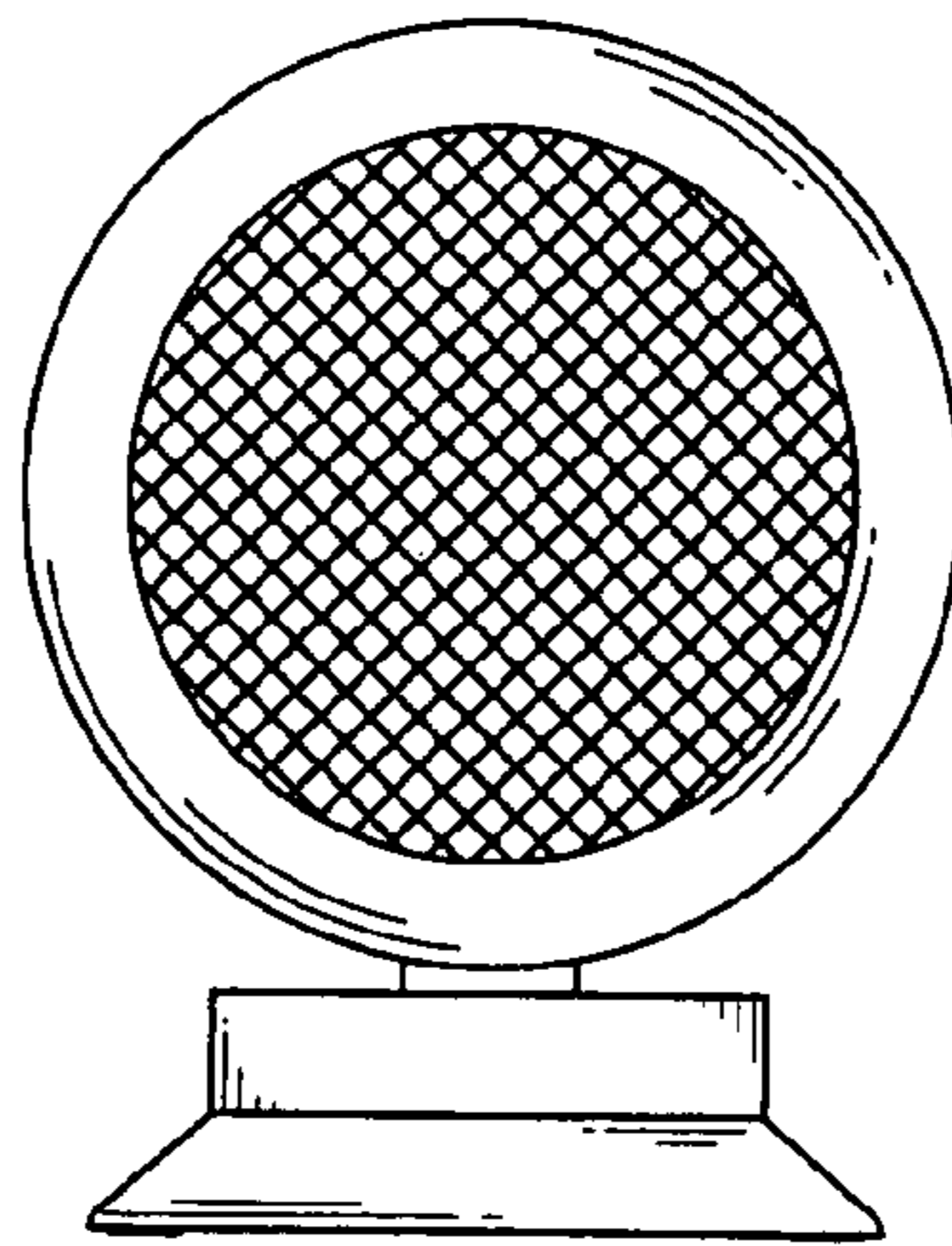


FIG. 5

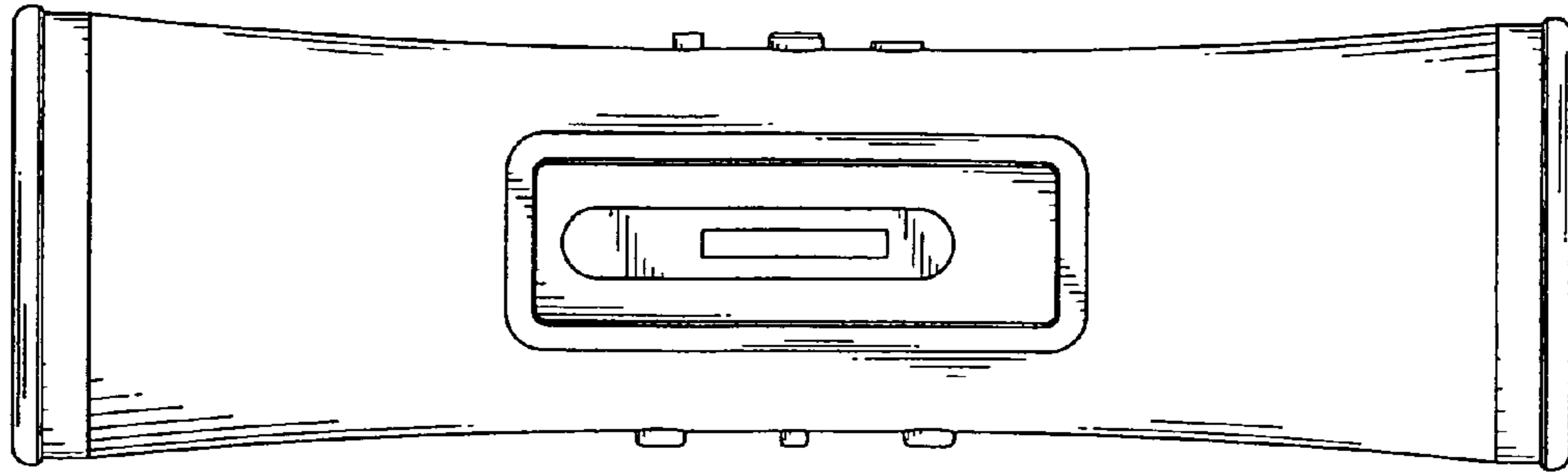


FIG. 6

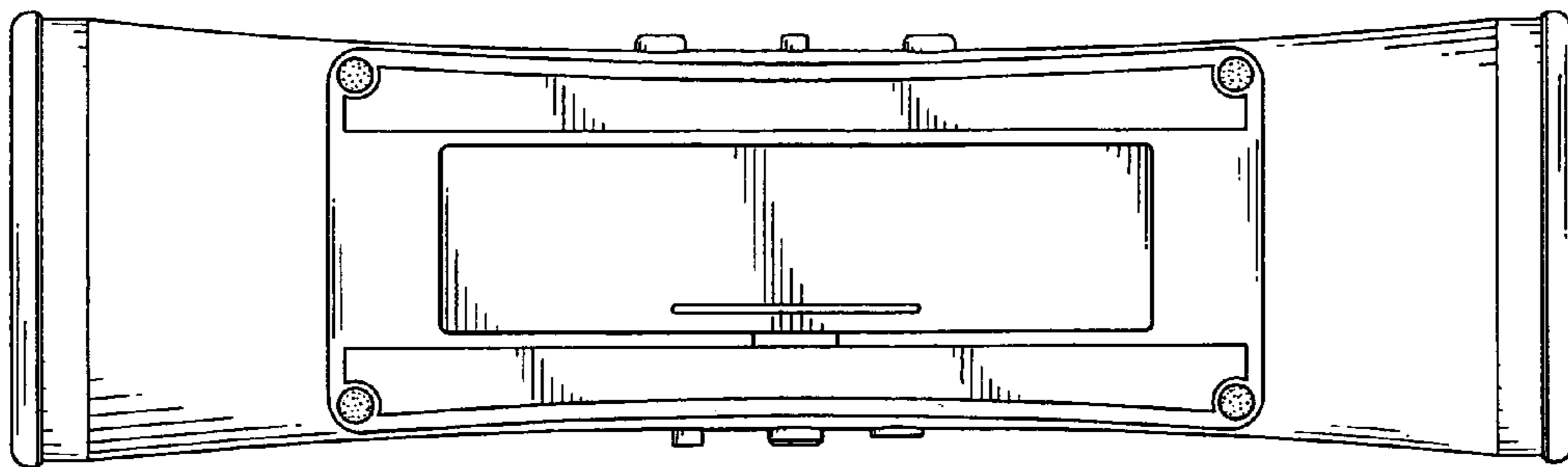


FIG. 7