



US00D571358S

(12) **United States Design Patent**
Yoshinaga et al.

(10) **Patent No.:** **US D571,358 S**
(45) **Date of Patent:** **** Jun. 17, 2008**

(54) **SPEAKER**

D535,977 S * 1/2007 Suzuki D14/214

(75) Inventors: **Takahiko Yoshinaga**, Kadoma (JP);
Takeshi Shimokawatoko, Kadoma (JP);
Koji Sano, Kadoma (JP); **Takehiko Tanabu**, Kadoma (JP)

FOREIGN PATENT DOCUMENTS

JP D 1241521 6/2005
JP D 1269495 4/2006

* cited by examiner

(73) Assignee: **Matsushita Electric Industrial Co., Ltd.** (JP)

Primary Examiner—Nanda Bondade
(74) *Attorney, Agent, or Firm*—Brinks Hofer Gilson & Lione

(**) Term: **14 Years**

(57) **CLAIM**

(21) Appl. No.: **29/285,570**

We claim the ornamental design for a speaker, as shown and described.

(22) Filed: **Apr. 2, 2007**

(30) **Foreign Application Priority Data**

DESCRIPTION

Oct. 11, 2006 (JP) 2006-027403

FIG. 1 is a front perspective view of a speaker of the present invention;

(51) **LOC (8) Cl.** **14-01**

FIG. 2 is a rear perspective view thereof;

(52) **U.S. Cl.** **D14/214**

FIG. 3 is a front view thereof;

(58) **Field of Classification Search** D14/204,
D14/207, 209–216, 219; 181/143–144, 147–148,
181/150, 157, 198–199, 151, 153; 381/300–302,
381/306, 333, 345, 361–364, 386–388, 332,
381/336

FIG. 4 is a bottom view thereof;

FIG. 5 is a top view thereof;

FIG. 6 is a first side view thereof;

FIG. 7 is a second side view thereof;

FIG. 8 is a rear view thereof;

See application file for complete search history.

FIG. 9 is a cross-section view taken along the line 9–9 of FIG. 3; and,

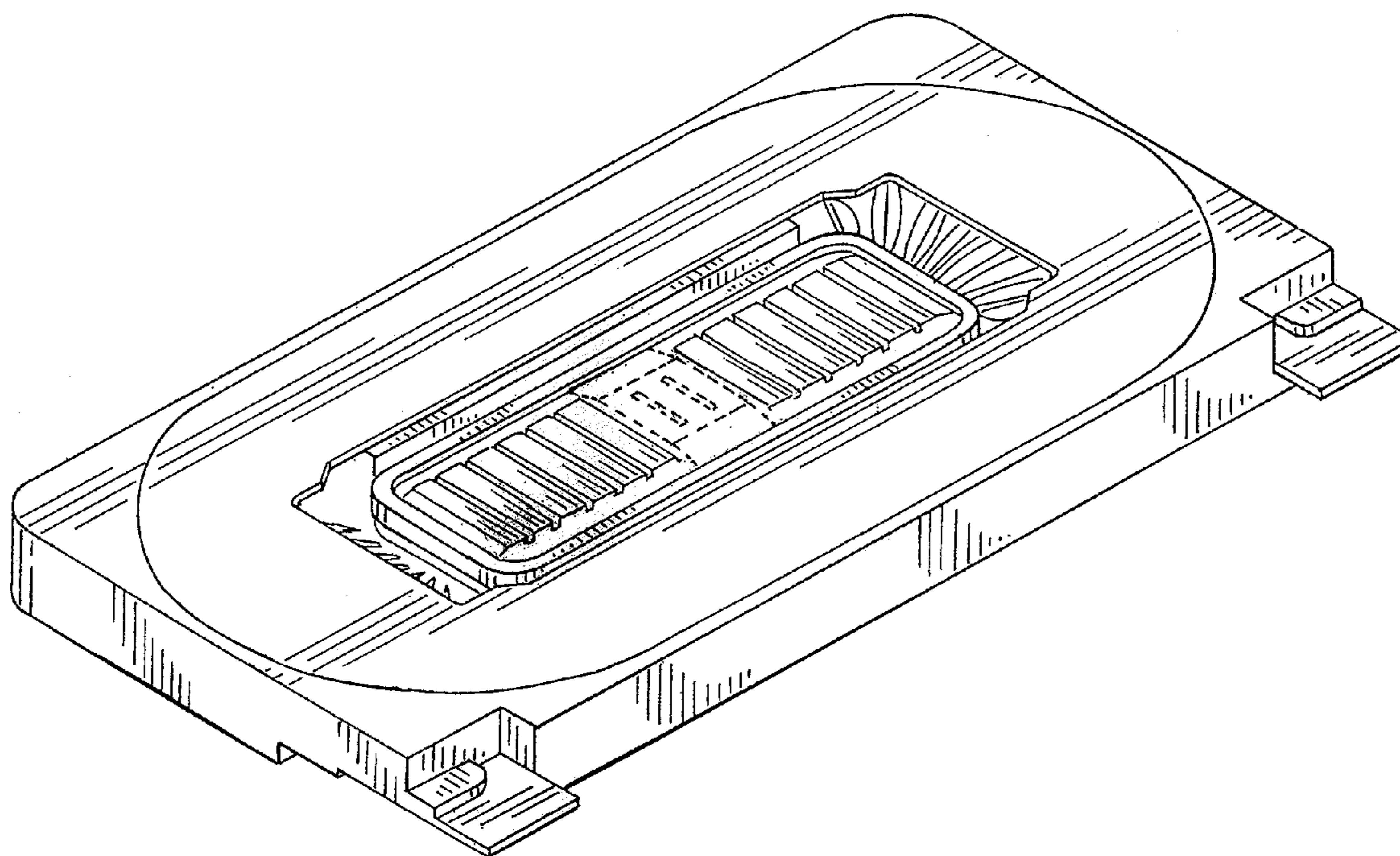
FIG. 10 is a cross-section view taken along the line of 10–10 of FIG. 3.

(56) **References Cited**

U.S. PATENT DOCUMENTS

4,829,581 A * 5/1989 Nieuwendijk et al. 381/186
D472,887 S * 4/2003 Right et al. D14/214
D511,766 S * 11/2005 Suzuki D14/214
D533,163 S * 12/2006 Takase et al. D14/215

1 Claim, 3 Drawing Sheets



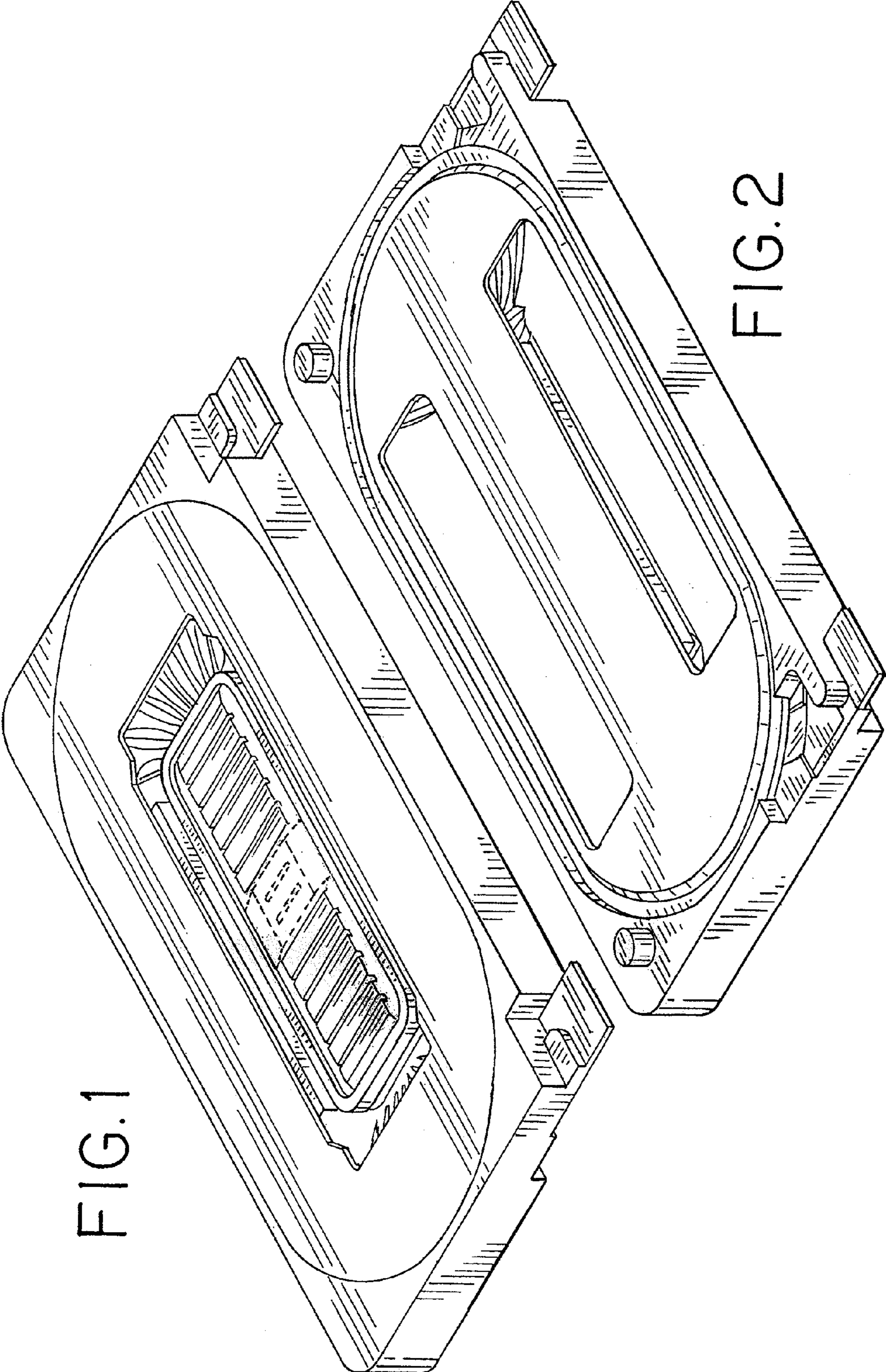


FIG.1

FIG.2

FIG. 3

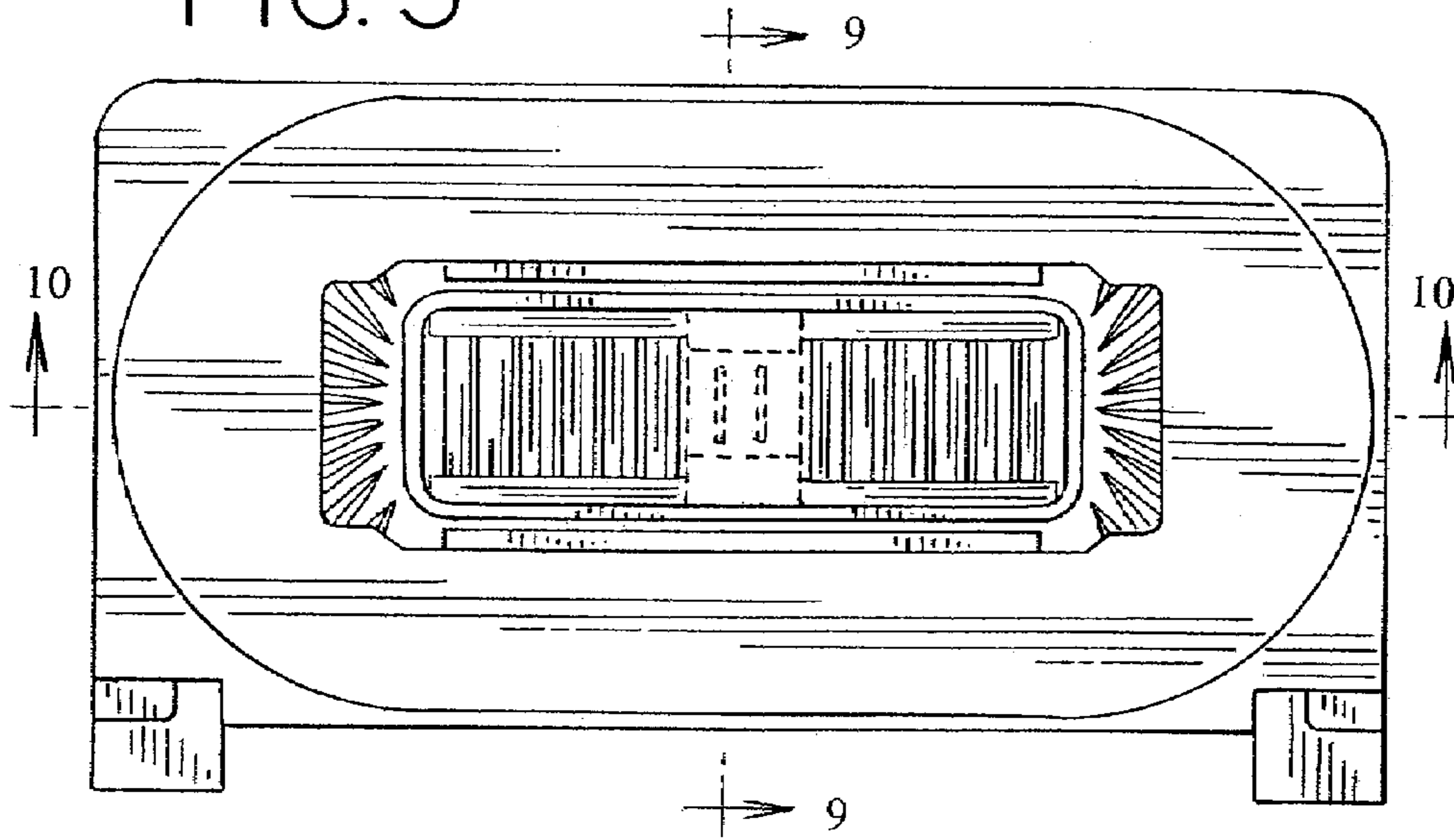


FIG. 4

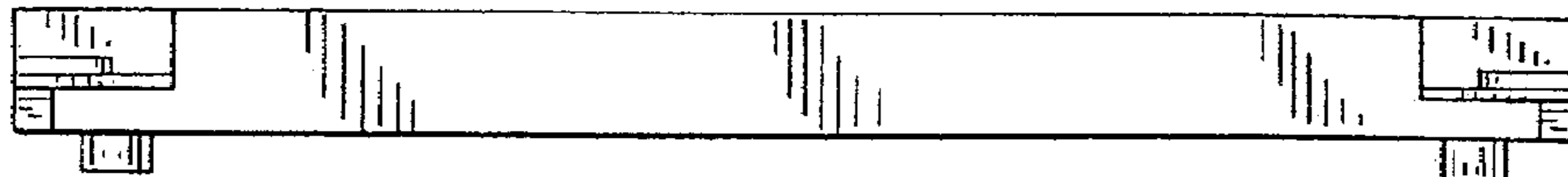


FIG. 5

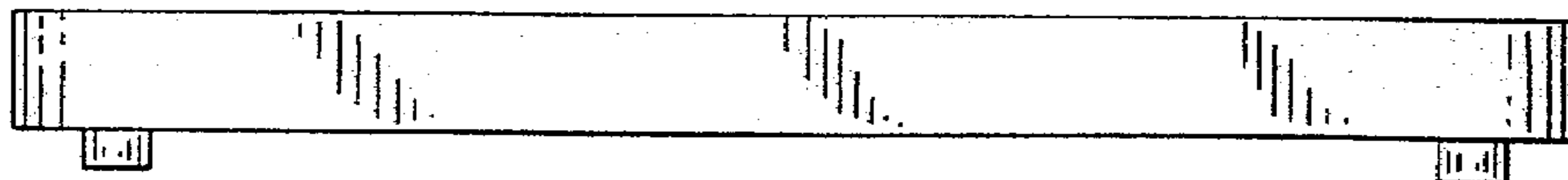


FIG. 6

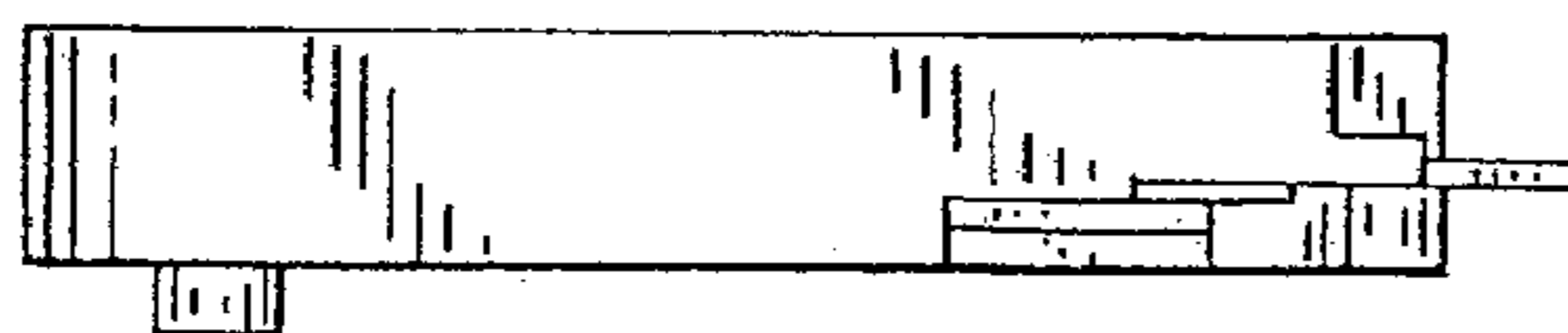


FIG. 7

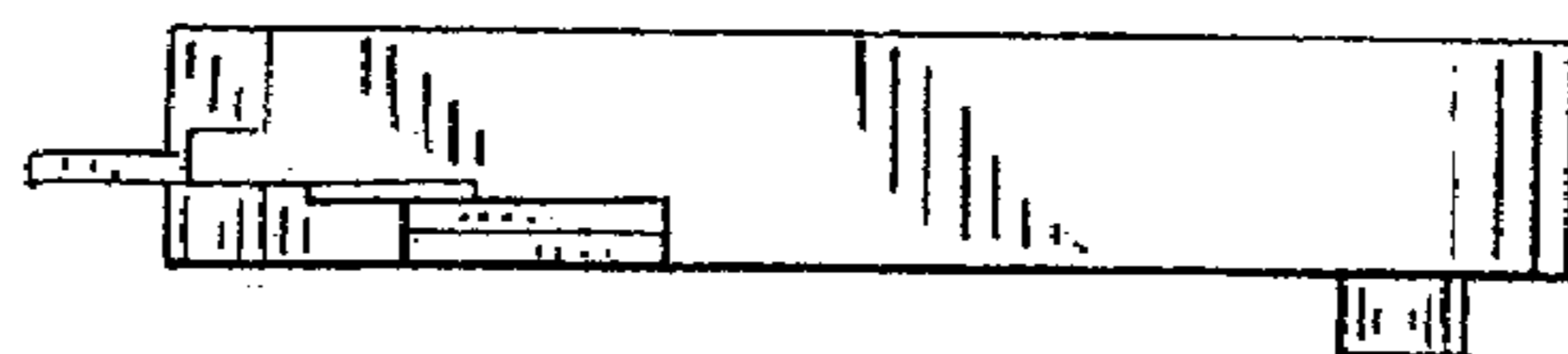


FIG. 8

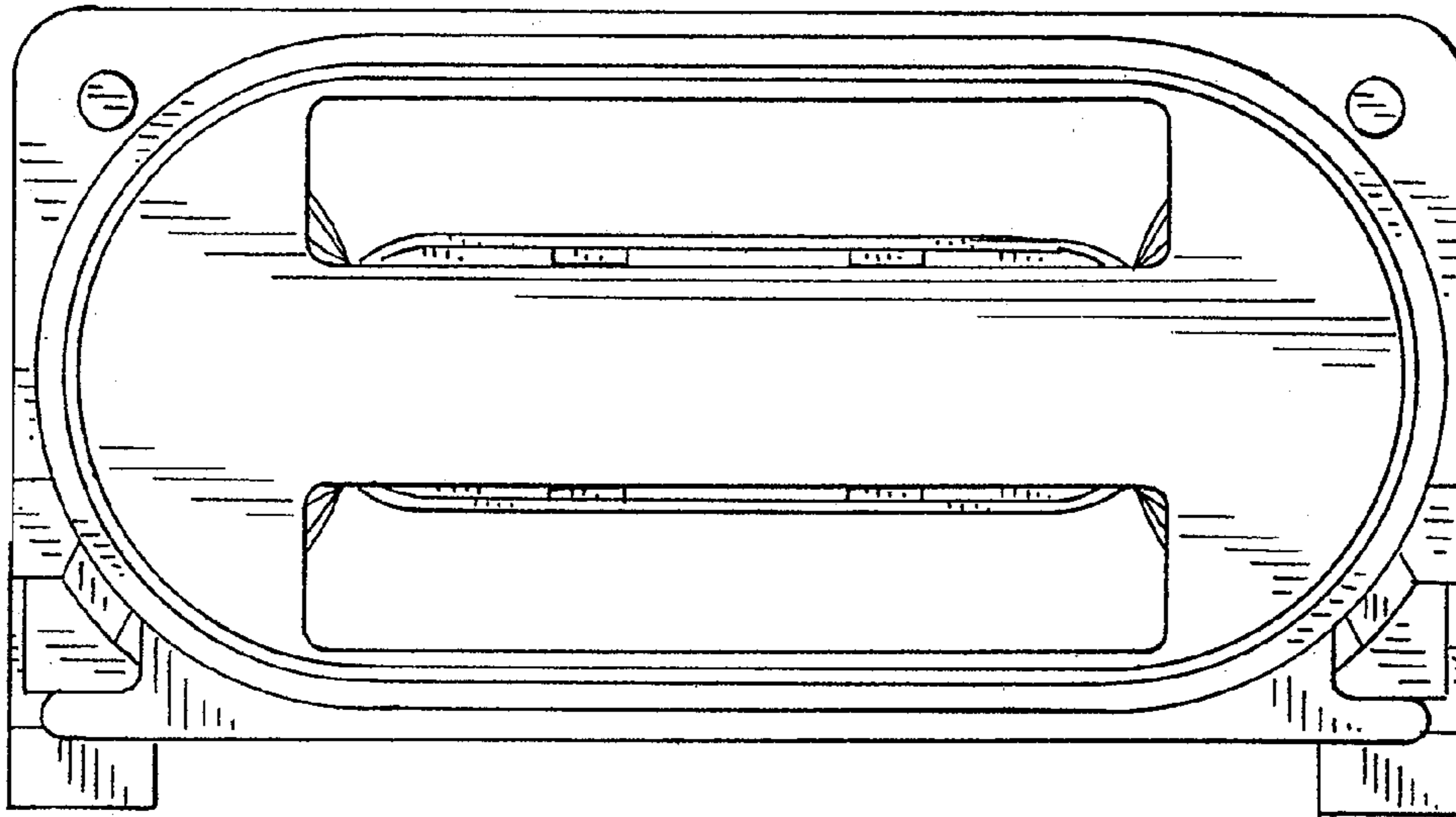


FIG. 9

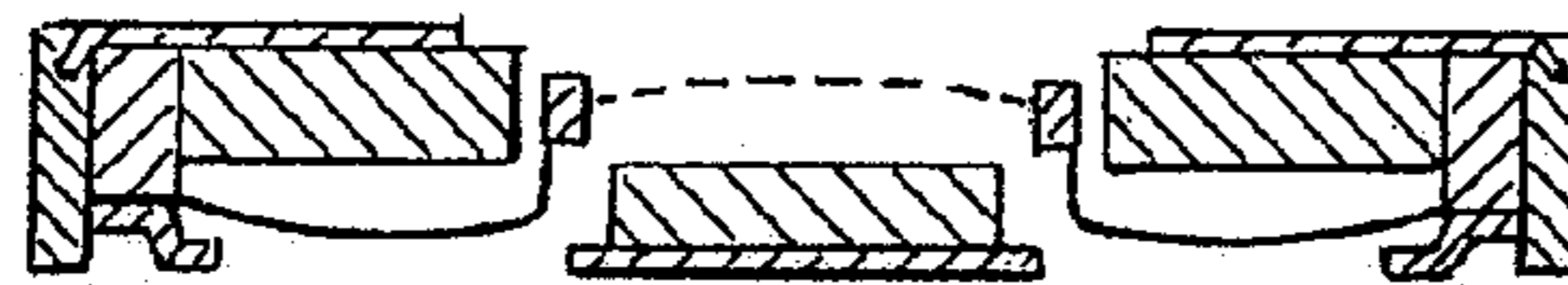


FIG. 10

