

US00D571355S

(12) **United States Design Patent**  
**Koizumi**

(10) **Patent No.:** **US D571,355 S**  
(45) **Date of Patent:** **\*\* Jun. 17, 2008**

(54) **SPEAKER BOX**

D540,310 S 4/2007 Yuyama

(75) Inventor: **Shiki Koizumi**, Tokyo (JP)

\* cited by examiner

(73) Assignee: **Sony Corporation**, Tokyo (JP)

*Primary Examiner*—Nanda Bondade  
(74) *Attorney, Agent, or Firm*—Rader, Fishman & Grauer, PLLC

(\*\*) Term: **14 Years**

(21) Appl. No.: **29/274,488**

(57) **CLAIM**

(22) Filed: **Apr. 27, 2007**

The ornamental design for a speaker box, as shown and described.

(30) **Foreign Application Priority Data**

**DESCRIPTION**

Oct. 31, 2006 (JP) ..... D2006-029852

(51) **LOC (8) Cl.** ..... **14-01**

(52) **U.S. Cl.** ..... **D14/214**

(58) **Field of Classification Search** ..... D14/204,  
D14/210–214; 181/143–144, 147–148, 150–153,  
181/157, 198–199; 381/300–303, 306, 332–333,  
381/336, 345, 361–364, 386–388

See application file for complete search history.

FIG. 1 is a front right top perspective view of a speaker box showing my new design;

FIG. 2 is a rear left bottom perspective view thereof;

FIG. 3 is a front elevational view thereof;

FIG. 4 is a rear elevational view thereof;

FIG. 5 is a right side elevational view thereof, a left side elevational view thereof being a mirror image of the right side elevational view;

FIG. 6 is a top plan view thereof; and,

FIG. 7 is a bottom plan view thereof.

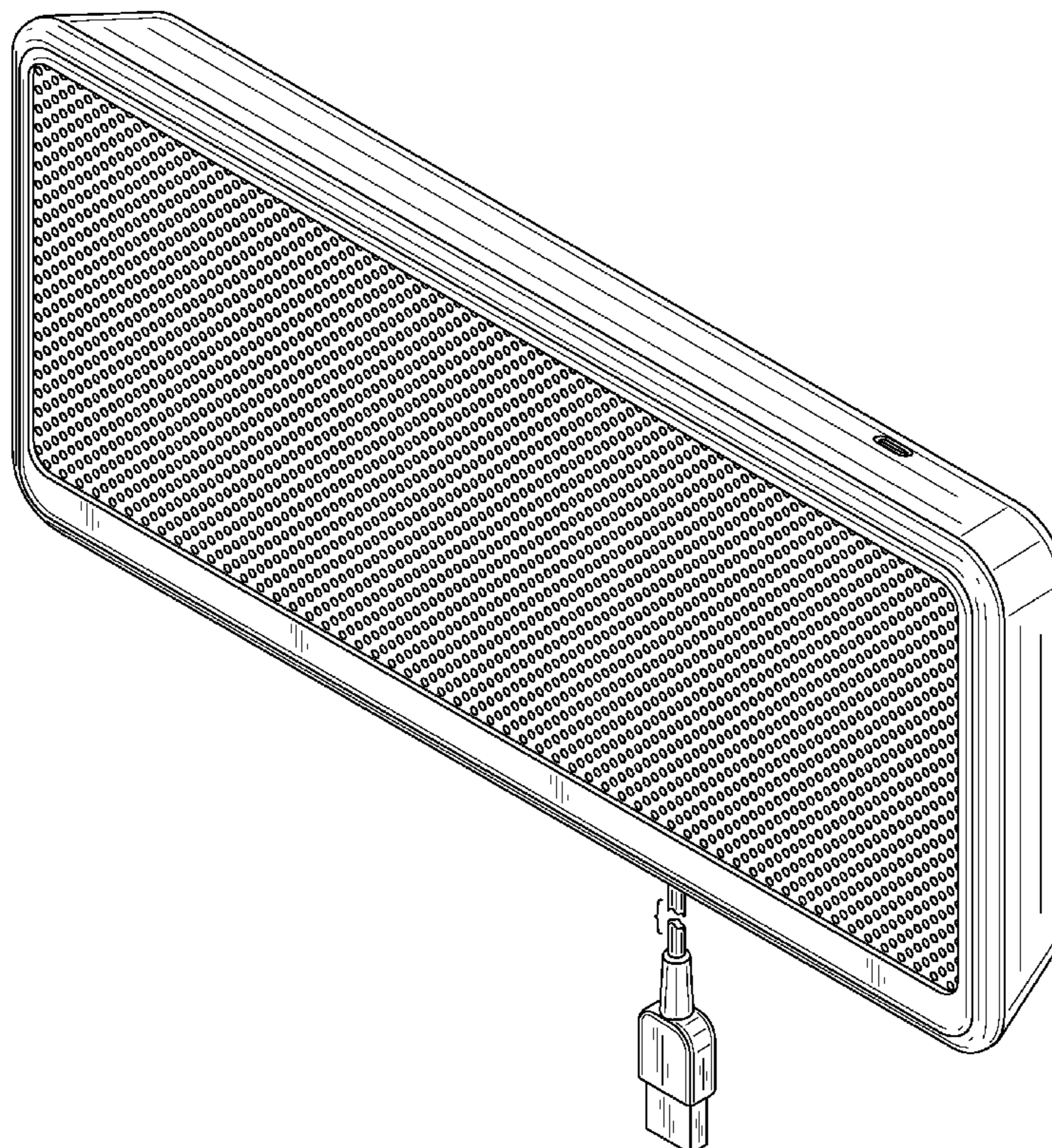
The broken away lines in the drawing disclosure indicates indeterminate length of the cable connected to the speaker box, which is not claimed.

(56) **References Cited**

**U.S. PATENT DOCUMENTS**

D334,192 S	*	3/1993	Lizars	.....	D14/211
D425,897 S	*	5/2000	Cho	.....	D14/214
D477,307 S	*	7/2003	Tierney	.....	D14/214
D503,396 S		3/2005	Hisatsune		
D511,339 S	*	11/2005	Tsuge	.....	D14/214

**1 Claim, 7 Drawing Sheets**



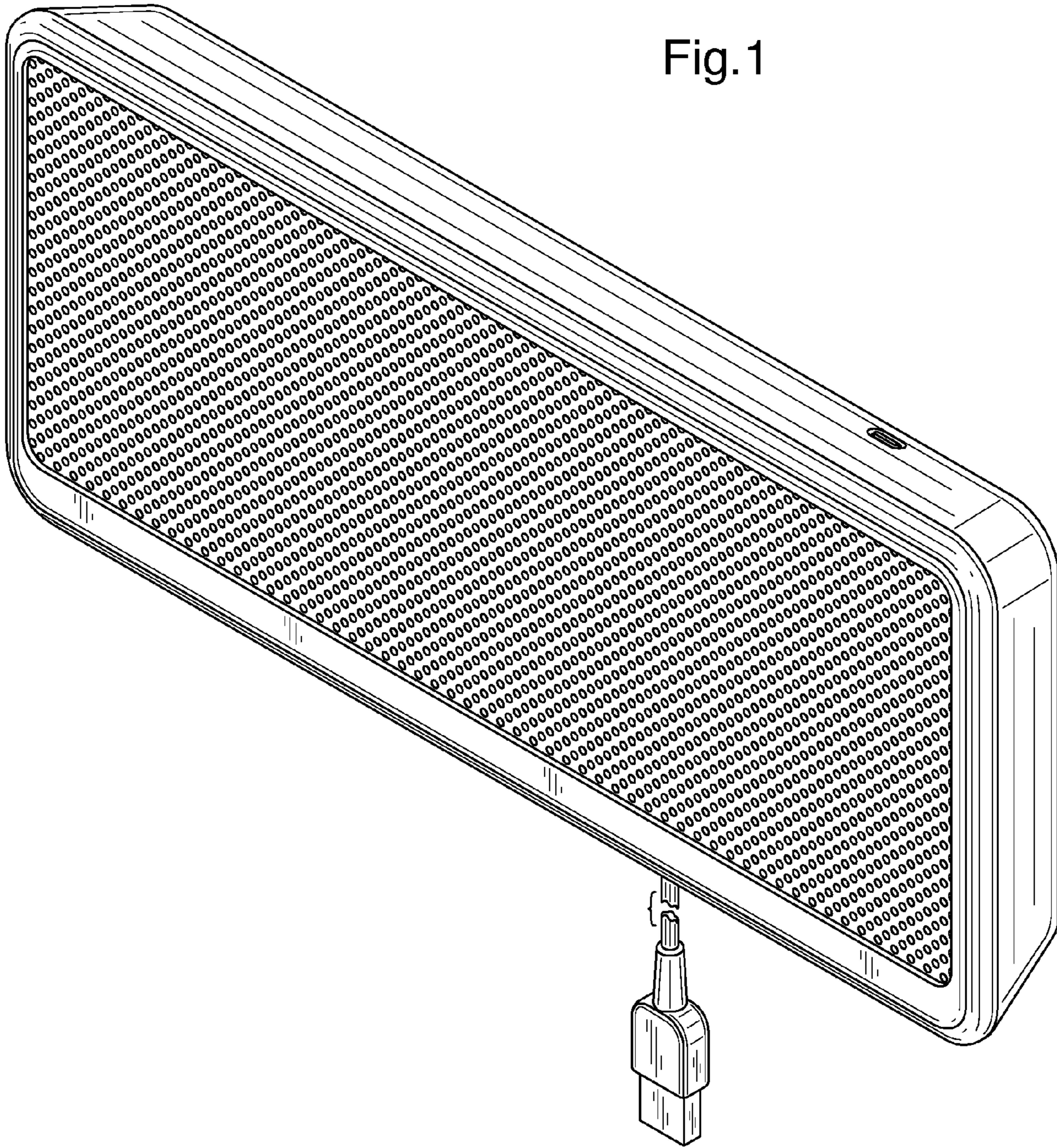
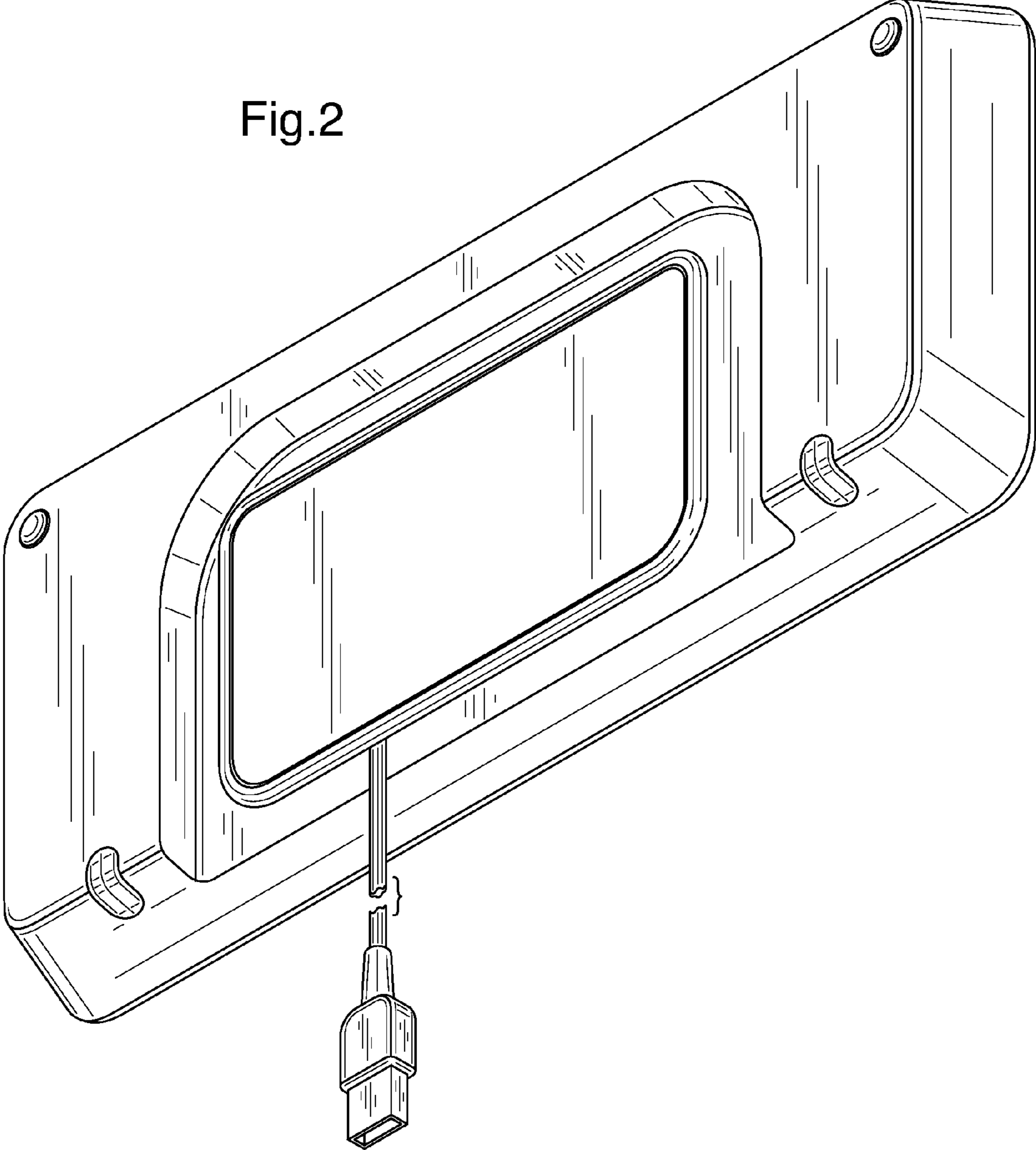


Fig.2



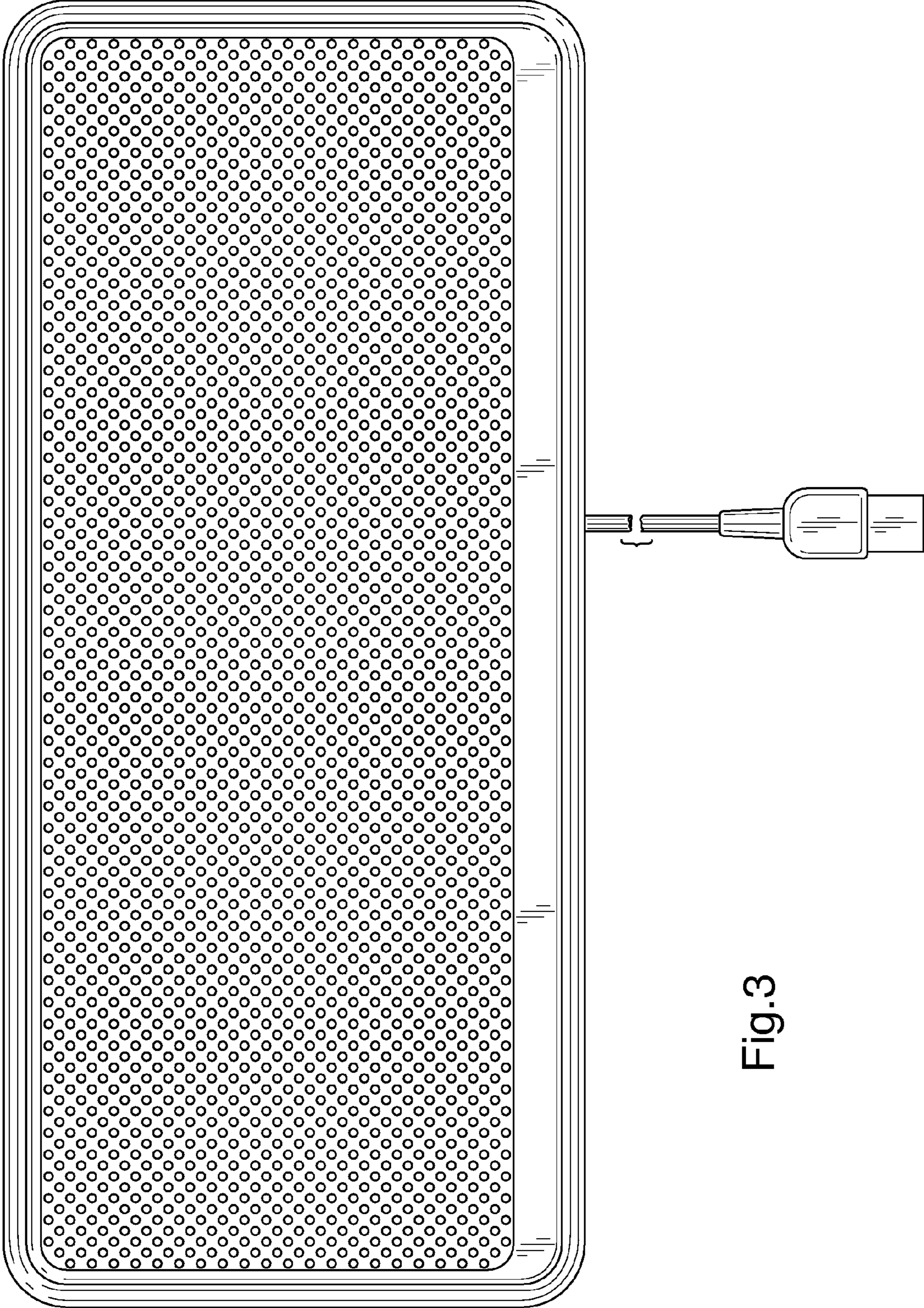


Fig.3

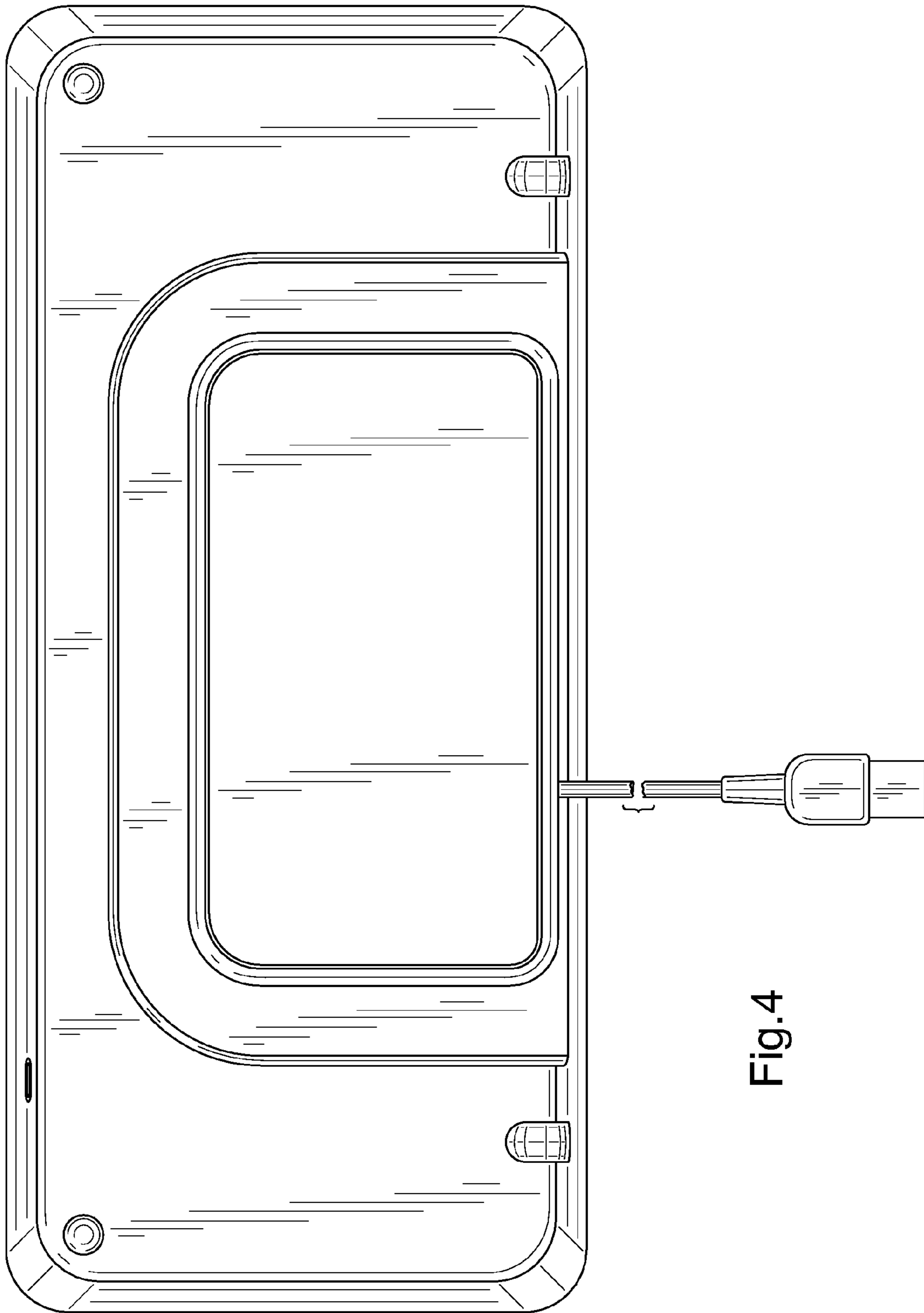


Fig.4

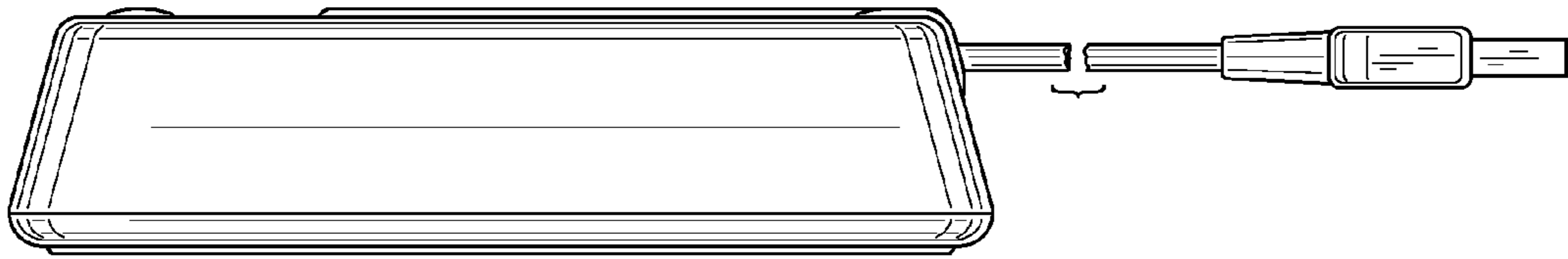


Fig. 5

Fig.6

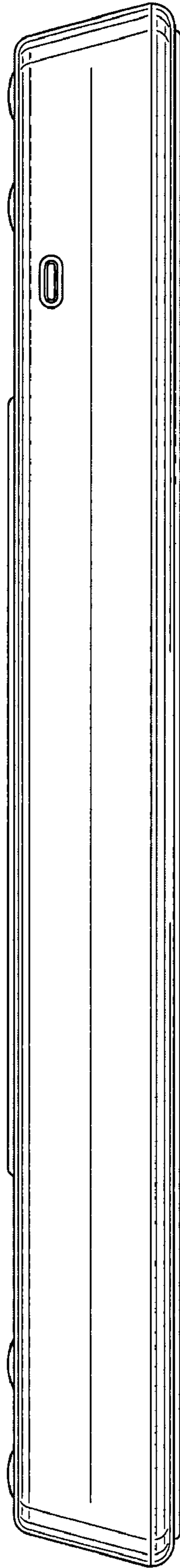


Fig.7

