

US00D571353S

(12) **United States Design Patent**  
**Fukutake**

(10) **Patent No.:** **US D571,353 S**

(45) **Date of Patent:** **\*\* Jun. 17, 2008**

(54) **RADIO COMMUNICATION DEVICE**

(75) Inventor: **Toru Fukutake**, Osaka (JP)

(73) Assignee: **Icom Incorporated**, Osaka (JP)

(\*\*) Term: **14 Years**

(21) Appl. No.: **29/274,628**

(22) Filed: **May 10, 2007**

(30) **Foreign Application Priority Data**

Mar. 7, 2007 (JP) ..... 2007-005954

(51) **LOC (8) Cl.** ..... **14-03**

(52) **U.S. Cl.** ..... **D14/198; D14/188**

(58) **Field of Classification Search** ..... D14/137,  
D14/155, 168, 169, 188, 192-198, 204, 217,  
D14/257, 258, 265, 496; 455/344-351; 369/6-12  
See application file for complete search history.

(56) **References Cited**

**U.S. PATENT DOCUMENTS**

- D253,889 S \* 1/1980 Taguchi et al. .... D14/192
- D254,373 S \* 3/1980 Ohta ..... D14/139
- D298,133 S \* 10/1988 Tokiyama et al. .... D14/157
- D327,262 S \* 6/1992 Goatman ..... D14/137
- D331,406 S \* 12/1992 Goatman ..... D14/137

- D345,354 S \* 3/1994 Ichimura ..... D14/137
- D417,871 S \* 12/1999 Hisatsune ..... D14/188
- D452,225 S \* 12/2001 Becker ..... D14/155

\* cited by examiner

*Primary Examiner*—Stella M. Reid

*Assistant Examiner*—Keli L Acker

(74) *Attorney, Agent, or Firm*—Wenderoth, Lind & Ponack,  
L.L.P.

(57) **CLAIM**

The ornamental design for a radio communication device, as shown and described.

**DESCRIPTION**

FIG. 1 is a perspective view of a radio communication device, embodying my new design;

FIG. 2 is a bottom plan view thereof;

FIG. 3 is an enlarged front elevational view thereof;

FIG. 4 is a rear elevational view thereof;

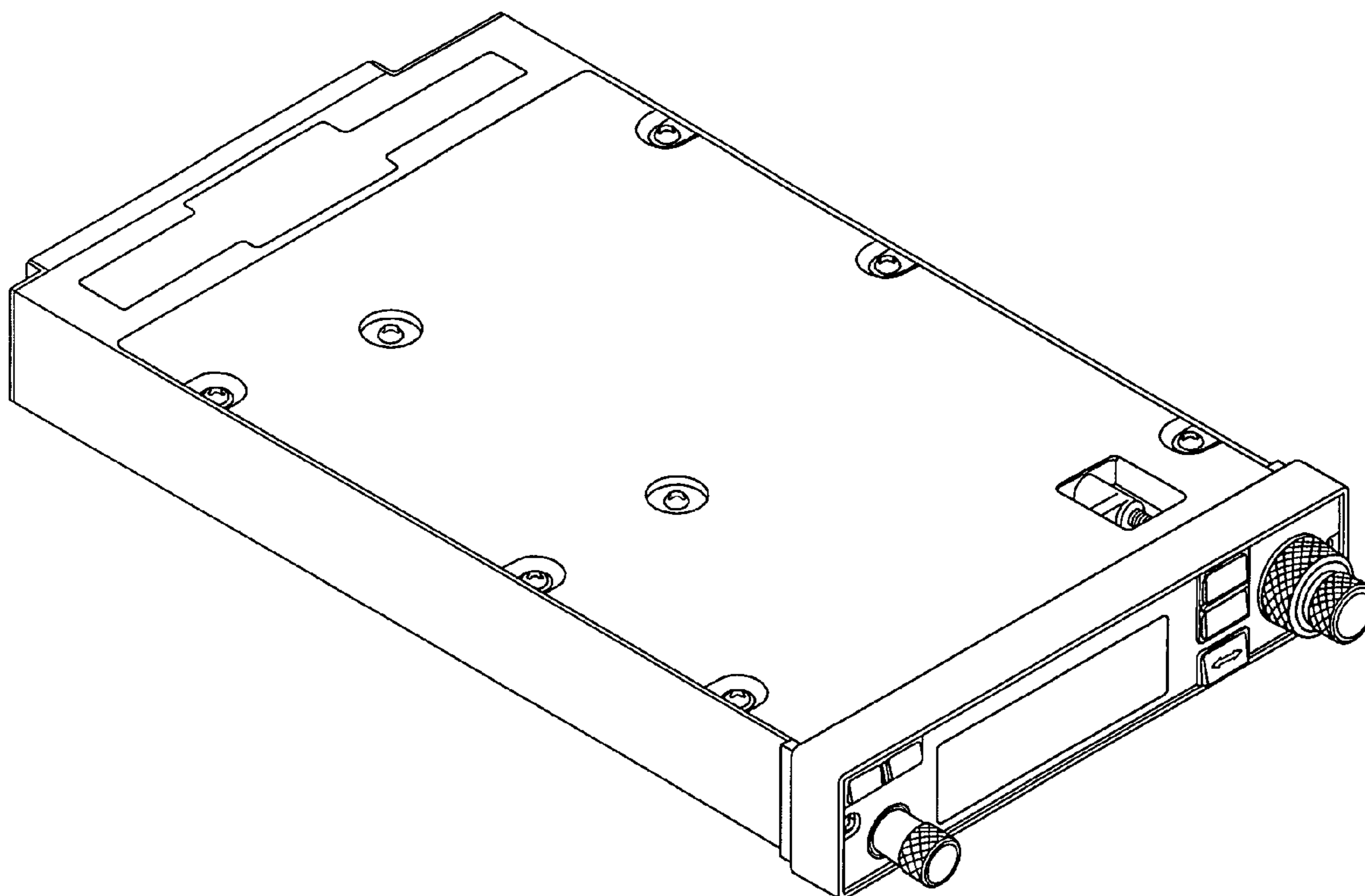
FIG. 5 is a right side elevational view thereof;

FIG. 6 is a top plan view thereof;

FIG. 7 is a front elevational view thereof; and,

FIG. 8 is a left side elevational view thereof.

**1 Claim, 8 Drawing Sheets**



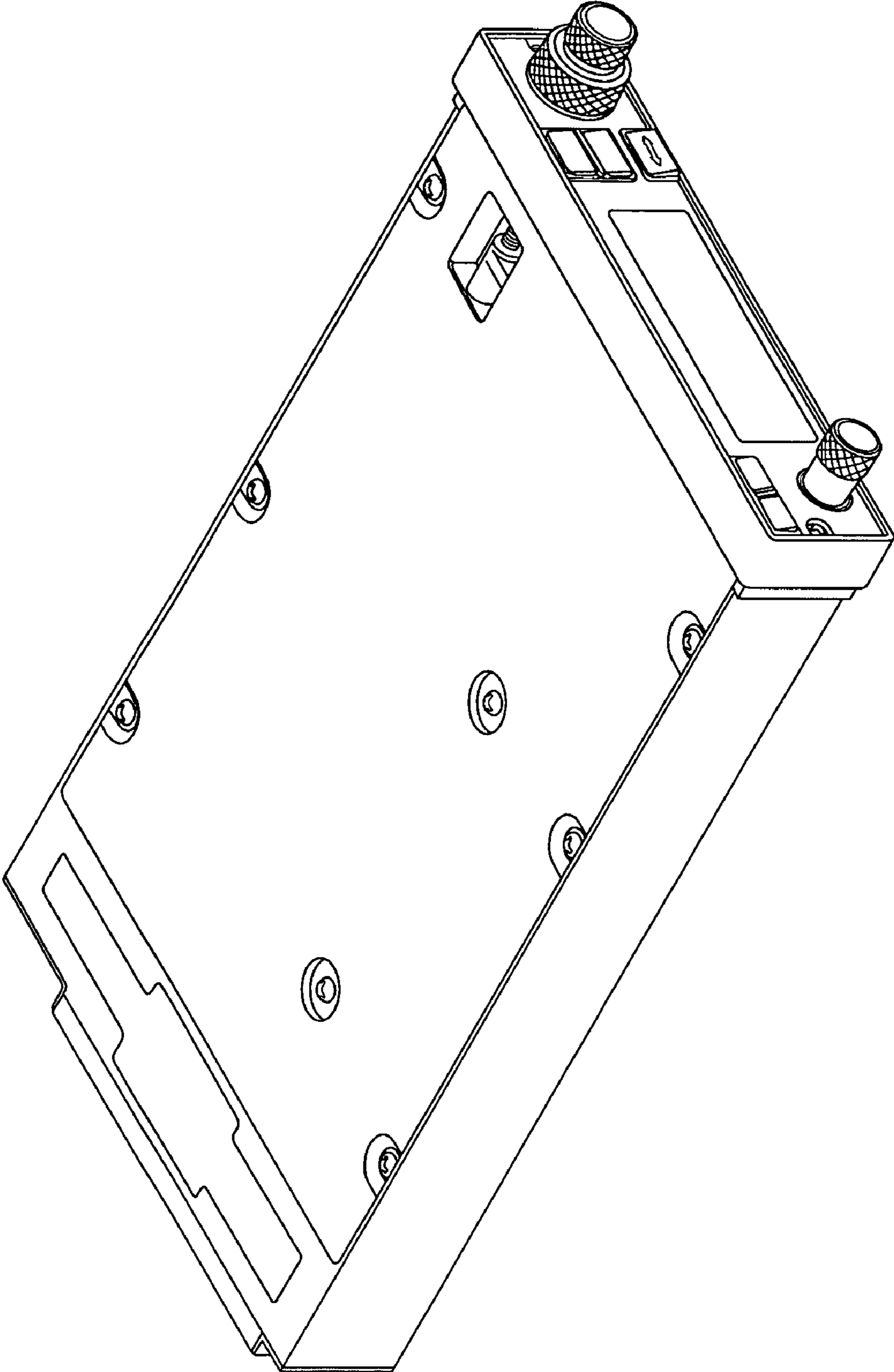


FIG. 1

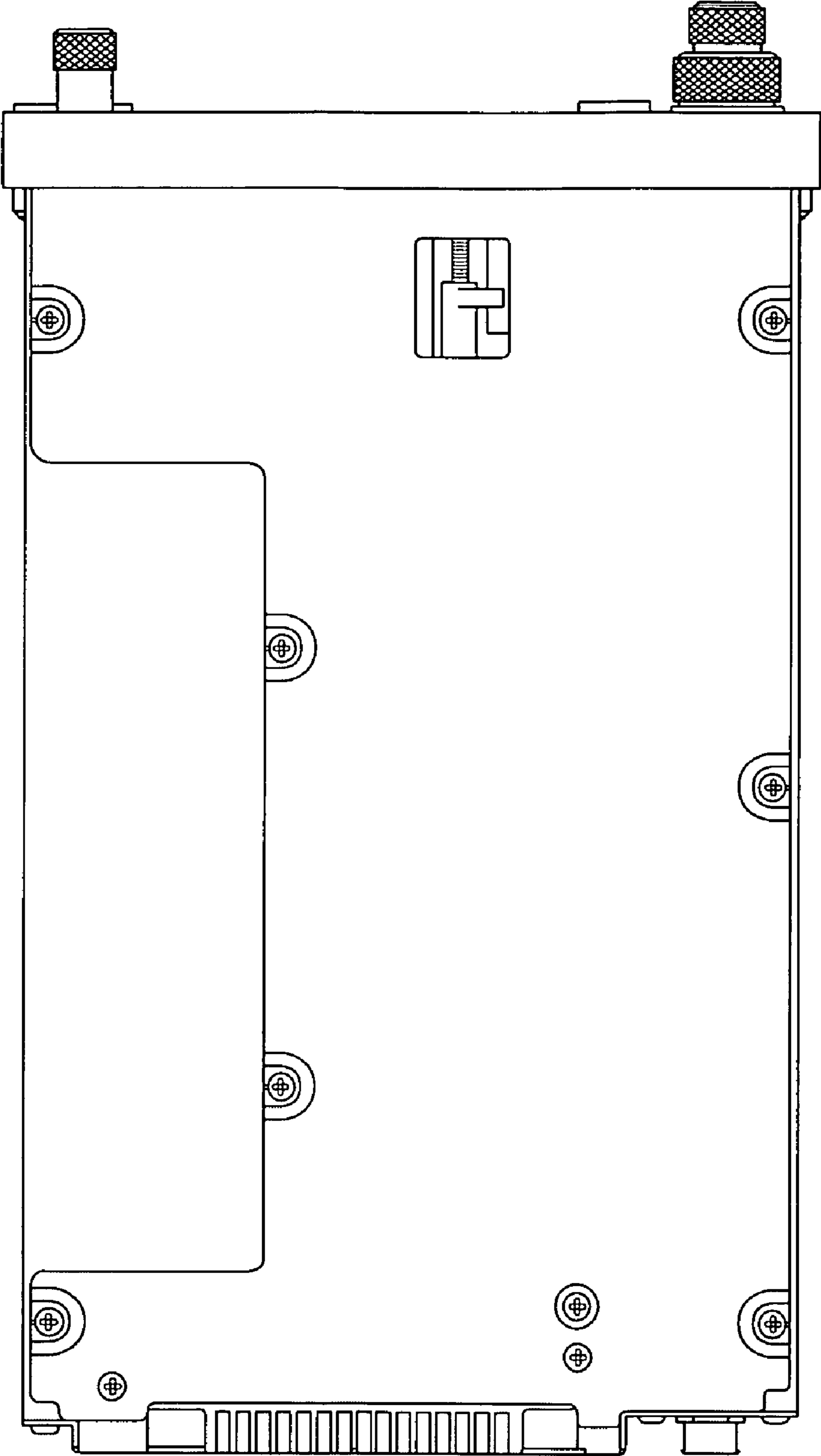


FIG. 2

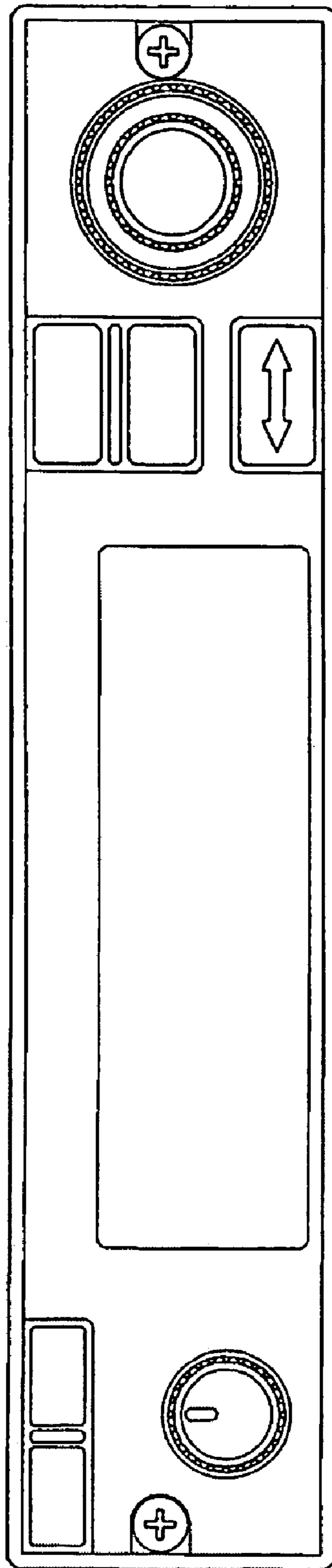


FIG. 3

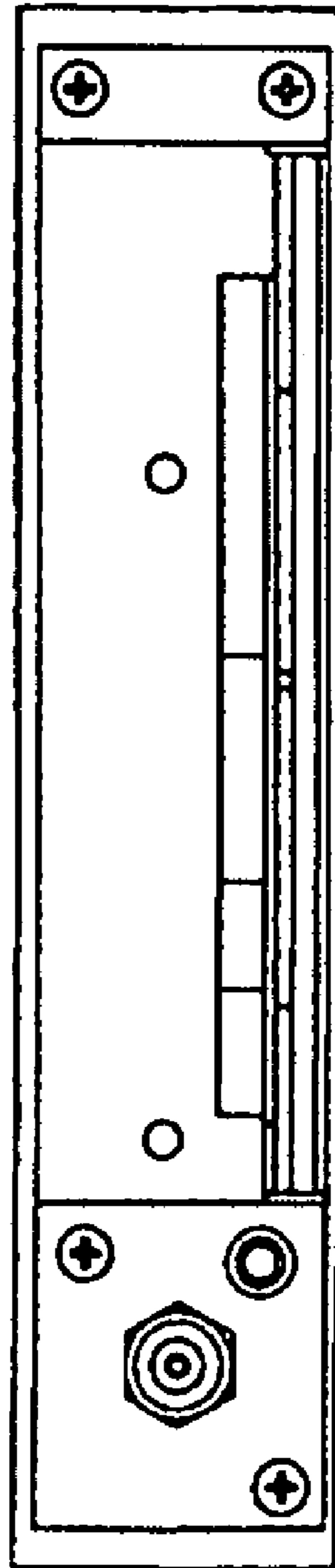


FIG. 4



FIG. 5

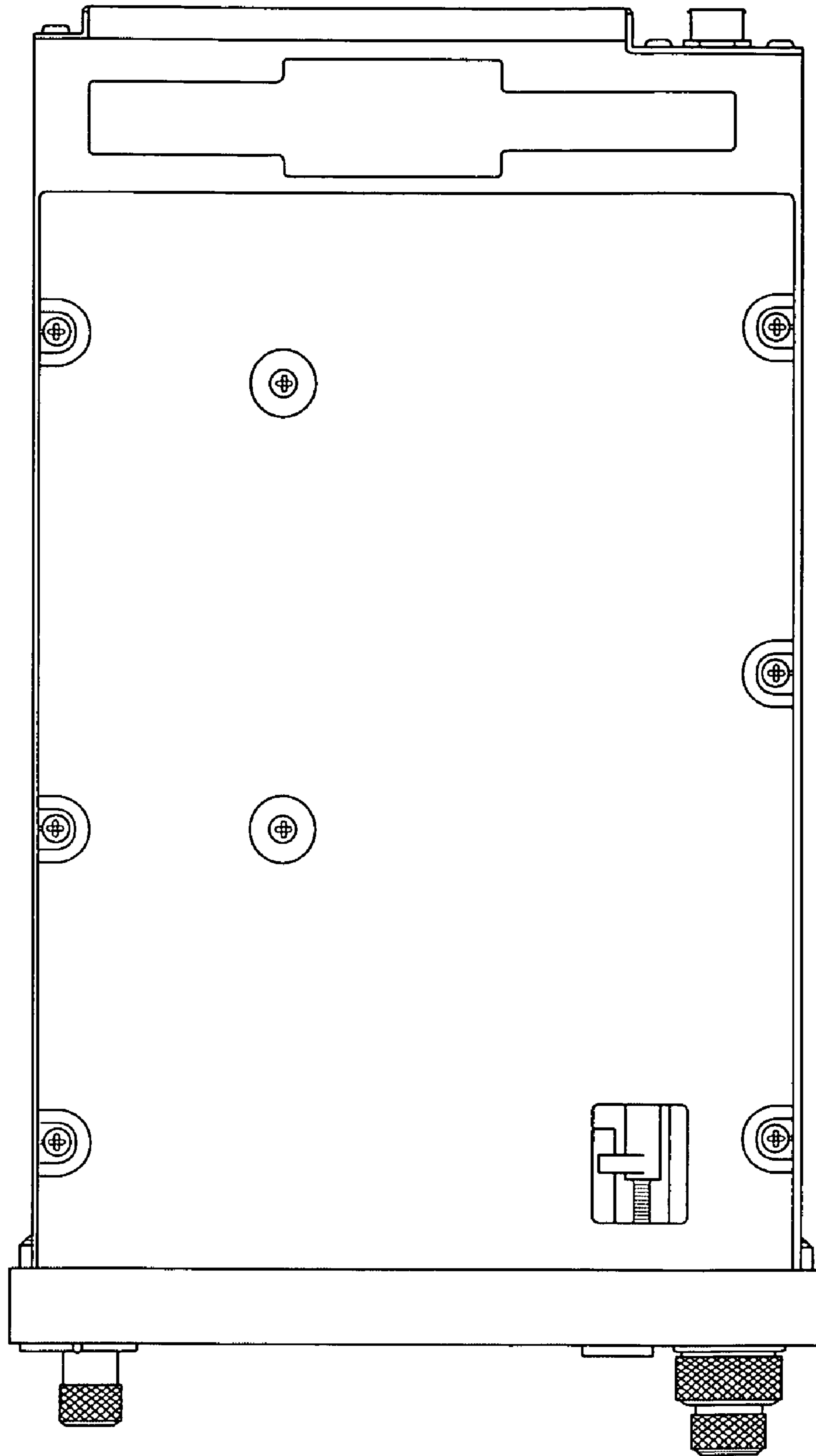


FIG. 6

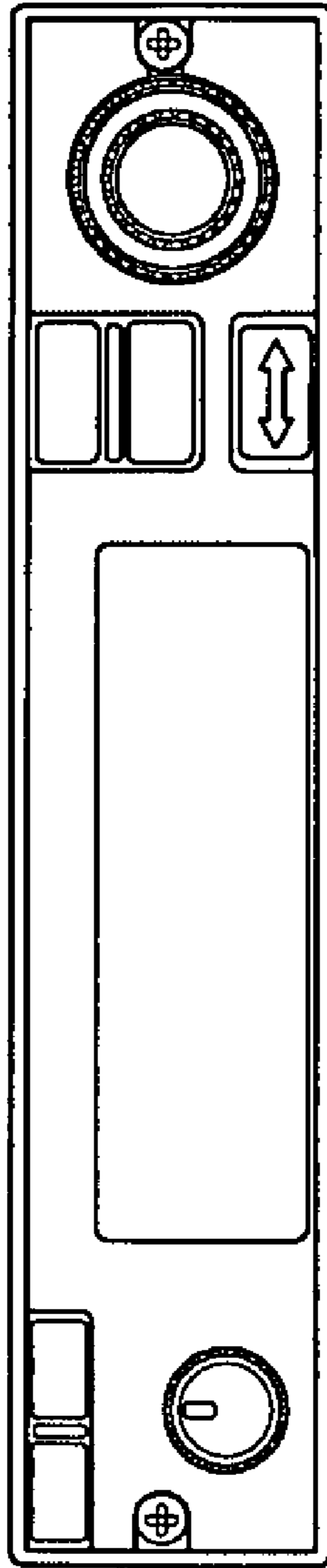


FIG. 7



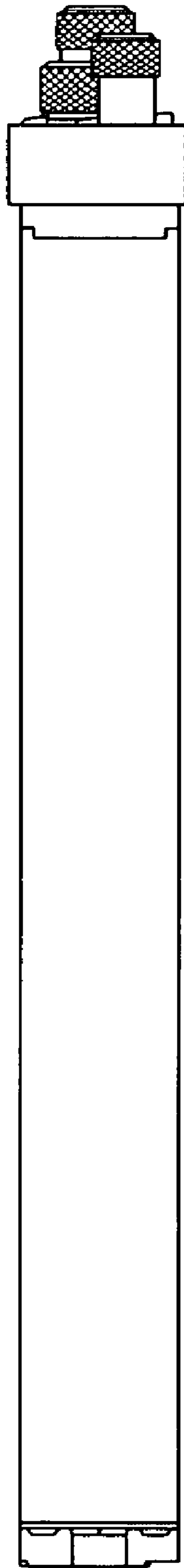


FIG. 8