



US00D571351S

(12) **United States Design Patent**  
**Sogabe**

(10) **Patent No.:** **US D571,351 S**  
(45) **Date of Patent:** **\*\* Jun. 17, 2008**

(54) **COMBINED DISC PLAYER AND AMPLIFIER**

(75) Inventor: **Takashi Sogabe**, Tokyo (JP)

(73) Assignee: **Sony Corporation**, Tokyo (JP)

(\*\*) Term: **14 Years**

(21) Appl. No.: **29/274,075**

(22) Filed: **Mar. 27, 2007**

(30) **Foreign Application Priority Data**

Sep. 29, 2006 (JP) ..... D2006-026329

(51) **LOC (8) Cl.** ..... **14-01**

(52) **U.S. Cl.** ..... **D14/168; D14/136; D14/188**

(58) **Field of Classification Search** ..... D14/125,  
D14/135-136, 156-157, 167-168, 170-172,  
D14/188-198, 217, 257-258, 445, 496; 360/99.02,  
360/99.07; 369/75.11, 75.12, 77.11, 77.12;  
720/612, 619, 647, 655; 455/344, 347-351  
See application file for complete search history.

(56) **References Cited**

**U.S. PATENT DOCUMENTS**

D323,162 S \* 1/1992 Nagata ..... D14/135  
D390,220 S \* 2/1998 Matsuoka ..... D14/136  
D407,393 S \* 3/1999 Kazama ..... D14/125  
D409,192 S 5/1999 Miyazaki

D409,609 S \* 5/1999 Goto ..... D14/156  
D433,410 S 11/2000 Matsuzaka  
D481,021 S \* 10/2003 Hayashi et al. .... D14/125  
D531,971 S \* 11/2006 Shiraki et al. .... D14/136  
D533,177 S 12/2006 Andre et al.  
D535,280 S \* 1/2007 Ohno ..... D14/156

\* cited by examiner

*Primary Examiner*—Nanda Bondade

(74) *Attorney, Agent, or Firm*—Rader, Fishman, Grauer,  
PLLC

(57) **CLAIM**

The ornamental design for a combined disc player and  
amplifier, as shown.

**DESCRIPTION**

FIG. 1 is a perspective view of a combined disc player and  
amplifier showing my new design;

FIG. 2 is a front elevational view thereof;

FIG. 3 is a rear elevational view thereof;

FIG. 4 is a left side elevational view thereof;

FIG. 5 is a right side elevational view thereof;

FIG. 6 is a top plan view thereof; and,

FIG. 7 is a bottom plan view thereof.

**1 Claim, 7 Drawing Sheets**

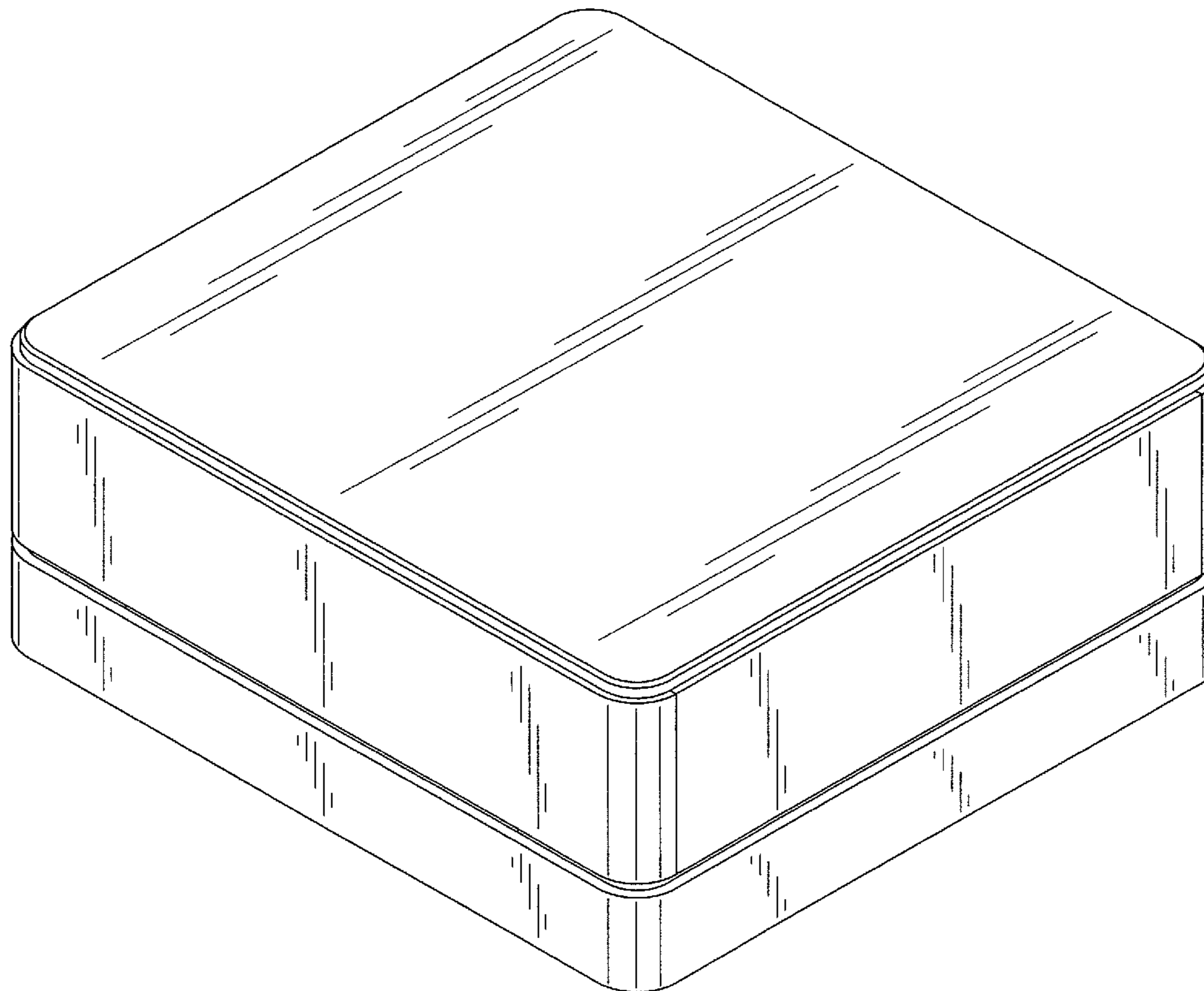


Fig.1

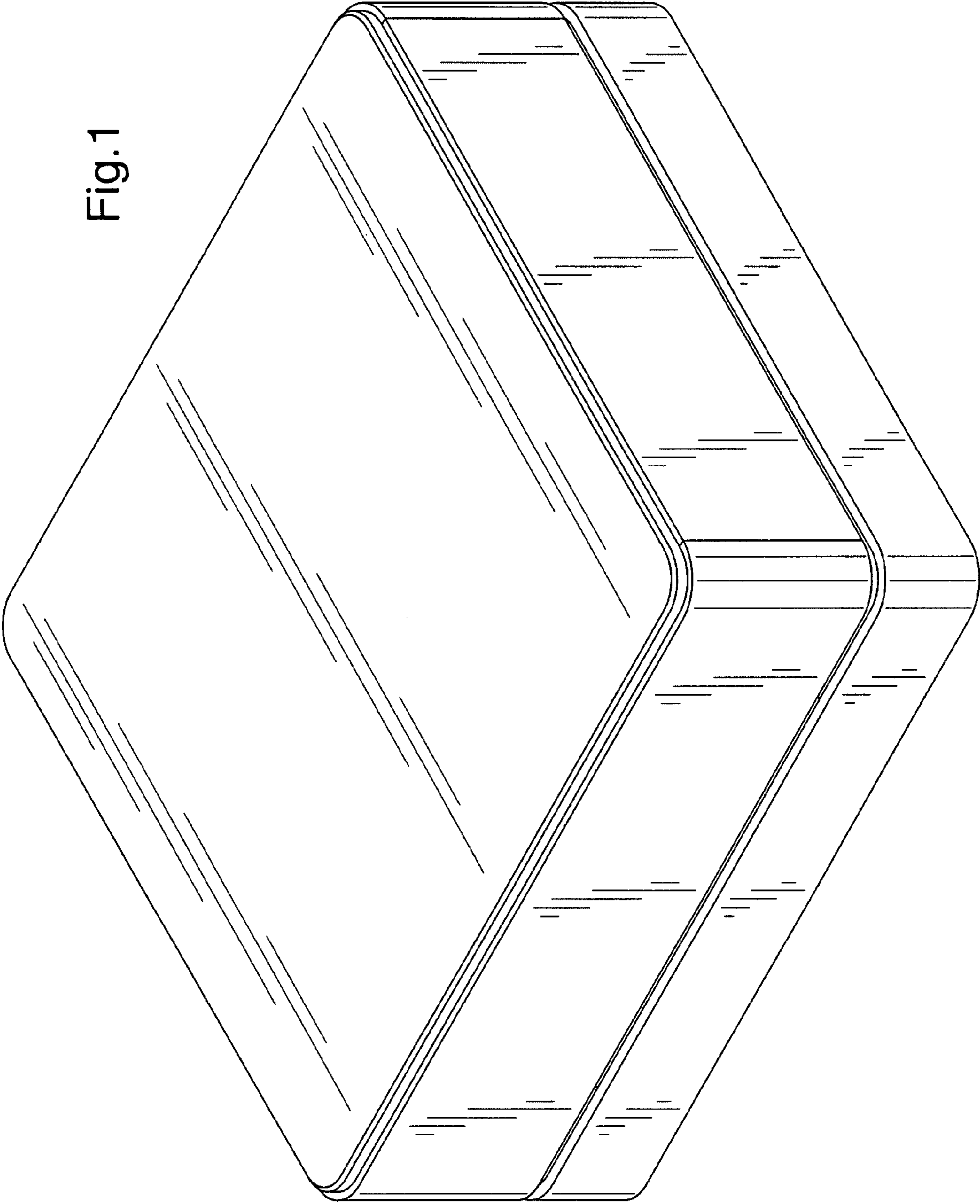


Fig.2

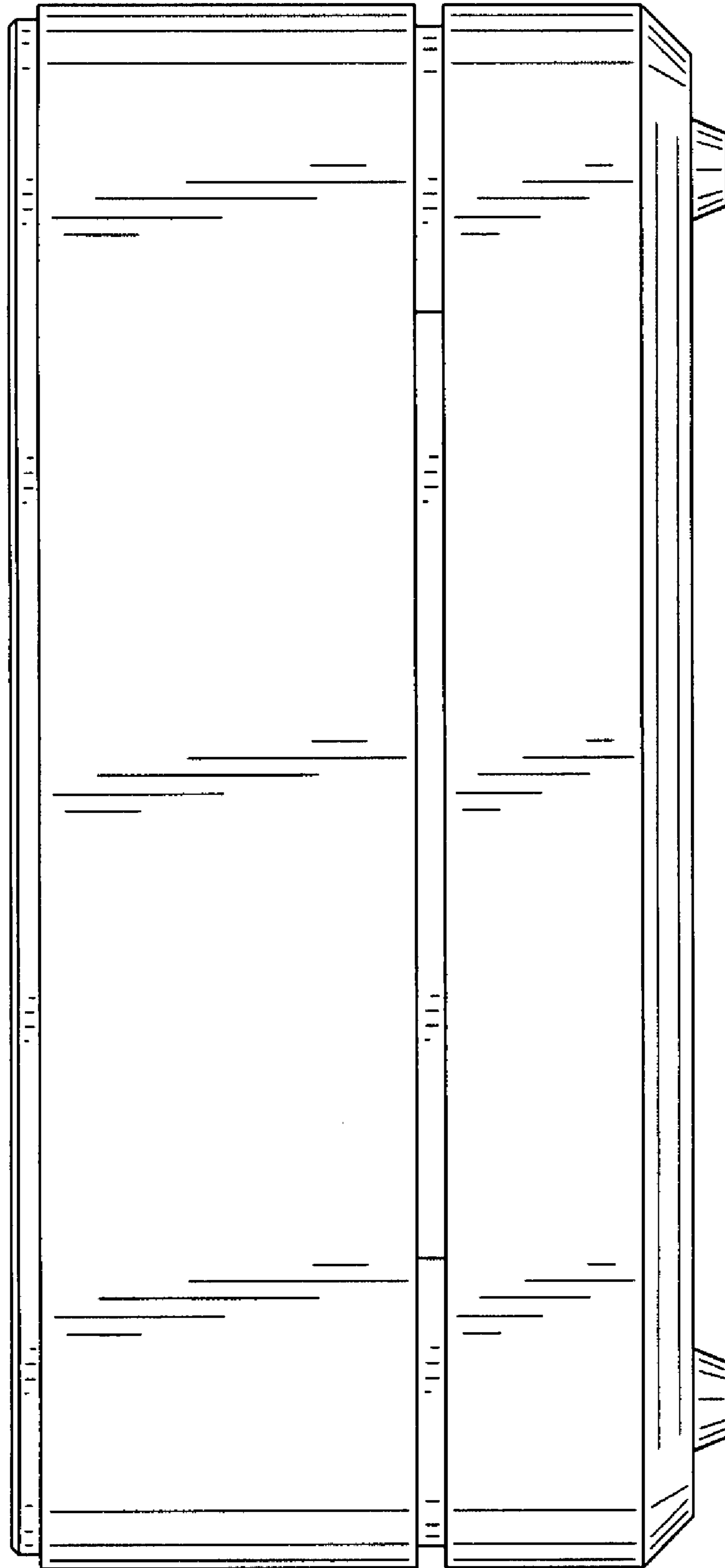


Fig. 3

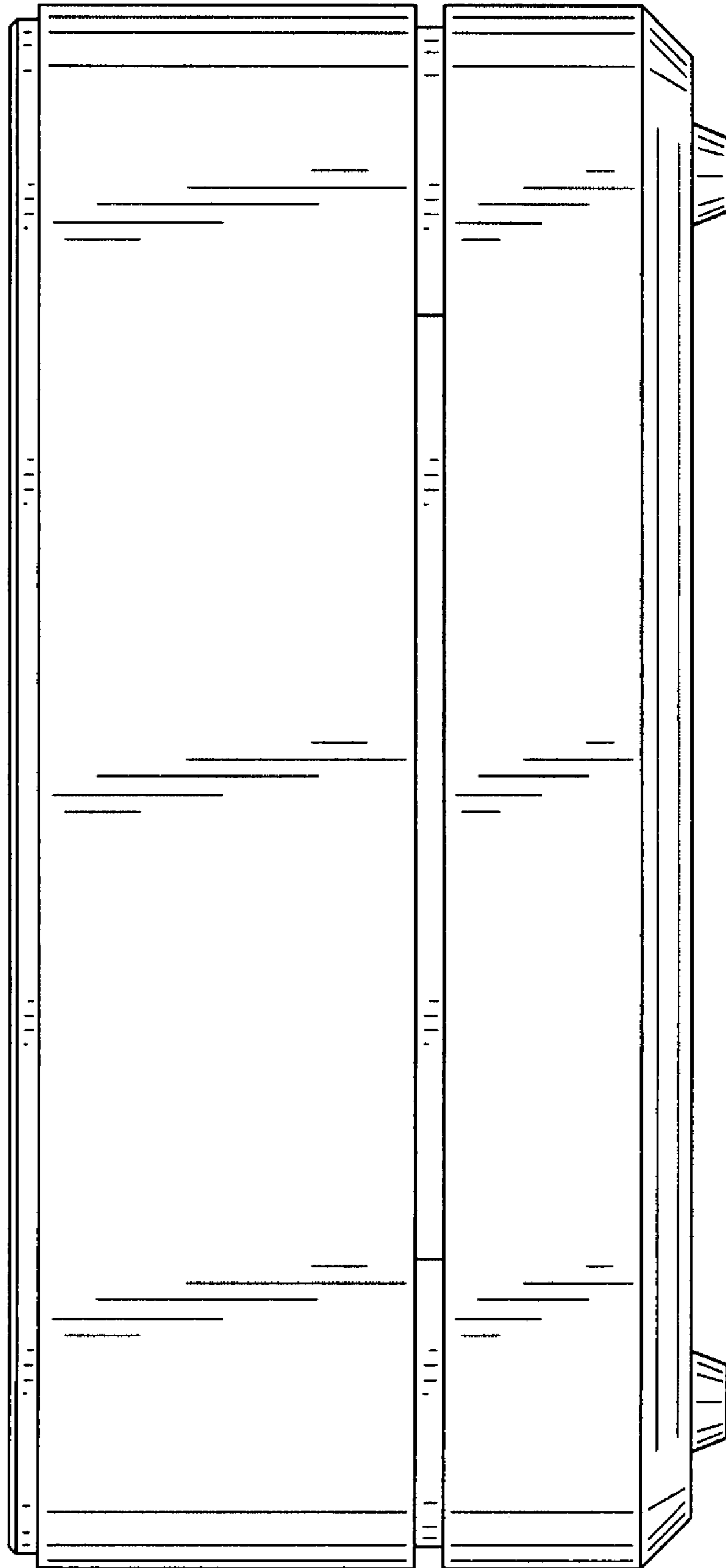


Fig.4

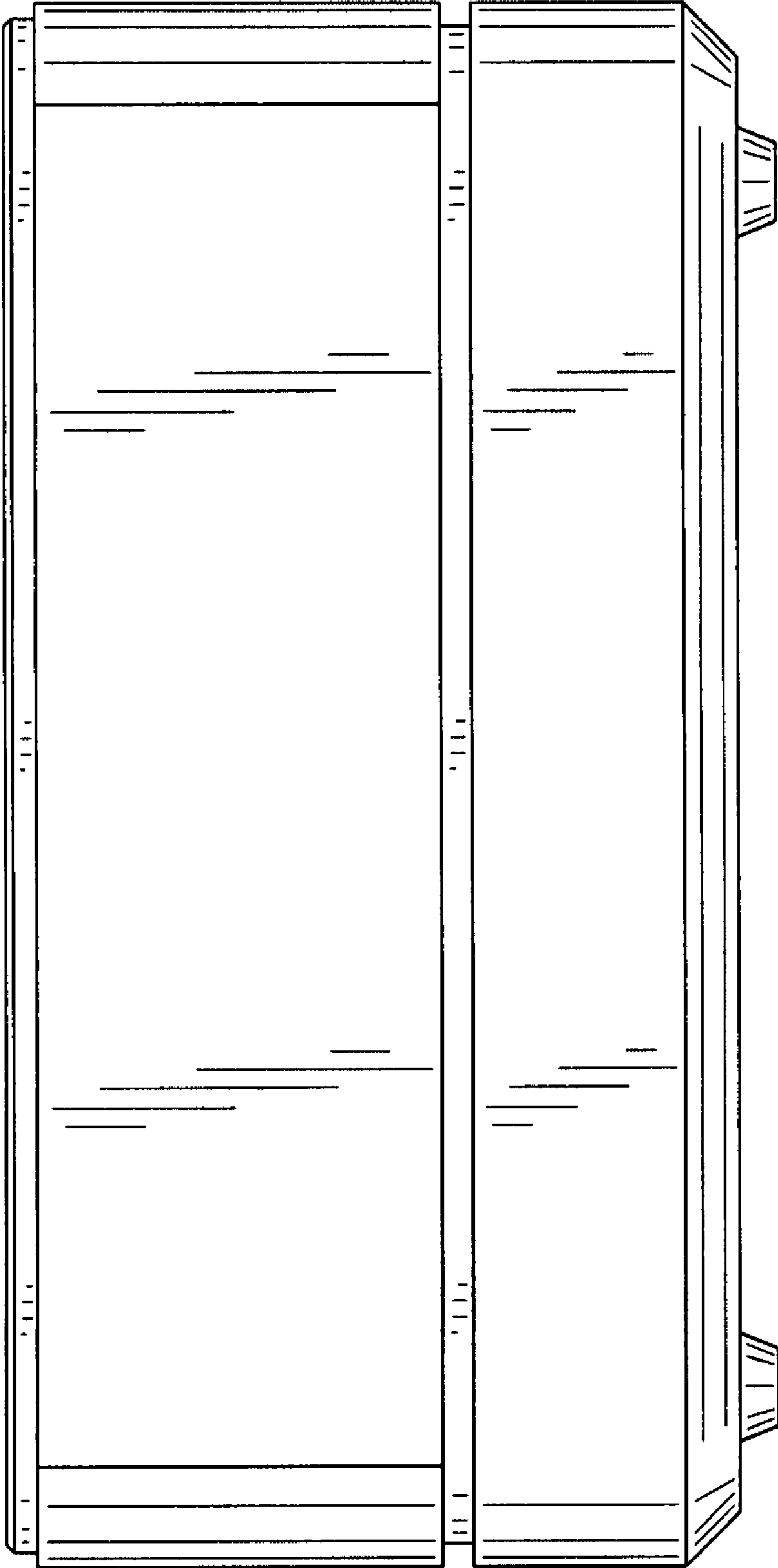


Fig.5

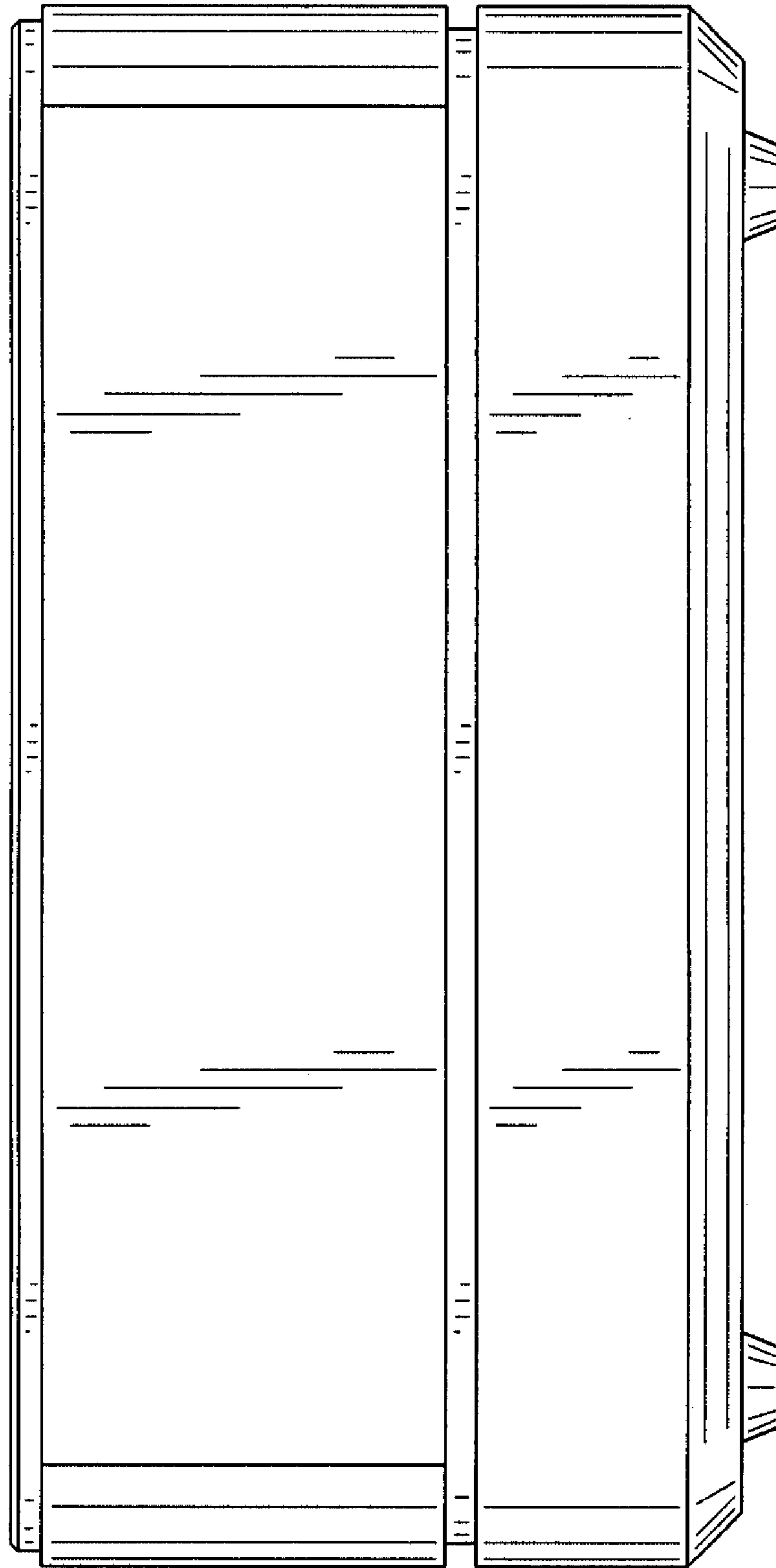


Fig.6

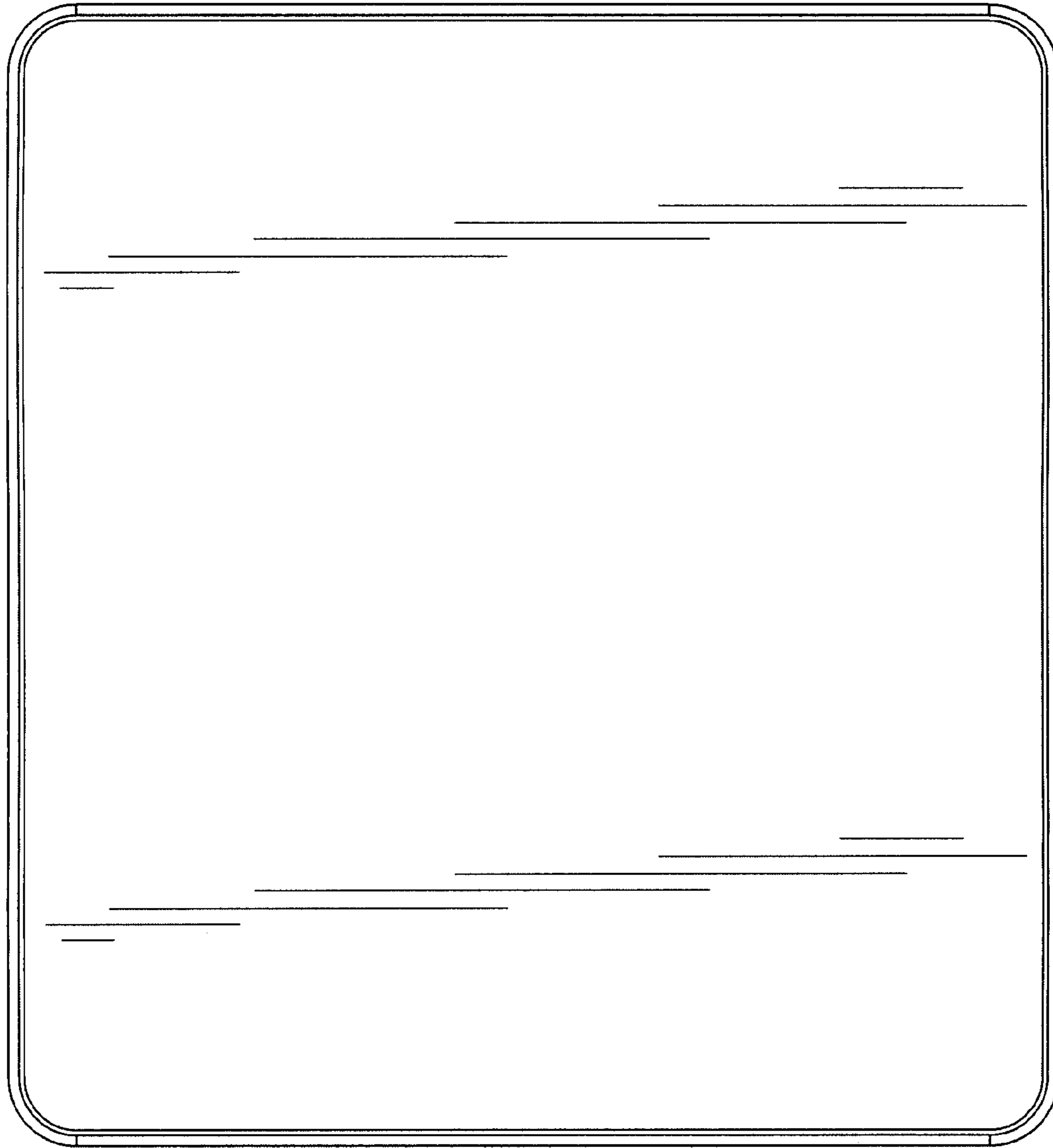


Fig.7

