

US00D571350S

(12) **United States Design Patent** (10) **Patent No.:** **US D571,350 S**  
**Iwamoto et al.** (45) **Date of Patent:** **\*\* Jun. 17, 2008**

(54) **DIGITAL AUDIO PLAYER WITH TUNER FOR VEHICLE**

(75) Inventors: **Taro Iwamoto**, Tokyo (JP); **Hideki Endo**, Yokohama (JP)

(73) Assignee: **Alpine Electronics, Inc.**, Tokyo (JP)

(\*\*) Term: **14 Years**

(21) Appl. No.: **29/288,623**

(22) Filed: **Jun. 15, 2007**

(30) **Foreign Application Priority Data**

Dec. 15, 2006 (JP) ..... 2006-034404

(51) **LOC (8) Cl.** ..... **14-01**

(52) **U.S. Cl.** ..... **D14/157**

(58) **Field of Classification Search** ..... D14/135-136,  
D14/156-157, 167-168, 198, 188, 257, 258,  
D14/445; 360/99.02, 99.07; 369/75.11,  
369/75.21, 77.21, 77.11; 720/612, 619, 647,  
720/655; 455/344, 347-351

See application file for complete search history.

(56) **References Cited**

**U.S. PATENT DOCUMENTS**

5,848,042 A \* 12/1998 Takahashi et al. .... 720/647  
D495,678 S \* 9/2004 Uehara ..... D14/168  
D534,887 S 1/2007 Endo et al.  
D537,055 S 2/2007 Endo et al.  
D537,056 S 2/2007 Endo et al.  
D538,255 S \* 3/2007 Matsuoka ..... D14/156

**OTHER PUBLICATIONS**

U.S. Appl. No. 29/261,819, filed Jun. 20, 2006, Tony Aguilar, et al.  
U.S. Appl. No. 29/261,898, filed Jun. 21, 2006, Tony Aguilar, et al.  
U.S. Appl. No. 29/288,551, filed Jun. 14, 2007, Hideki Endo, et al.  
U.S. Appl. No. 29/288,554, filed Jun. 14, 2007, Hideki Endo, et al.

\* cited by examiner

*Primary Examiner*—Nanda Bondade

(74) *Attorney, Agent, or Firm*—Brinks Hofer Gilson Lione

(57) **CLAIM**

The ornamental design for a digital audio player with tuner for vehicle, as shown and described.

**DESCRIPTION**

FIG. 1 is a perspective view of a digital audio player with tuner for vehicle, showing our new, original and ornamental design;

FIG. 2 is a front elevational view thereof;

FIG. 3 is a rear elevational view thereof;

FIG. 4 is a right side elevational view thereof;

FIG. 5 is a left side elevational view thereof;

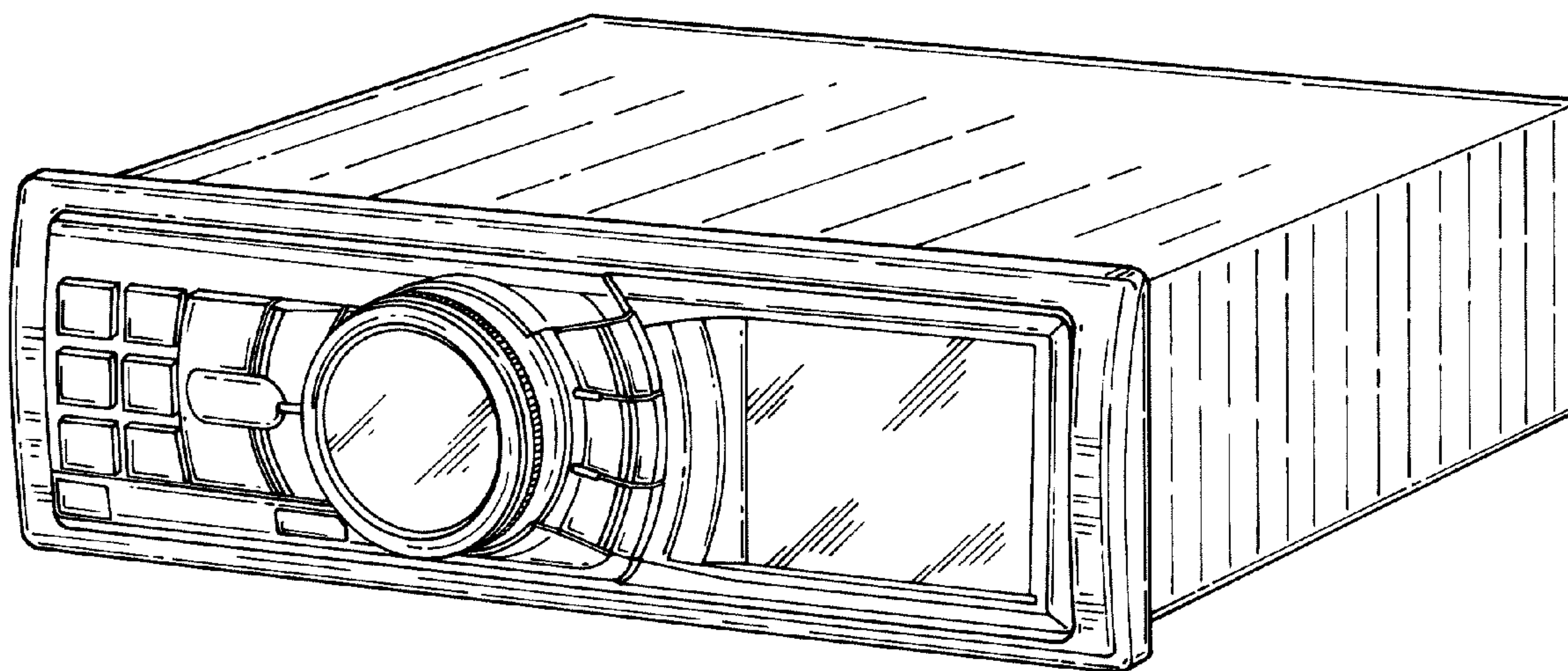
FIG. 6 is a top plan view thereof;

FIG. 7 is a bottom plan view thereof; and,

FIG. 8 is an exploded perspective view thereof.

The broken line showing on the drawing disclosure is for illustrative purposes only and forms no part of the claimed design.

**1 Claim, 6 Drawing Sheets**



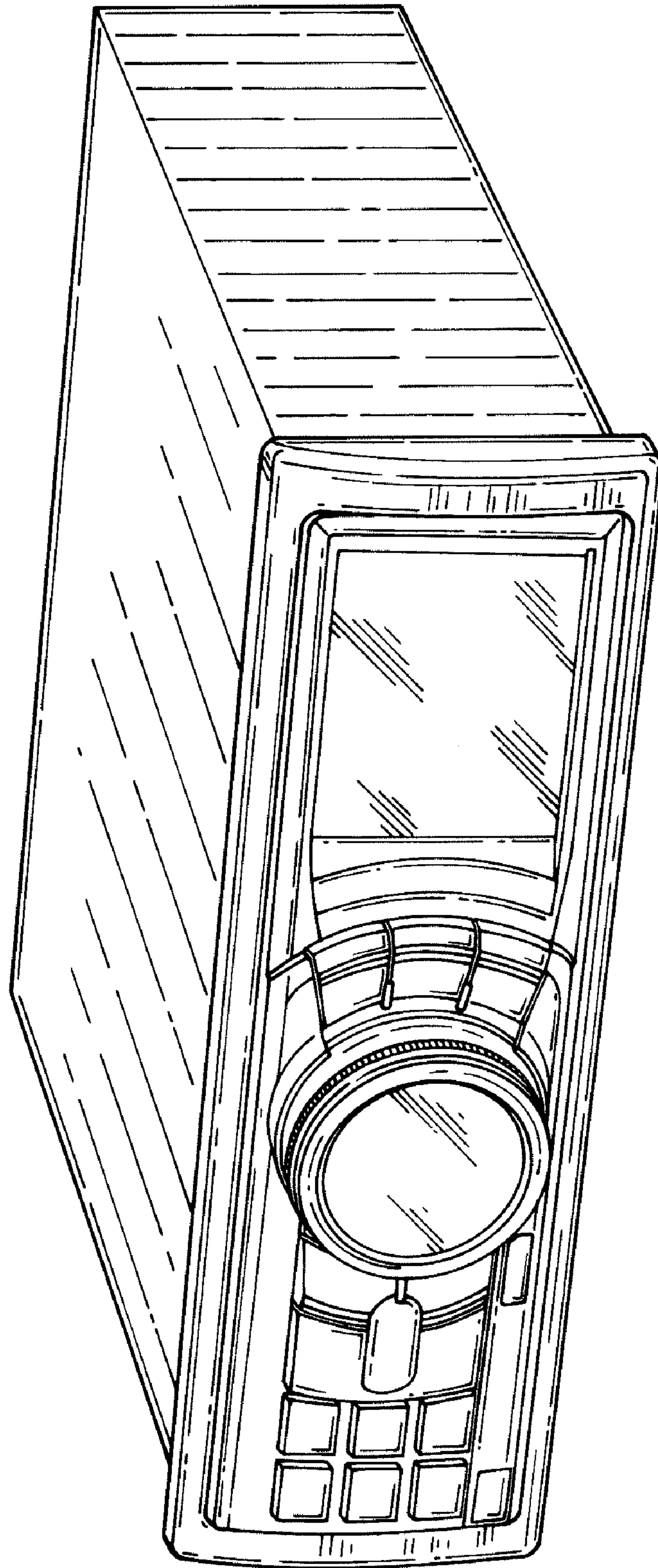


Fig. 1

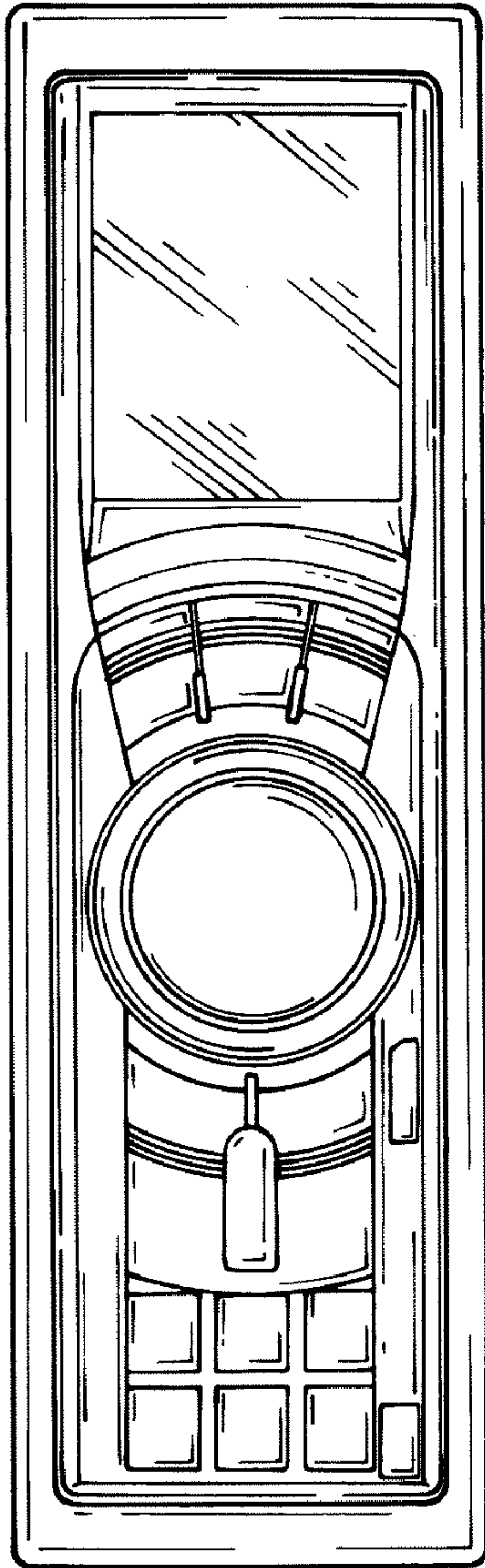


Fig. 2

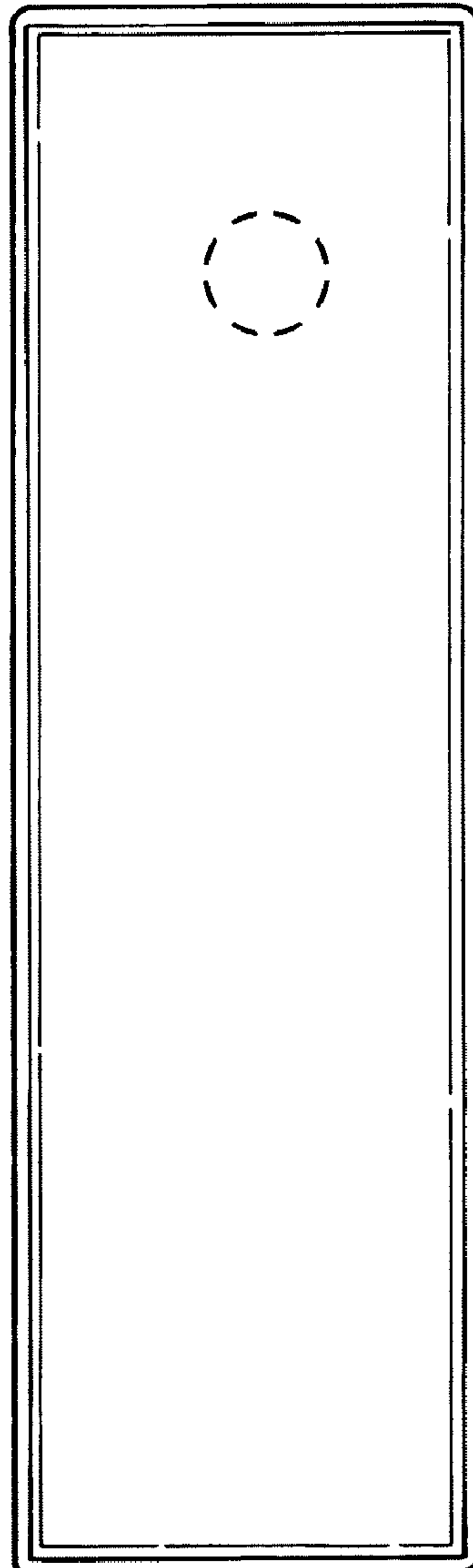


Fig. 3

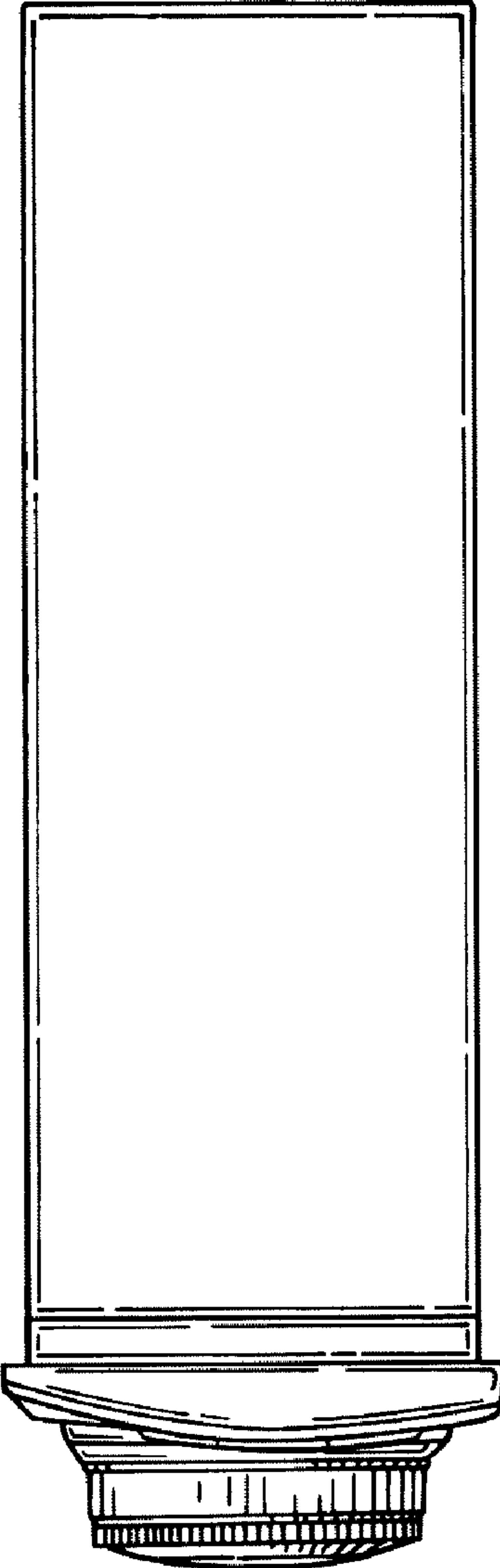


Fig. 4

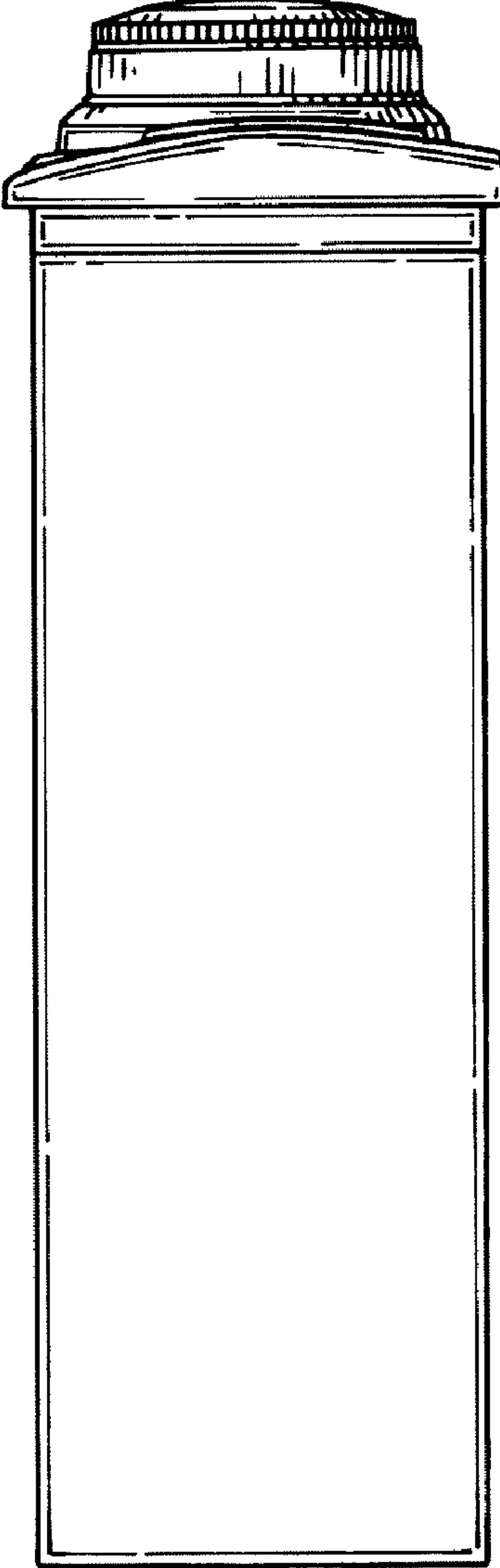


Fig. 5



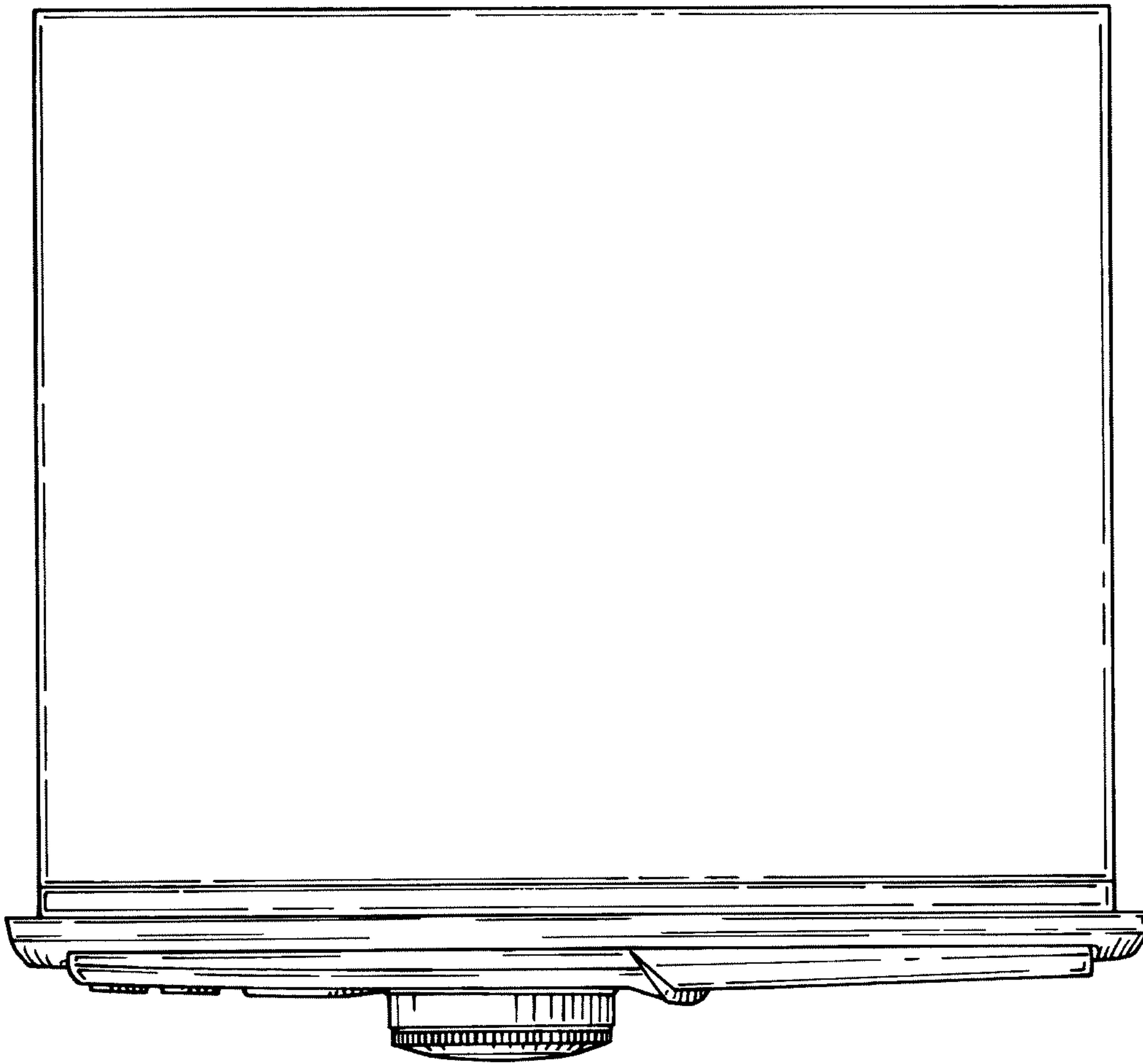


Fig. 6

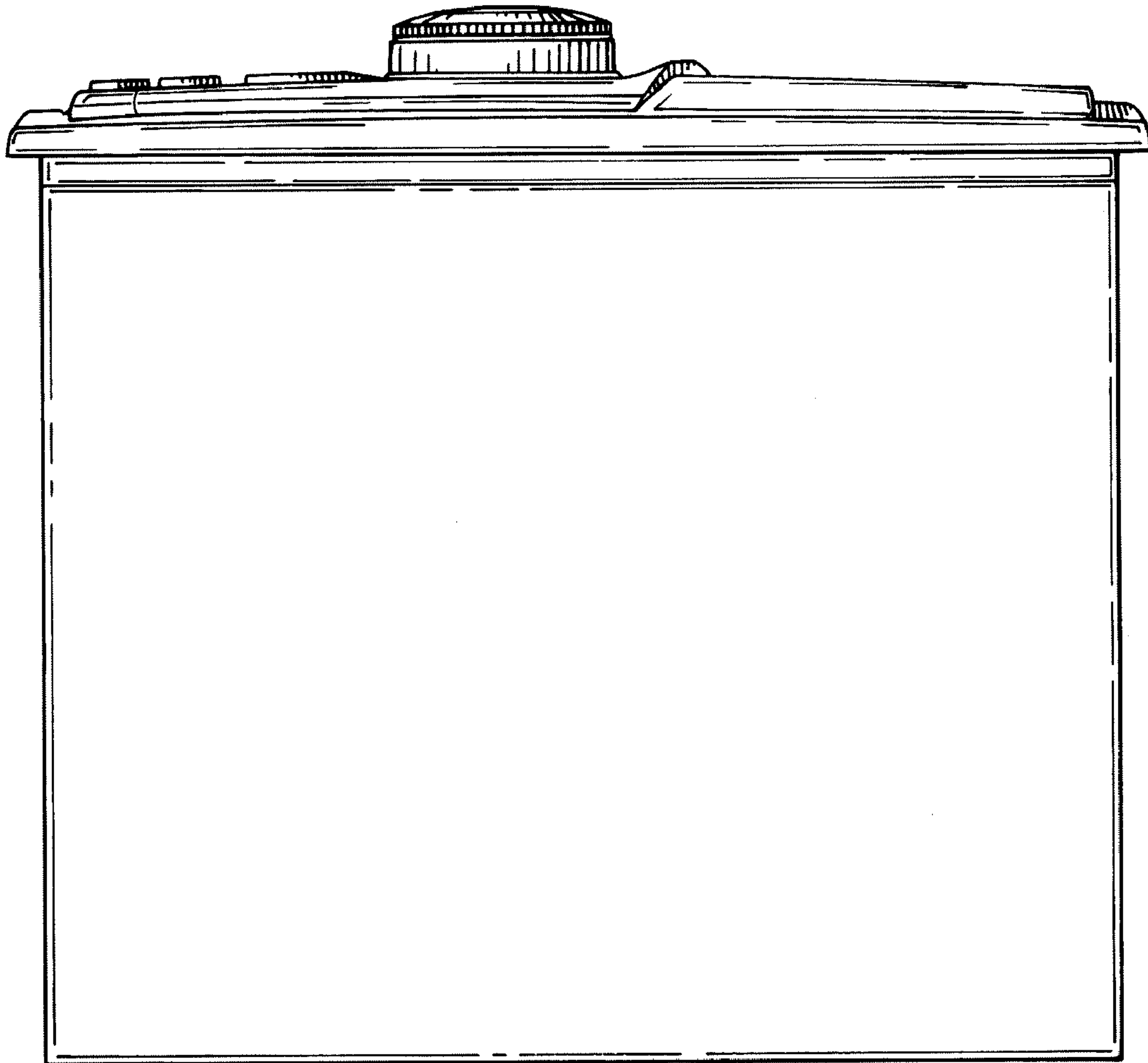


Fig. 7

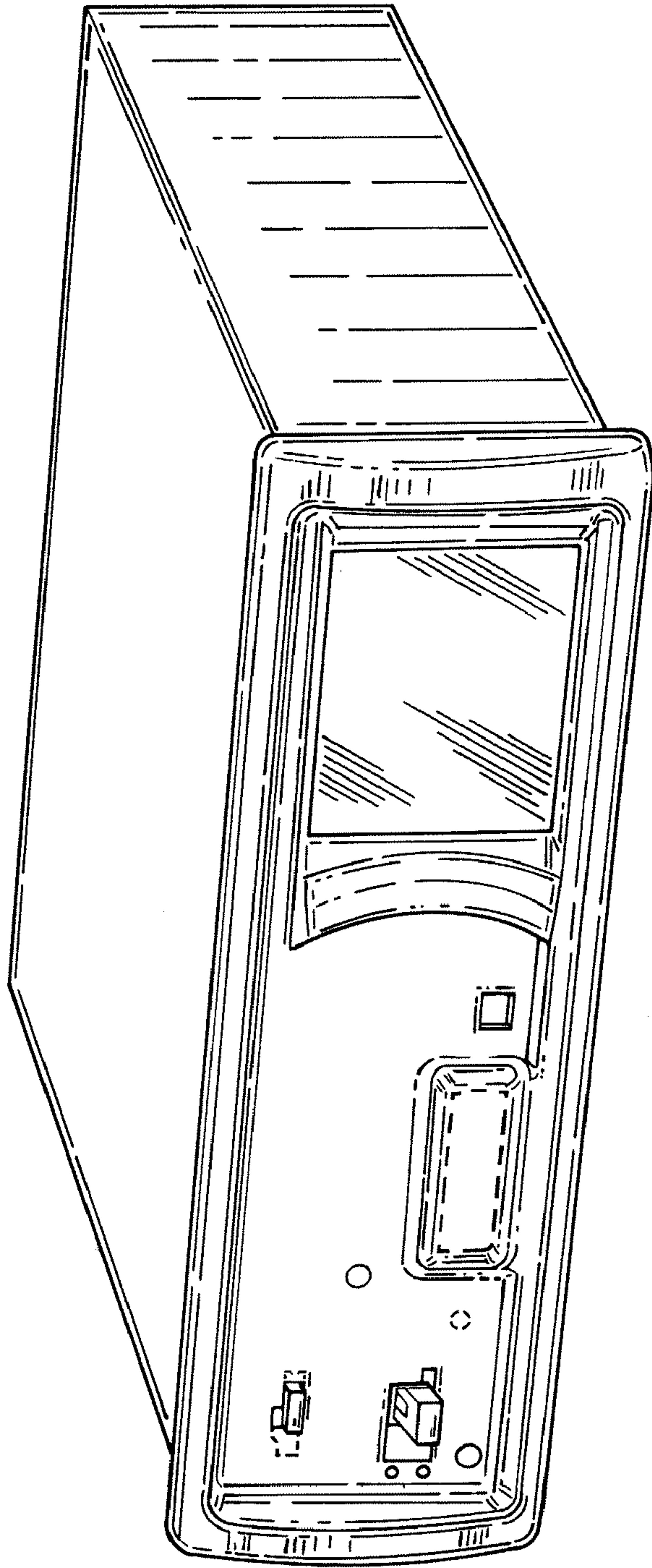


Fig. 8

