

US00D571348S

(12) **United States Design Patent**  
**Uehara et al.**

(10) **Patent No.:** **US D571,348 S**  
(45) **Date of Patent:** **\*\* Jun. 17, 2008**

(54) **DISC PLAYER**

D496,648 S \* 9/2004 Uehara ..... D14/168  
D528,088 S 9/2006 Suzuki

(75) Inventors: **Mitsuhiro Uehara**, Tokyo (JP); **Raku Ishida**, Tokyo (JP); **Takayuki Wada**, Tokyo (JP)

\* cited by examiner

(73) Assignee: **Sony Corporation**, Tokyo (JP)

*Primary Examiner*—Nanda Bondade  
(74) *Attorney, Agent, or Firm*—Rader, Fishman & Grauer, PLLC

(\*\*) Term: **14 Years**

(57) **CLAIM**

(21) Appl. No.: **29/270,622**

The ornamental design for a disc player, as shown and described.

(22) Filed: **Dec. 29, 2006**

(30) **Foreign Application Priority Data**

**DESCRIPTION**

Aug. 3, 2006 (JP) ..... D2006-020453  
Aug. 3, 2006 (JP) ..... D2006-020457  
Aug. 4, 2006 (CN) ..... 2006 3 0122661  
Aug. 4, 2006 (CN) ..... 2006 3 0122662  
Aug. 4, 2006 (CN) ..... 2006 3 0122663  
Aug. 4, 2006 (CN) ..... 2006 3 0122664  
Aug. 4, 2006 (CN) ..... 2006 3 0122665  
Aug. 4, 2006 (CN) ..... 2006 3 0122666

FIG. 1 is a perspective view of a disc player showing our new design;

FIG. 2 is a front elevational view thereof;

FIG. 3 is a left side elevational view thereof;

FIG. 4 is a right side elevational view thereof;

FIG. 5 is a top plan view thereof; and

FIG. 6 is a bottom plan view thereof.

(51) **LOC (8) Cl.** ..... **14-01**

FIG. 7 is a perspective view of another embodiment of a disc player showing our new design;

(52) **U.S. Cl.** ..... **D14/157; D14/258**

FIG. 8 is another perspective view thereof in the open position;

(58) **Field of Classification Search** ..... D14/135–136,  
D14/156–157, 167–168, 257–258, 198, 188,  
D14/217, 445; 360/99.02, 99.07; 369/75.11,  
369/75.21, 77.21, 77.11; 720/612, 619, 647,  
720/655; 455/344, 347–351

FIG. 9 is a front elevational view thereof;

FIG. 10 is a left side elevational view thereof;

FIG. 11 is a right side elevational view thereof;

FIG. 12 is a top plan view thereof; and

FIG. 13 is a bottom plan view thereof; and,

See application file for complete search history.

FIG. 14 is a rear elevational view of the embodiments of FIGS. 1 and 7.

(56) **References Cited**

**U.S. PATENT DOCUMENTS**

D400,529 S \* 11/1998 Kakizaki ..... D14/157  
5,848,042 A \* 12/1998 Takahashi et al. .... 720/647  
D411,996 S 7/1999 Yamazaki  
D437,841 S \* 2/2001 Kakizaki et al. .... D14/157  
D475,691 S \* 6/2003 Nishii et al. .... D14/157  
D483,731 S \* 12/2003 Yoshihara ..... D14/157

The portions indicated in broken lines are for illustrative purposes only and form no part of the claimed design.

**1 Claim, 14 Drawing Sheets**

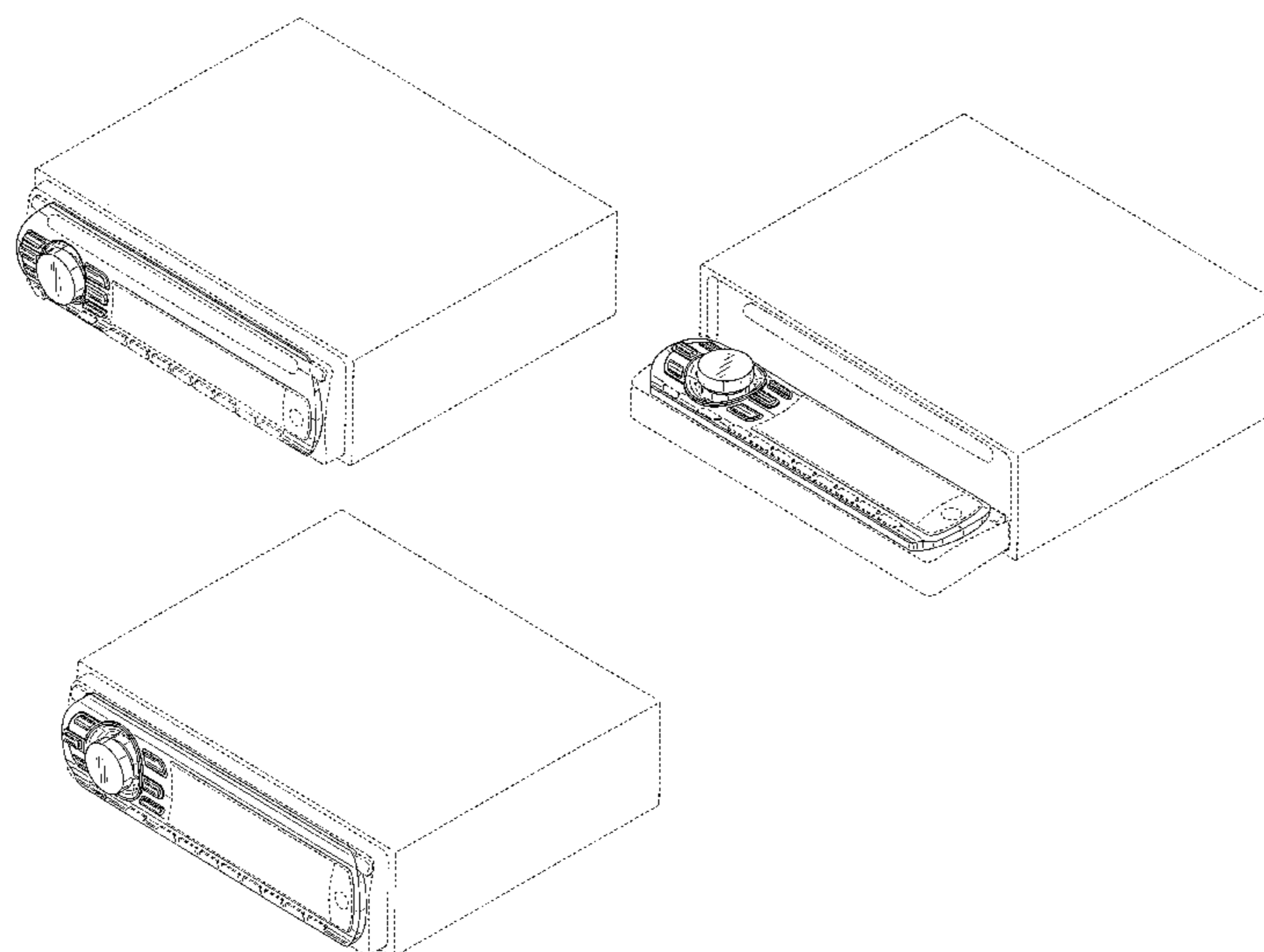


Fig. 1

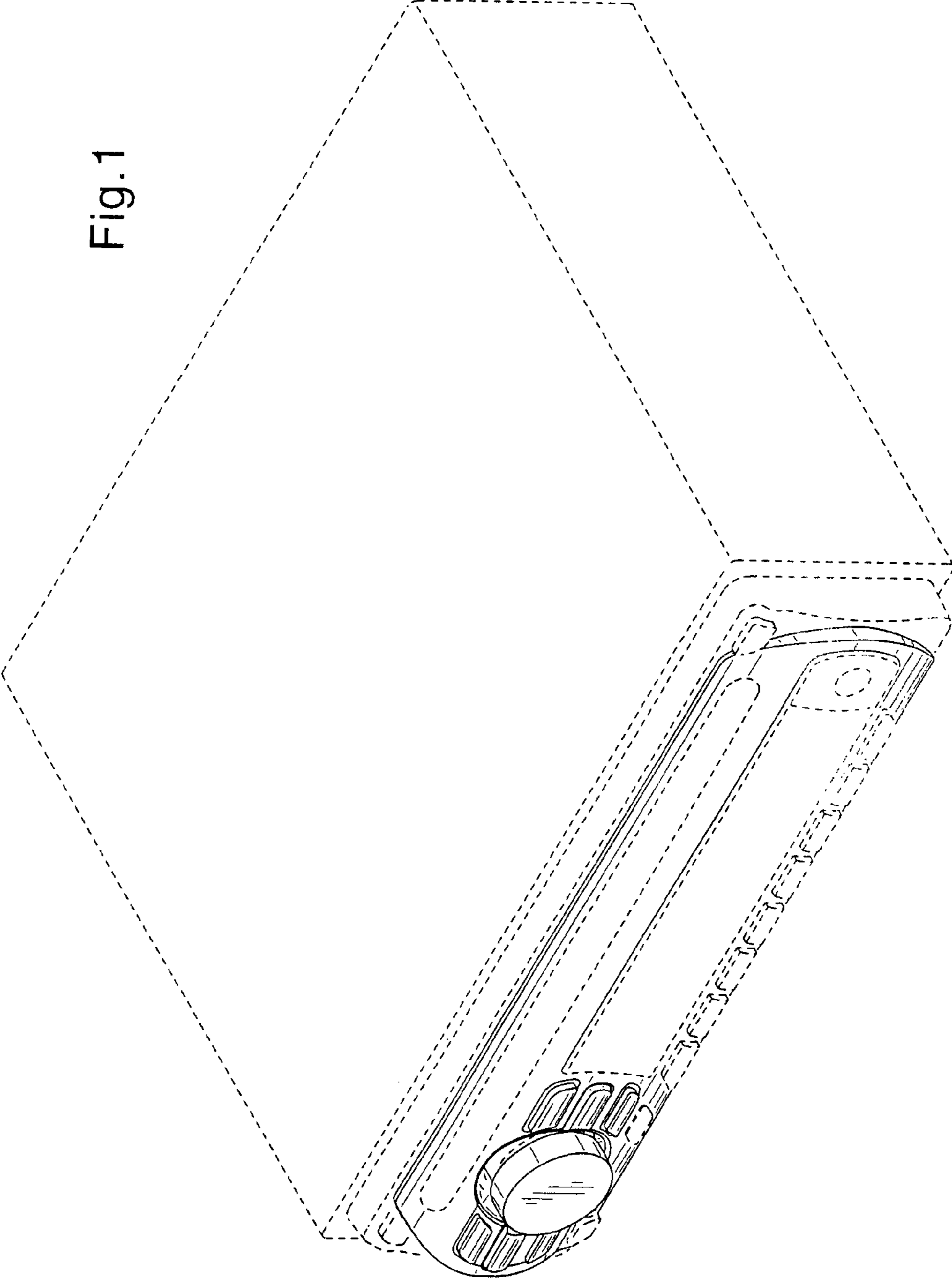


Fig.2

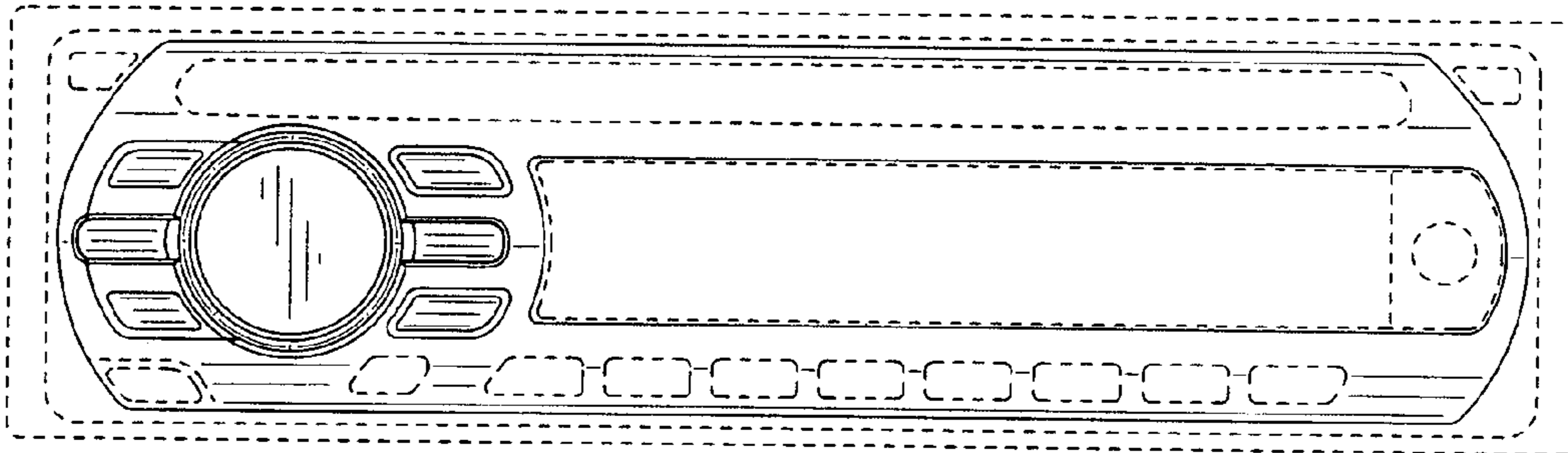


Fig.3

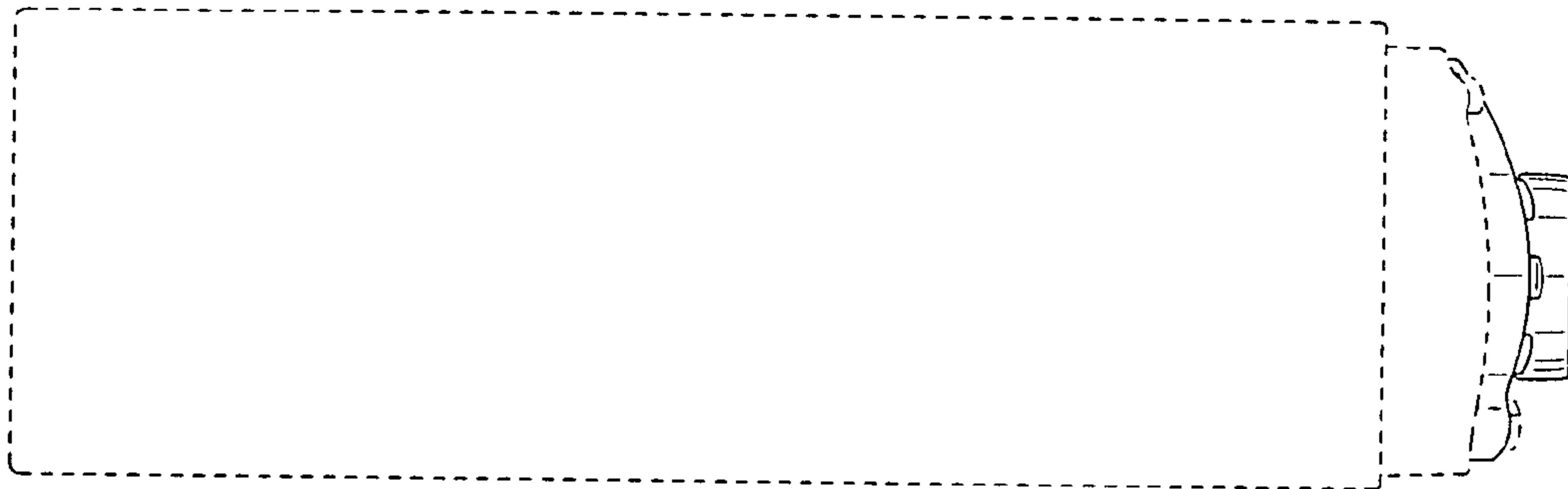


Fig.4

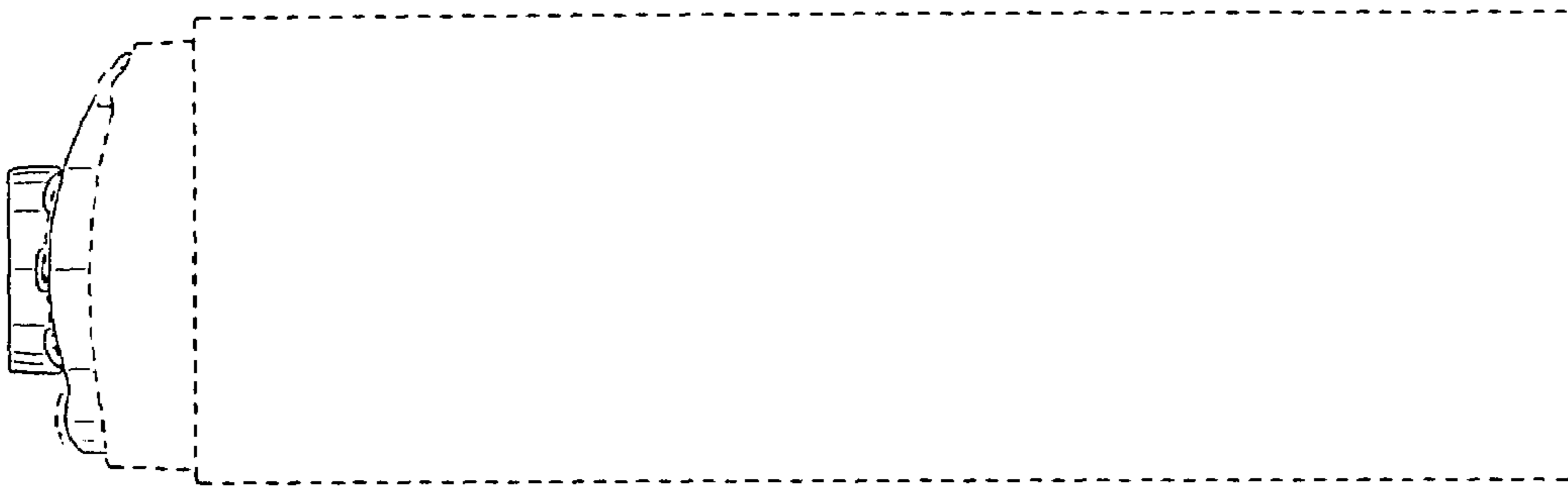


Fig.5

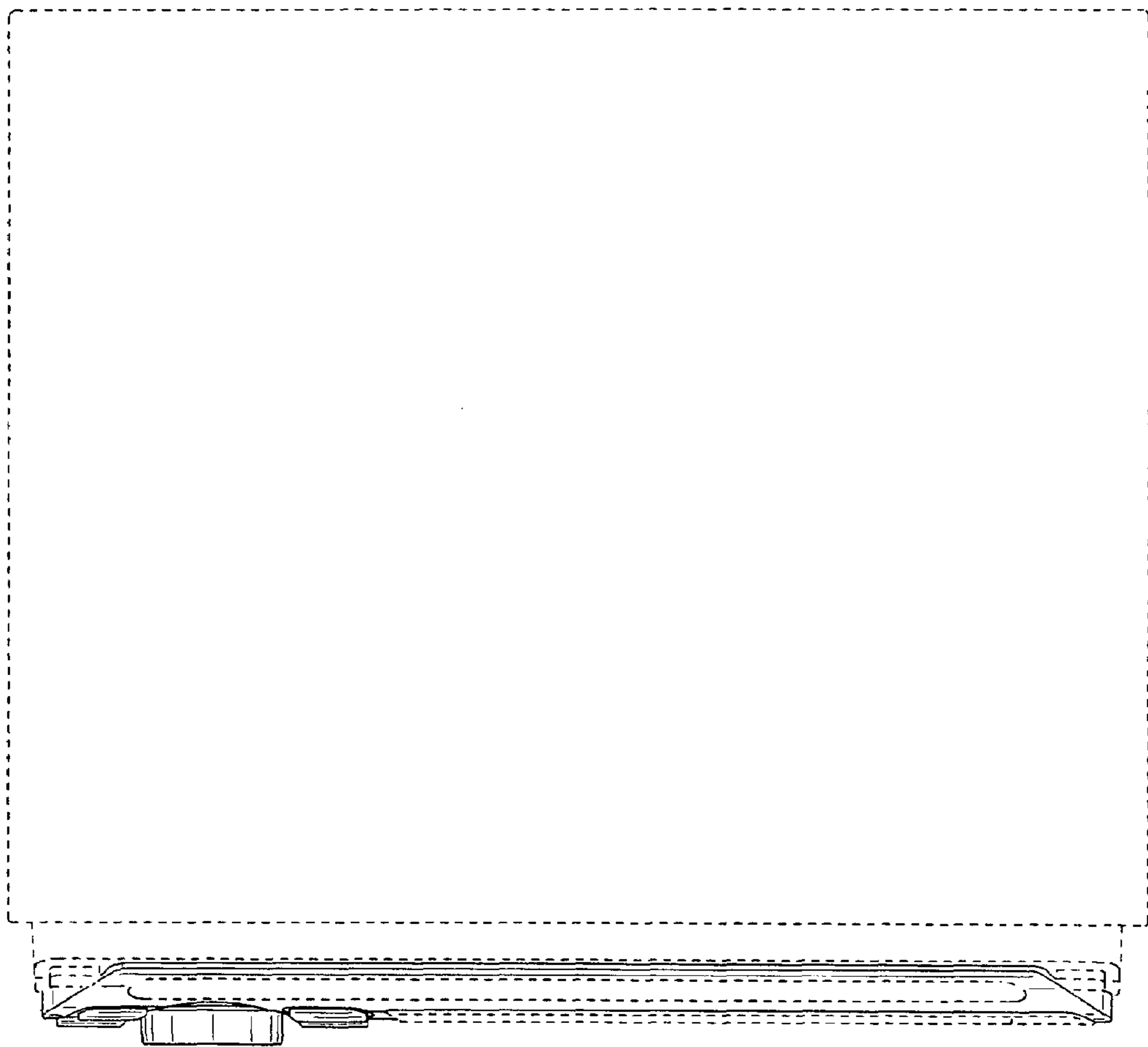


Fig.6

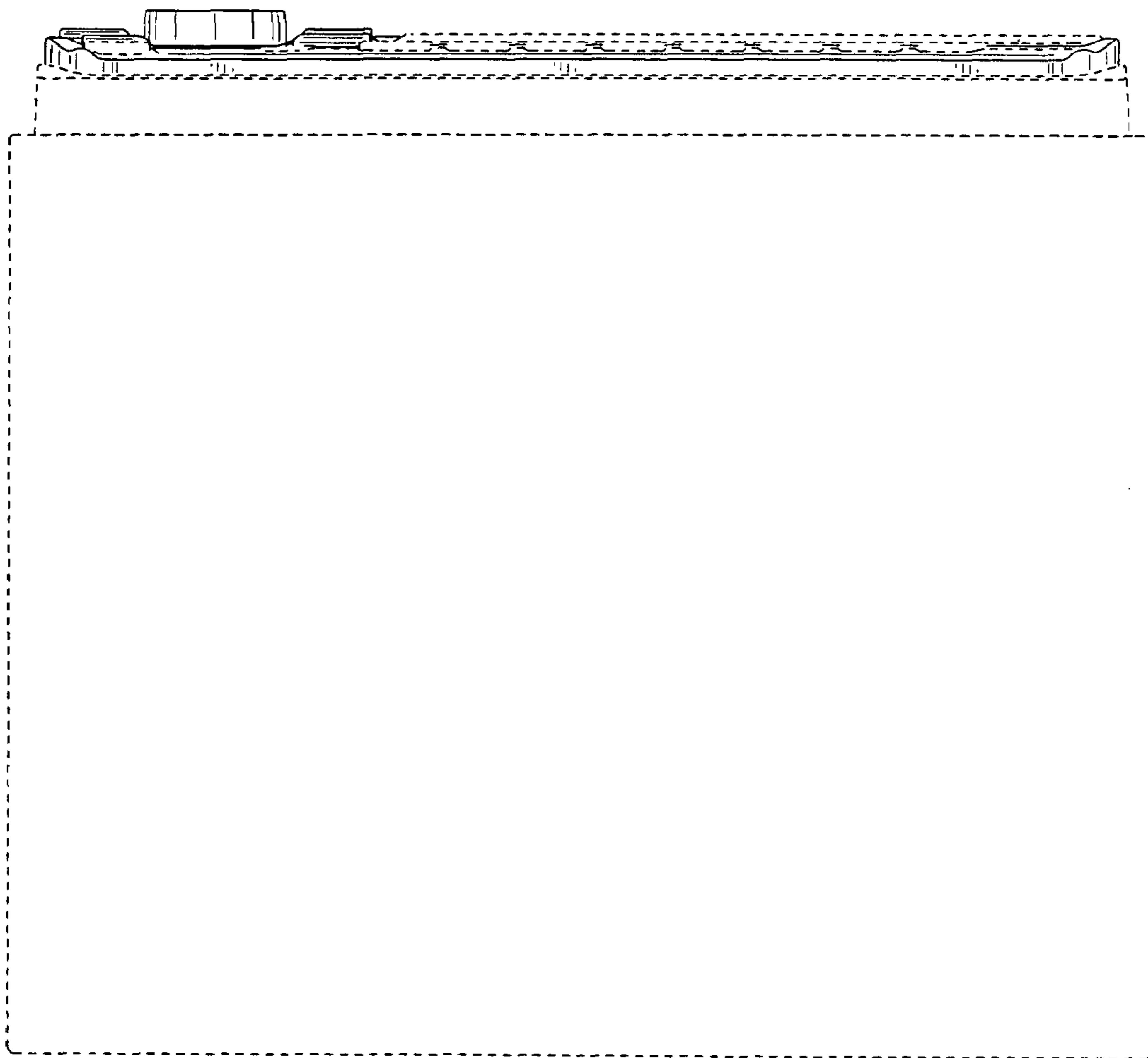


Fig. 7

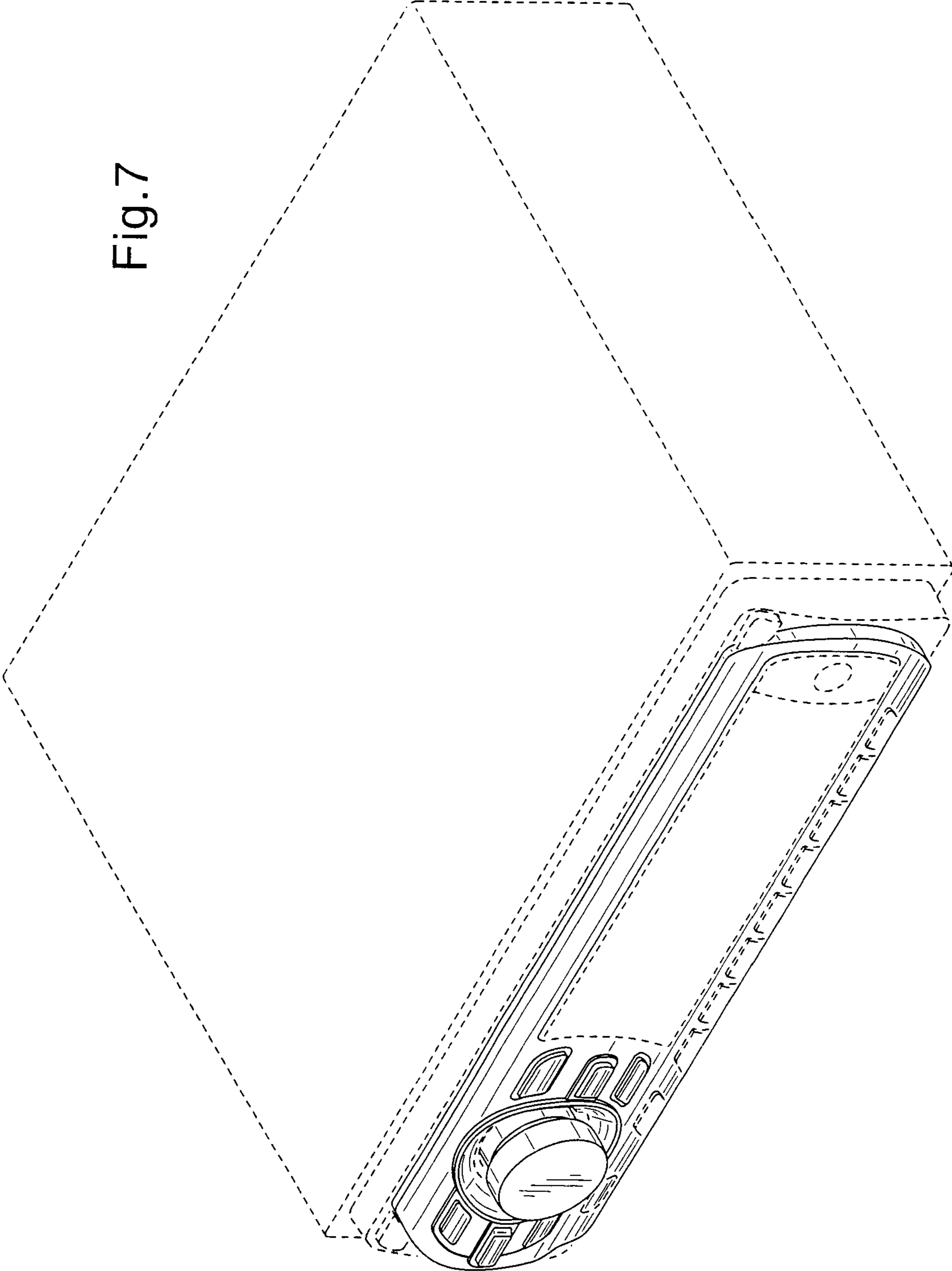




Fig. 8

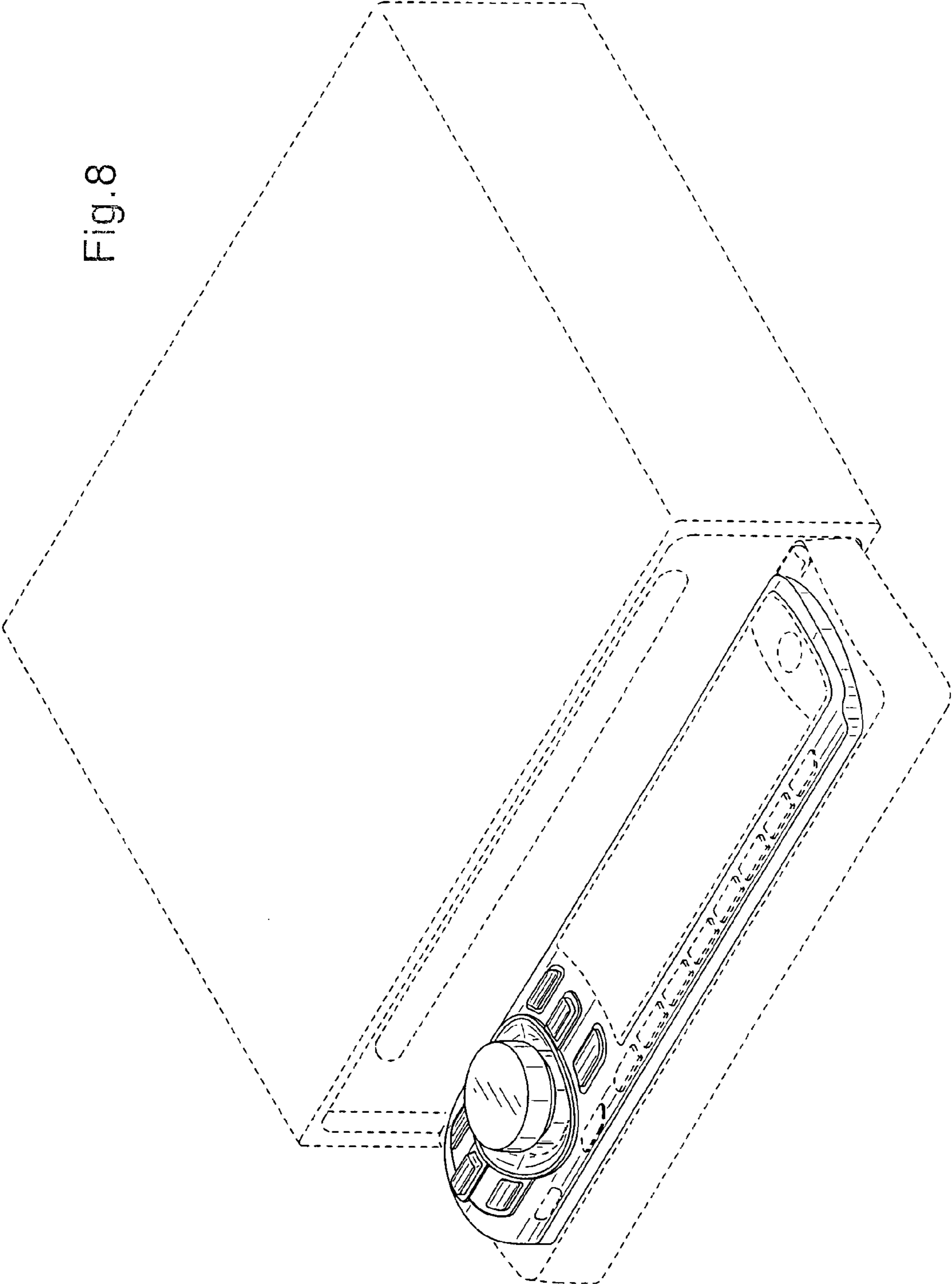


Fig.9

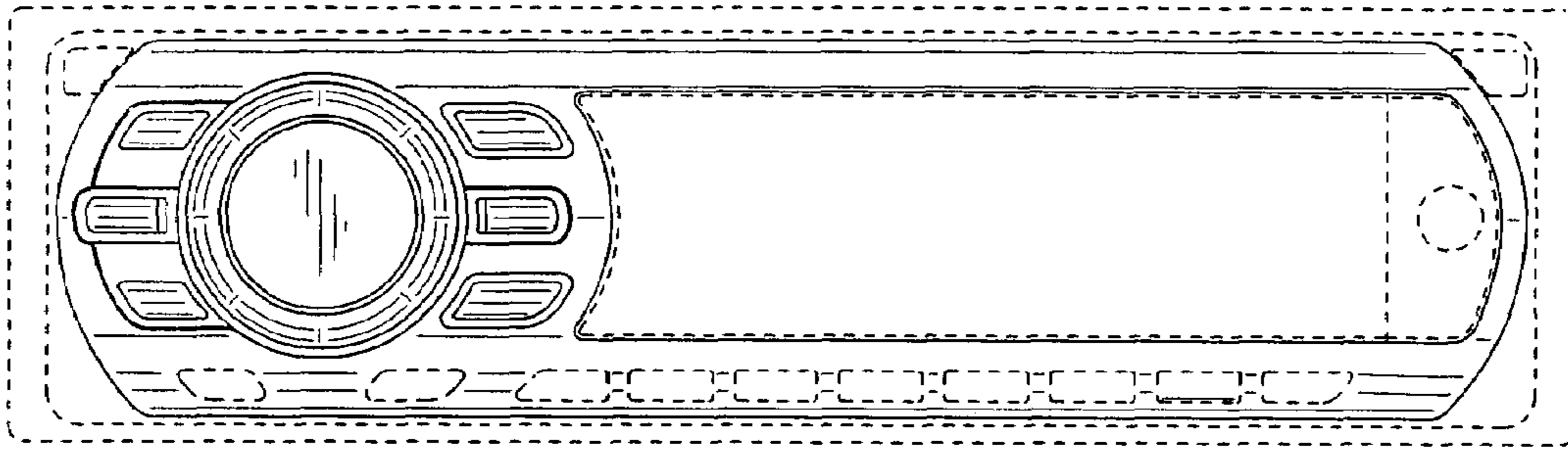


Fig.10



Fig. 11

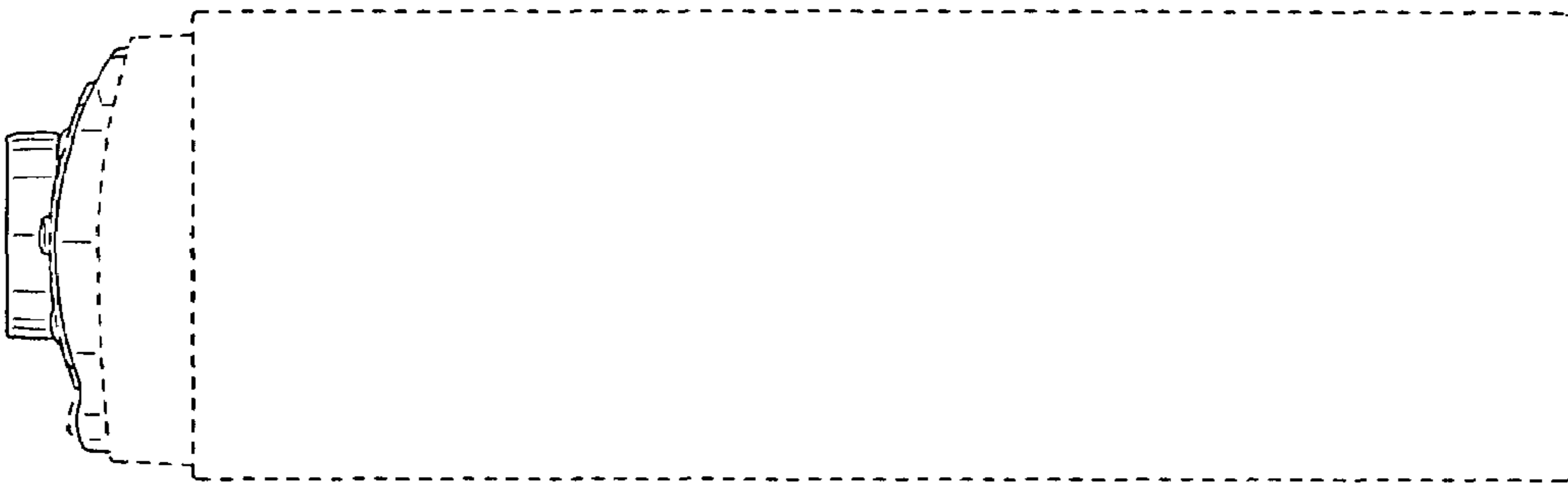


Fig.12

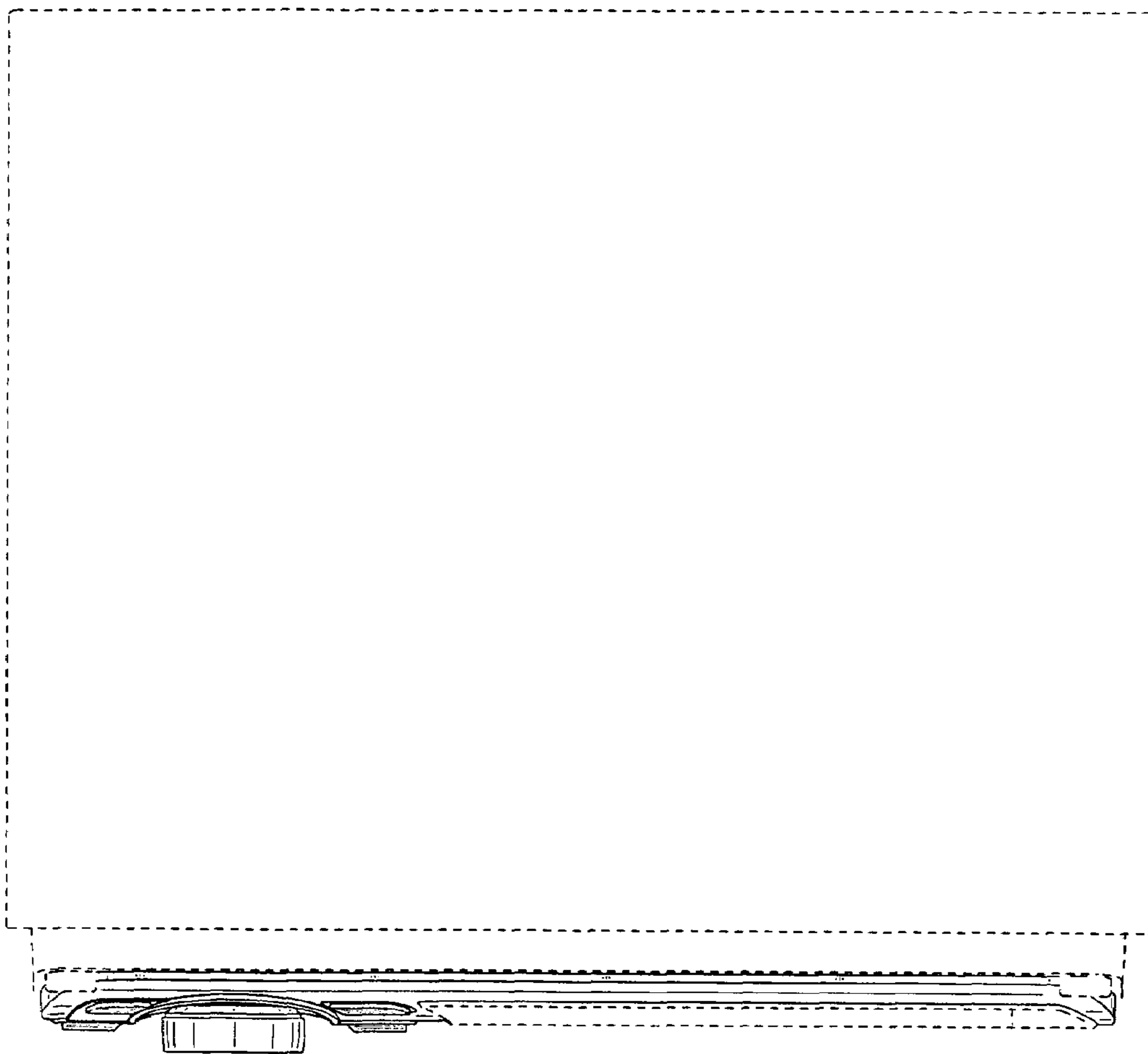


Fig.13

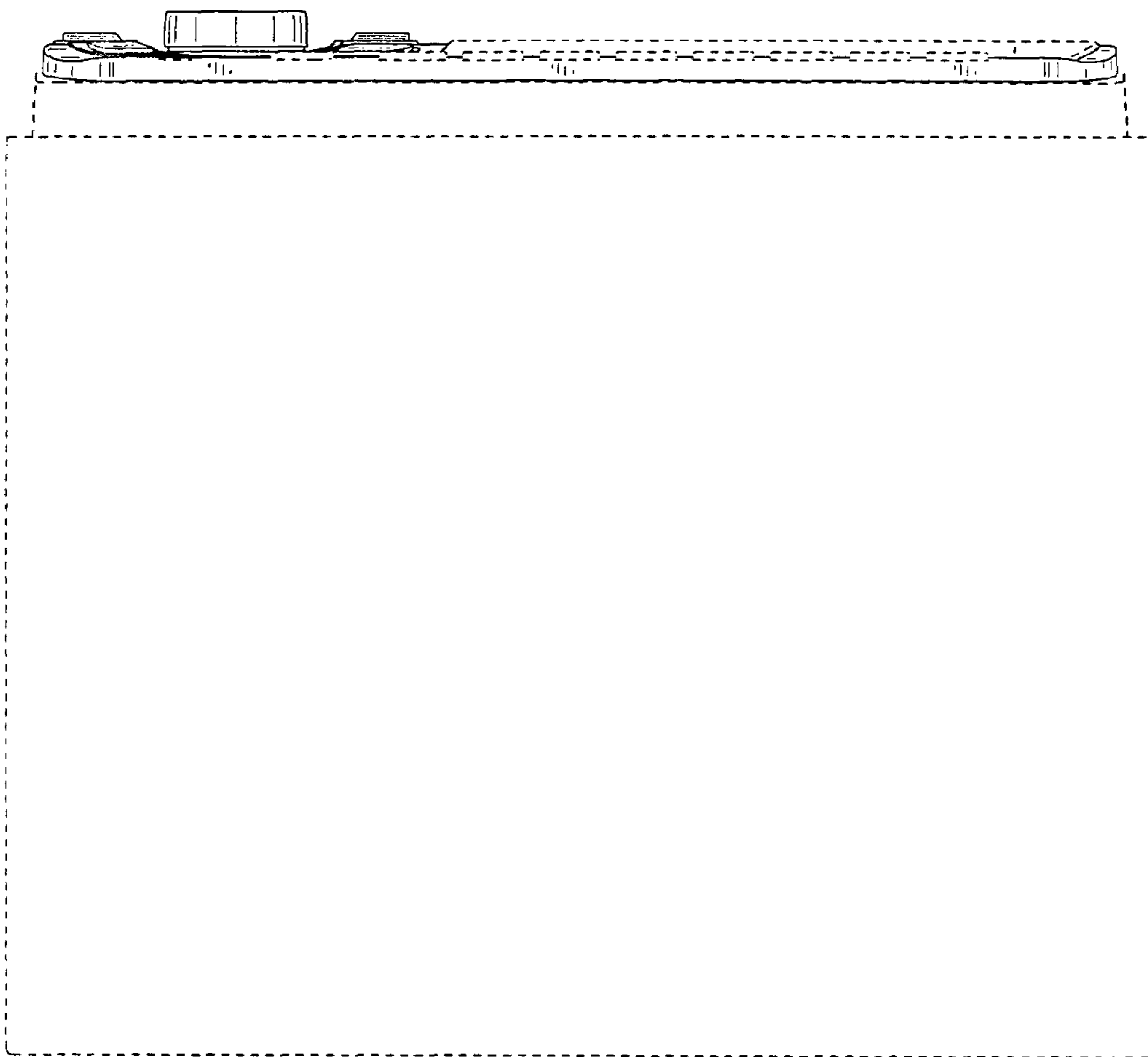


Fig.14

