

US00D571347S

(12) **United States Design Patent**
Masul

(10) **Patent No.:** **US D571,347 S**
(45) **Date of Patent:** **** Jun. 17, 2008**

(54) **DISC PLAYER**

D516,539 S 3/2006 Masui
D521,974 S * 5/2006 Katsumata D14/168

(75) Inventor: **Kirio Masul**, Tokyo (JP)

* cited by examiner

(73) Assignee: **Sony Corporation**, Tokyo (KP)

Primary Examiner—Nanda Bondade
(74) *Attorney, Agent, or Firm*—Rader, Fishman & Grauer, PLLC

(**) Term: **14 Years**

(21) Appl. No.: **29/274,190**

(57) **CLAIM**

(22) Filed: **Apr. 4, 2007**

The ornamental design for a disc player, as shown.

(51) **LOC (8) Cl.** **14-01**

(52) **U.S. Cl.** **D14/156; D14/168**

(58) **Field of Classification Search** D14/135-136,
D14/156-157, 167-168, 198, 188, 217, 257,
D14/258, 445; 360/99.02, 99.07; 369/75.11,
369/75.21, 77.21, 77.11; 720/612, 619, 647,
720/655; 455/344, 347-351

See application file for complete search history.

DESCRIPTION

FIG. 1 is a perspective view of a disc player showing my new design;

FIG. 2 is a front elevational view thereof;

FIG. 3 is a rear elevational view thereof;

FIG. 4 is a left side elevational view thereof;

FIG. 5 is a right side elevational view thereof;

FIG. 6 is a top plan view thereof; and,

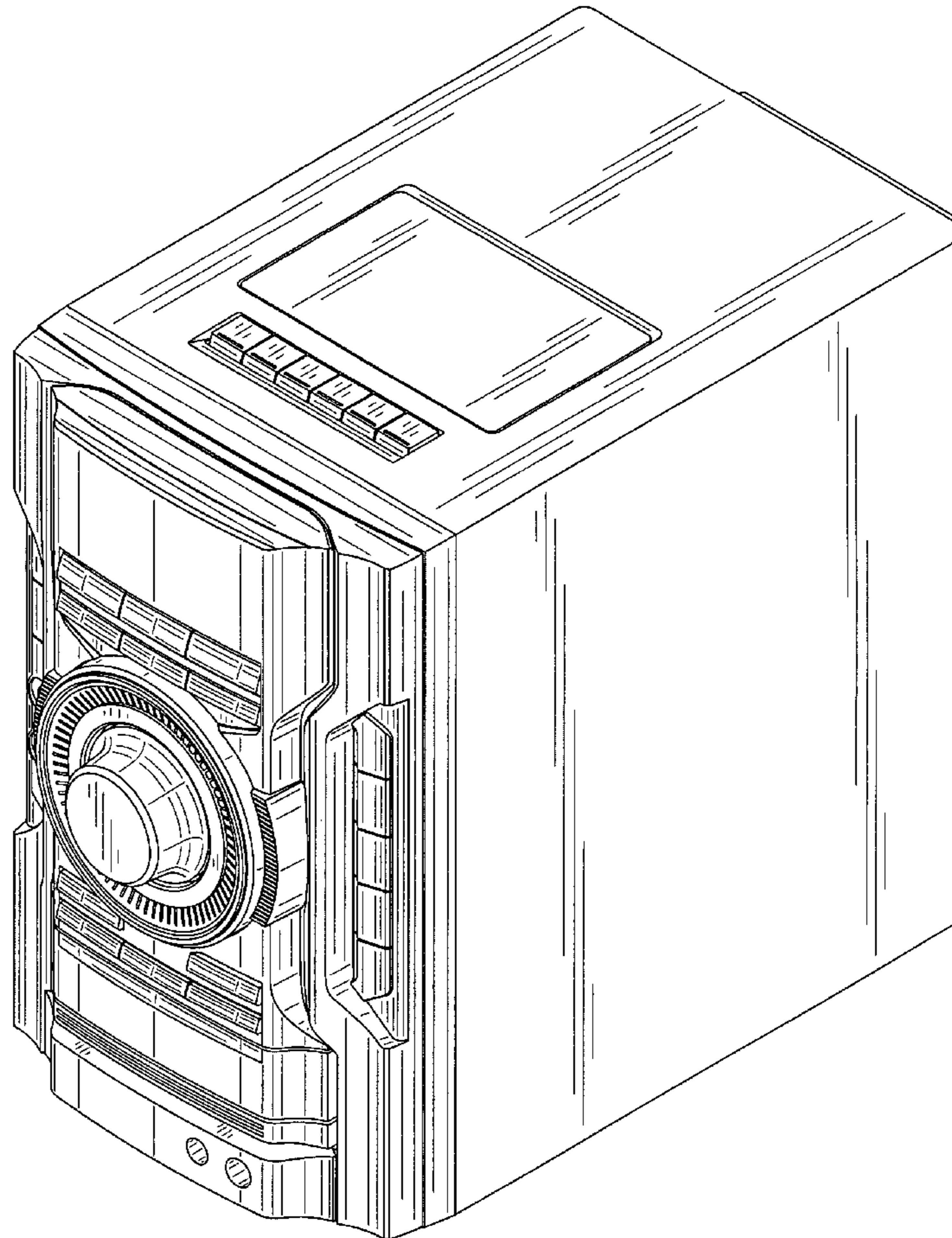
FIG. 7 is a bottom plan view thereof.

(56) **References Cited**

U.S. PATENT DOCUMENTS

D424,058 S * 5/2000 Shudo D14/168
D468,718 S * 1/2003 Cuvelier D14/168
D512,045 S * 11/2005 Motoishi D14/168

1 Claim, 7 Drawing Sheets



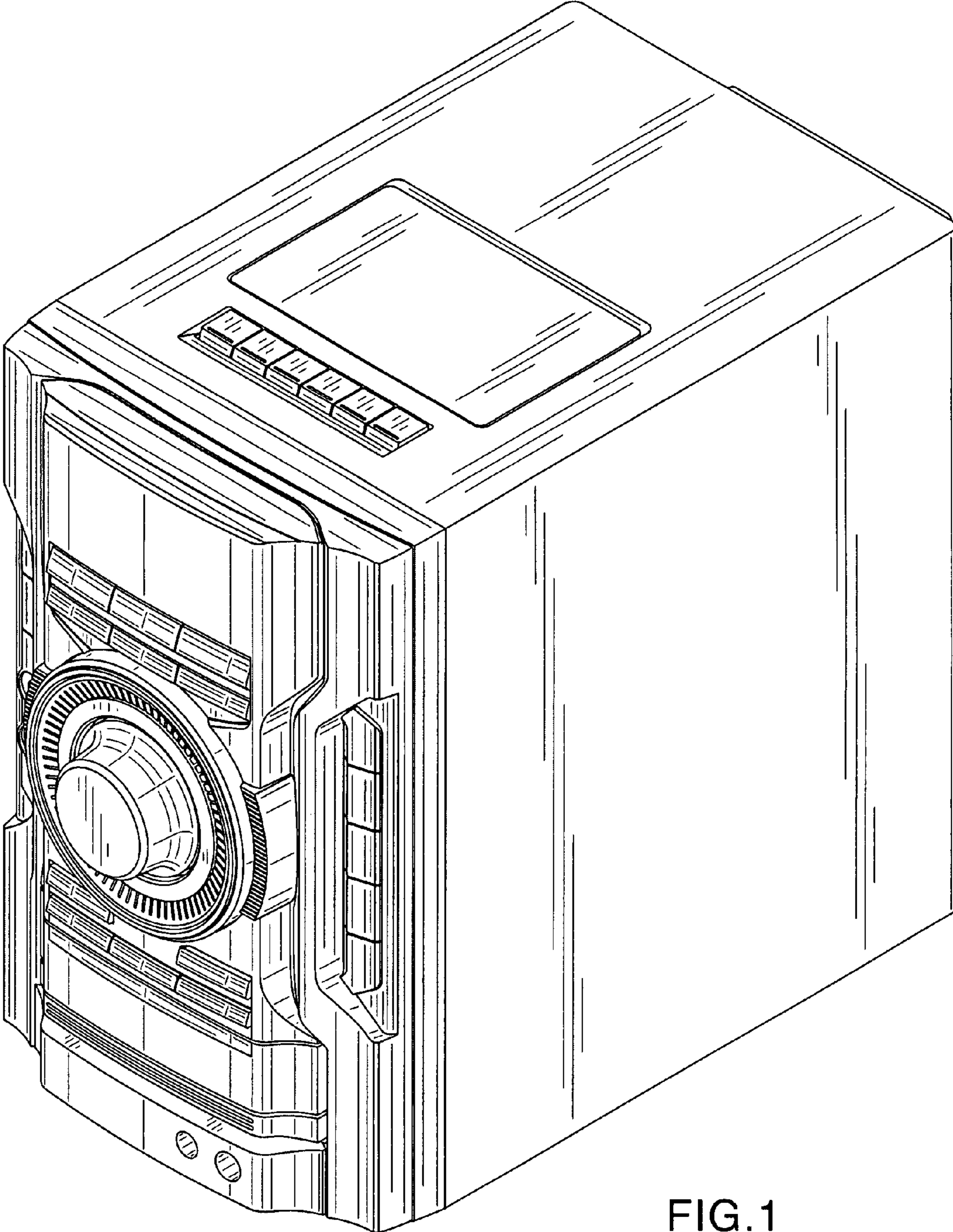


FIG. 1

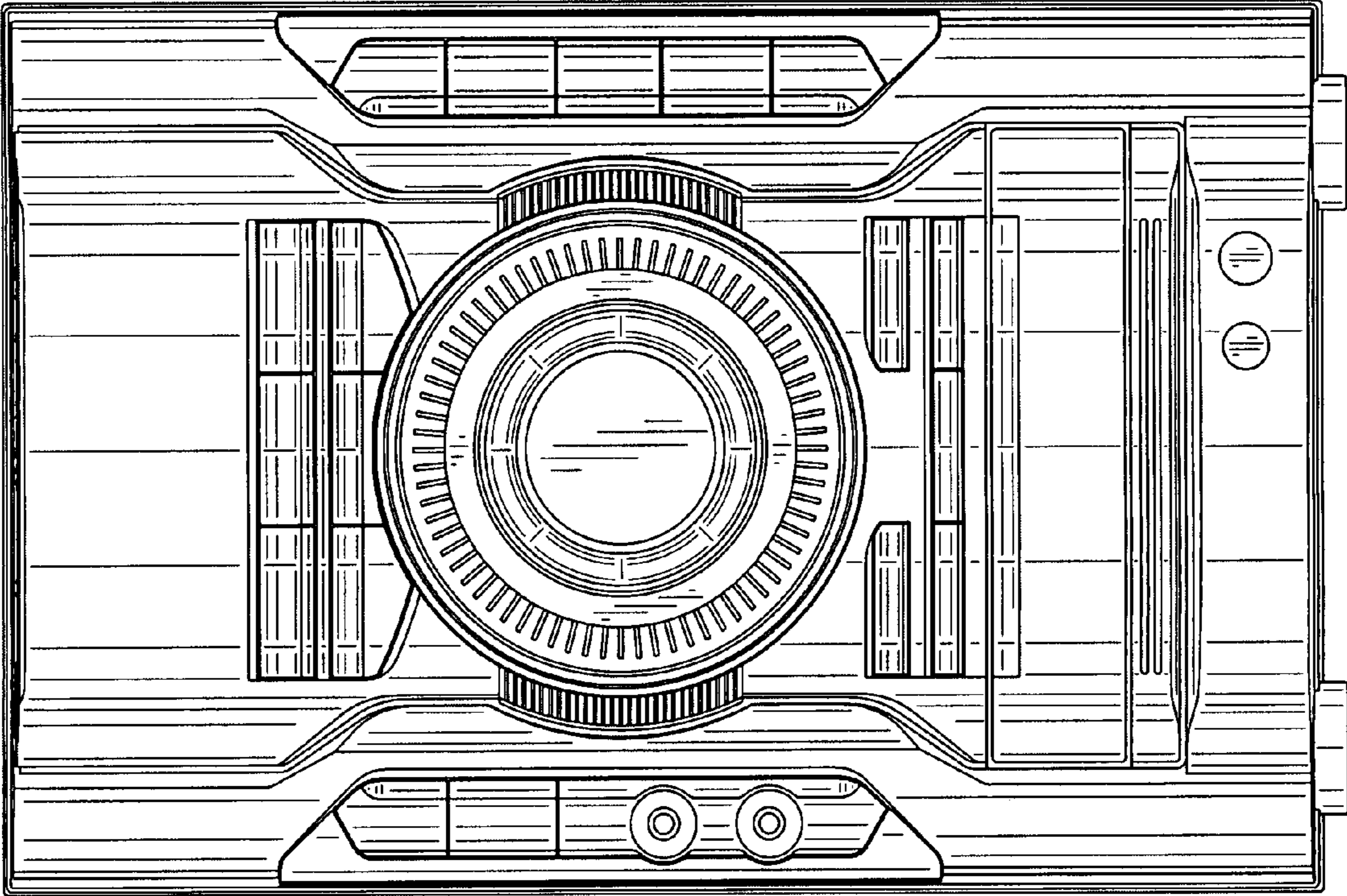


FIG.2

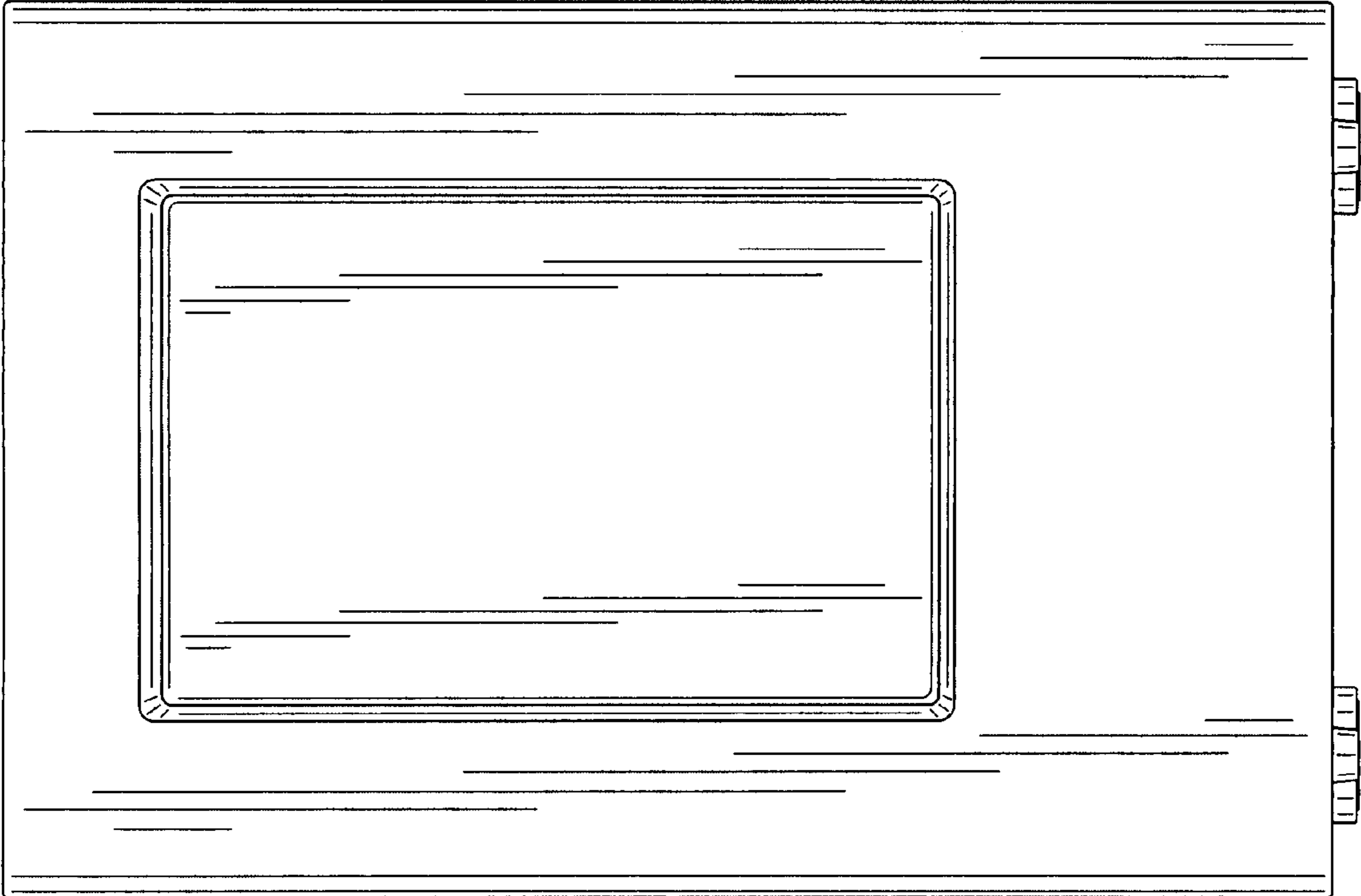


FIG. 3

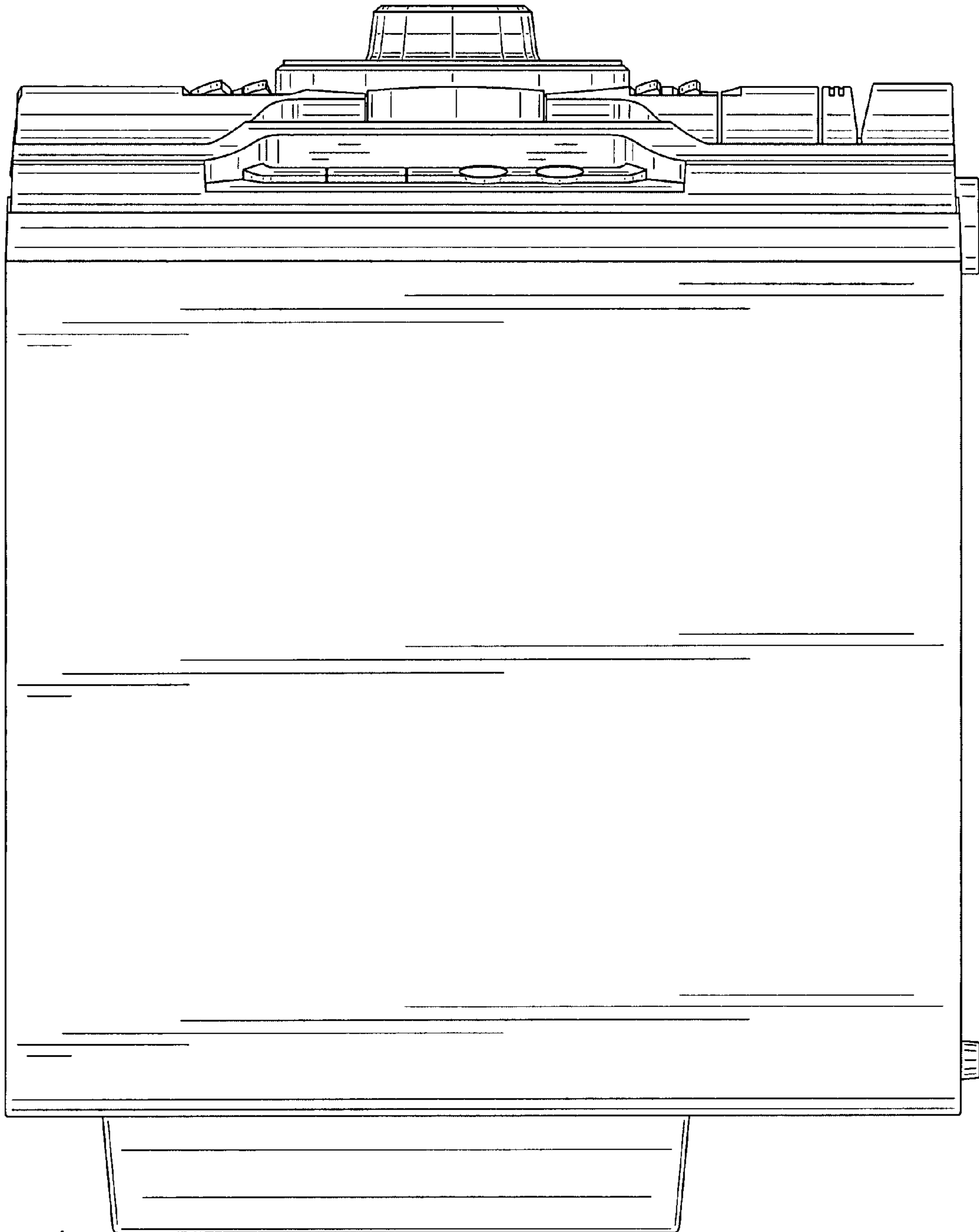


FIG.4

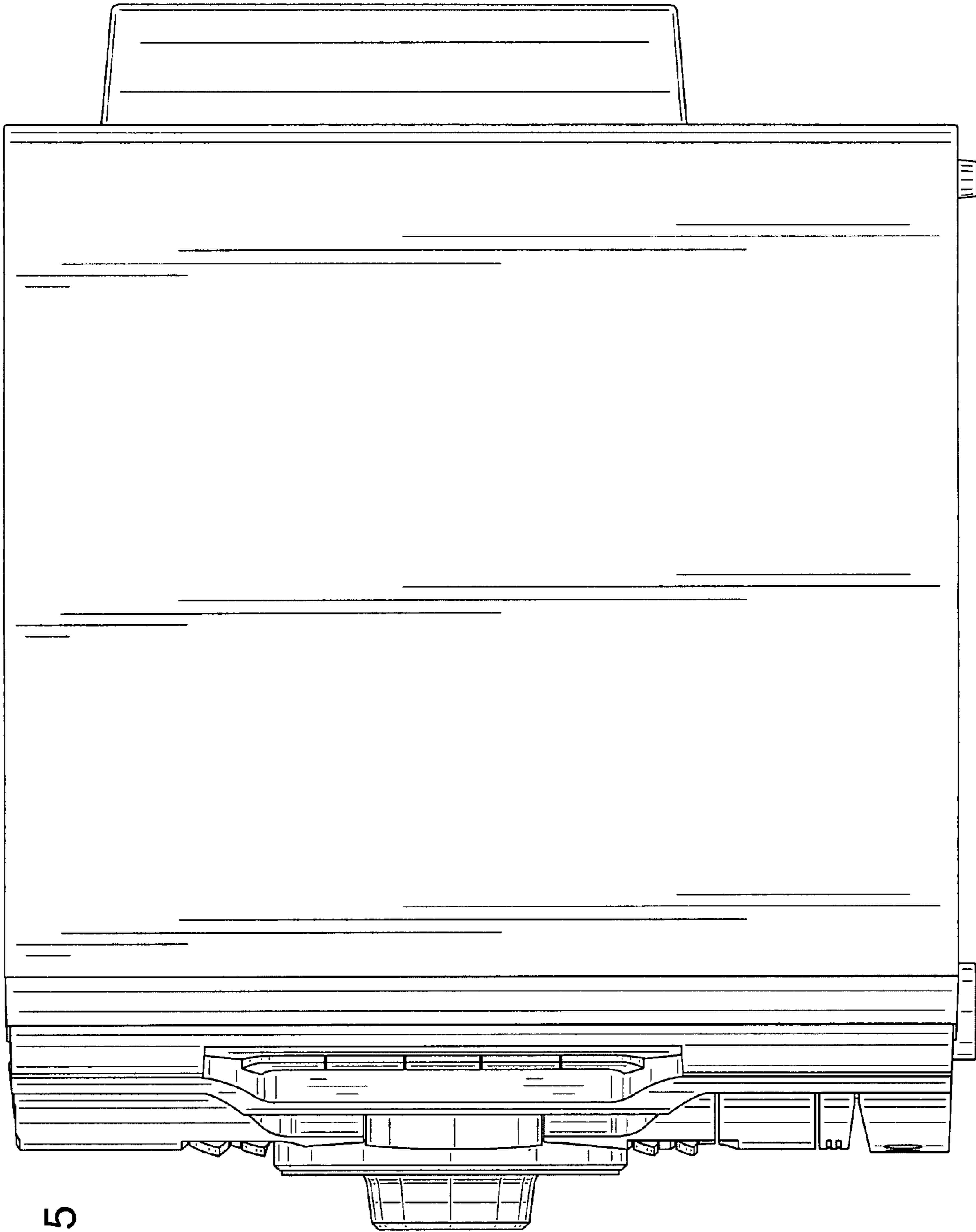


FIG.5

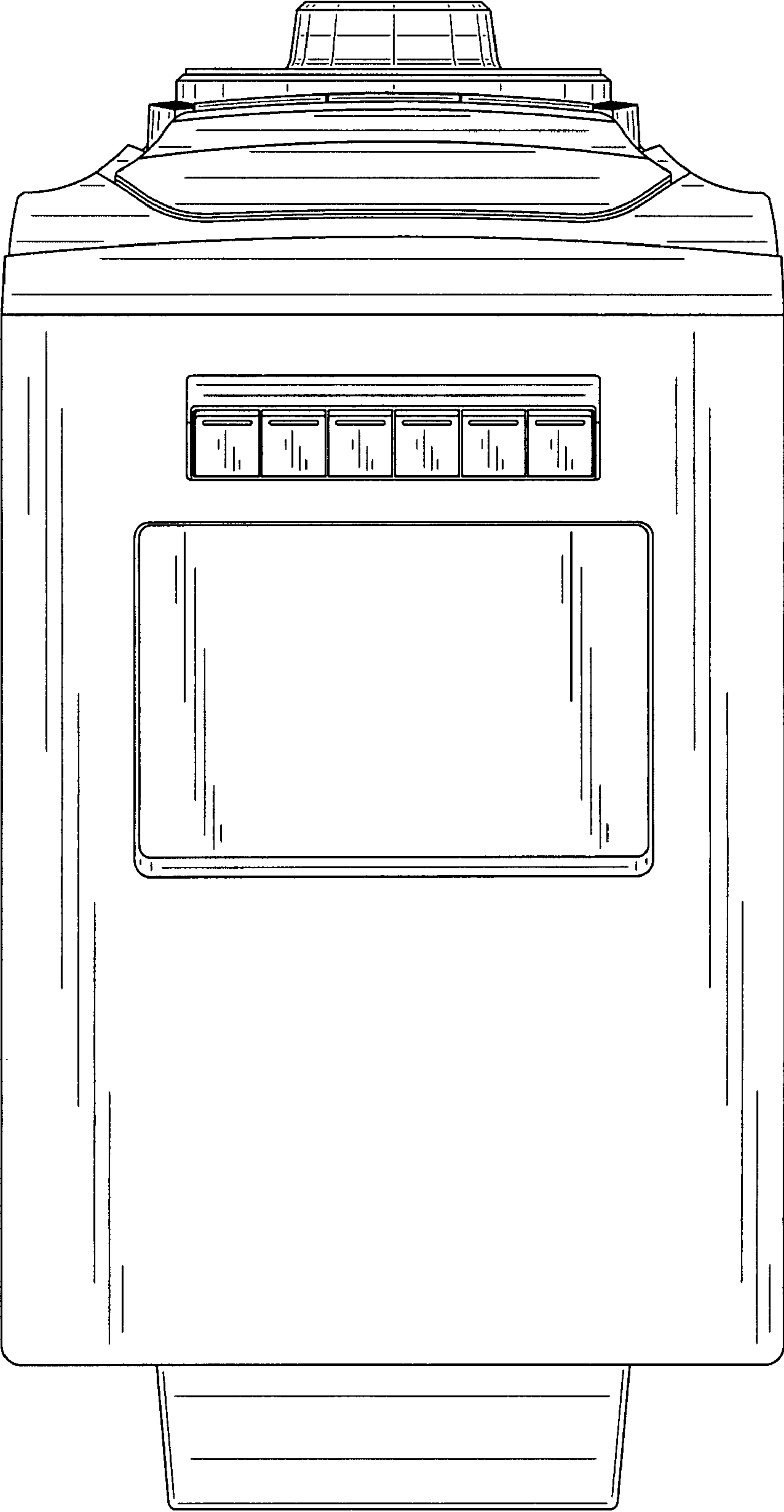


FIG.6

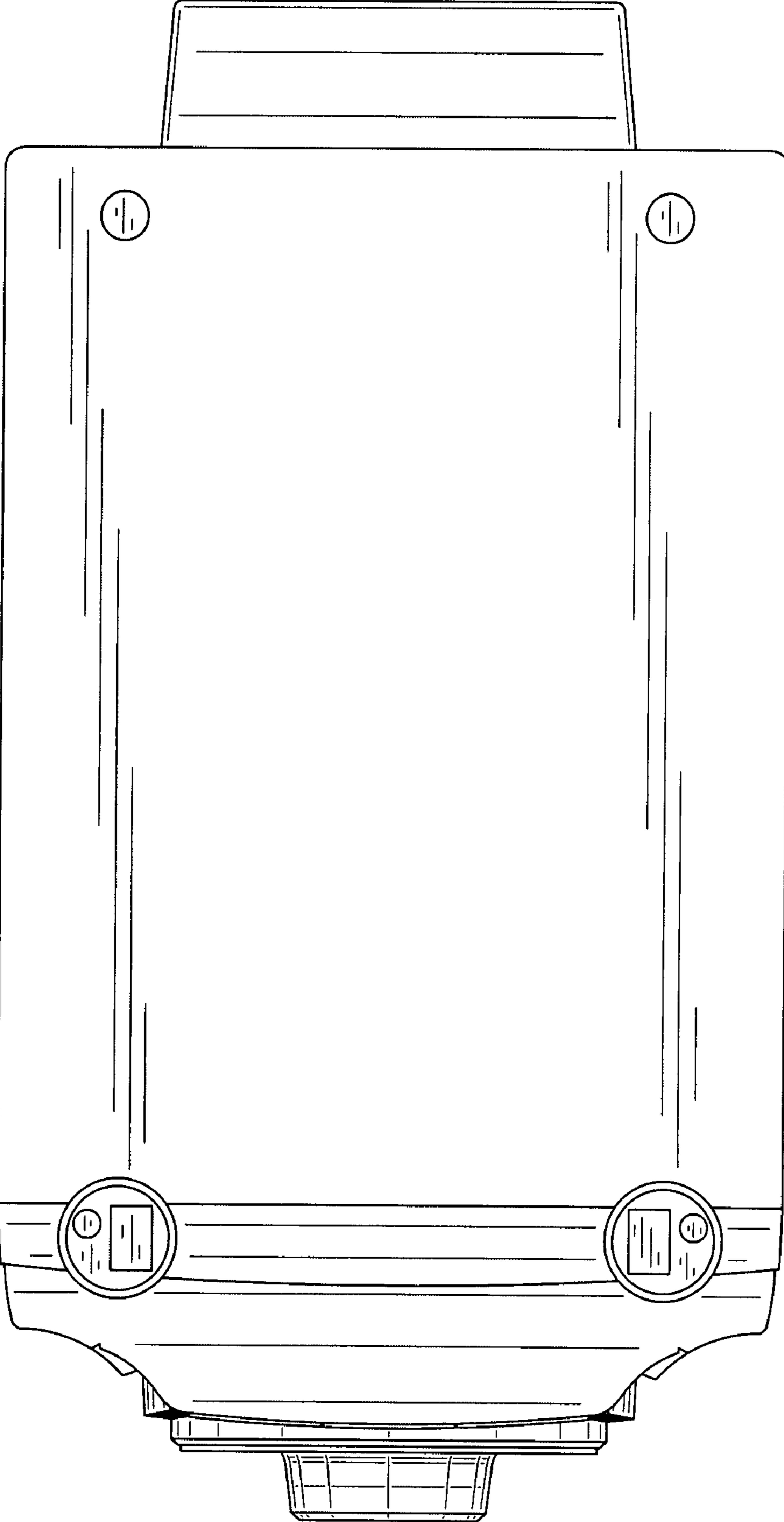


FIG.7