



US00D571346S

(12) **United States Design Patent**  
**Knoll et al.**

(10) **Patent No.:** **US D571,346 S**  
(45) **Date of Patent:** **\*\* Jun. 17, 2008**

(54) **RADIO FREQUENCY IDENTIFICATION TAG**

(75) Inventors: **Brent J. Knoll**, Maple Grove, MN  
(US); **Bradley A. Rohlf**, Lakeville, MN  
(US)

(73) Assignee: **D B Industries, Inc.**, Red Wing, MN  
(US)

(\*\*) Term: **14 Years**

(21) Appl. No.: **29/249,952**

(22) Filed: **Oct. 27, 2006**

(51) **LOC (8) Cl.** ..... **14-03**

(52) **U.S. Cl.** ..... **D14/155; D14/230**

(58) **Field of Classification Search** ..... D24/200;  
D14/155, 230; D11/81, 4; D10/119; 84/402;  
63/40; 439/595; 40/6; 340/572.8, 572.3,  
340/572.1; 182/3

See application file for complete search history.

(56) **References Cited**

**U.S. PATENT DOCUMENTS**

- D212,850 S \* 12/1968 Roberts ..... D14/155
- 4,616,435 A \* 10/1986 Perfect ..... 40/6
- D346,029 S \* 4/1994 Shalvi ..... D24/200
- D395,837 S \* 7/1998 Davis, Jr. .... D10/119
- 6,489,545 B1 \* 12/2002 Hart et al. .... 84/402
- 6,836,215 B1 \* 12/2004 Laurash et al. .... 340/572.1
- 7,257,967 B2 \* 8/2007 Rheinstein ..... 63/40
- 7,286,055 B2 \* 10/2007 Girvin et al. .... 340/572.3
- D560,538 S \* 1/2008 Yuengling ..... D11/81
- D562,172 S \* 2/2008 Yuengling ..... D11/4

- 2006/0048998 A1 3/2006 Wolner et al.
- 2006/0092028 A1\* 5/2006 Lerch et al. .... 340/572.8
- 2008/0009185 A1\* 1/2008 Knoll et al. .... 439/595

\* cited by examiner

*Primary Examiner*—Cathron Brooks  
*Assistant Examiner*—Austin Murphy  
(74) *Attorney, Agent, or Firm*—IPLM Group, P.A.

(57) **CLAIM**

The ornamental design for radio frequency identification tag, as shown and described.

**DESCRIPTION**

FIG. 1 is a front view of a radio frequency identification tag; FIG. 2 is a left side view of the radio frequency identification tag shown in FIG. 1;

FIG. 3 is a right side view of the radio frequency identification tag shown in FIG. 1;

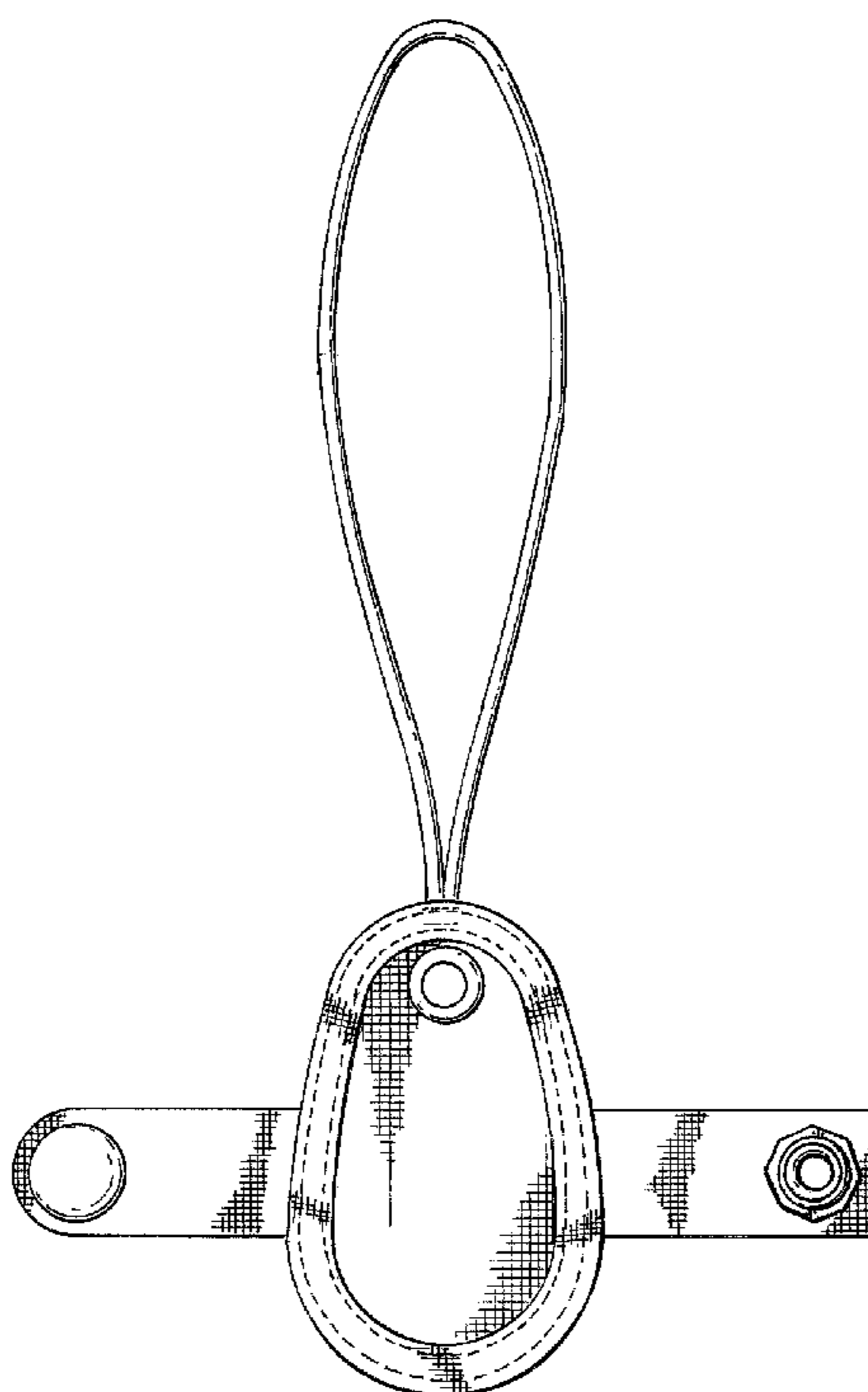
FIG. 4 is a top view of the radio frequency identification tag shown in FIG. 1;

FIG. 5 is a rear view of the radio frequency identification tag shown in FIG. 1; and,

FIG. 6 is a bottom view of the radio frequency identification tag shown in FIG. 1.

The cross hatch shading shown in the drawings is understood to represent fabric and is understood to repeat uniformly throughout the areas on which it is applied. The dashed lines shown around the central elliptical area are understood to represent stitching.

**1 Claim, 2 Drawing Sheets**



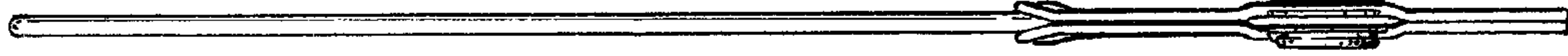


FIG.3

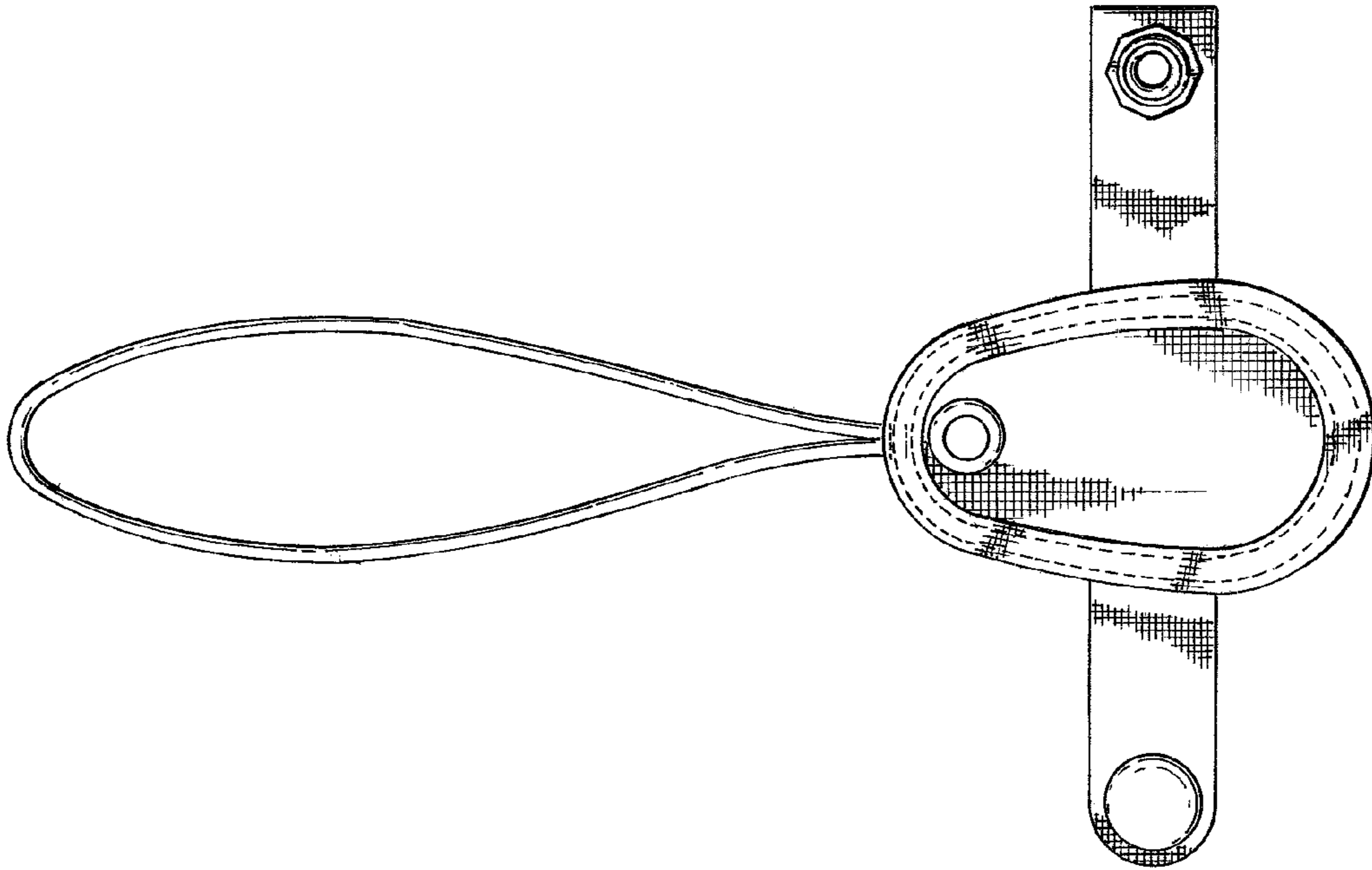


FIG.1



FIG.2

FIG. 4

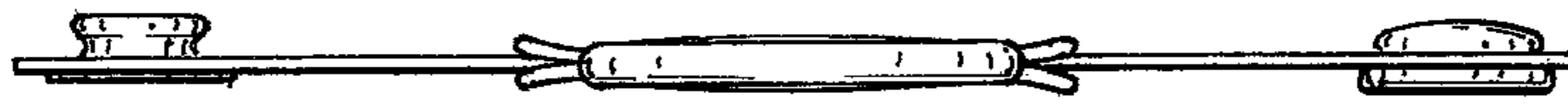


FIG. 5

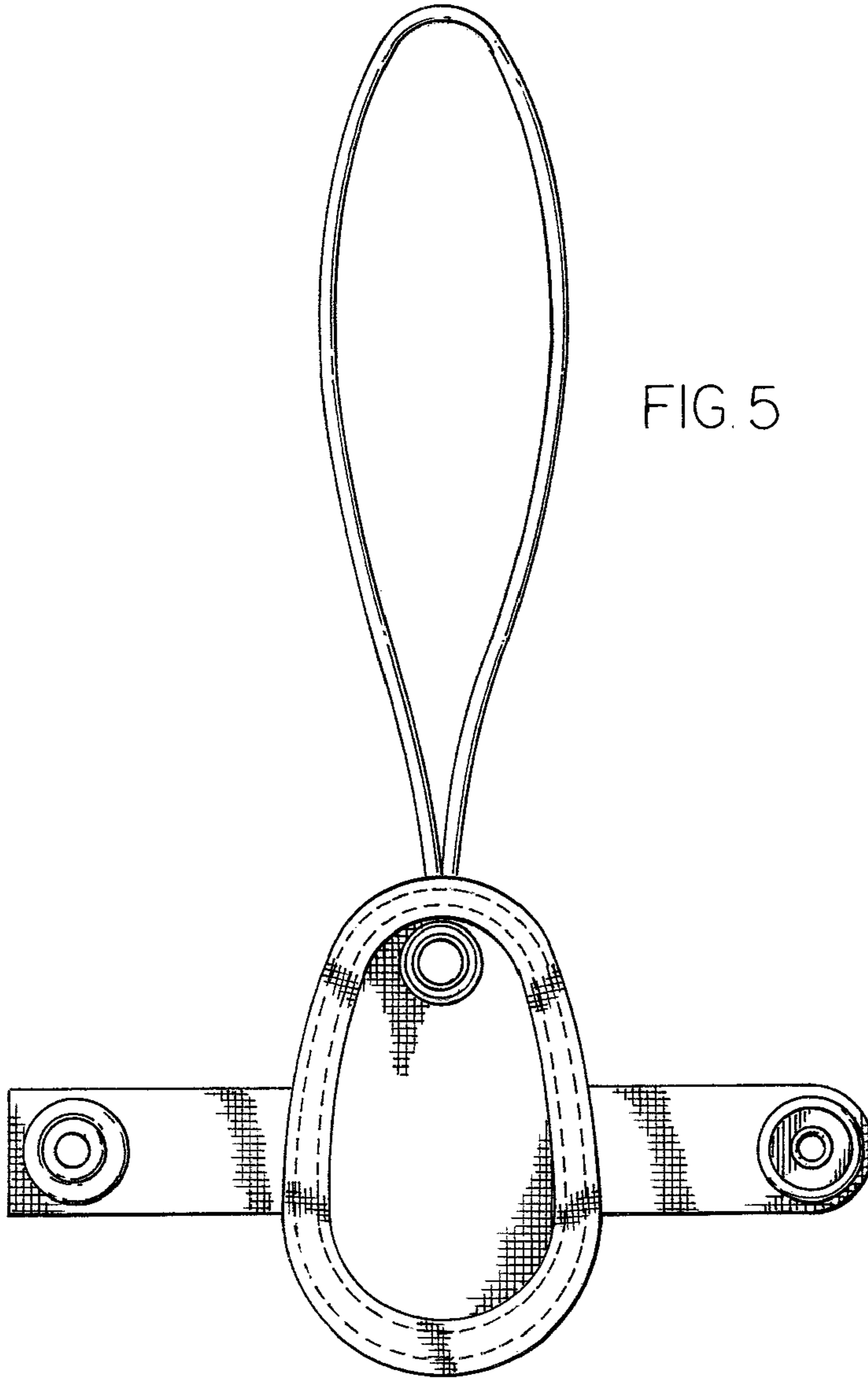


FIG. 6

