



US00D571345S

(12) **United States Design Patent**  
**Kim et al.**

(10) **Patent No.:** **US D571,345 S**  
(45) **Date of Patent:** **\*\* Jun. 17, 2008**

(54) **PORTABLE TELEPHONE**

(75) Inventors: **Jin-Soo Kim**, Seoul (KR); **Min-Hyounk Lee**, Seoul (KR); **Chang-Hwan Hwang**, Seoul (KR)

(73) Assignee: **Samsung Electronics Co., Ltd.**,  
Kyunggi-do (KR)

(\*\*) Term: **14 Years**

(21) Appl. No.: **29/292,096**

(22) Filed: **Sep. 27, 2007**

(51) **LOC (8) Cl.** ..... **14-03**

(52) **U.S. Cl.** ..... **D14/138**

(58) **Field of Classification Search** ..... D14/138,  
D14/496, 341-347; 455/575.3, 575.1; D21/517  
See application file for complete search history.

(56) **References Cited**

**U.S. PATENT DOCUMENTS**

D506,454 S *	6/2005	Kim et al.	.....	D14/138
D508,032 S	8/2005	Kim et al.		
D508,035 S *	8/2005	Kim et al.	.....	D14/138
D512,038 S	11/2005	Kim et al.		
D519,966 S *	5/2006	Salmi et al.	.....	D14/138
D519,972 S	5/2006	Chung et al.		
D520,980 S *	5/2006	Taniyama et al.	.....	D14/138
D521,971 S	5/2006	Kim et al.		
D525,230 S	7/2006	Kim et al.		
7,089,040 B2 *	8/2006	Iwabuchi et al.	.....	455/566
D528,091 S	9/2006	Kim et al.		
D536,320 S *	2/2007	Michaels	.....	D14/138
D536,689 S *	2/2007	Suzuki et al.	.....	D14/138
D540,769 S *	4/2007	Lee et al.	.....	D14/138
D543,172 S	5/2007	Lee et al.		
D543,173 S *	5/2007	Park et al.	.....	D14/138
D545,284 S	6/2007	Kim et al.		
D545,287 S	6/2007	Han et al.		
D545,796 S *	7/2007	Kim et al.	.....	D14/138
D546,311 S *	7/2007	Lee	.....	D14/138
D551,639 S *	9/2007	Kim	.....	D14/138
D551,642 S *	9/2007	Kim et al.	.....	D14/138
7,269,443 B2 *	9/2007	Park et al.	.....	455/556.2

D552,059 S	10/2007	Cho et al.		
D553,110 S *	10/2007	Park et al.	.....	D14/138
D554,094 S *	10/2007	Ribeiro et al.	.....	D14/138
D559,813 S *	1/2008	Cho et al.	.....	D14/138
D560,186 S *	1/2008	Kim et al.	.....	D14/138
D560,189 S *	1/2008	Kim et al.	.....	D14/138
D560,637 S *	1/2008	Yang et al.	.....	D14/138
D560,643 S *	1/2008	Kim et al.	.....	D14/138
D561,728 S *	2/2008	Kim et al.	.....	D14/138
D563,351 S *	3/2008	Baik et al.	.....	D14/138
D563,367 S *	3/2008	Chung et al.	.....	D14/138
2006/0135225 A1 *	6/2006	Lin et al.	.....	455/575.3

**OTHER PUBLICATIONS**

Nokia 6170 telephone, announced 3<sup>rd</sup> quarter 2004, [online], [site visited Feb. 28, 2008]. Available from Internet ,<URL: <http://www.gsmarena.com>>.\*

(Continued)

*Primary Examiner*—Jeffrey D Asch

(74) *Attorney, Agent, or Firm*—Flynn, Thiel, Boutell & Tanis, P.C.

(57) **CLAIM**

The ornamental design for a portable telephone, as shown and described.

**DESCRIPTION**

FIG. 1 is a top front perspective view of a portable telephone showing our new design;

FIG. 2 is a front elevational view thereof;

FIG. 3 is a rear elevational view thereof;

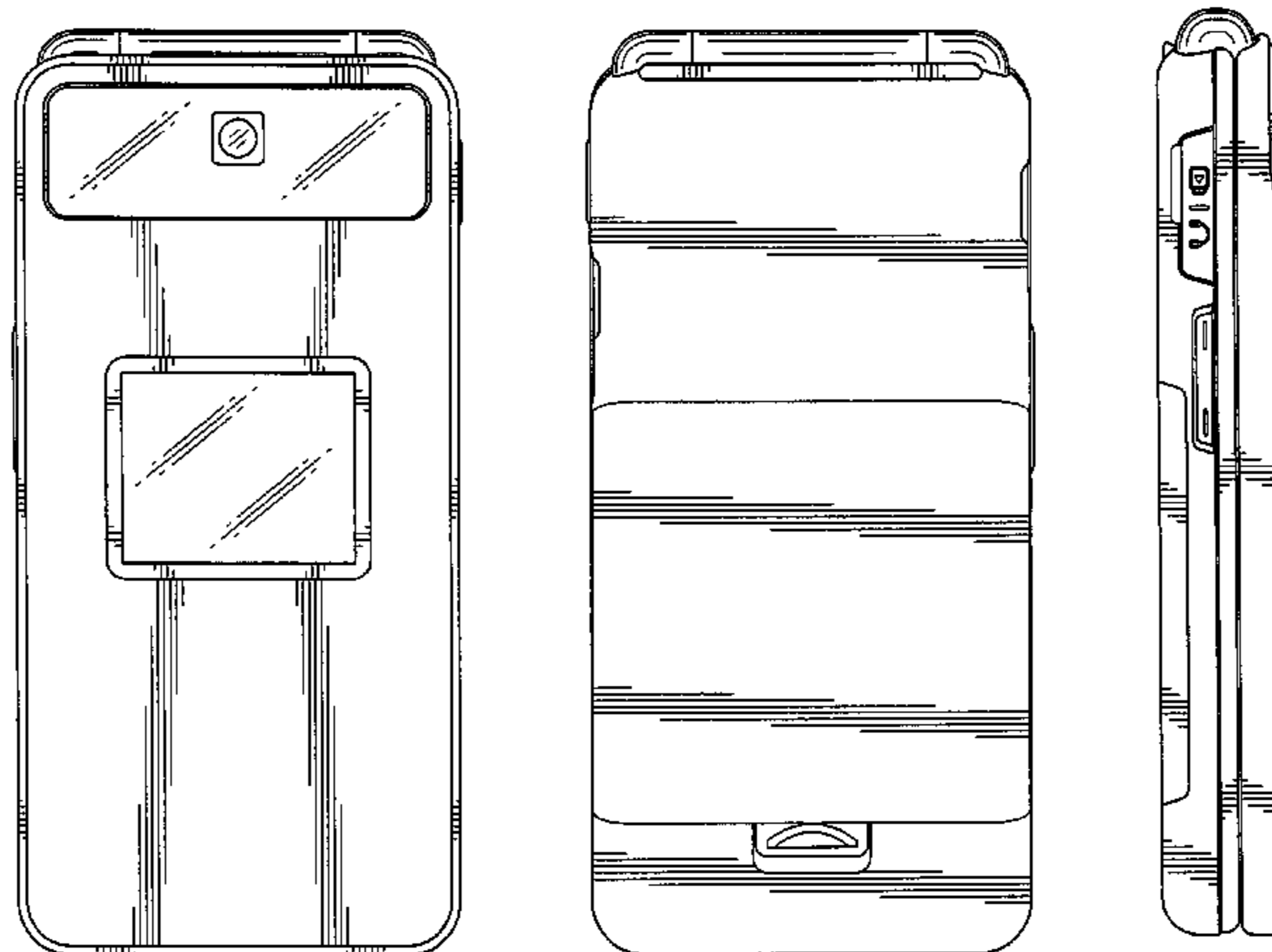
FIG. 4 is a left side elevational view thereof;

FIG. 5 is a right side elevational view thereof;

FIG. 6 is a top plan view thereof; and,

FIG. 7 is a bottom plan view thereof.

**1 Claim, 4 Drawing Sheets**



OTHER PUBLICATIONS

Samsung E210 telephone, announced Aug. 2007, [online], [site visited Feb. 28, 2008]. Available from Internet ,<URL: <http://www.gsmarena.com>>.\*

Samsung E870 telephone, announced 1<sup>st</sup> quarter 2006, [online], [site visited Feb. 28, 2008]. Available from Internet ,<URL: <http://www.gsmarena.com>>.\*

Samsung X410 telephone, announced 2<sup>nd</sup> quarter 2003, [online], [site visited Feb. 28, 2008]. Available from Internet ,<URL: <http://www.gsmarena.com>>.\*

LG U310 telephone, announced Oct. 2006, [online], [site visited Feb. 28, 2008]. Available from Internet ,<URL: <http://www.gsmarena.com>>.\*

LG U890 telephone, announced Feb. 2006, [online], [site visited Feb. 28, 2008]. Available from Internet ,<URL: <http://www.gsmarena.com>>.\*

Toshiba TS10 telephone, announced 3rd quarter 2005, [online], [site visited Feb. 28, 2008]. Available from Internet ,<URL: <http://www.gsmarena.com>>.\*

Pantech PG-2800 telephone, announced May 2006, [online], [site visited Feb. 28, 2008]. Available from Internet ,<URL: <http://www.gsmarena.com>>.\*

U.S. Appl. No. 29/256,888, Applicant: Tae-Joong Kim, et al., filed Mar. 27, 2006 entitled Portable Telephone.

U.S. Appl. No. 29/288,720, Applicant: Kang-Moon Kim, et al., filed Jun. 21, 2007 entitled Portable Telephone.

U.S. Appl. No. 29/288,719, Applicant: Woo-Seung Han, et al., filed Jun. 21, 2007 entitled Portable Telephone.

U.S. Appl. No. 29/293,251, Applicant: Byung-Chan Lee, et al., filed Nov. 13, 2007 entitled Portable Telephone.

\* cited by examiner

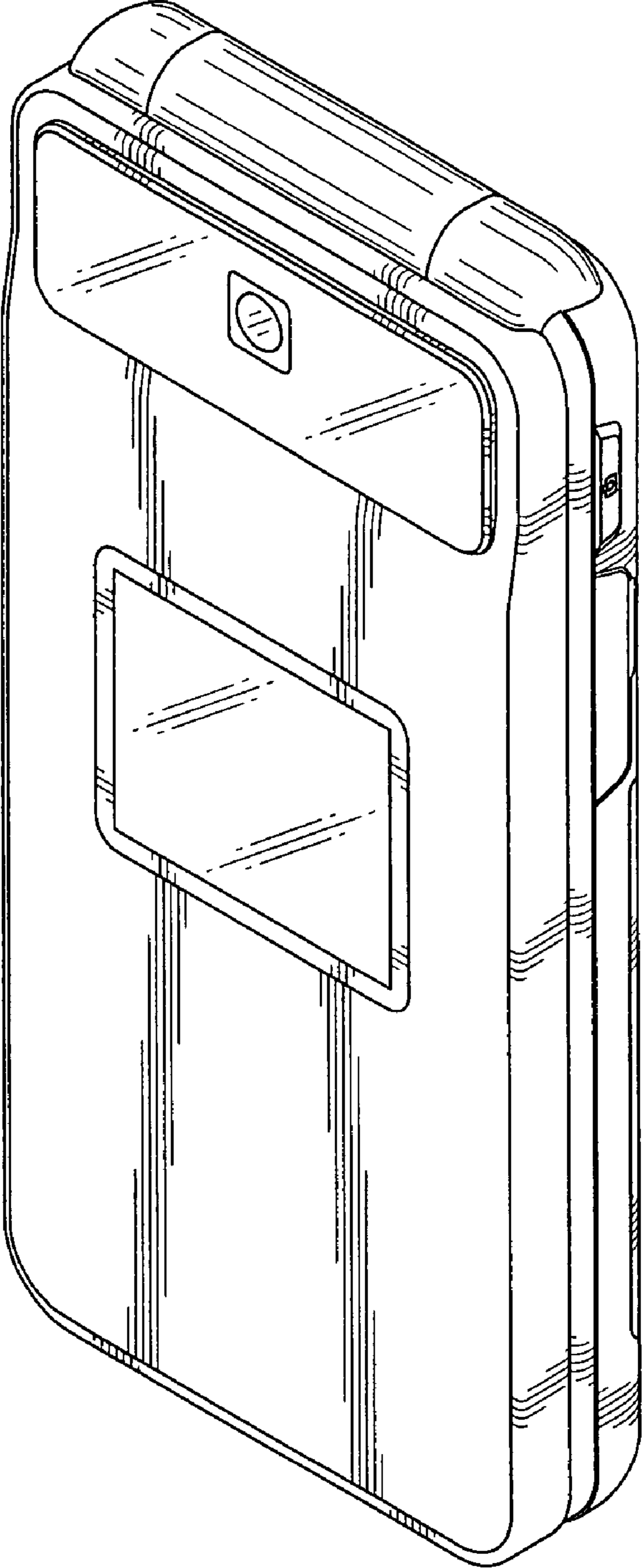


FIG. 1

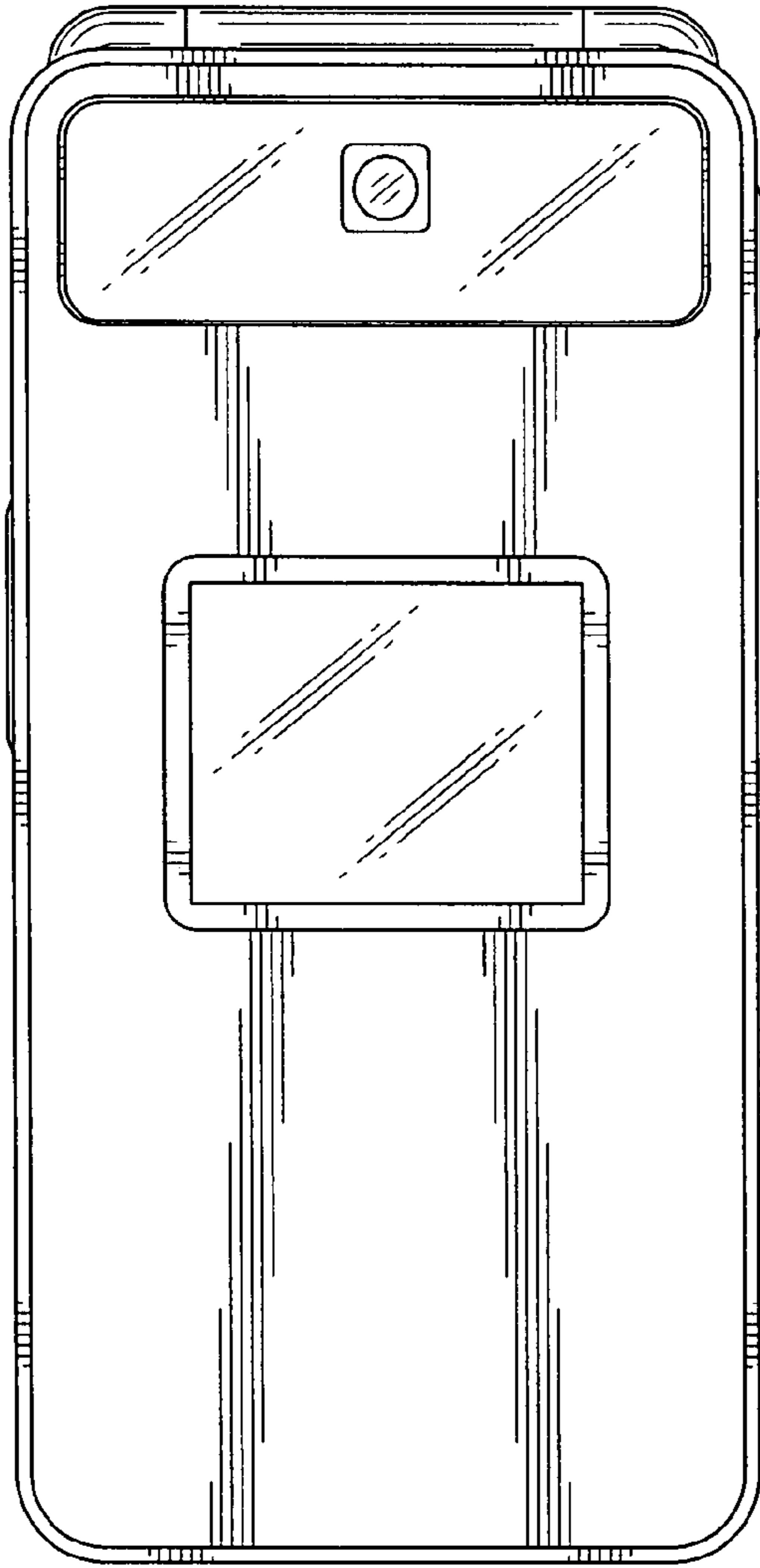


FIG. 2

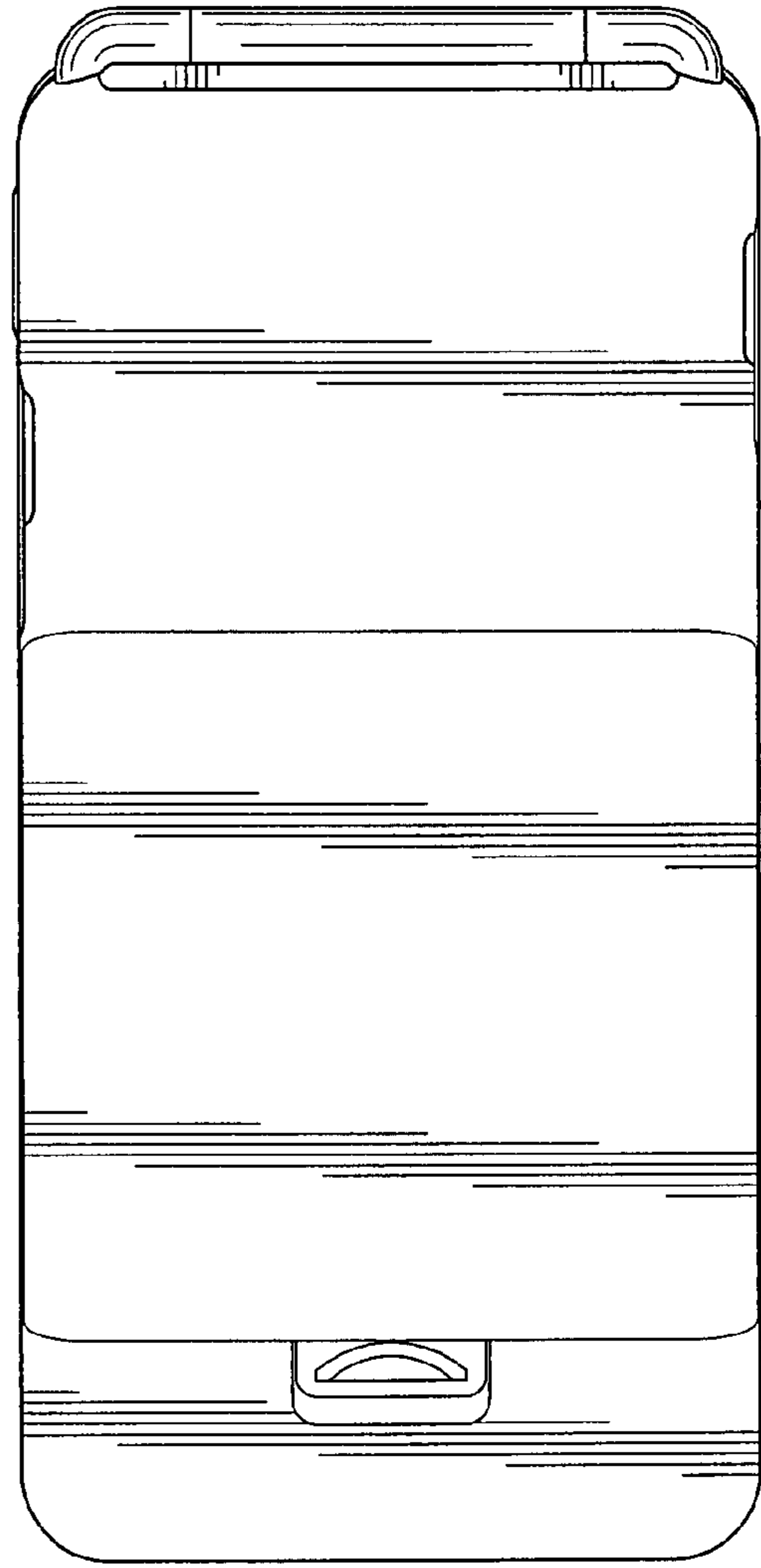


FIG. 3

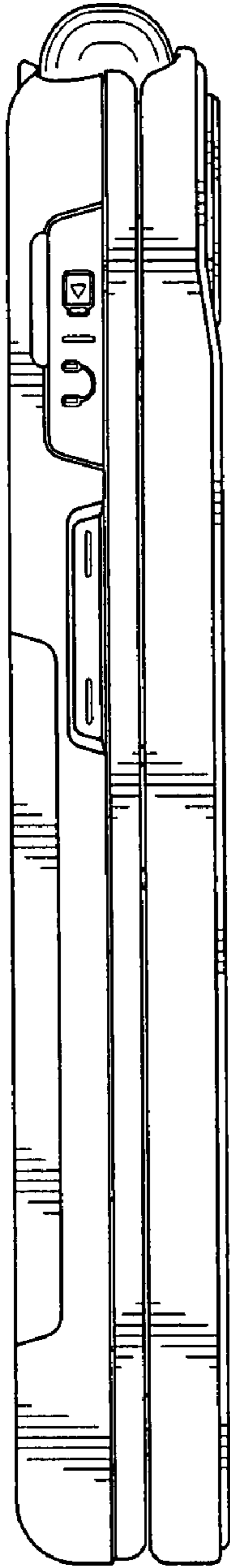


FIG. 4

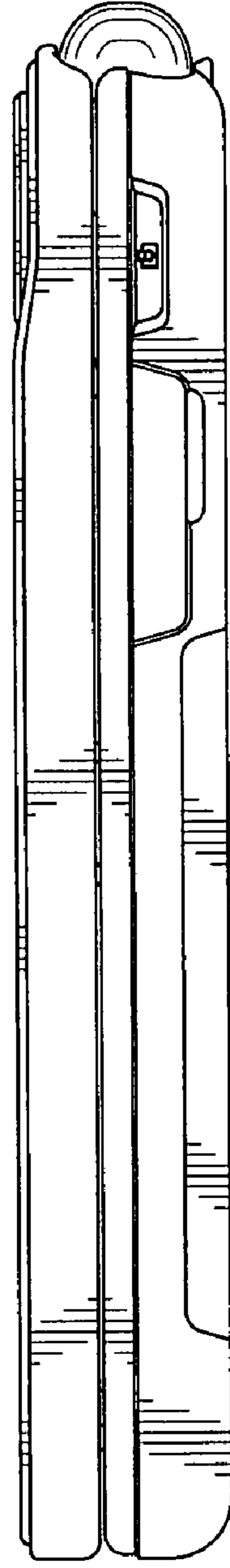


FIG. 5

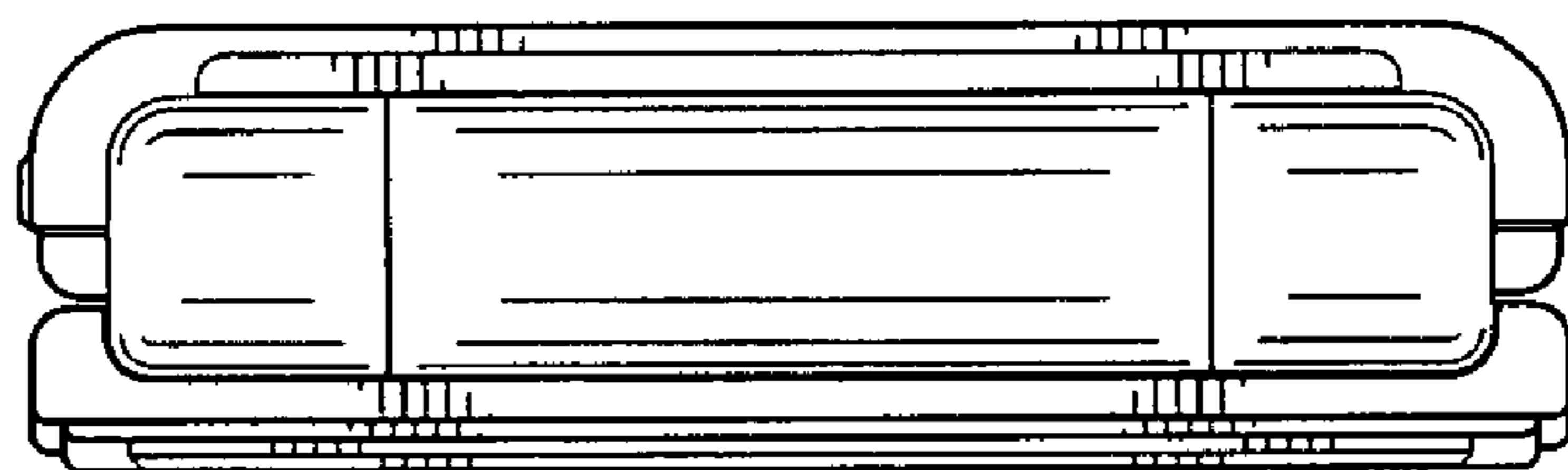


FIG. 6

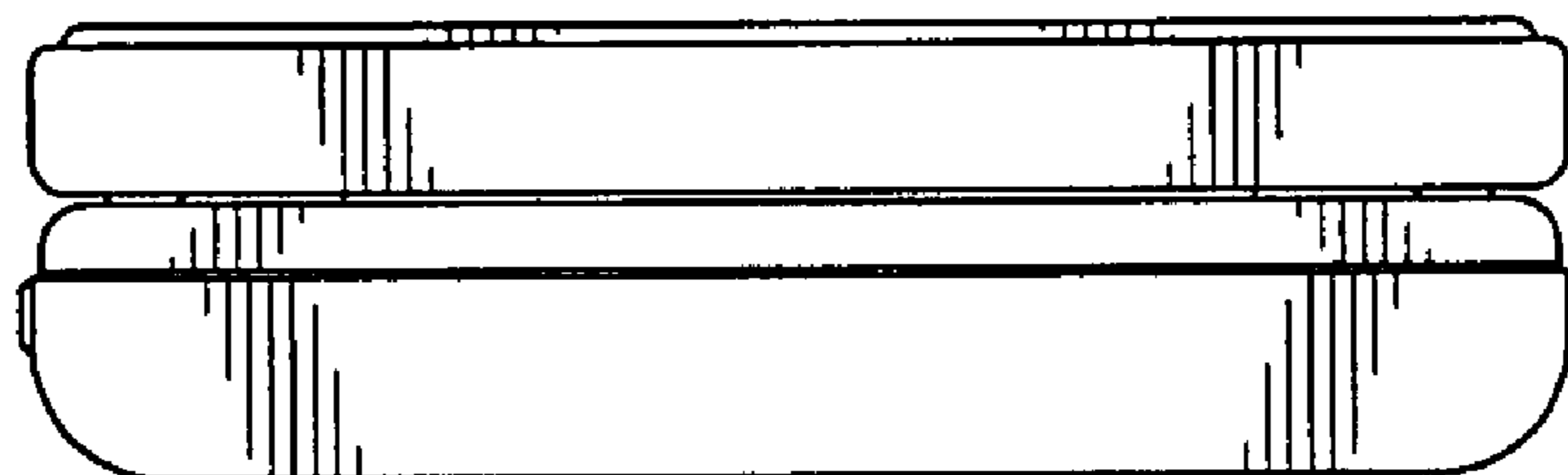


FIG. 7