

US00D571337S

(12) **United States Design Patent** (10) **Patent No.:** **US D571,337 S**  
**Lee et al.** (45) **Date of Patent:** **\*\* Jun. 17, 2008**

(54) **PORTABLE PHONE**

(75) Inventors: **Kyung Jin Lee**, Seoul (KR); **Joon Shu Kim**, Anyang-si (KR); **Chang-Soo Lee**, Incheon (KR)

(73) Assignee: **Samsung Electronics Co., Ltd.**, Suwon-Si (KR)

(\*\*) Term: **14 Years**

(21) Appl. No.: **29/270,025**

(22) Filed: **Dec. 14, 2006**

(30) **Foreign Application Priority Data**

Jun. 16, 2006 (KR) ..... 30-2006-0022620

(51) **LOC (8) Cl.** ..... **14-03**

(52) **U.S. Cl.** ..... **D14/138**

(58) **Field of Classification Search** ..... D14/138, D14/496, 341-347; 455/575.3, 575.1; D21/517  
See application file for complete search history.

(56) **References Cited**

**U.S. PATENT DOCUMENTS**

D500,480 S *	1/2005	Daw	.....	D14/138
D500,750 S *	1/2005	Arnholt et al.	.....	D14/138
D507,787 S *	7/2005	Ahn et al.	.....	D14/138
D519,098 S *	4/2006	Han et al.	.....	D14/138
D520,980 S *	5/2006	Taniyama et al.	.....	D14/138
D543,172 S *	5/2007	Lee et al.	.....	D14/138
D543,525 S *	5/2007	Kim et al.	.....	D14/138
D543,965 S *	6/2007	Lee et al.	.....	D14/138
D549,199 S *	8/2007	Sugiura	.....	D14/138
D551,642 S *	9/2007	Kim et al.	.....	D14/138
D552,065 S *	10/2007	Kim et al.	.....	D14/138
D552,067 S *	10/2007	Han et al.	.....	D14/138
D554,094 S *	10/2007	Ribeiro et al.	.....	D14/138
D555,129 S *	11/2007	Han et al.	.....	D14/138
D558,711 S *	1/2008	Moon et al.	.....	D14/138
D559,218 S *	1/2008	Park et al.	.....	D14/138

(Continued)

**OTHER PUBLICATIONS**

Samsung E780 telephone, announced 1st quarter 2006, [online], [site visited Feb. 28, 2008]. Available from Internet ,<URL: http://www.gsmarena.com>.\*

Samsung U300 telephone, announced Mar. 2007, [online], [site visited Feb. 28, 2008]. Available from Internet ,<URL: http://www.gsmarena.com>.\*

Samsung Z560 telephone, announced Feb. 2006, [online], [site visited Feb. 28, 2008]. Available from Internet ,<URL: http://www.gsmarena.com>.\*

LG U830 telephone, announced Oct. 2006, [online], [site visited Feb. 28, 2008]. Available from Internet ,<URL: http://www.gsmarena.com>.\*

LG KG810 telephone, announced May 2006, [online], [site visited Feb. 28, 2008]. Available from Internet ,<URL: http://www.gsmarena.com>.\*

Motorola V3x telephone, announced 1<sup>st</sup> quarter 2005, [online], [site visited Feb. 28, 2008]. Available from Internet ,<URL: http://www.gsmarena.com>.\*

*Primary Examiner*—Jeffrey D Asch

(74) *Attorney, Agent, or Firm*—Staas & Halsey LLP

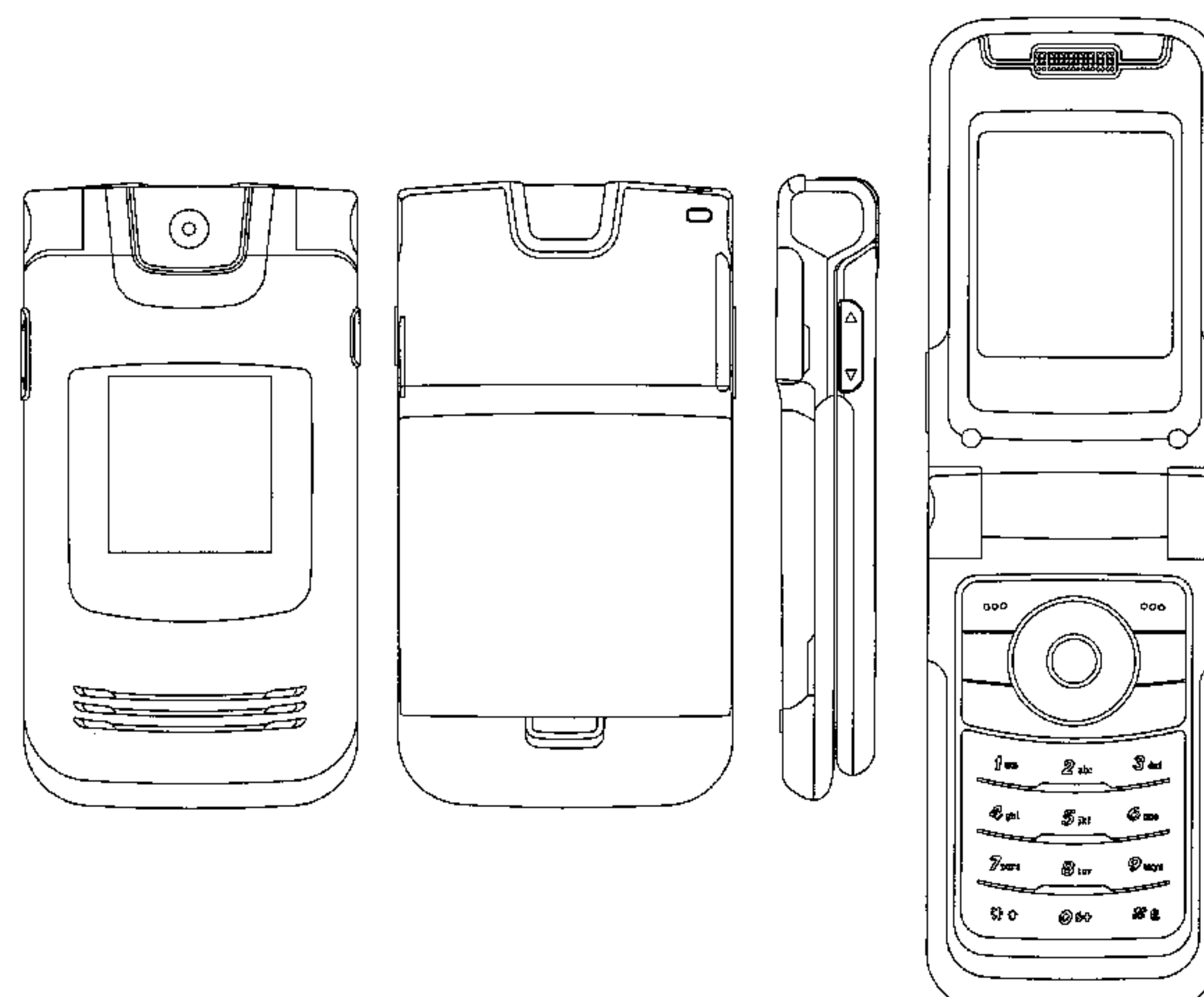
(57) **CLAIM**

The ornamental design for the portable phone, as shown and described.

**DESCRIPTION**

FIG. 1 is a perspective view of a portable phone;  
FIG. 2 is a front view of the portable phone of FIG. 1;  
FIG. 3 is a rear view of the portable phone of FIG. 1;  
FIG. 4 is a left-side view of the portable phone of FIG. 1;  
FIG. 5 is a right-side view of the portable phone of FIG. 1;  
FIG. 6 is a top plan view of the portable phone of FIG. 1;  
FIG. 7 is a bottom plan view of the portable phone of FIG. 1; and,  
FIG. 8 is a front open view of the portable phone of FIG. 1.

**1 Claim, 5 Drawing Sheets**



# US D571,337 S

Page 2

---

## U.S. PATENT DOCUMENTS

D560,189 S *	1/2008	Kim et al. ....	D14/138	D563,358 S *	3/2008	Baik et al. ....	D14/138
D560,639 S *	1/2008	Kim et al. ....	D14/138	D563,376 S *	3/2008	Arnholt et al. ....	D14/138
D561,150 S *	2/2008	Kim et al. ....	D14/138	2004/0142734 A1 *	7/2004	Kim .....	455/575.1
D561,718 S *	2/2008	Kim et al. ....	D14/138	2006/0111163 A1 *	5/2006	Oh .....	455/575.7
D563,348 S *	3/2008	Park et al. ....	D14/138	2007/0281759 A1 *	12/2007	Choi .....	455/575.1

\* cited by examiner

FIG. 1

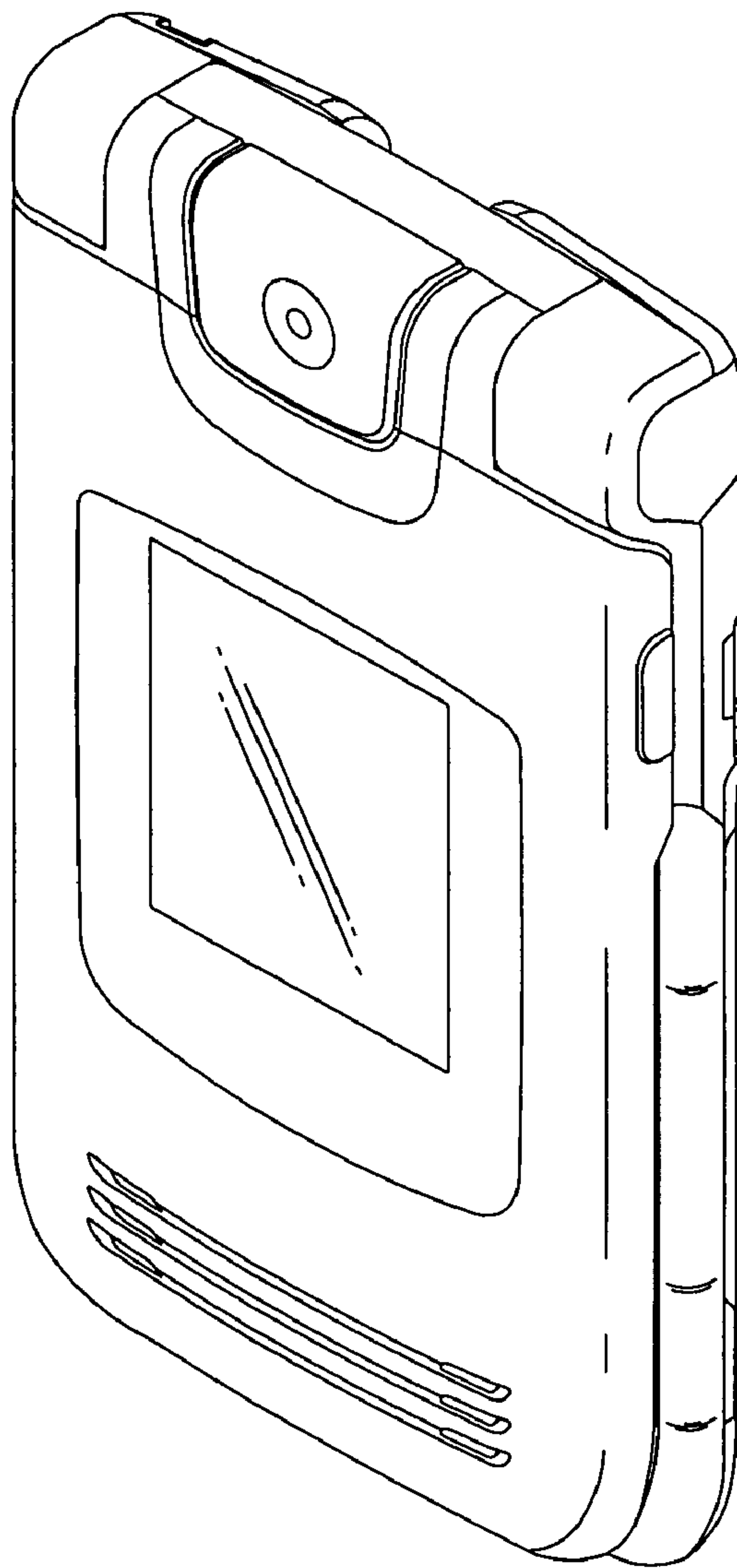


FIG. 2

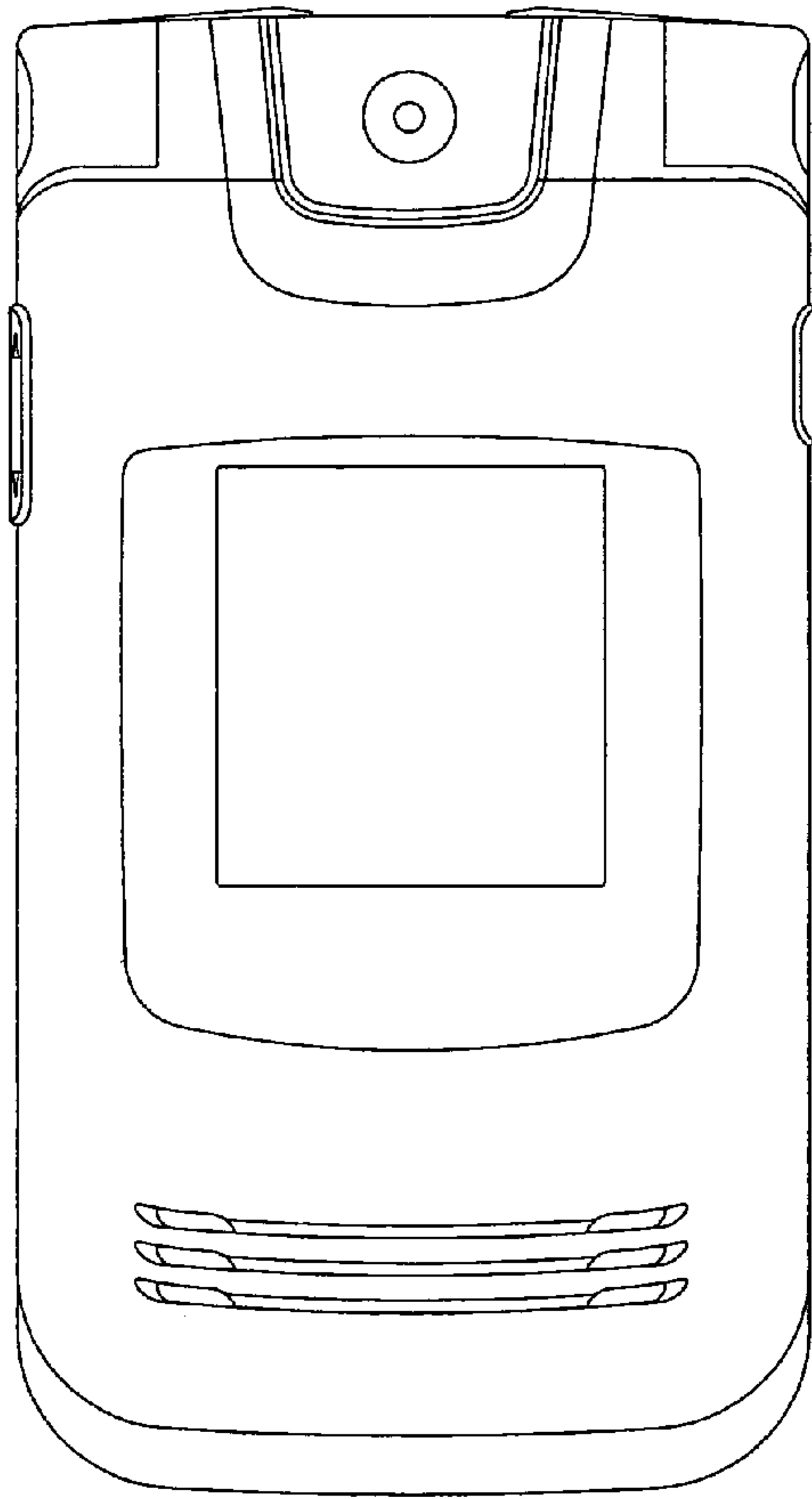


FIG. 3

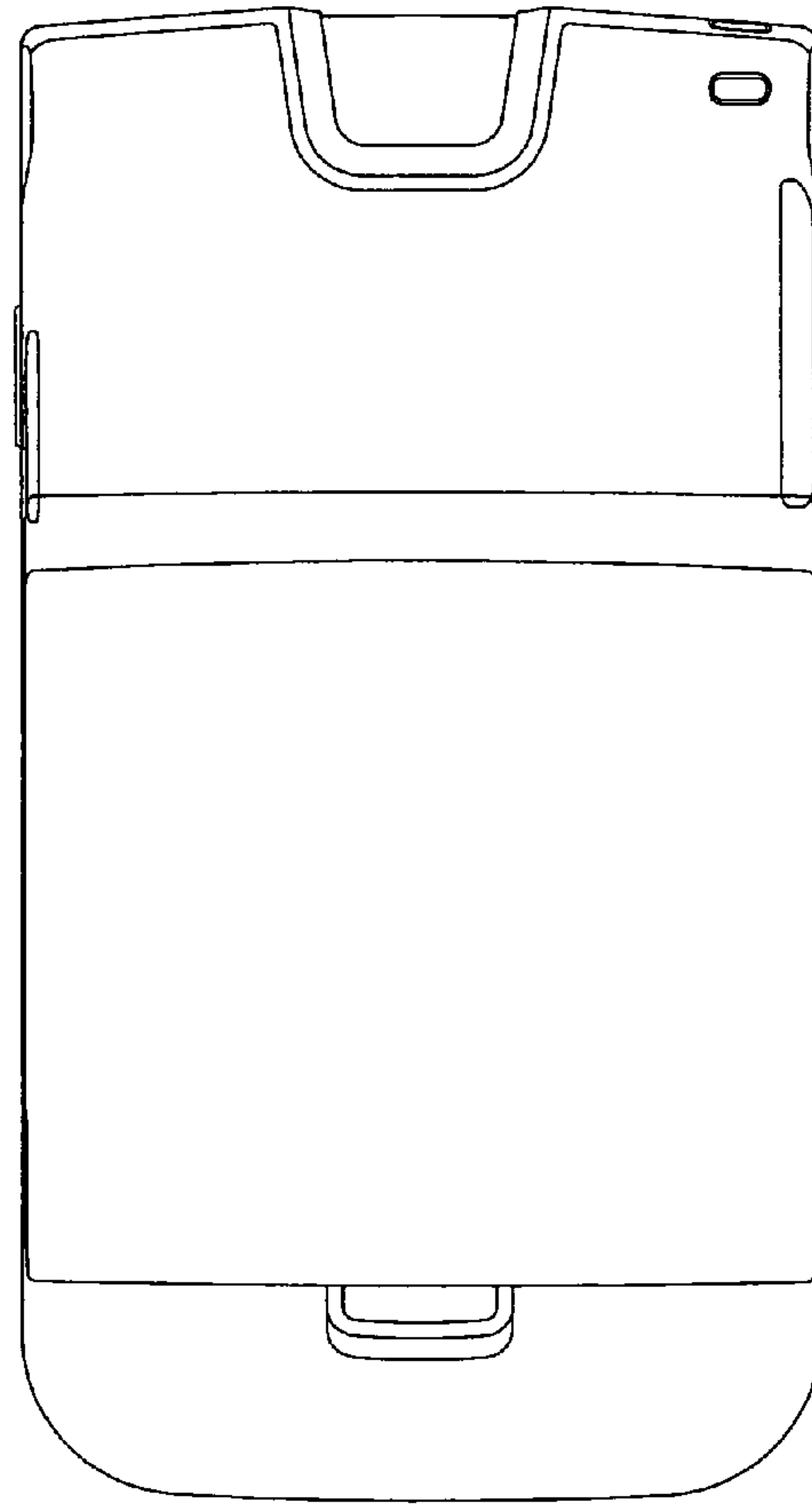


FIG. 4

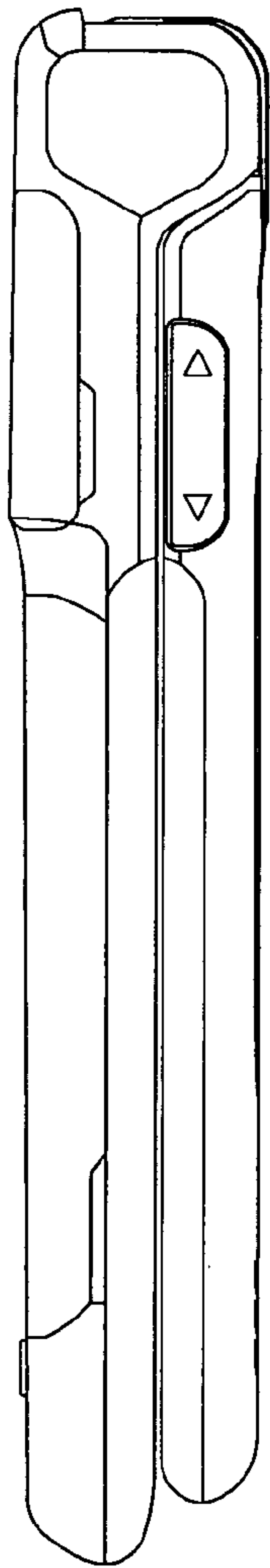


FIG. 5

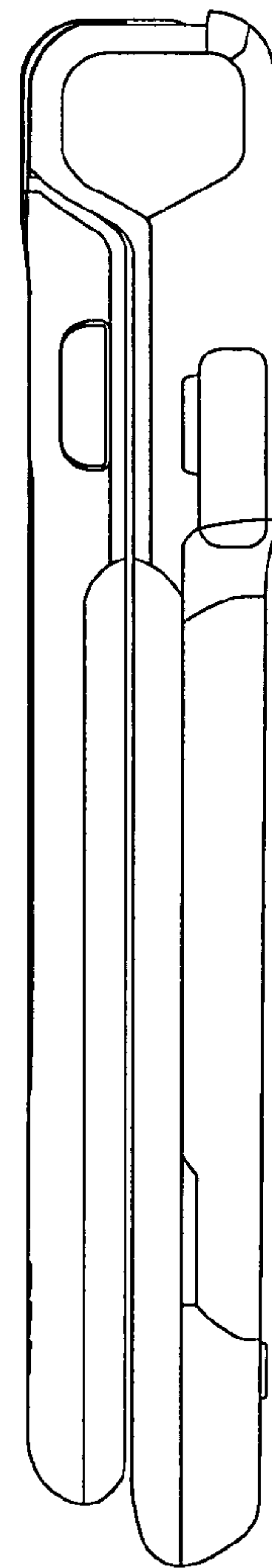


FIG. 6

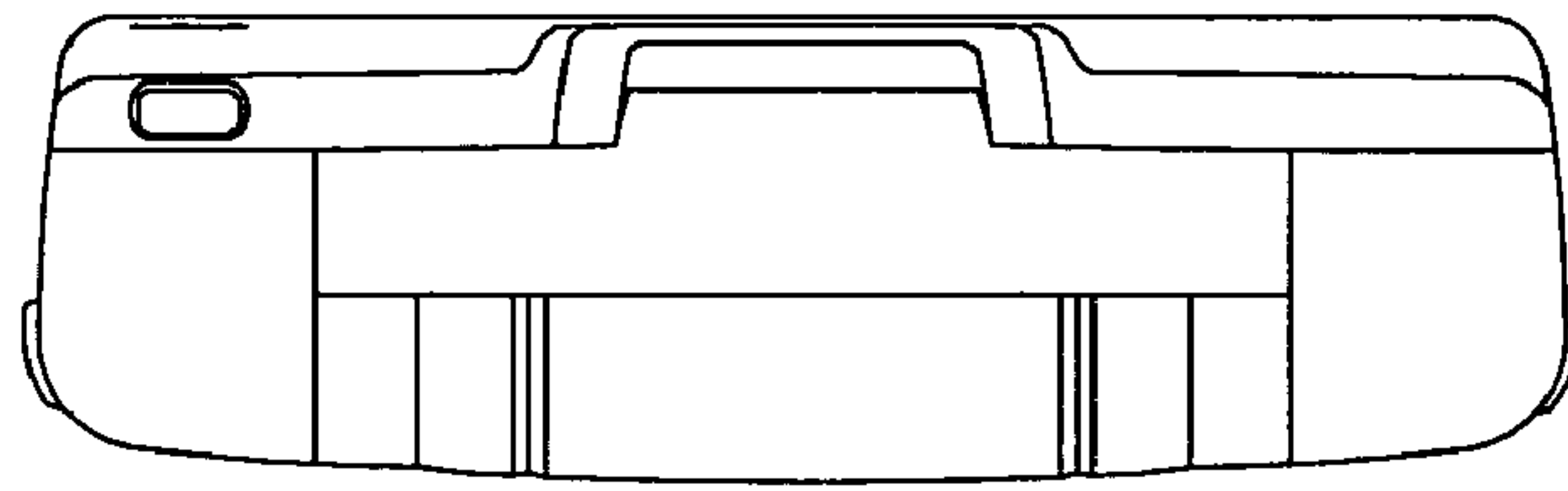


FIG. 7

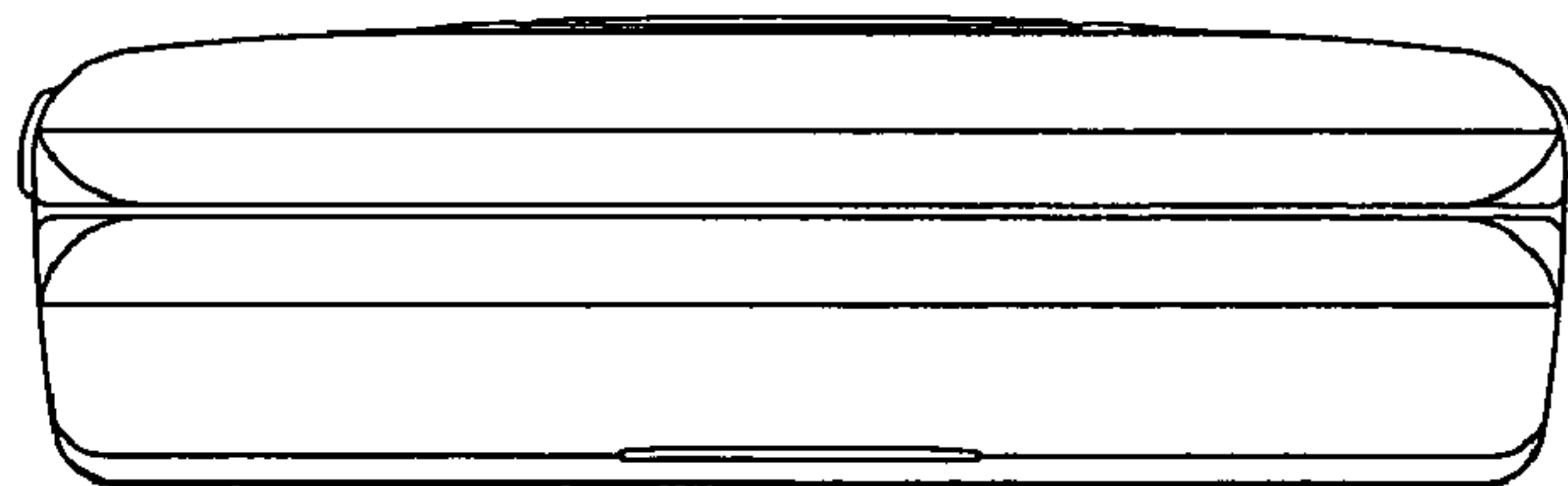


FIG. 8

