



US00D571332S

(12) **United States Design Patent**
Lee et al.

(10) **Patent No.:** **US D571,332 S**
(45) **Date of Patent:** **** Jun. 17, 2008**

- (54) **PORTABLE PHONE FOR AN EARPIECE**
- (75) Inventors: **Suk-Woo Lee**, Seoul (KR); **Jung-Hyeok Im**, Gyeonggi-do (KR); **Min-Hyouk Lee**, Suwon-si (KR); **Chang-Hwan Hwang**, Goyang-Si (KR)
- (73) Assignee: **Samsung Electronics Co., Ltd.**, Suwon-Si (KR)

D525,987 S *	8/2006	Kim	D14/496
D527,015 S *	8/2006	Yang	D14/496
D528,528 S *	9/2006	Moon et al.	D14/138
D530,297 S *	10/2006	Moon et al.	D14/138
D534,888 S *	1/2007	Kim et al.	D14/138
D546,345 S *	7/2007	Kim et al.	D14/496
D555,169 S *	11/2007	Shimizu et al.	D14/496
D557,705 S *	12/2007	Gifford et al.	D14/496
2006/0121852 A1 *	6/2006	Kim et al.	455/41.2

* cited by examiner

Primary Examiner—Ian Simmons
Assistant Examiner—Carla Jobe Wright
(74) *Attorney, Agent, or Firm*—Staas & Halsey LLP

- (**) Term: **14 Years**
- (21) Appl. No.: **29/264,355**
- (22) Filed: **Aug. 9, 2006**

- (30) **Foreign Application Priority Data**
Feb. 10, 2006 (KR) 30-2006-0005161

- (51) **LOC (8) Cl.** **14-03**
- (52) **U.S. Cl.** **D14/138**
- (58) **Field of Classification Search** D14/137–138, D14/143–144, 147–148, 156, 160, 192, 205–206, D14/218, 247–249, 341–347, 496, 390, 399, D14/455, 456; D16/208; D21/329, 331, D21/333, 517; 348/14.01–14.02; 361/814; 379/433.01–433.13; 455/90.3, 556.1–556.2, 455/566, 575.1, 575.3, 575.4; D13/164, D13/168; 439/165; 343/702; D10/104
See application file for complete search history.

- (56) **References Cited**
U.S. PATENT DOCUMENTS

D469,109 S *	1/2003	Andre et al.	D14/496
D486,813 S *	2/2004	Chun	D14/156
D489,052 S *	4/2004	Shiraki et al.	D14/156
D521,023 S *	5/2006	Kim et al.	D14/496

(57) **CLAIM**

The ornamental design for a portable phone for an earpiece, as shown and described.

DESCRIPTION

FIG. 1 is a perspective view of the portable phone for an earpiece showing our design;
 FIG. 2 is a front view thereof;
 FIG. 3 is a rear view thereof;
 FIG. 4 is a left side view thereof;
 FIG. 5 is a right side view thereof;
 FIG. 6 is a top plan view thereof;
 FIG. 7 is a bottom plan view thereof; and,
 FIG. 8 is a front view thereof showing the portable phone for an earpiece attached to a necklace-type connection.

The broken line showing of environmental structures is for illustrative purposes only and forms no part of the claimed design.

1 Claim, 5 Drawing Sheets

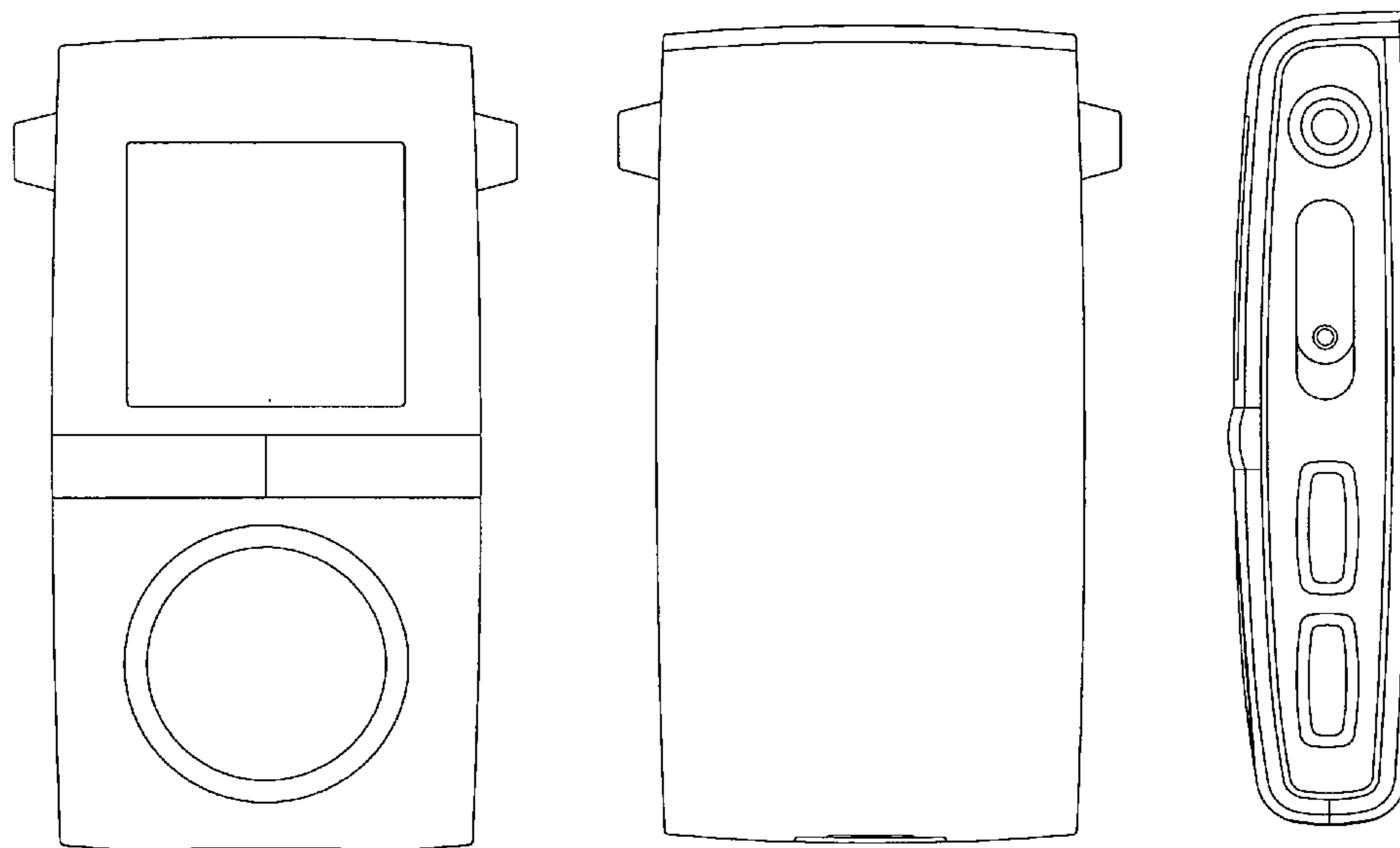


FIGURE 1

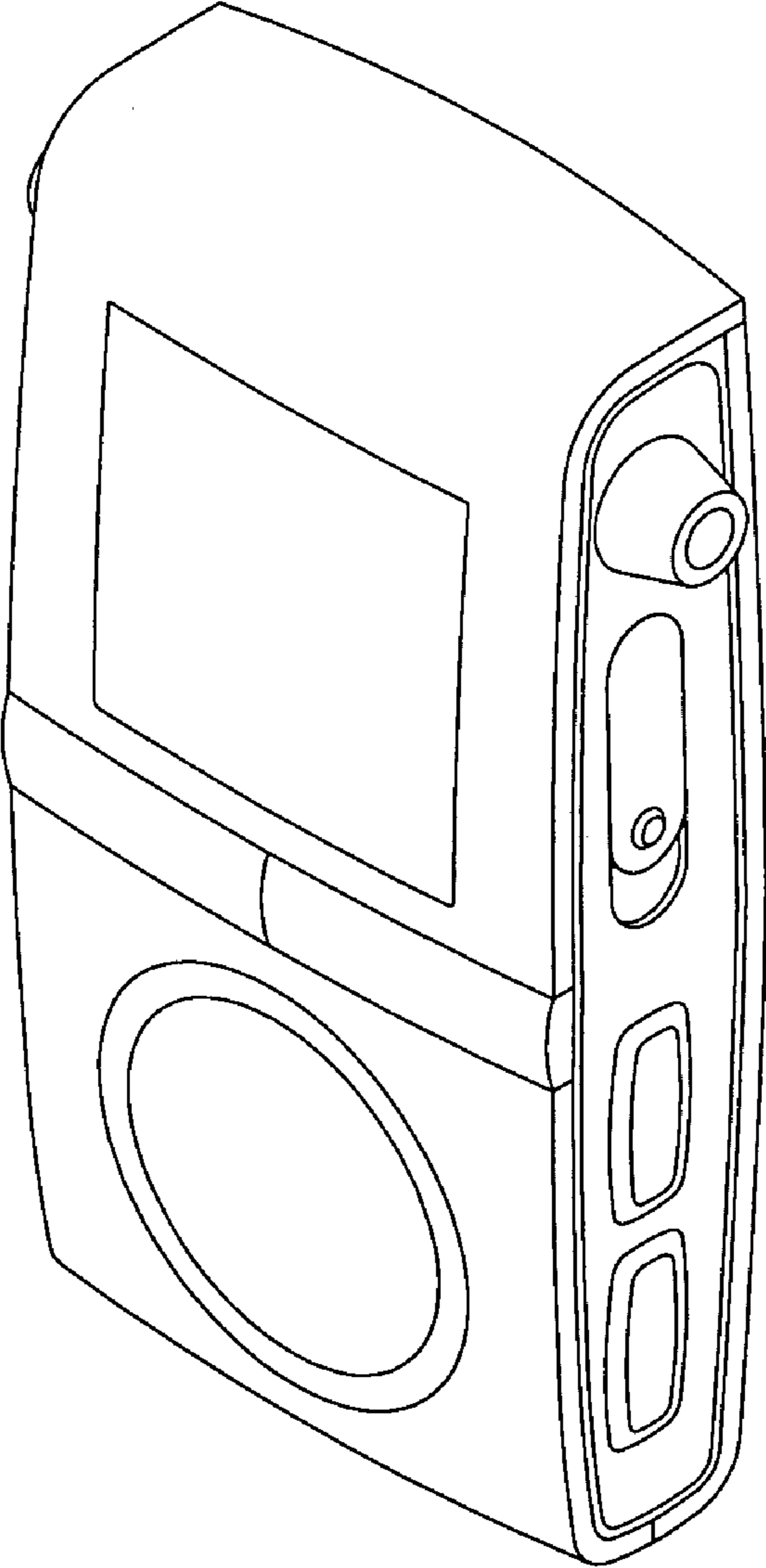


FIGURE 2

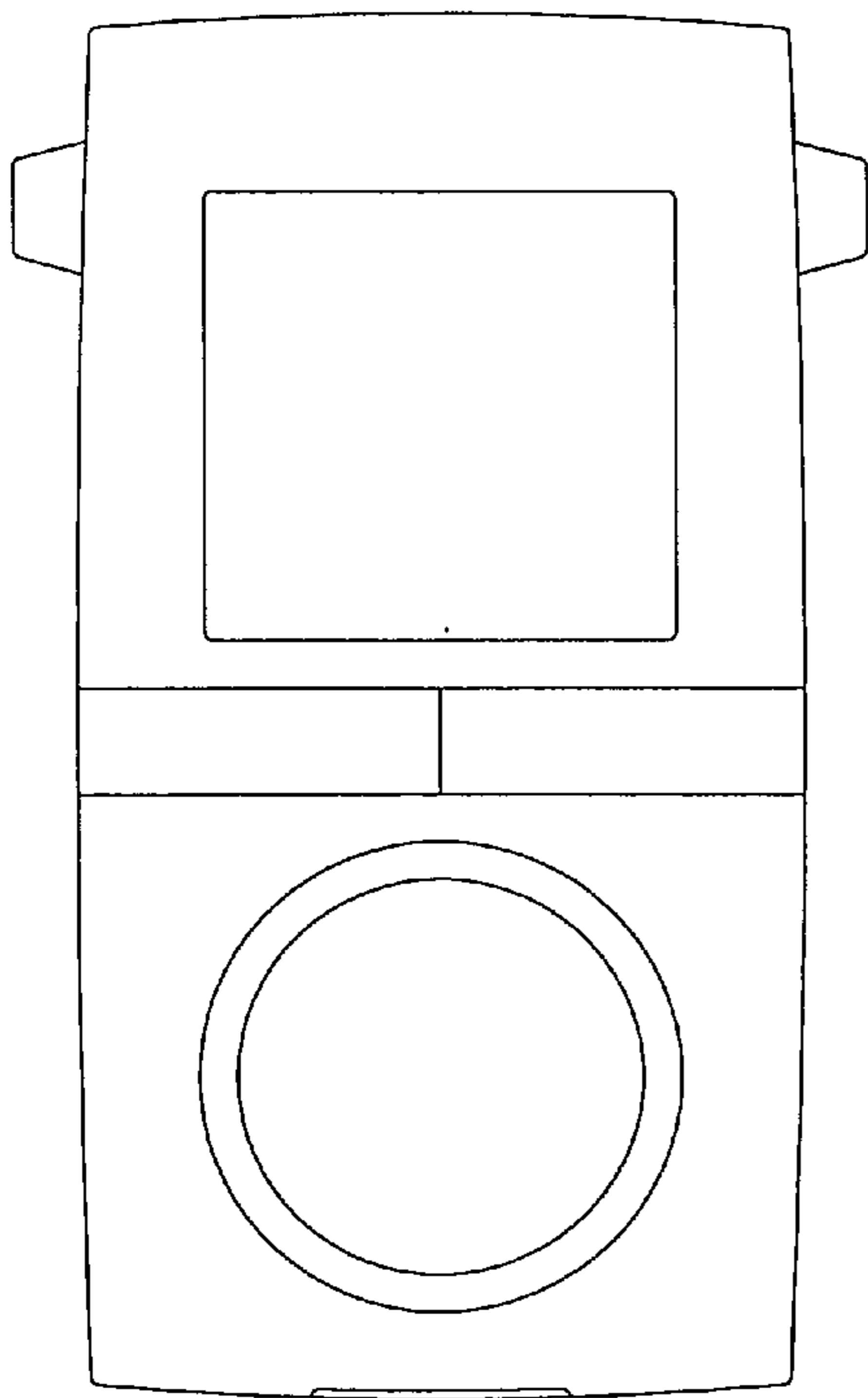


FIGURE 3

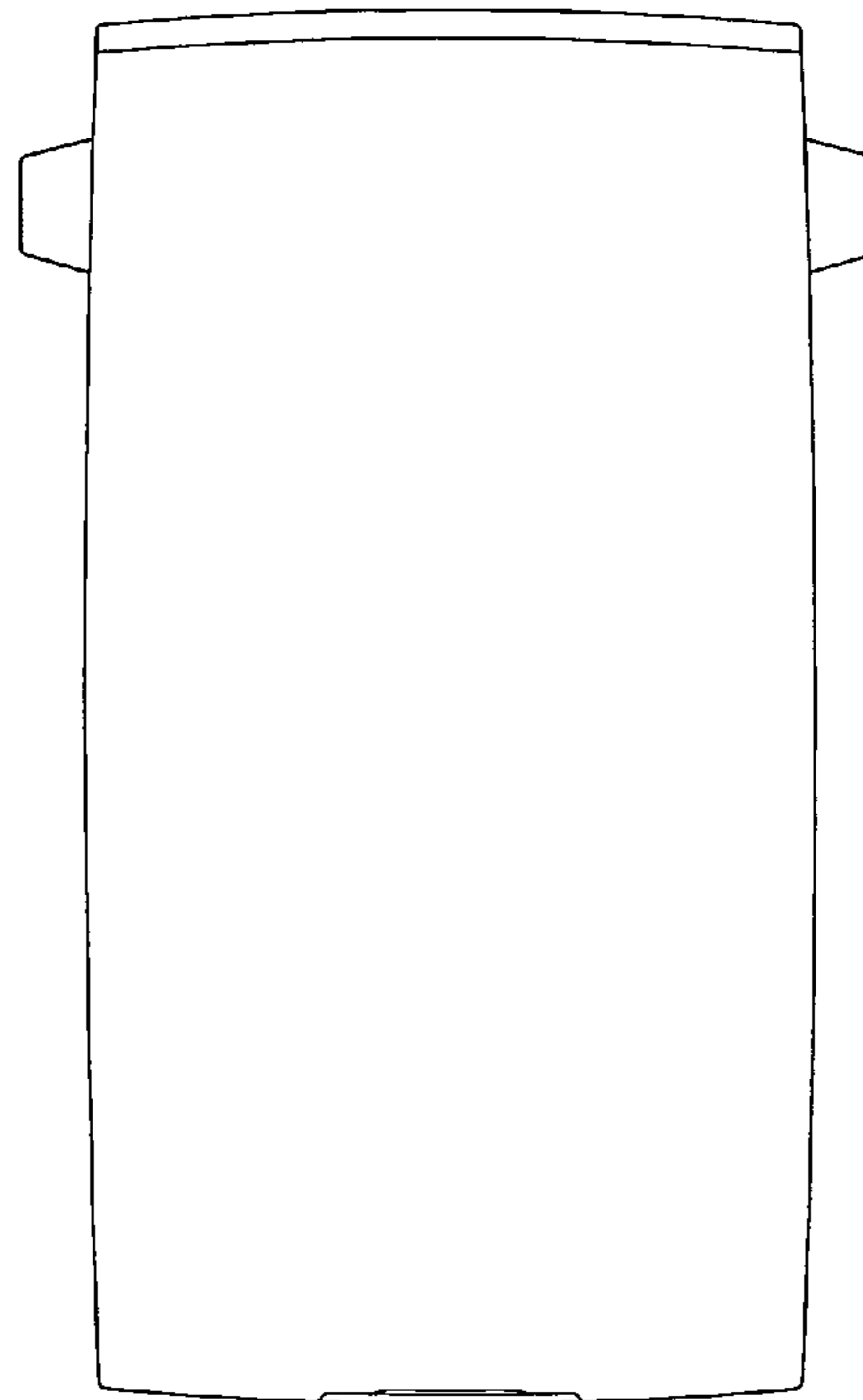


FIGURE 4

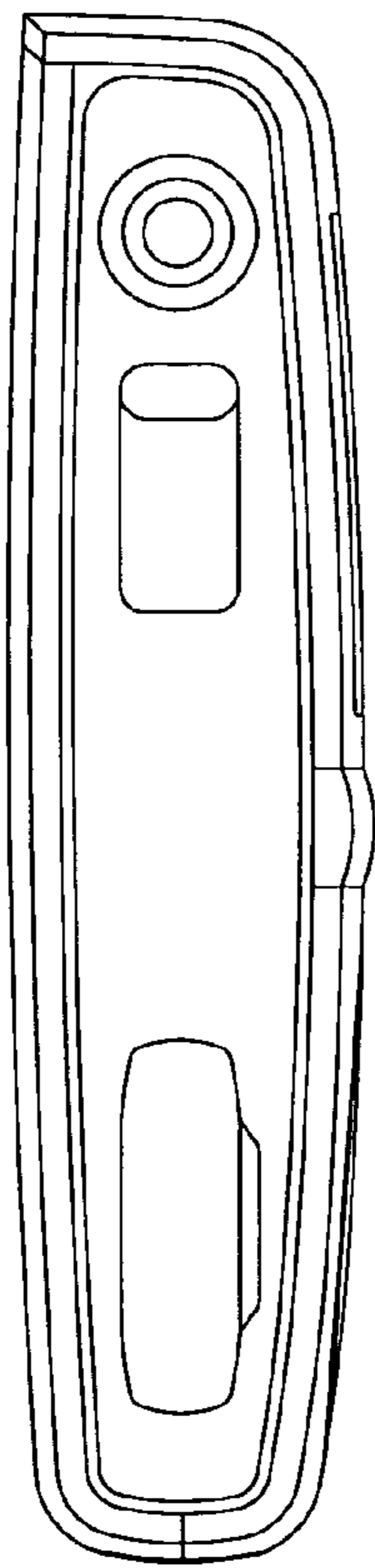


FIGURE 5

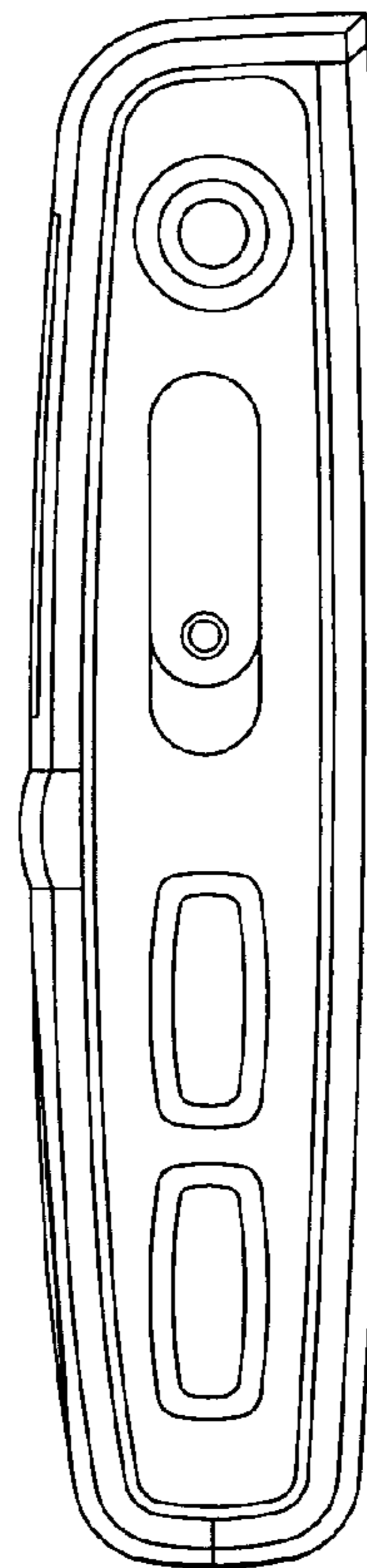


FIGURE 6

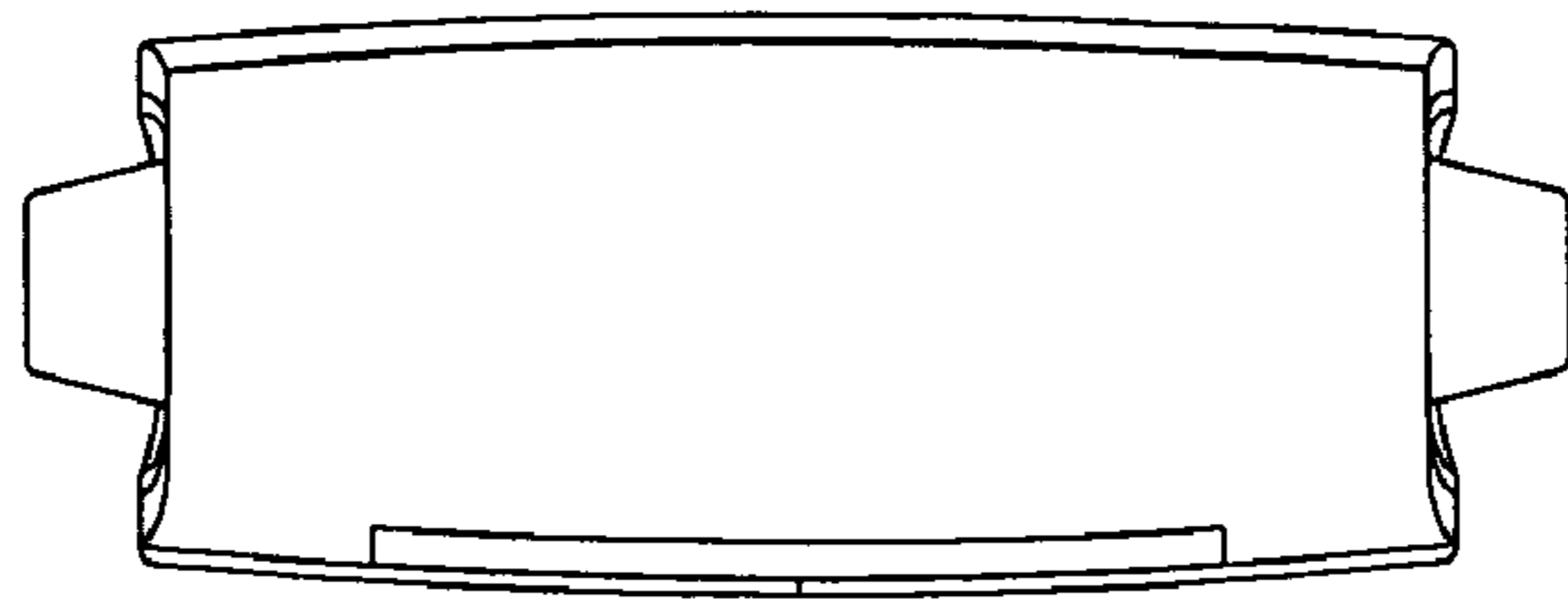


FIGURE 7

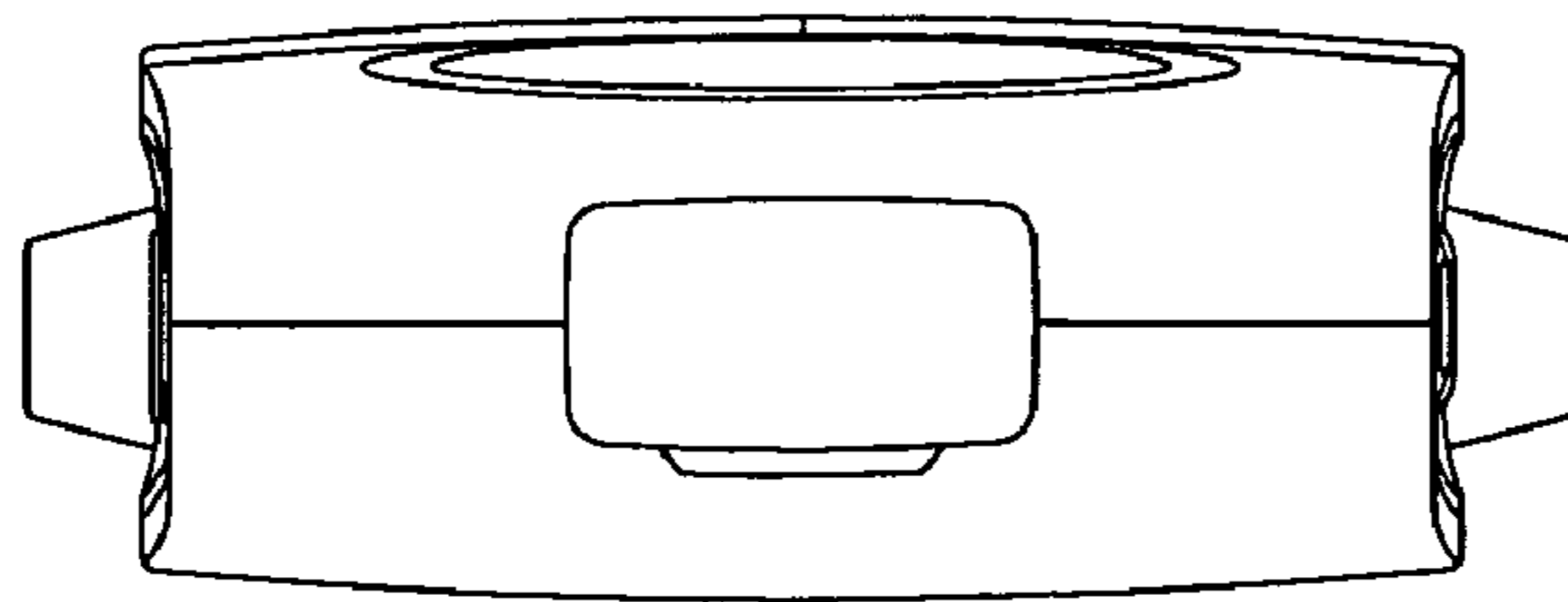


FIGURE 8

