



US00D571326S

(12) **United States Design Patent**  
**Ogura**

(10) **Patent No.:** **US D571,326 S**

(45) **Date of Patent:** **\*\* Jun. 17, 2008**

(54) **DISC PLAYER**

(75) Inventor: **Hajime Ogura**, Tokyo (JP)

(73) Assignee: **Sony Corporation**, Tokyo (JP)

(\*\*) Term: **14 Years**

(21) Appl. No.: **29/274,268**

(22) Filed: **Apr. 10, 2007**

(51) **LOC (8) Cl.** ..... **14-01**

(52) **U.S. Cl.** ..... **D14/136**

(58) **Field of Classification Search** ..... D14/135-136,  
D14/156-157, 167-168, 257-258, 198, 188,  
D14/217, 445; 360/99.02, 99.07; 369/75.11,  
369/75.21, 77.21, 77.11; 720/612, 619, 647,  
720/655; 455/344, 347-351

See application file for complete search history.

(56) **References Cited**

**U.S. PATENT DOCUMENTS**

D356,082 S *	3/1995	Ogawa et al.	.....	D14/135
5,859,828 A *	1/1999	Ishibashi	.....	720/655
D502,696 S	3/2005	Ishibashi		
D505,931 S	6/2005	Oikawa		
D511,757 S *	11/2005	Wu	.....	D14/136

D512,037 S \* 11/2005 Huang ..... D14/136

D513,507 S \* 1/2006 Tsuge ..... D14/156

D518,020 S 3/2006 Ishibashi

D532,781 S 11/2006 Ohno

D547,286 S \* 7/2007 Yuyama ..... D14/136

\* cited by examiner

*Primary Examiner*—Nanda Bondade

(74) *Attorney, Agent, or Firm*—Rader, Fishman & Grauer, PLLC

(57) **CLAIM**

The ornamental design for a disc player, as shown.

**DESCRIPTION**

FIG. 1 is a perspective view of a disc player showing my new design;

FIG. 2 is a front elevational view thereof;

FIG. 3 is a rear elevational view thereof;

FIG. 4 is a left side elevational view thereof;

FIG. 5 is a right side elevational view thereof;

FIG. 6 is a top plan view thereof; and,

FIG. 7 is a bottom plan view thereof.

**1 Claim, 7 Drawing Sheets**

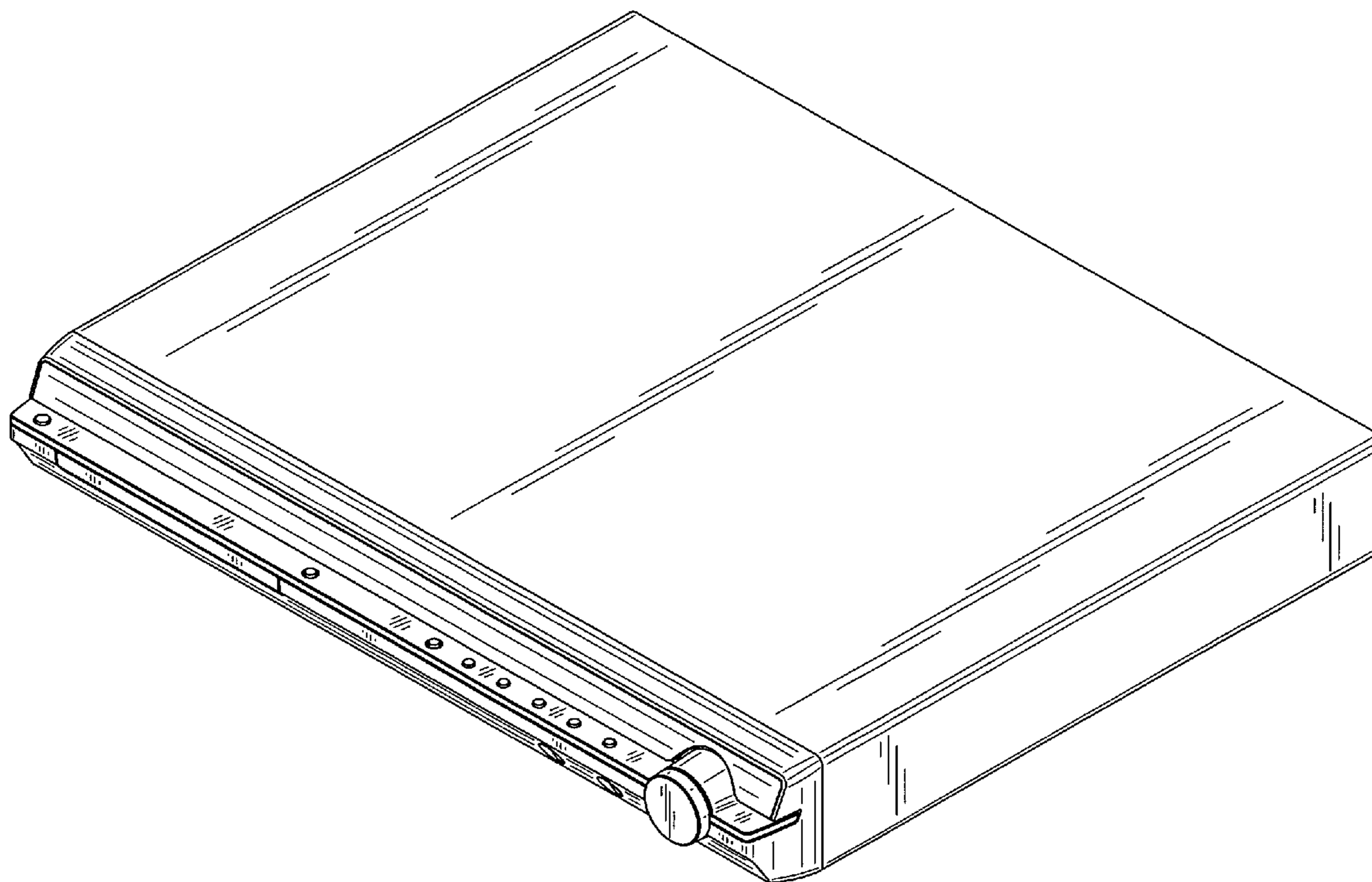


Fig.1

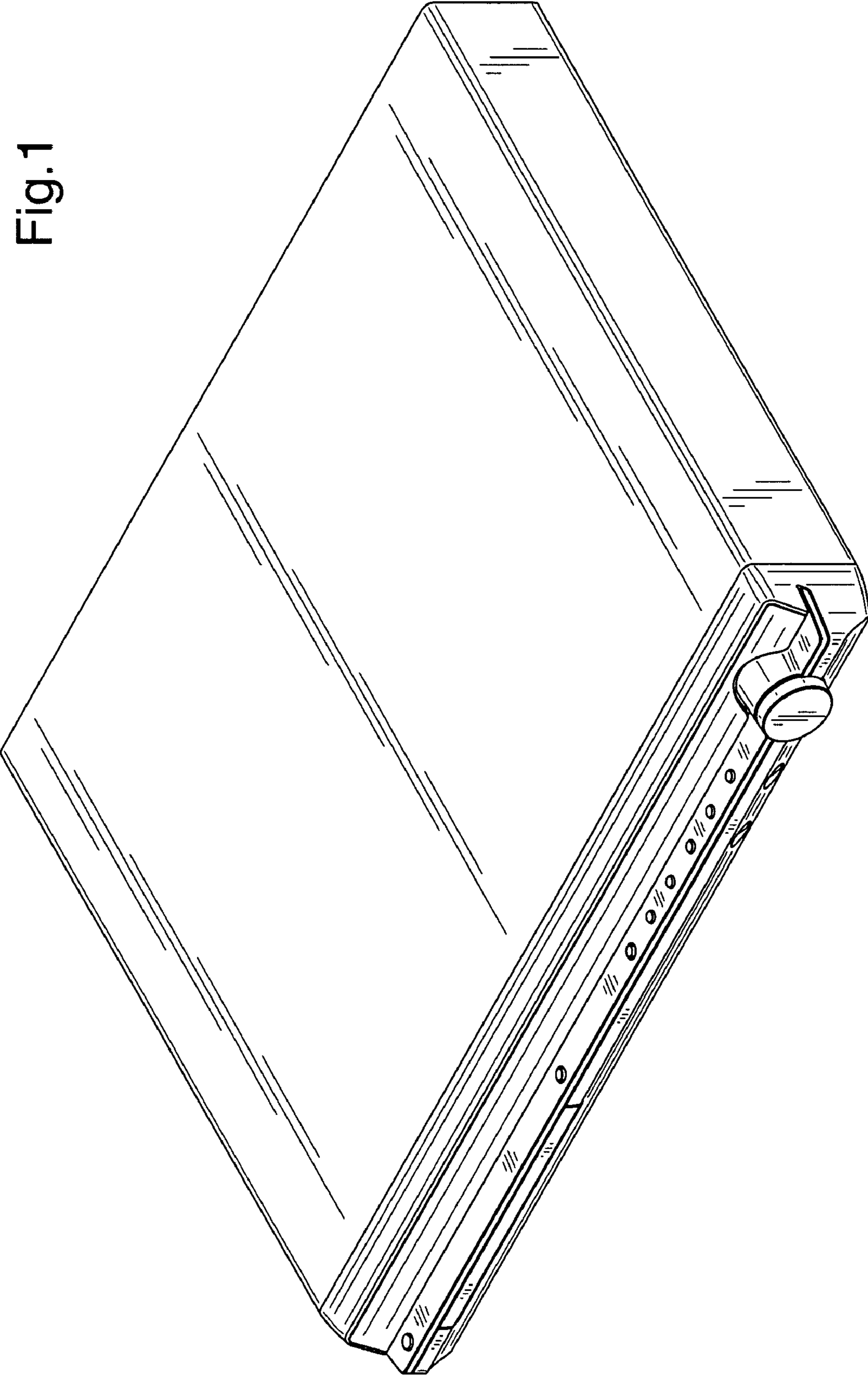


Fig.2

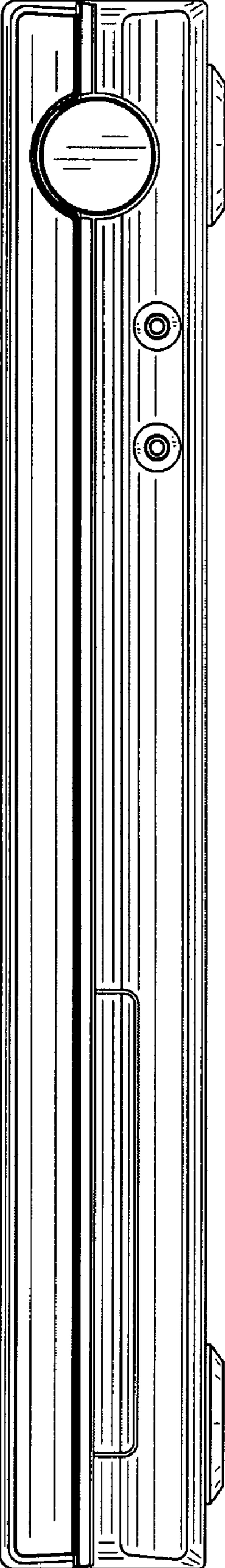


Fig.3

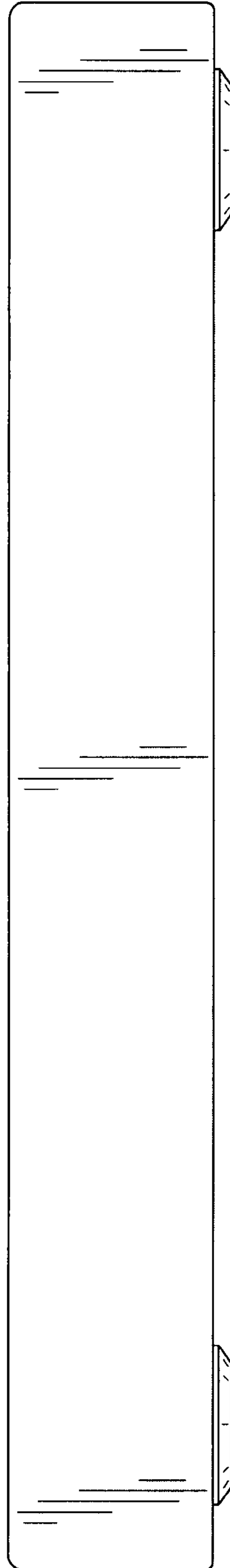


Fig.4

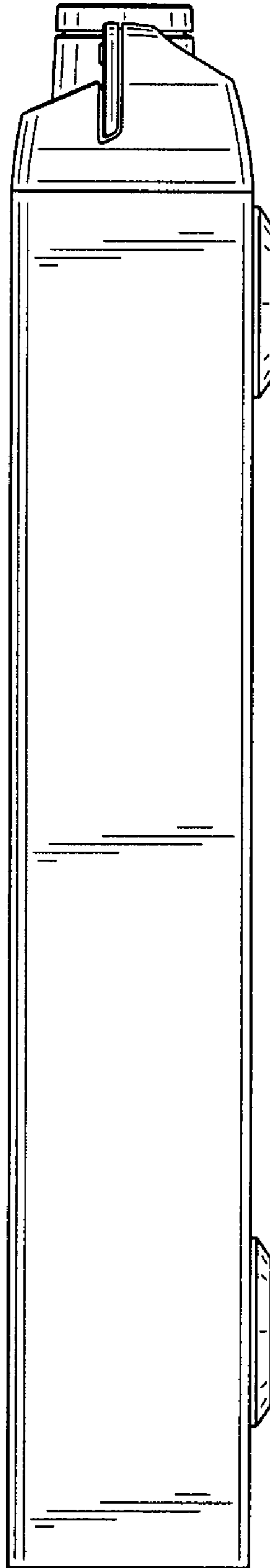
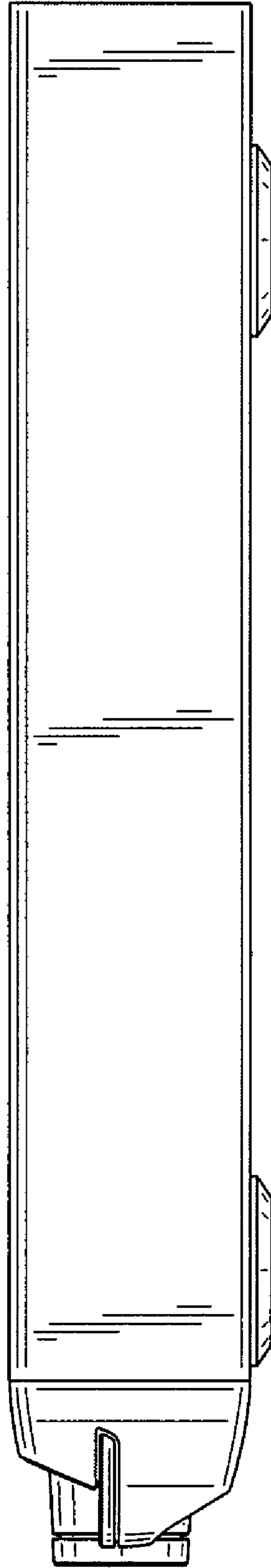


Fig.5



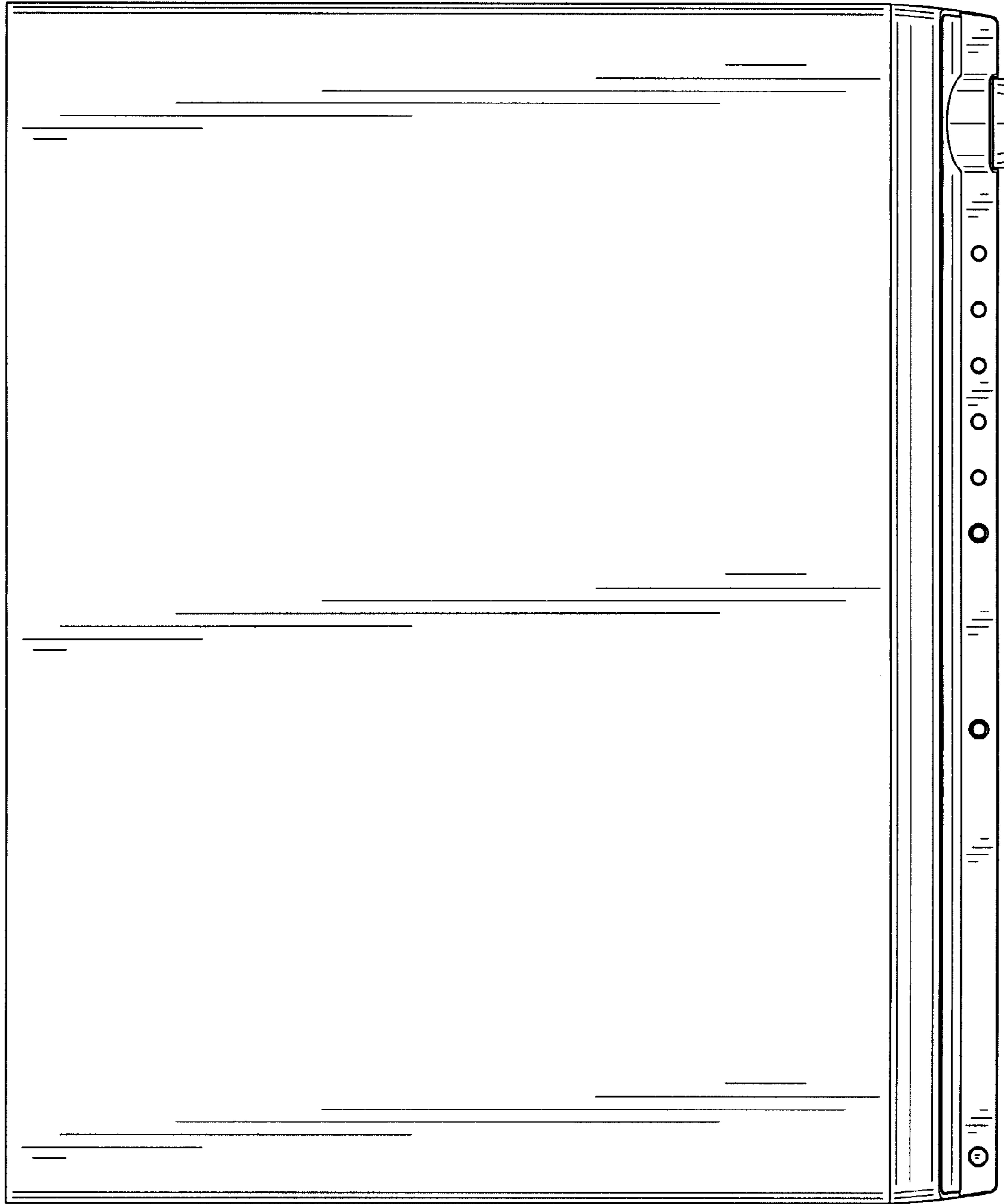


Fig.6



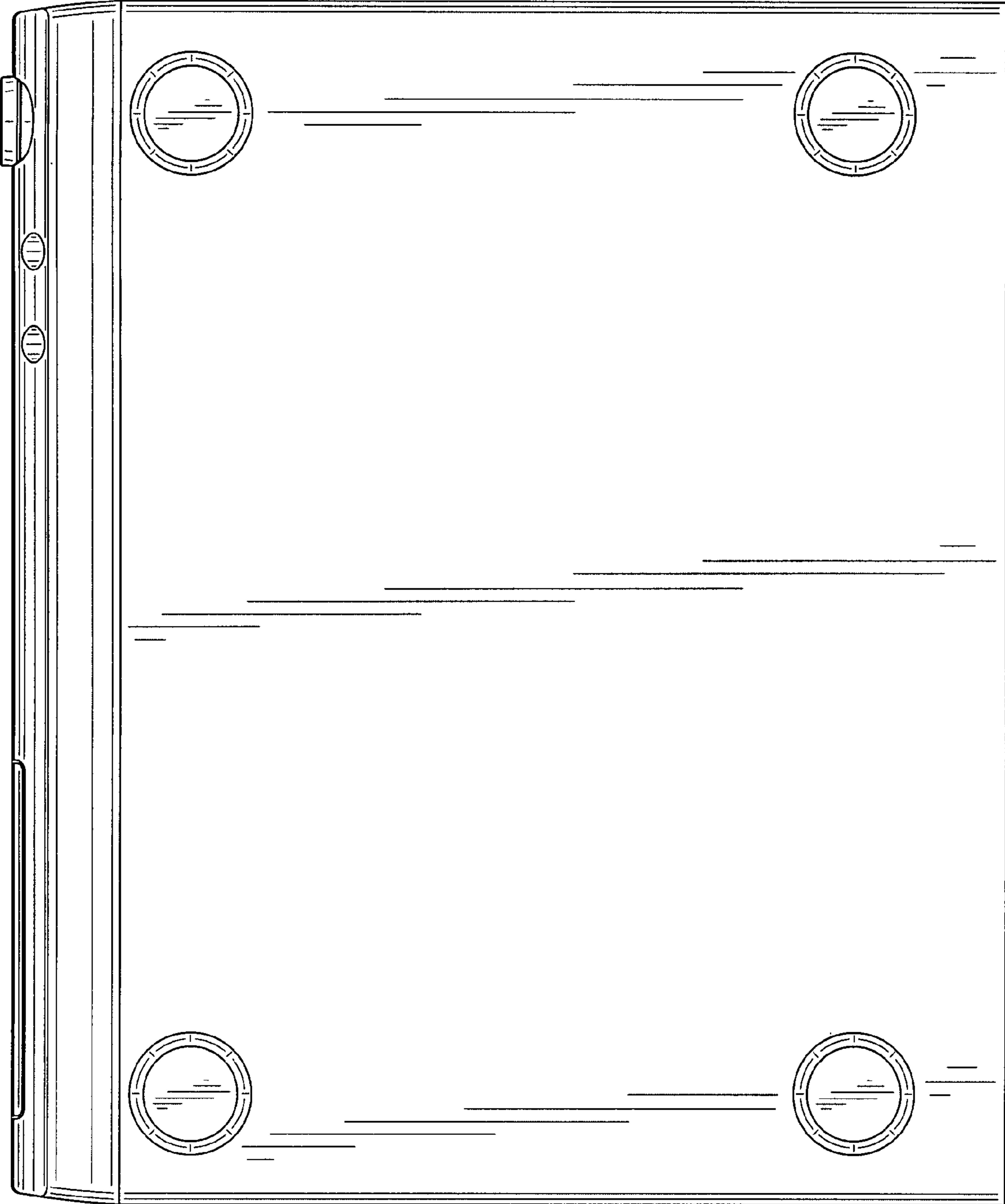


Fig. 7