



US00D571325S

(12) **United States Design Patent**
Fujiki

(10) **Patent No.:** **US D571,325 S**
(45) **Date of Patent:** **** Jun. 17, 2008**

(54) **TELEVISION RECEIVER**

(75) Inventor: **Gen Fujiki**, Tokyo (JP)

(73) Assignee: **Sony Corporation**, Tokyo (JP)

(**) Term: **14 Years**

(21) Appl. No.: **29/285,006**

(22) Filed: **Mar. 20, 2007**

(51) **LOC (8) Cl.** **14-03**

(52) **U.S. Cl.** **D14/128**

(58) **Field of Classification Search** D14/125-134,
D14/239, 371, 136, 374-377; 312/7.2; 348/836,
348/838, 180, 184, 325, 739; 341/12; 248/917-924,
248/465; 345/104, 133, 156, 168, 87, 173;
720/605, 669, 600, 655; 369/99, 197; 455/344-347
See application file for complete search history.

(56) **References Cited**

U.S. PATENT DOCUMENTS

D488,451 S	4/2004	Niitsu	
D489,042 S *	4/2004	Joe et al.	D14/126
D508,683 S	8/2005	Nakamura	
D510,918 S *	10/2005	Kubota et al.	D14/126
D511,754 S *	11/2005	Hirano	D14/128
D517,028 S *	3/2006	Joe et al.	D14/128

D534,508 S *	1/2007	Yamada	D14/126
D536,313 S *	2/2007	Chen et al.	D14/126
D538,765 S *	3/2007	Park et al.	D14/128
D539,763 S *	4/2007	Yamada	D14/126
D541,776 S *	5/2007	Senda et al.	D14/128
D545,786 S *	7/2007	Arai et al.	D14/128
D550,177 S *	9/2007	Yano	D14/128

* cited by examiner

Primary Examiner—Raphael Barkai

(74) *Attorney, Agent, or Firm*—Rader, Fishman & Grauer, PLLC

(57) **CLAIM**

The ornamental design for a television receiver, as shown.

DESCRIPTION

FIG. 1 is a perspective view of a television receiver showing my new design;

FIG. 2 is a front elevational view thereof;

FIG. 3 is a rear elevational view thereof;

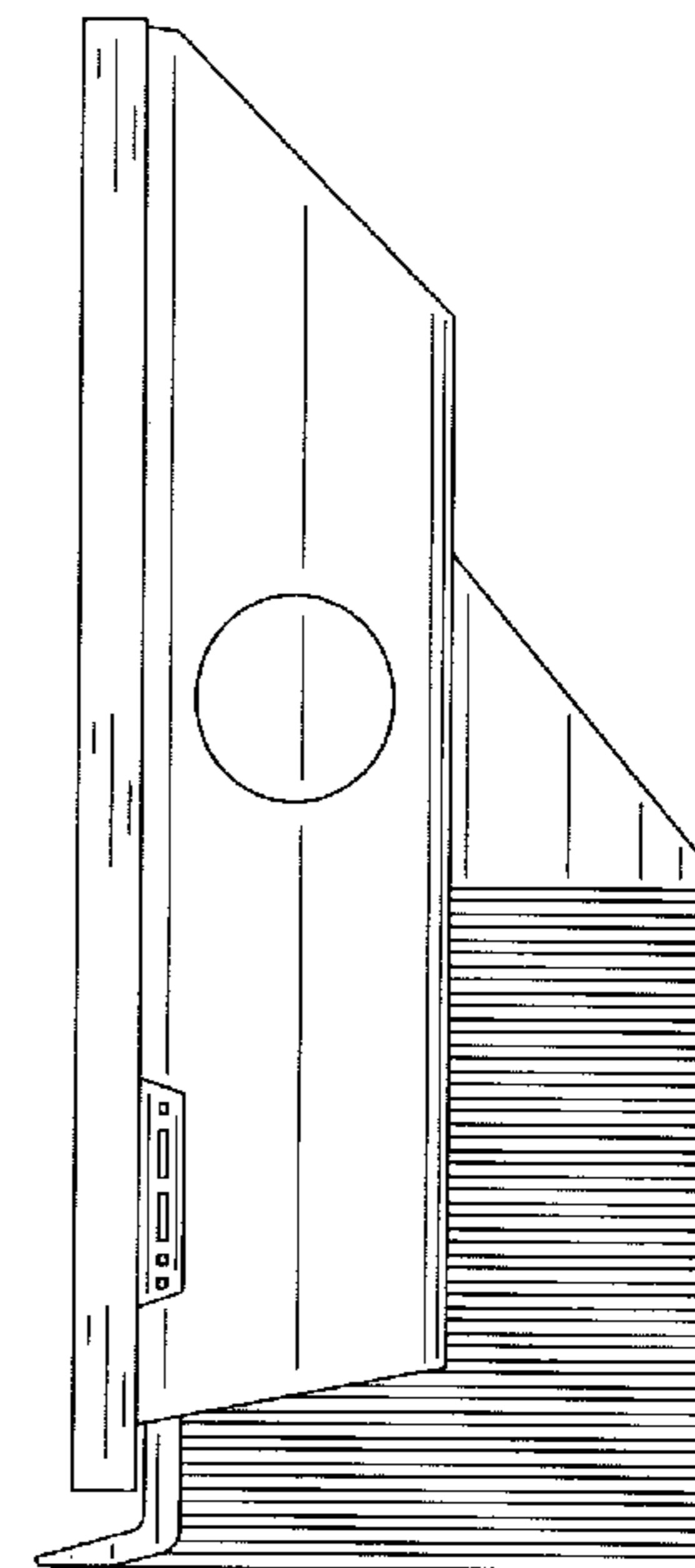
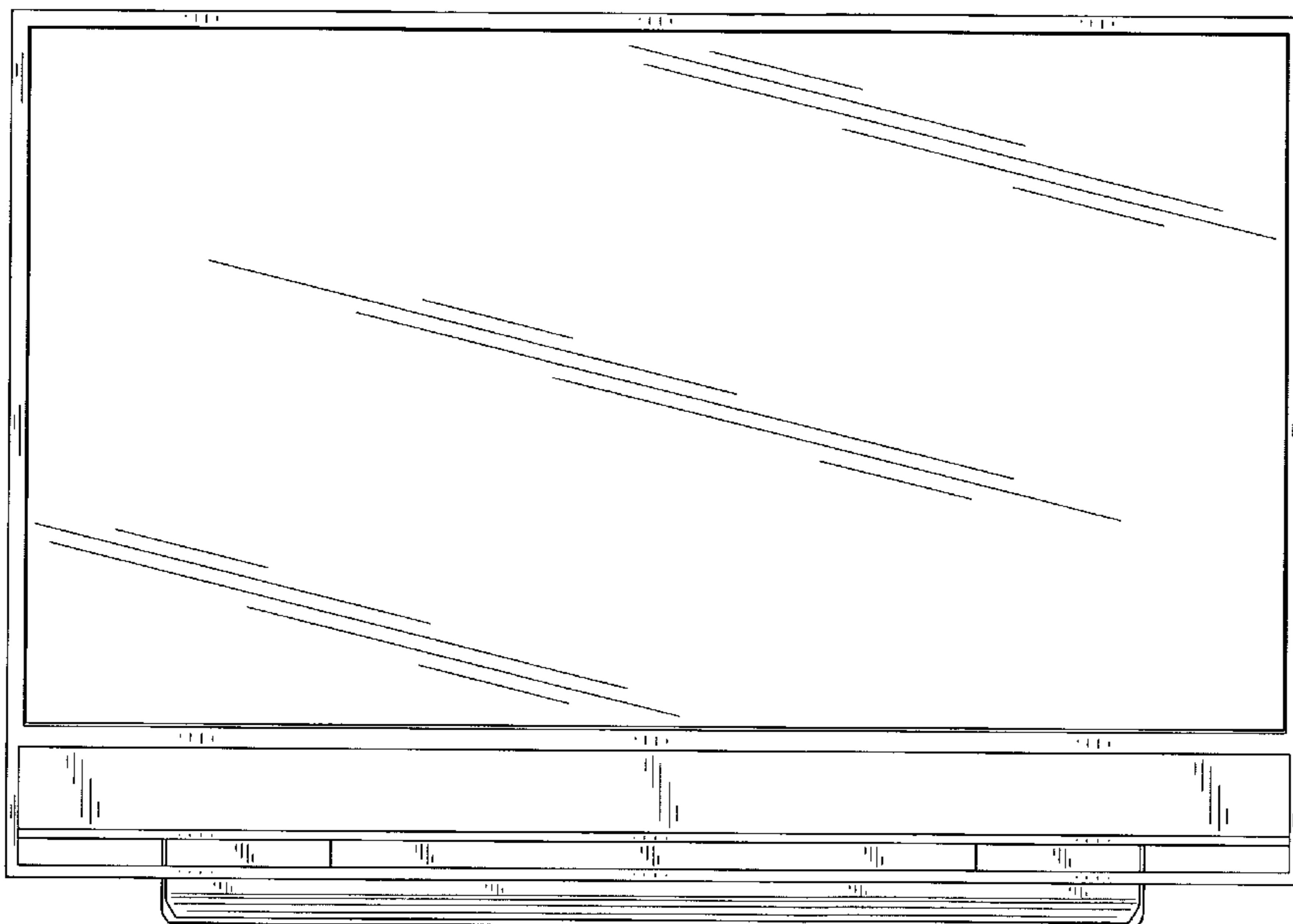
FIG. 4 is a left side elevational view thereof;

FIG. 5 is a right side elevational view thereof;

FIG. 6 is a top plan view thereof; and,

FIG. 7 is a bottom plan view thereof.

1 Claim, 7 Drawing Sheets



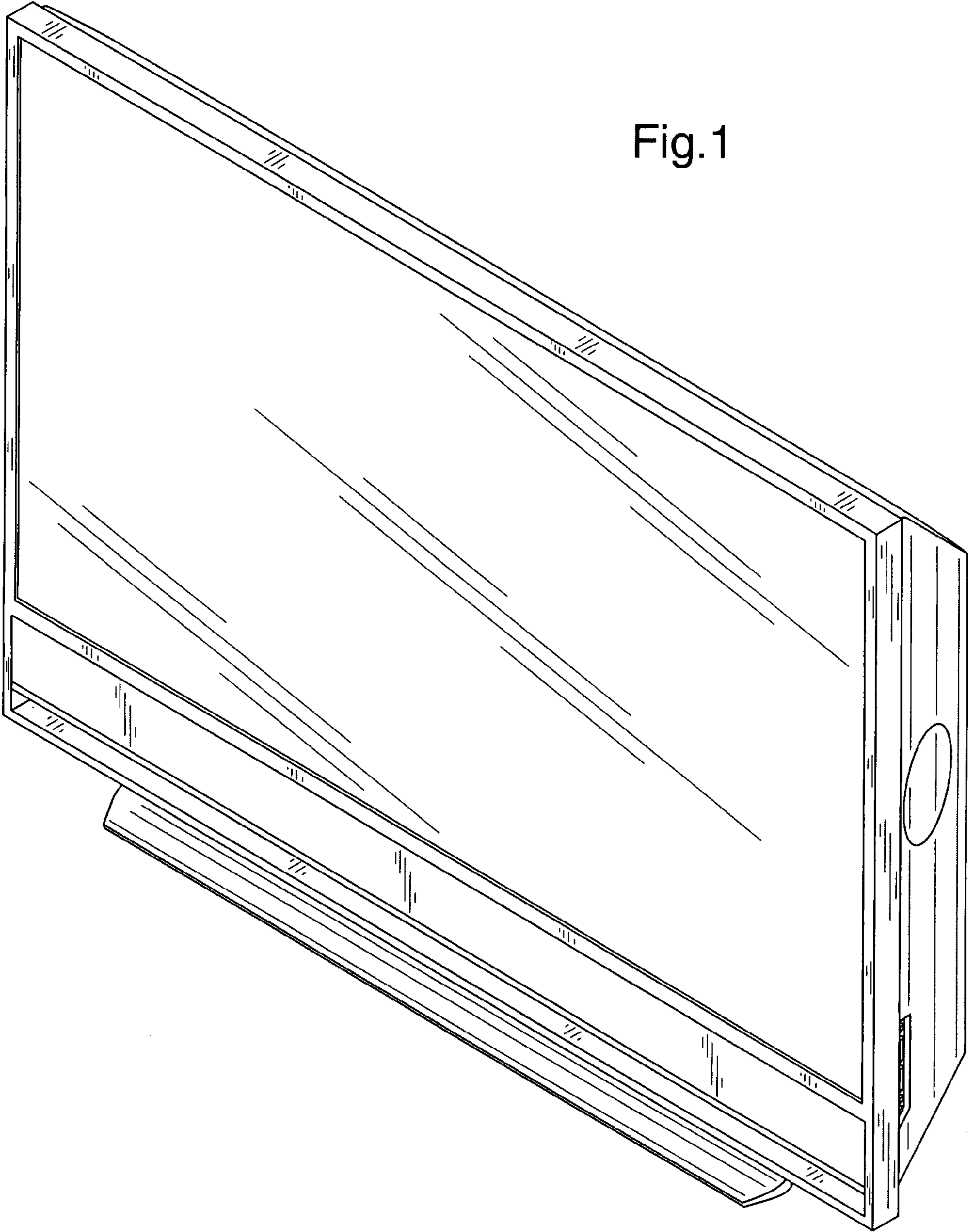


Fig.1

Fig.2

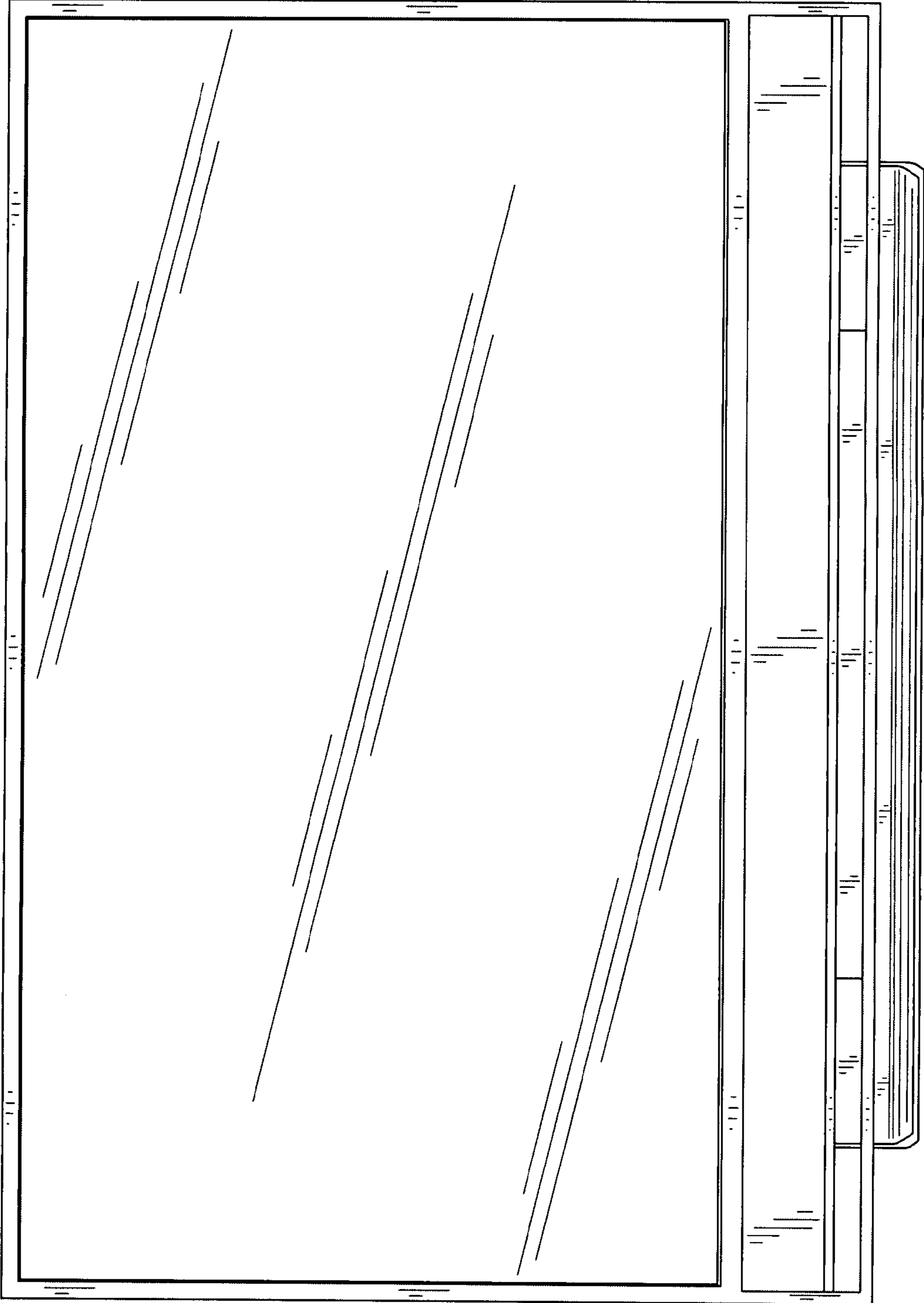


Fig.3

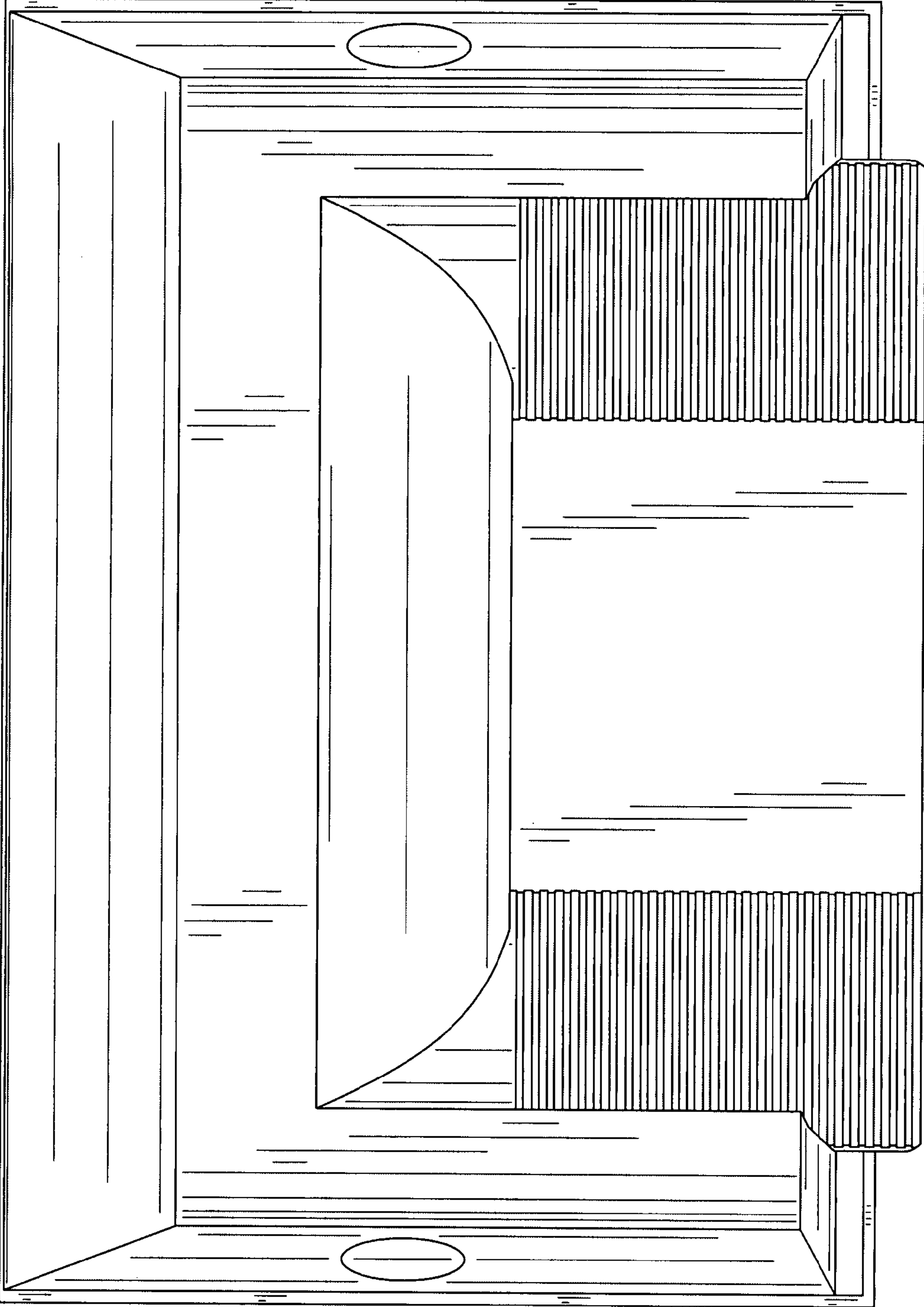


Fig. 4

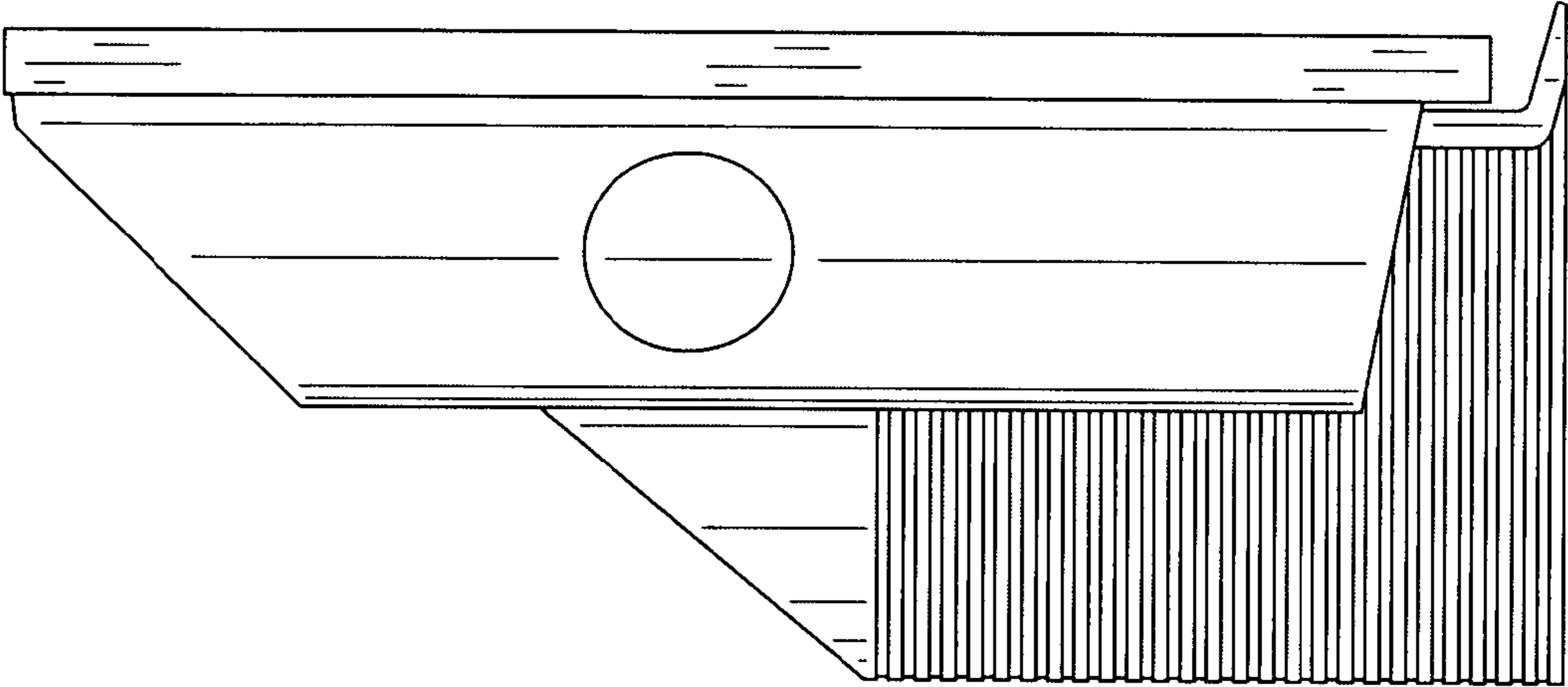


Fig.5

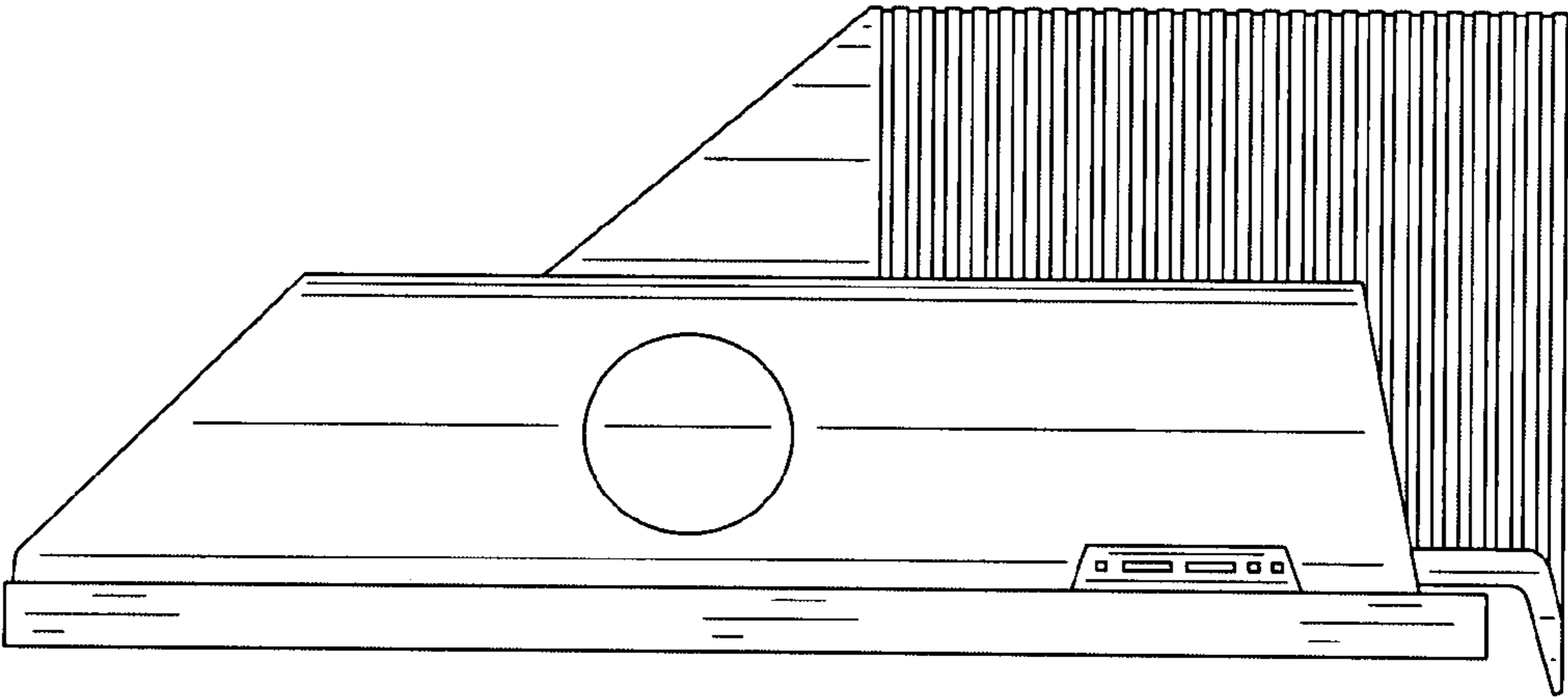


Fig.6

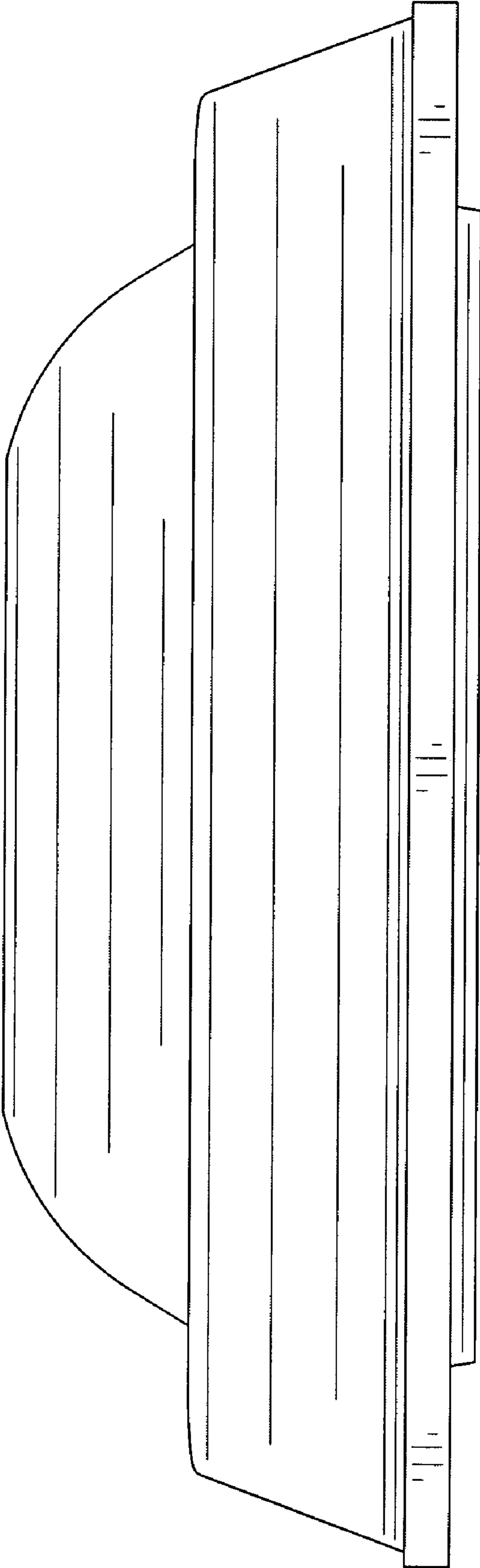


Fig.7

