



US00D571324S

(12) **United States Design Patent**  
**Katsumata**

(10) **Patent No.:** **US D571,324 S**  
(45) **Date of Patent:** **\*\* Jun. 17, 2008**

(54) **TELEVISION RECEIVER**

(75) Inventor: **Kenji Katsumata**, Tokyo (JP)

(73) Assignee: **Sony Corporation**, Tokyo (JP)

(\*\*) Term: **14 Years**

(21) Appl. No.: **29/272,854**

(22) Filed: **Feb. 21, 2007**

(51) **LOC (8) Cl.** ..... **14-03**

(52) **U.S. Cl.** ..... **D14/128**

(58) **Field of Classification Search** ..... D14/125-134,  
D14/239, 371, 136, 374-377; 312/7.2; 348/836,  
348/838, 180, 184, 325, 739; 341/12; 248/917-924,  
248/465; 345/104, 133, 156, 168, 87, 173;  
720/605, 669, 600, 655; 369/99, 197; 455/344-347  
See application file for complete search history.

(56) **References Cited**

**U.S. PATENT DOCUMENTS**

D472,532 S	4/2003	Niitsu	
D486,803 S	2/2004	Fujiki et al.	
D489,042 S *	4/2004	Joe et al.	D14/126
D511,753 S *	11/2005	Joe et al.	D14/128
D511,754 S	11/2005	Hirano	
D512,032 S *	11/2005	Joe et al.	D14/128

D517,028 S *	3/2006	Joe et al.	D14/128
D534,883 S *	1/2007	Kang et al.	D14/128
D541,776 S *	5/2007	Senda et al.	D14/128
D545,786 S *	7/2007	Arai et al.	D14/128
D545,787 S *	7/2007	Nakamura	D14/128
D550,177 S *	9/2007	Yano	D14/128
D551,193 S *	9/2007	Ooshima et al.	D14/128

\* cited by examiner

*Primary Examiner*—Raphael Barkai

(74) *Attorney, Agent, or Firm*—Rader, Fishman & Grauer, PLLC

(57) **CLAIM**

The ornamental design for a television receiver, as shown.

**DESCRIPTION**

FIG. 1 is a perspective view of a television receiver showing my new design;

FIG. 2 is a front elevational view thereof;

FIG. 3 is a rear elevational view thereof;

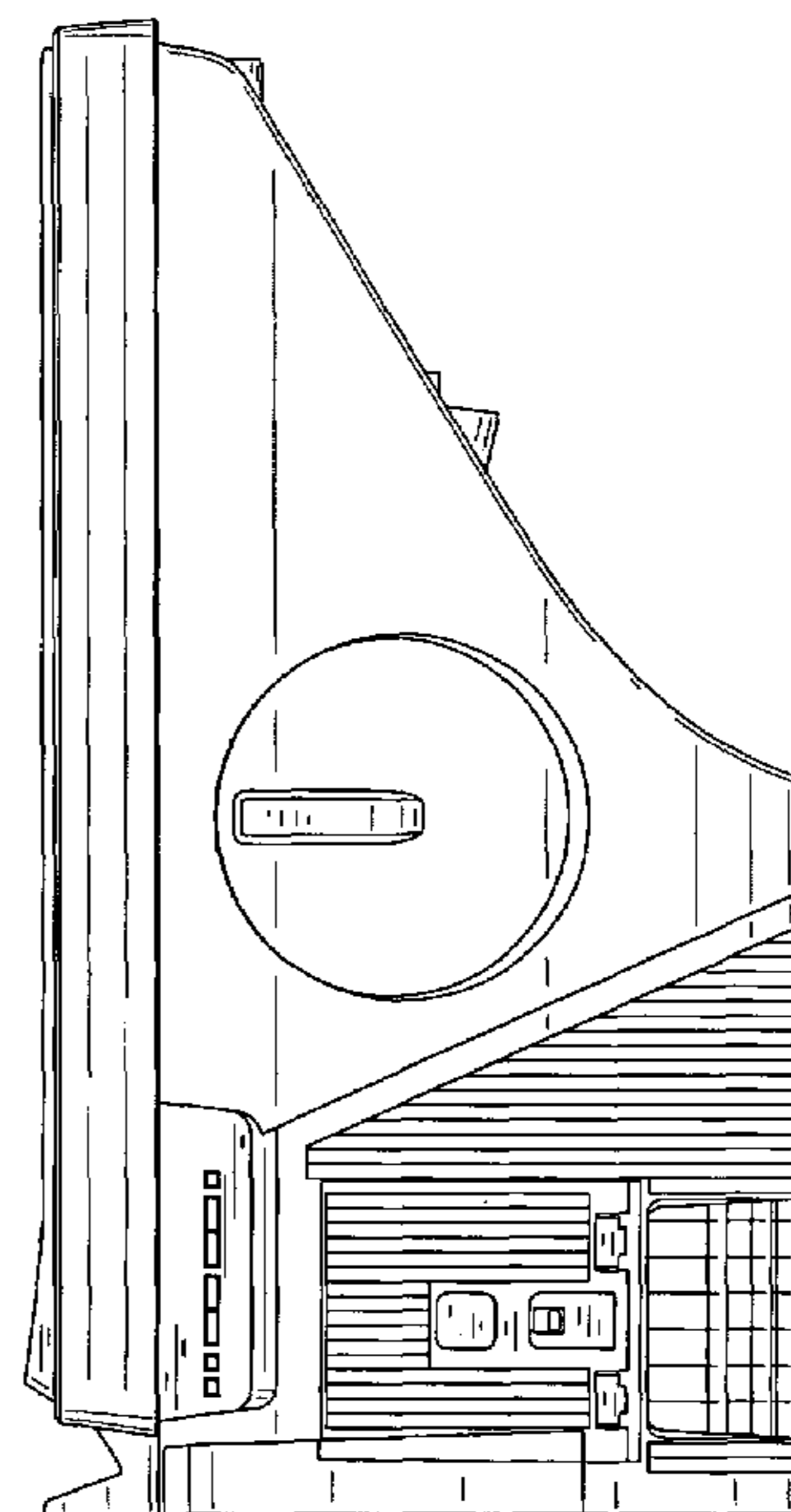
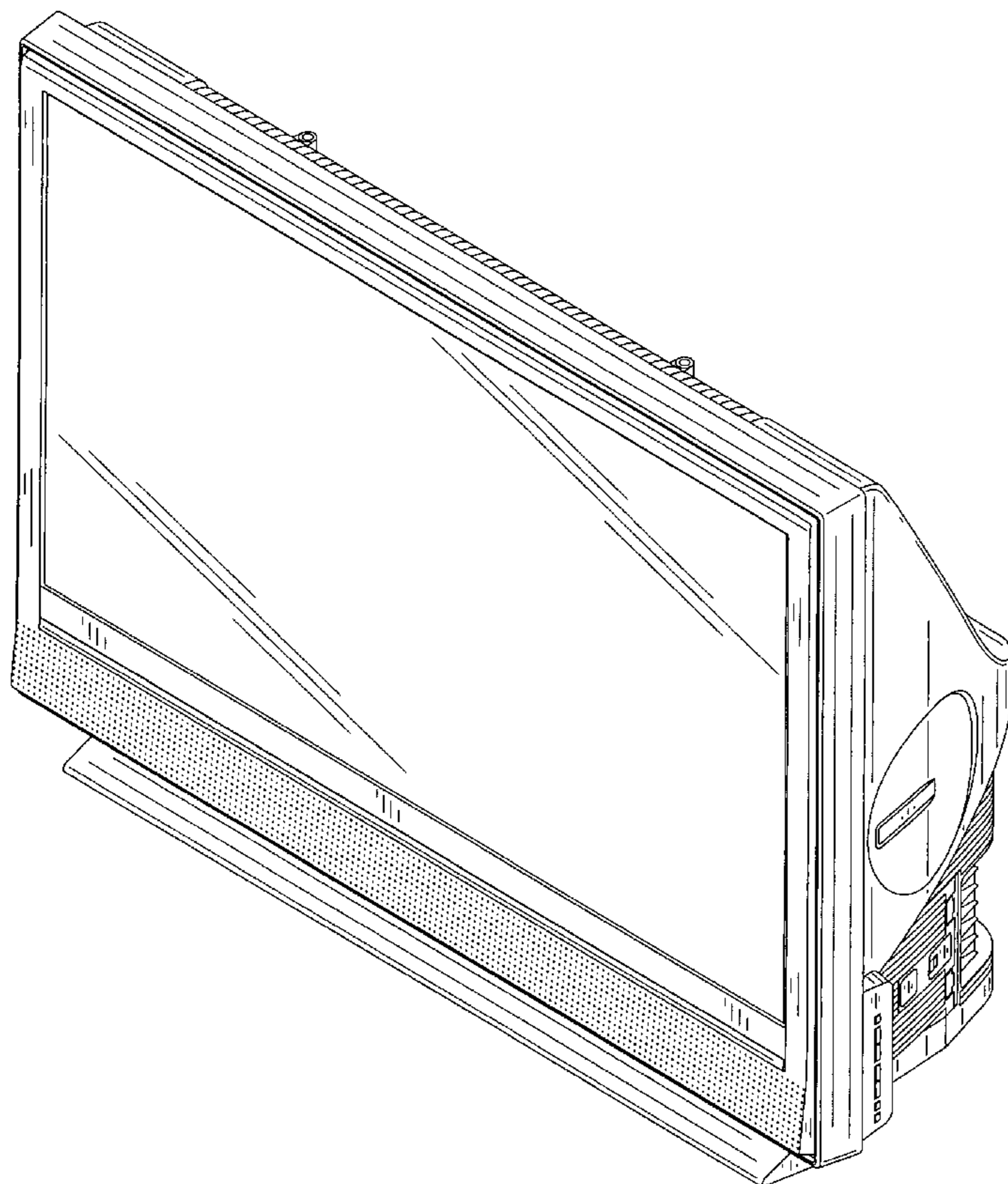
FIG. 4 is a left side elevational view thereof;

FIG. 5 is a right side elevational view thereof;

FIG. 6 is a top plan view thereof; and,

FIG. 7 is a bottom plan view thereof.

**1 Claim, 7 Drawing Sheets**



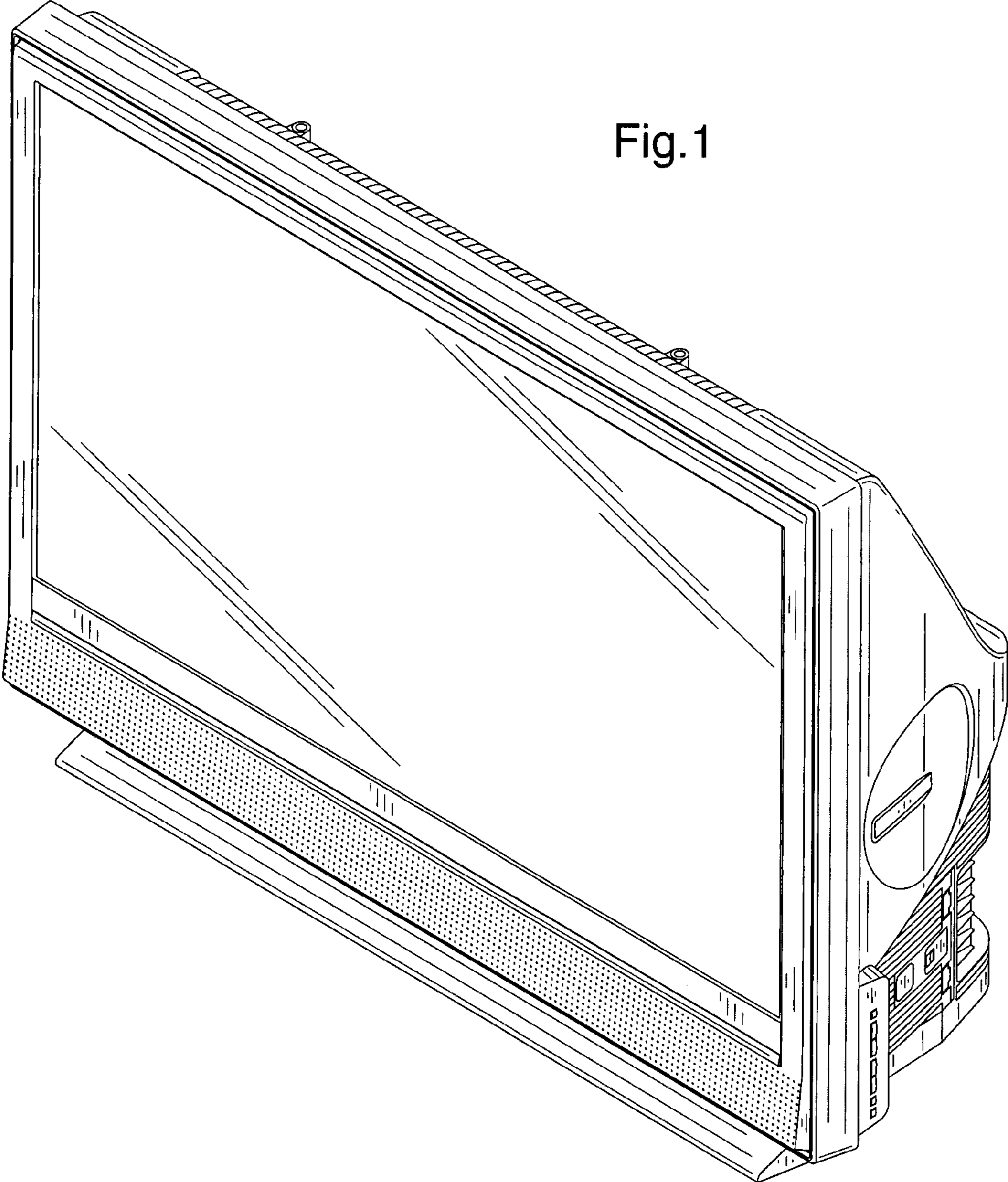


Fig. 1

Fig.2

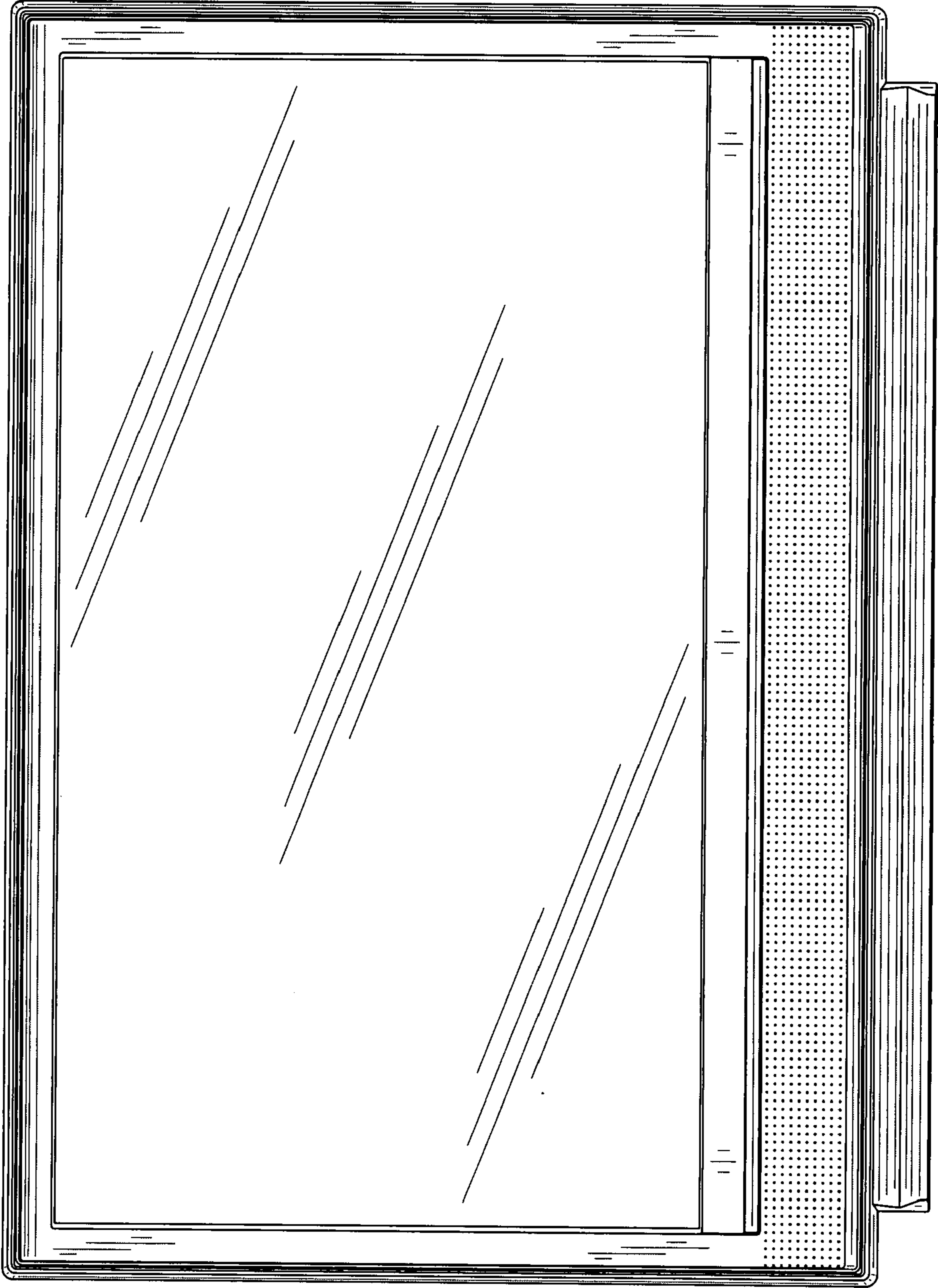


Fig.3

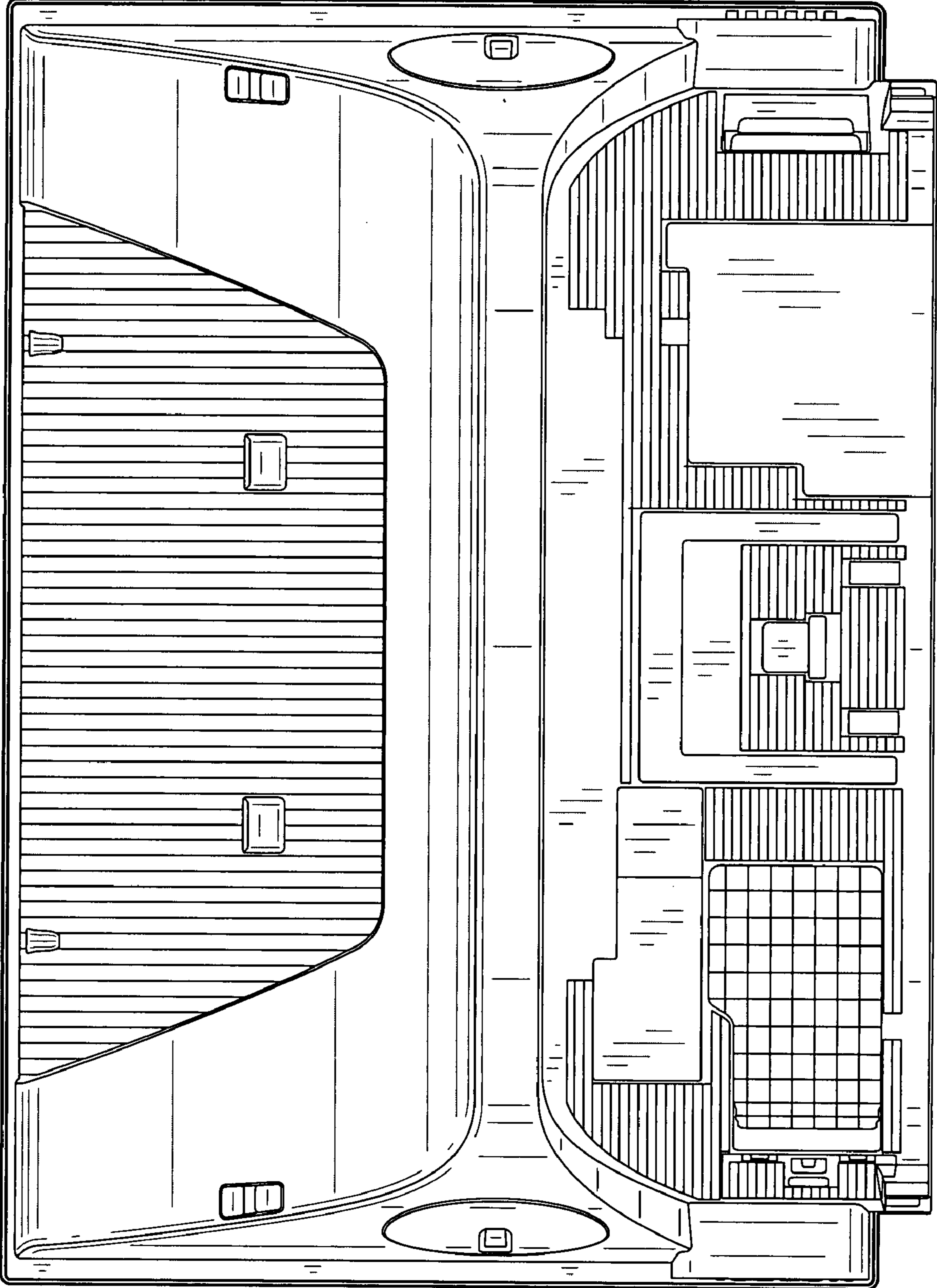


Fig.4

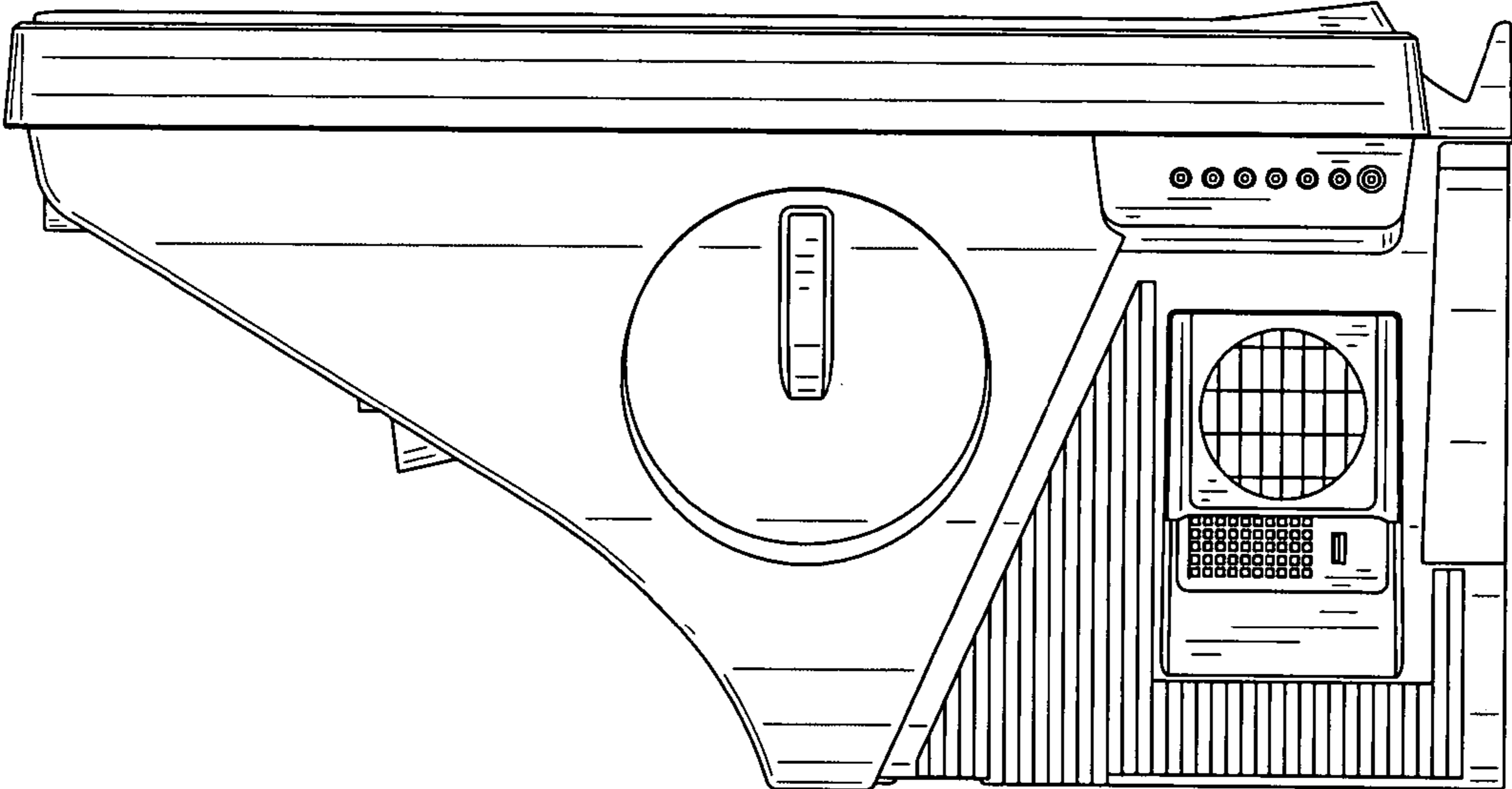


Fig.5

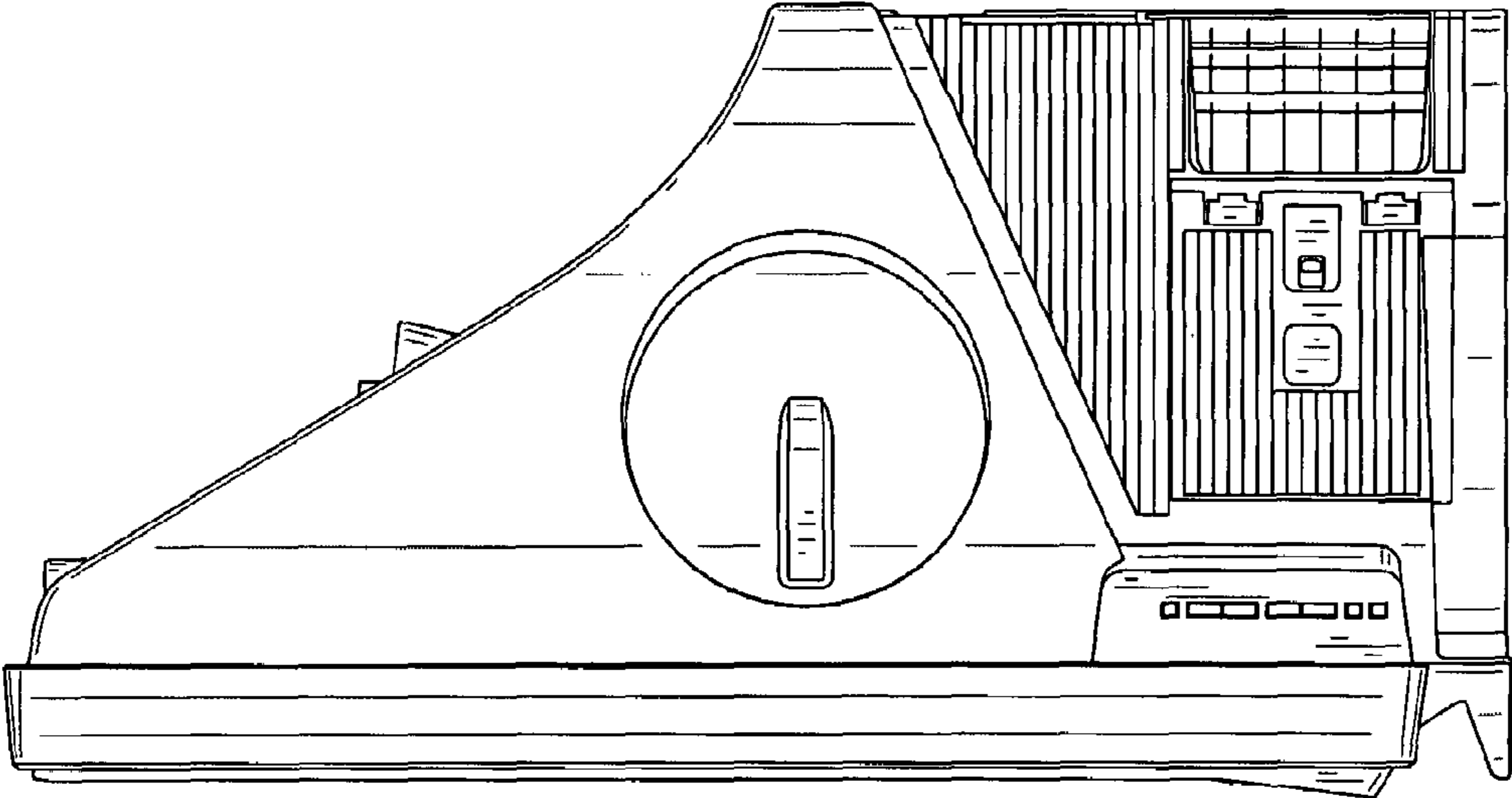


Fig.6

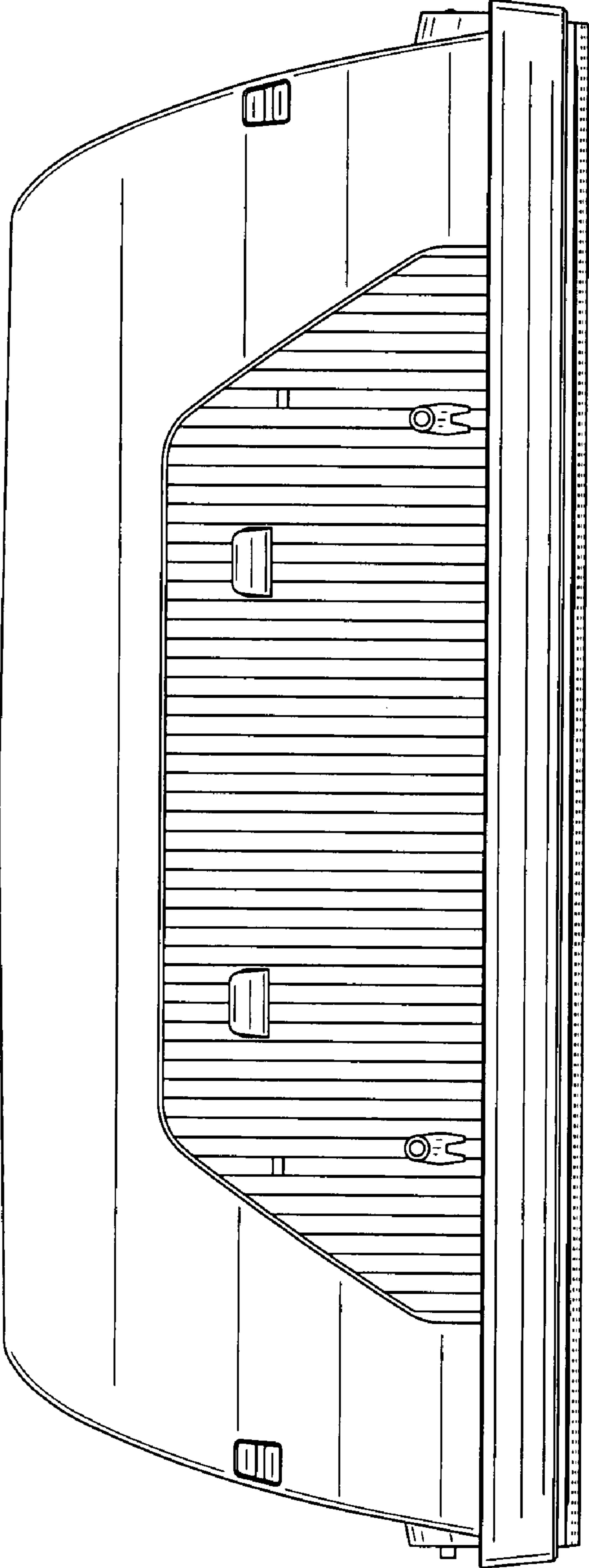


Fig. 7

