



US00D571321S

(12) **United States Design Patent**
Fujii

(10) **Patent No.:** **US D571,321 S**
(45) **Date of Patent:** **** Jun. 17, 2008**

(54) **TELEVISION RECEIVER**

U.S. Appl. No. 29/260,979, filed Jun. 6, 2006, R. Barkai.

(75) Inventor: **Hiroya Fujii**, Tokyo (JP)

* cited by examiner

(73) Assignee: **Sony Corporation**, Tokyo (JP)

Primary Examiner—Raphael Barkai
(74) *Attorney, Agent, or Firm*—Rader, Fishman & Grauer, PLLC

(**) Term: **14 Years**

(21) Appl. No.: **29/274,960**

(57) **CLAIM**

(22) Filed: **Jun. 12, 2007**

The ornamental design for a television receiver, as shown.

(51) **LOC (8) Cl.** **14-03**

(52) **U.S. Cl.** **D14/126**

(58) **Field of Classification Search** D14/125–134,
D14/239, 371, 136, 374–377; 312/7.2; 348/836,
348/838, 180, 184, 325, 739; 341/12; 248/917–924,
248/465; 345/104, 133, 156, 168, 87, 173;
720/605, 669, 600, 655; 369/99, 197; 455/344–347
See application file for complete search history.

DESCRIPTION

(56) **References Cited**

U.S. PATENT DOCUMENTS

D432,101 S	10/2000	Oba	
D454,846 S *	3/2002	Goto	D14/129
D476,632 S *	7/2003	Inoue et al.	D14/126
D486,456 S	2/2004	Fujiki	
D511,152 S *	11/2005	Lee	D14/126
D531,967 S *	11/2006	Chia	D14/126
D539,247 S *	3/2007	Lee	D14/129
D540,756 S *	4/2007	Wu et al.	D14/126
D541,773 S *	5/2007	Chong et al.	D14/126
D549,673 S *	8/2007	Niitsu	D14/126
D550,634 S *	9/2007	Rashid	D14/126
D552,570 S *	10/2007	Niitsu	D14/126

OTHER PUBLICATIONS

U.S. Appl. No. 29/238,646, filed Sep. 20, 2005, R. Barkai.

U.S. Appl. No. 29/251,695, filed Jan. 12, 2006, R. Barkai.

FIG. 1 is a perspective view of a television receiver showing my new design;

FIG. 2 is a front elevational view thereof;

FIG. 3 is a rear elevational view thereof;

FIG. 4 is a left side elevational view thereof;

FIG. 5 is a right side elevational view thereof;

FIG. 6 is a top plan view thereof; and

FIG. 7 is a bottom plan view thereof.

FIG. 8 is a perspective view of another embodiment of a television receiver showing my new design;

FIG. 9 is a front elevational view thereof;

FIG. 10 is a rear elevational view thereof;

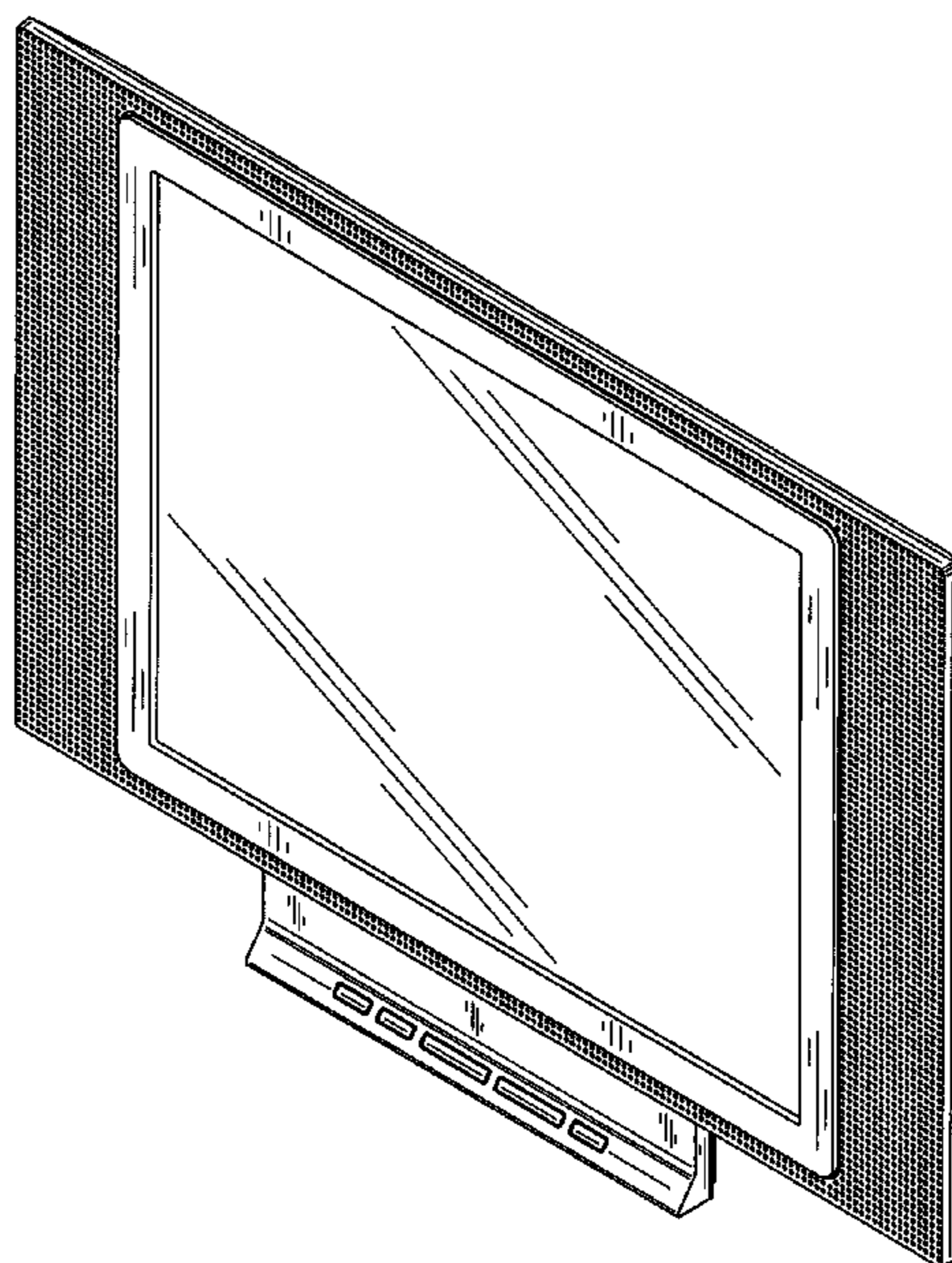
FIG. 11 is a left side elevational view thereof;

FIG. 12 is a right side elevational view thereof;

FIG. 13 is a top plan view thereof; and,

FIG. 14 is a bottom plan view thereof.

1 Claim, 14 Drawing Sheets



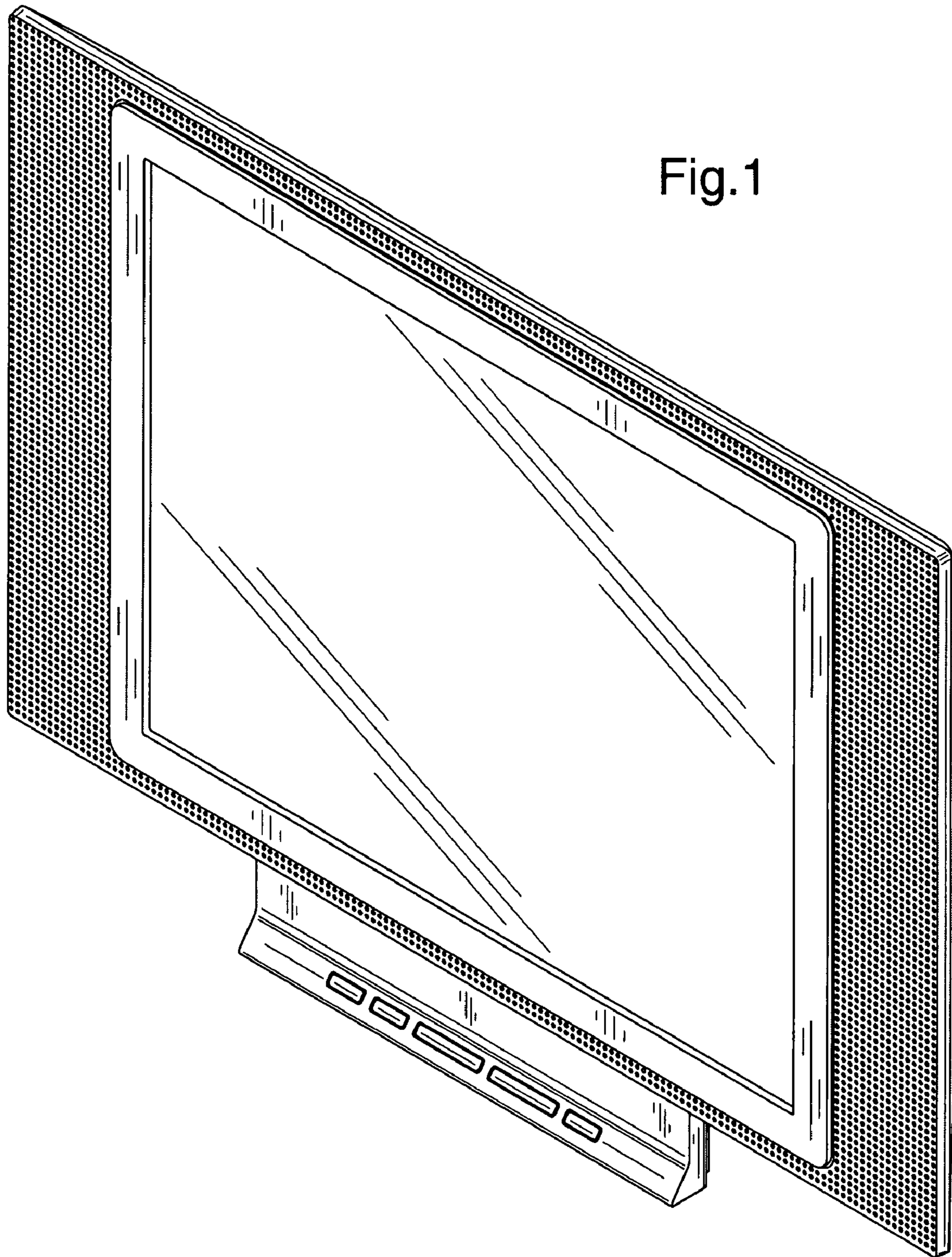


Fig. 1

Fig.2

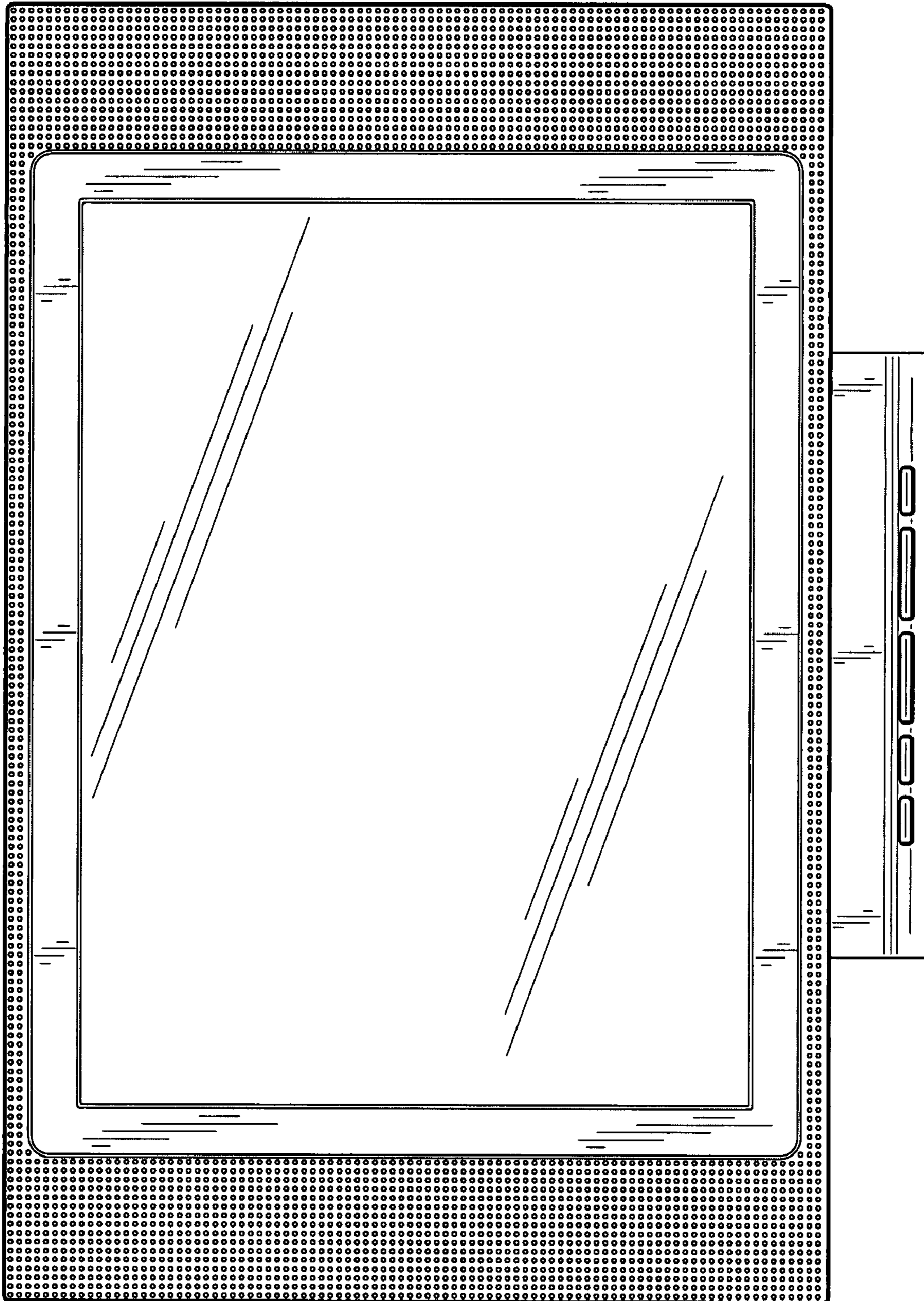


Fig.3

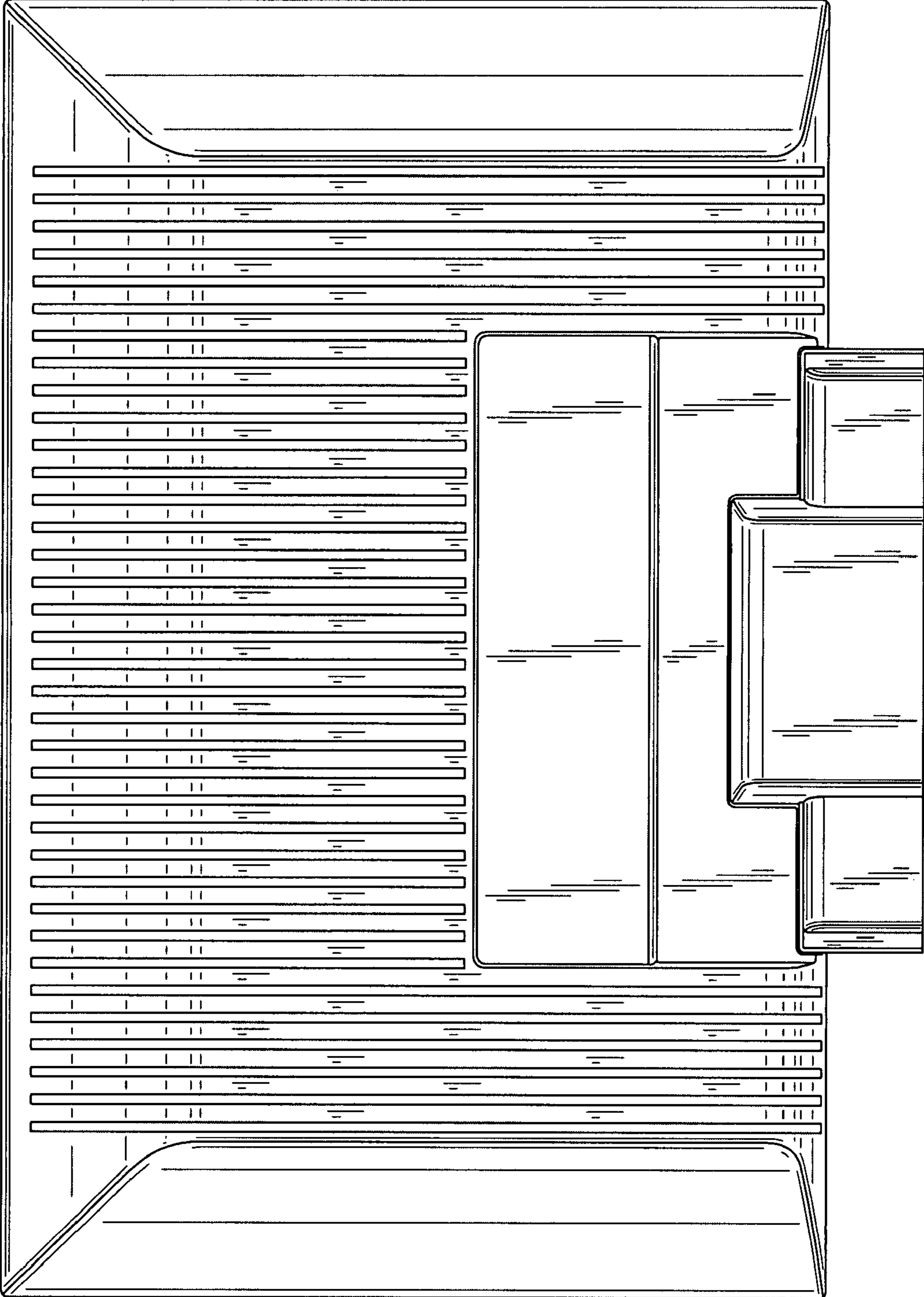


Fig.4

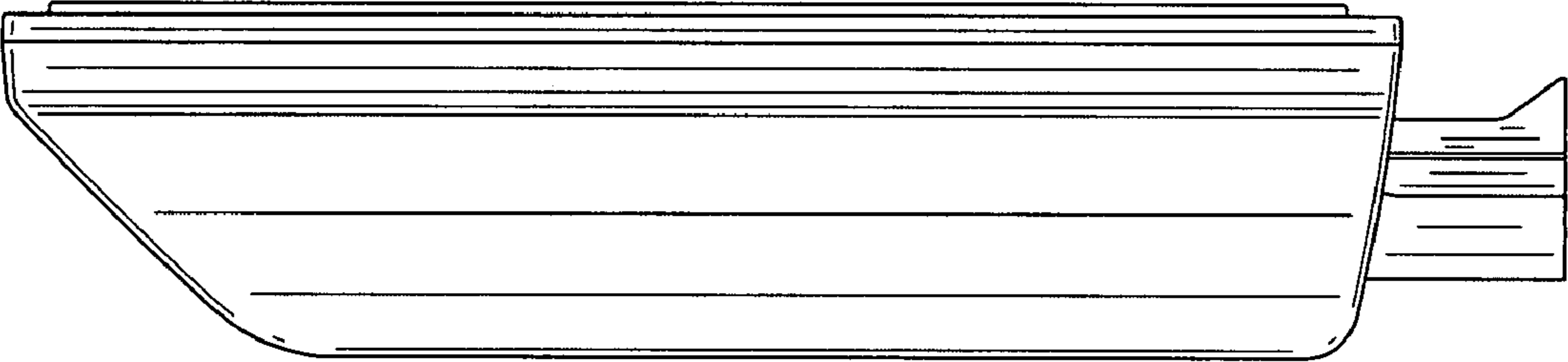


Fig.5

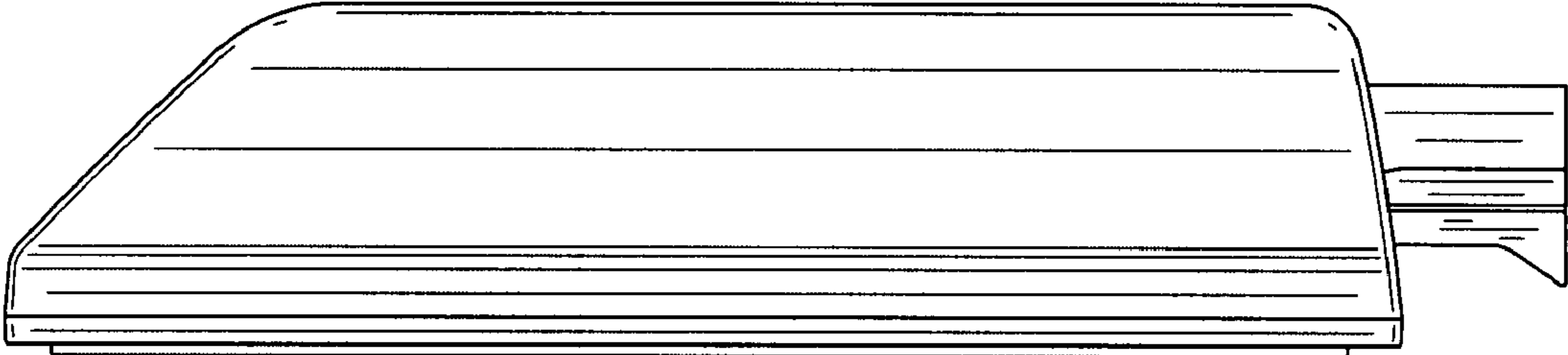


Fig.6

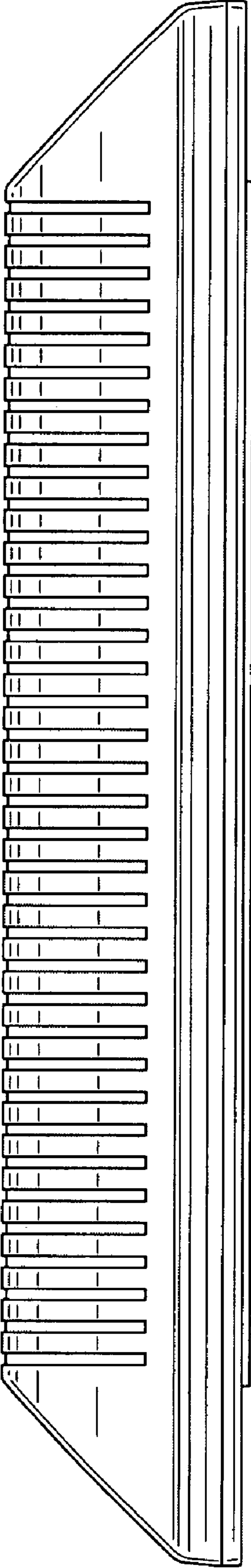
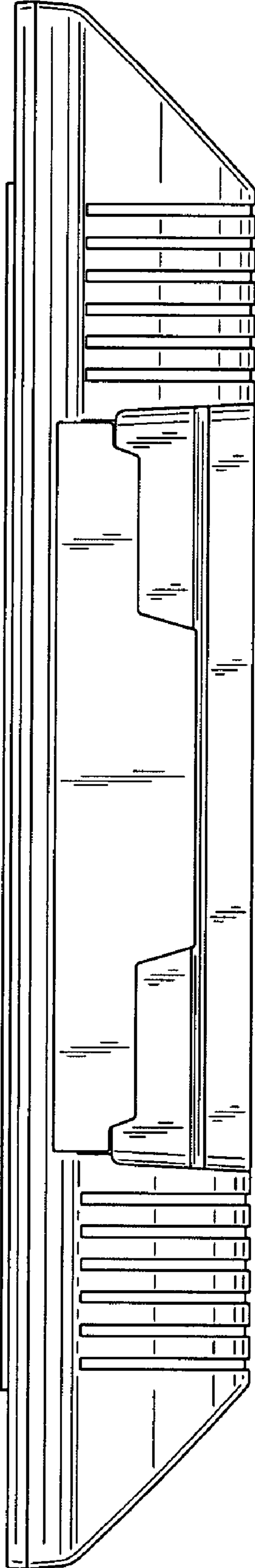


Fig. 7



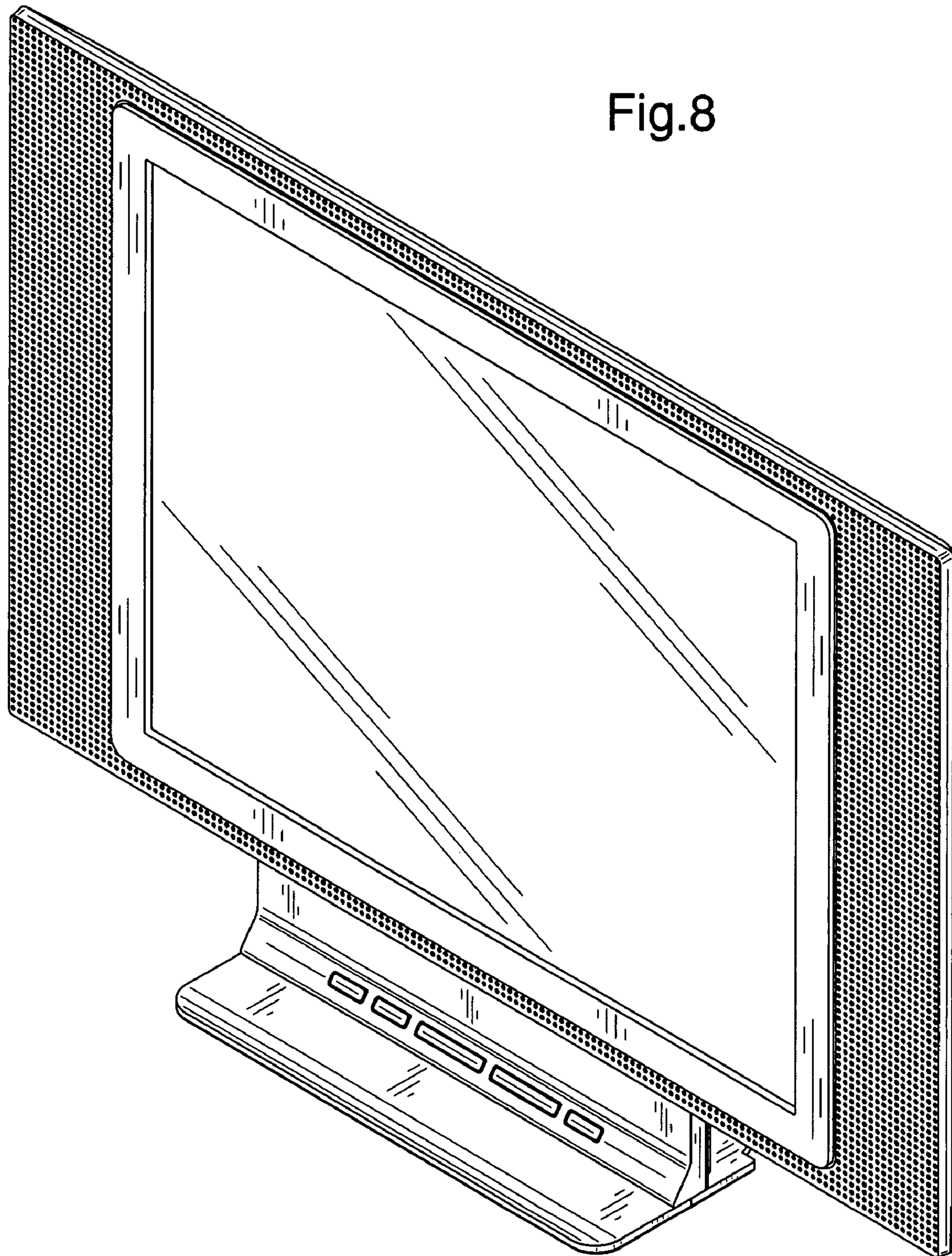


Fig.8

Fig.9

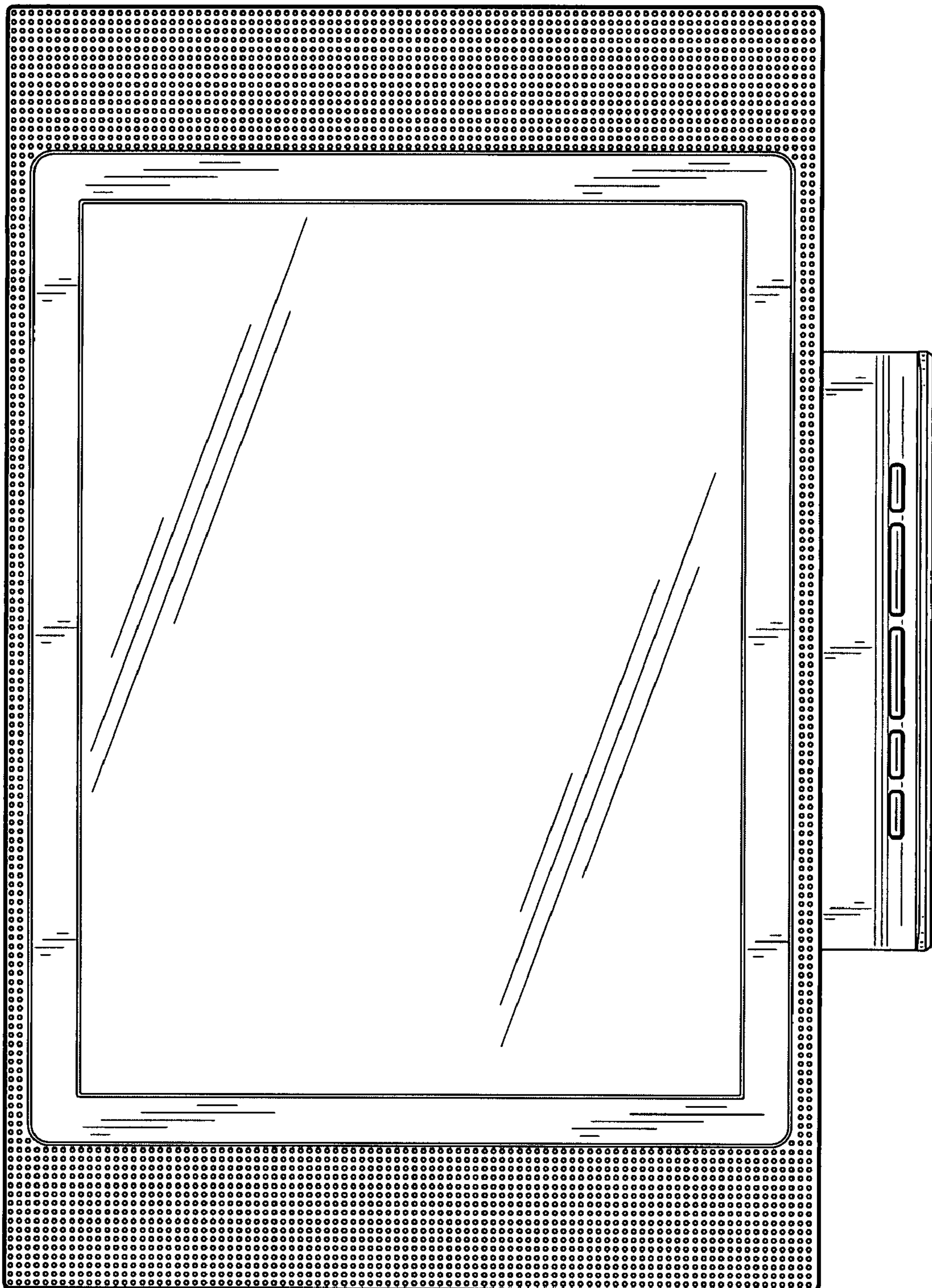


Fig. 10

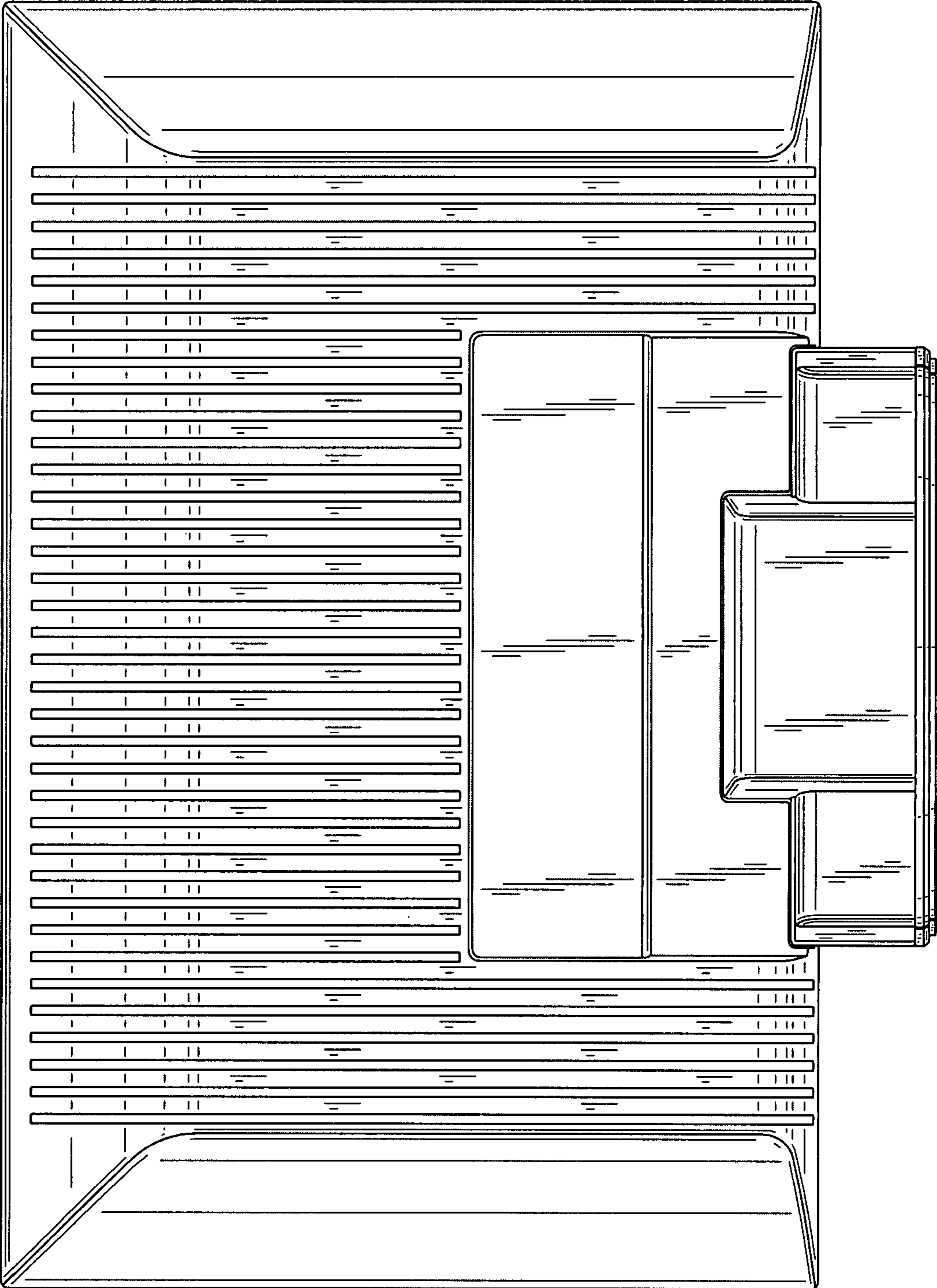


Fig. 11

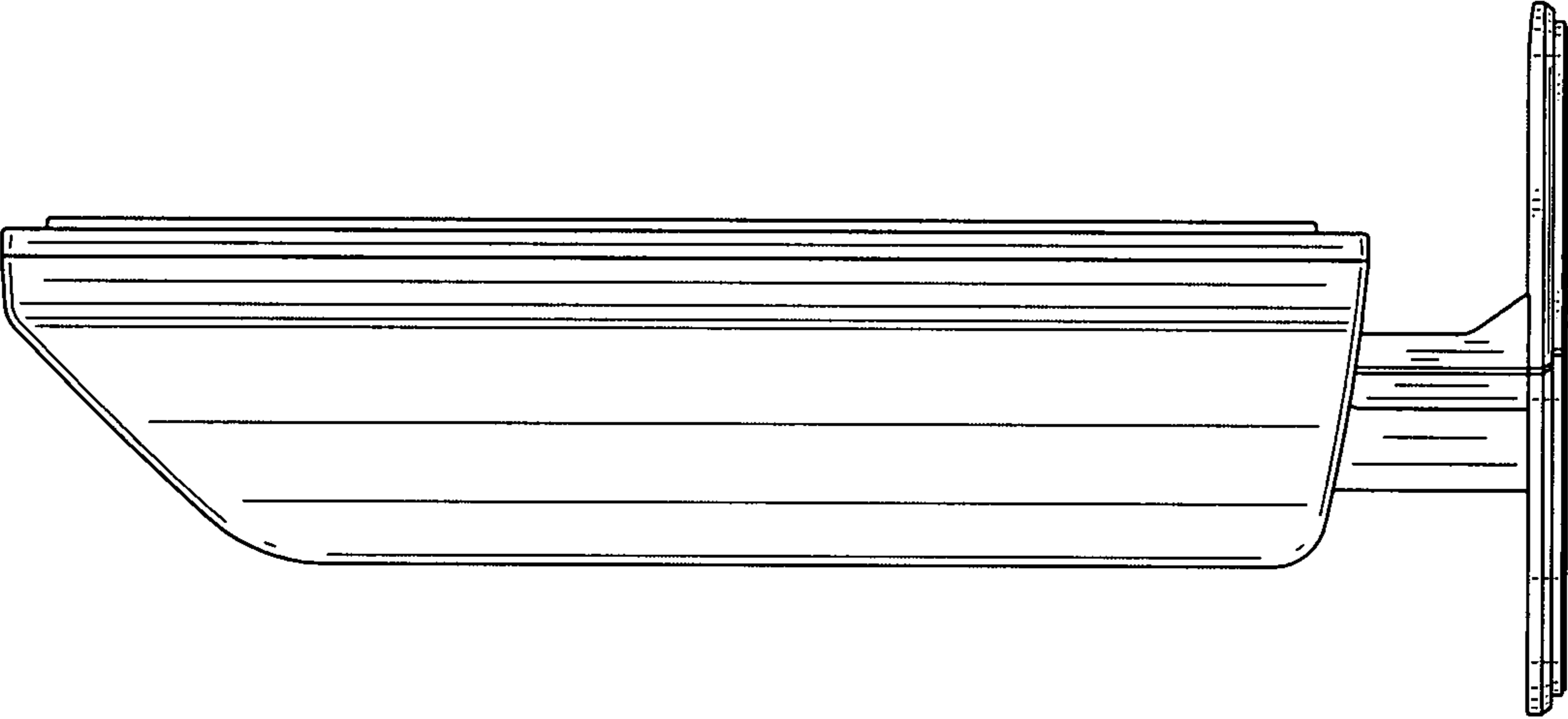


Fig.12

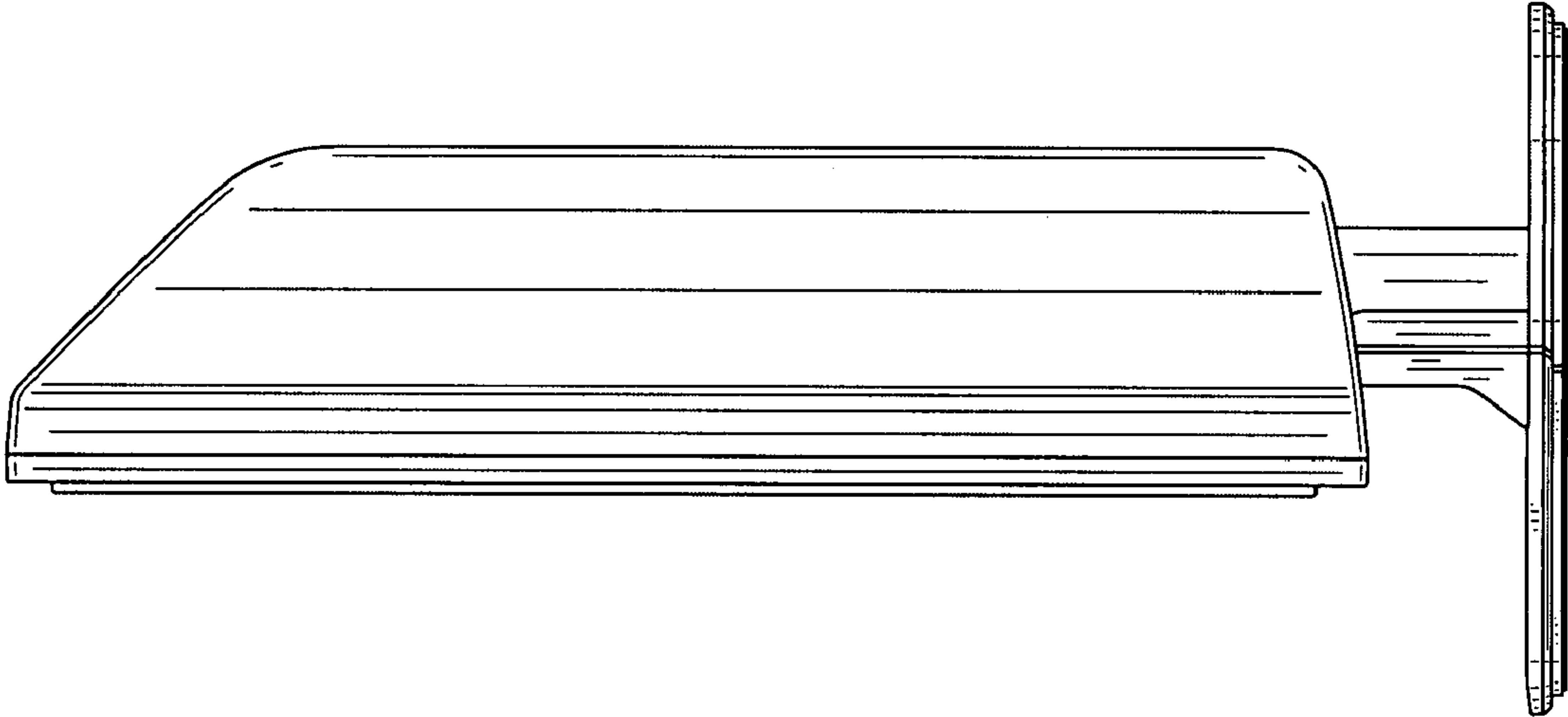


Fig. 13

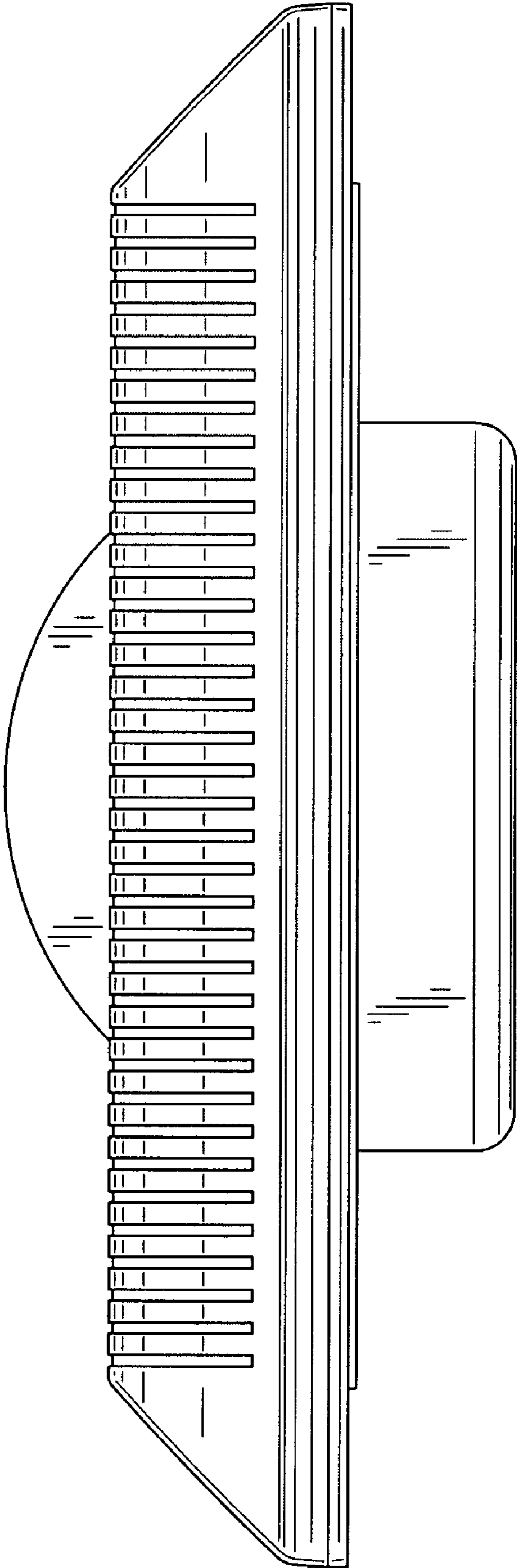


Fig. 14

