



US00D571319S

(12) **United States Design Patent**  
**Fujiki**

(10) **Patent No.:** **US D571,319 S**  
(45) **Date of Patent:** **\*\* Jun. 17, 2008**

(54) **MONITOR TELEVISION RECEIVER**

(75) Inventor: **Gen Fujiki**, Tokyo (JP)

(73) Assignee: **Sony Corporation**, Tokyo (JP)

(\*\*) Term: **14 Years**

(21) Appl. No.: **29/261,885**

(22) Filed: **Jun. 22, 2006**

(51) **LOC (8) Cl.** ..... **14-03**

(52) **U.S. Cl.** ..... **D14/126**

(58) **Field of Classification Search** ..... D14/125-134,  
D14/239, 371, 136, 374-377; 312/7.2; 348/836,  
348/838, 180, 184, 325, 739; 341/12; 248/917-924,  
248/465; 345/104, 133, 156, 168, 87, 173;  
720/605, 669, 600, 655; 369/99, 197; 455/344-347  
See application file for complete search history.

(56) **References Cited**

**U.S. PATENT DOCUMENTS**

D427,169 S \* 6/2000 Saeki et al. .... D14/126  
D473,853 S \* 4/2003 Inoue et al. .... D14/126

D503,157 S \* 3/2005 Fujii et al. .... D14/126  
D529,011 S \* 9/2006 Asanuma et al. .... D14/126  
D533,149 S \* 12/2006 Inoue ..... D14/126  
D540,278 S \* 4/2007 Ju et al. .... D14/126  
D549,194 S \* 8/2007 Fujii ..... D14/126  
D549,673 S \* 8/2007 Niitsu ..... D14/126

\* cited by examiner

*Primary Examiner*—Raphael Barkai  
(74) *Attorney, Agent, or Firm*—Rader, Fishman & Grauer,  
PLLC

(57) **CLAIM**

The ornamental design for a monitor television receiver, as shown and described.

**DESCRIPTION**

FIG. 1 is a perspective view of a monitor television receiver showing my new design;

FIG. 2 is a front elevational perspective view thereof; and,

FIG. 3 is a rear elevational view thereof.

**1 Claim, 3 Drawing Sheets**

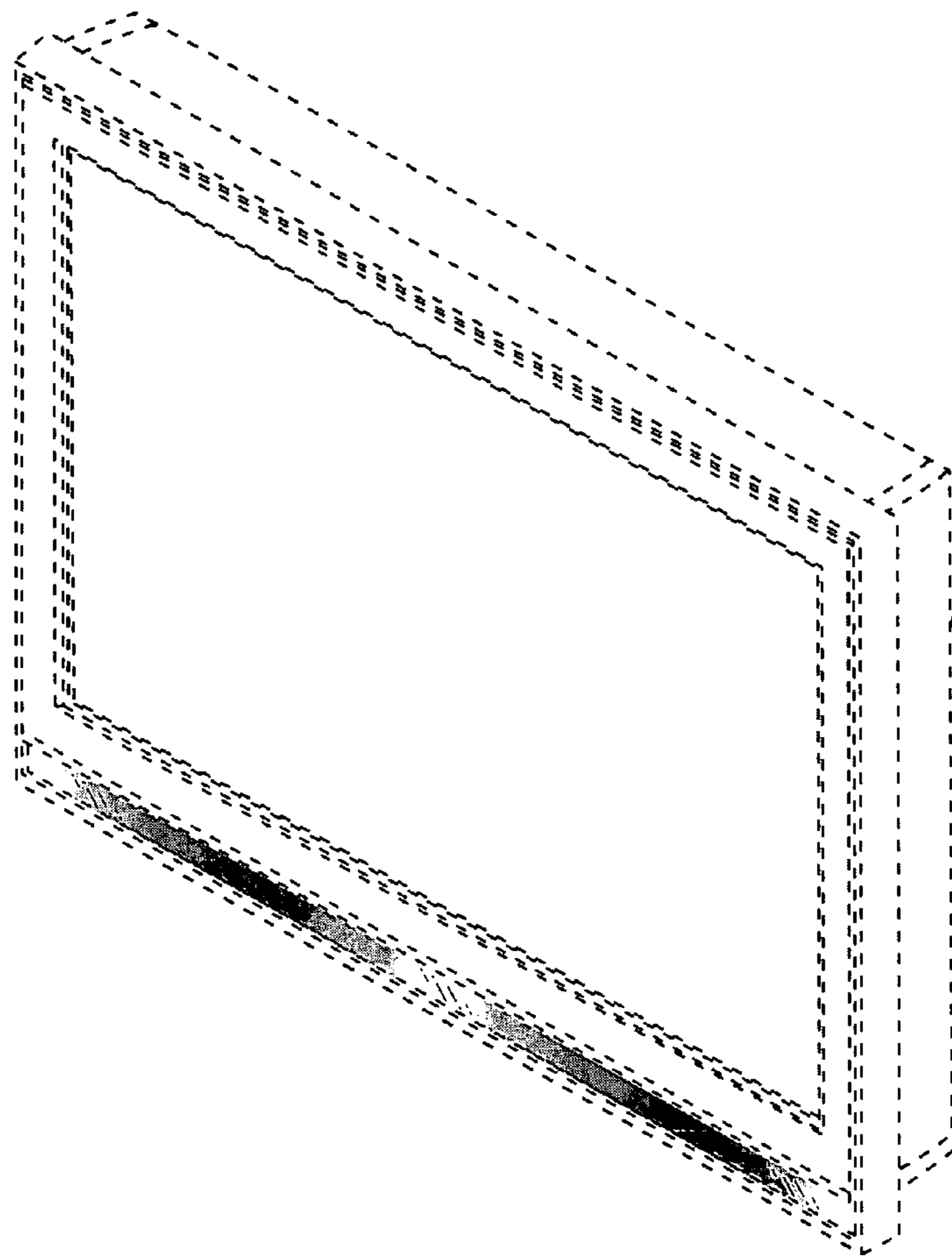


Fig. 1

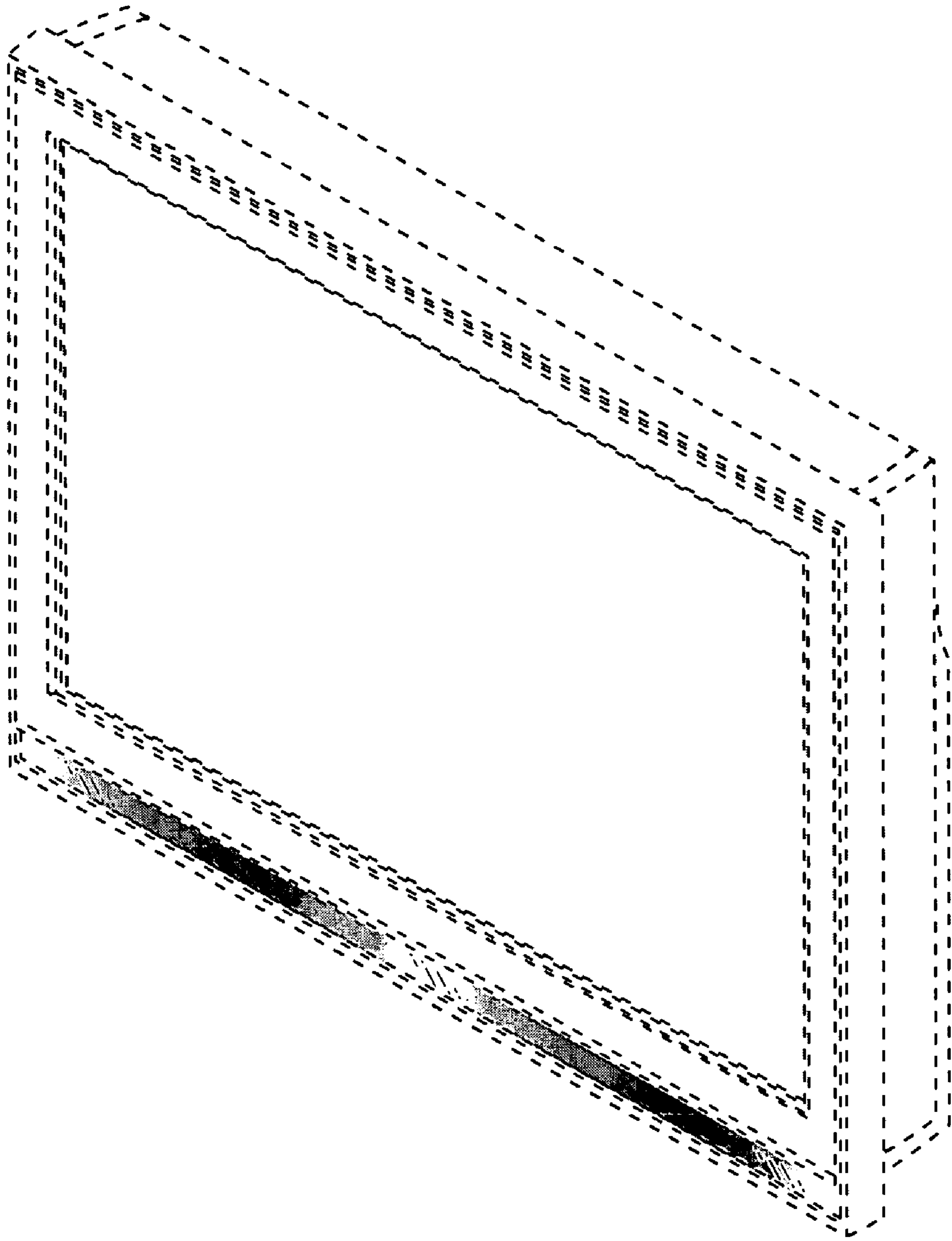


Fig.2

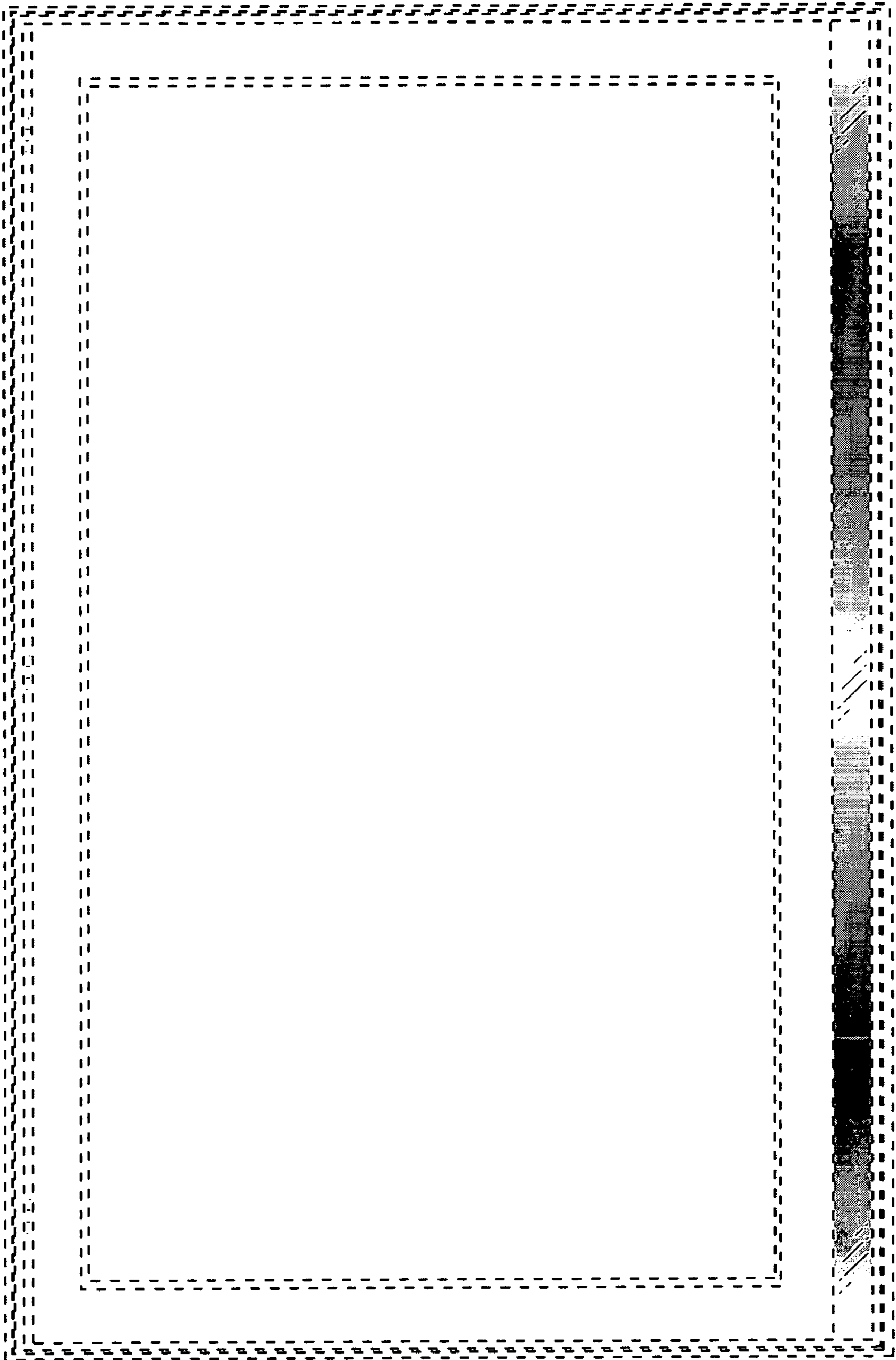


Fig.3

