



US00D571318S

(12) **United States Design Patent**
O'Con

(10) **Patent No.:** **US D571,318 S**

(45) **Date of Patent:** **** Jun. 17, 2008**

(54) **TELEVISION STAND**

(75) **Inventor:** **Kelly L. O'Con**, 1125 Dolman, St.
Louis, MO (US) 63104

(73) **Assignee:** **Kelly L. O'Con**, St. Louis, MO (US)

(**) **Term:** **14 Years**

(21) **Appl. No.:** **29/250,099**

(22) **Filed:** **Nov. 1, 2006**

(51) **LOC (8) Cl.** **14-03**

(52) **U.S. Cl.** **D14/126**

(58) **Field of Classification Search** D14/125-134,
D14/239, 299, 356, 361-363, 365, 496, 135,
D14/136, 379, 371, 374, 375, 376, 113; 348/10,
348/460, 836, 838, 180, 184, 325, 739; 361/690-696;
312/208.1, 223.2, 7.2; D13/153, 151; 341/12;
248/917-924; 345/104, 133, 156, 168, 87,
345/173; 349/1, 2, 11, 62
See application file for complete search history.

(56) **References Cited**

U.S. PATENT DOCUMENTS

- D332,881 S * 2/1993 Blackburn et al. D6/450
- D341,730 S * 11/1993 Sampson et al. D6/450
- D410,699 S * 6/1999 Herlitz et al. D21/318
- D495,703 S * 9/2004 Ma D14/371
- D496,043 S * 9/2004 Lin D14/371

- D519,949 S * 5/2006 Lin D14/126
- D521,685 S * 5/2006 Cho D28/55
- D529,968 S * 10/2006 Frankel D21/699
- D531,146 S * 10/2006 Lin D14/126
- D543,520 S * 5/2007 Chiu D14/126

* cited by examiner

Primary Examiner—Raphael Barkai

Assistant Examiner—Randall H Gholson

(74) *Attorney, Agent, or Firm*—Harness, Dickey & Pierce,
P.L.C.

(57) **CLAIM**

The ornamental design for a television stand, as shown and described.

DESCRIPTION

FIG. 1 is a perspective view of the television stand, showing my new design;

FIG. 2 is a front elevation view thereof;

FIG. 3 is a rear elevation view thereof;

FIG. 4 is a left side elevation view thereof;

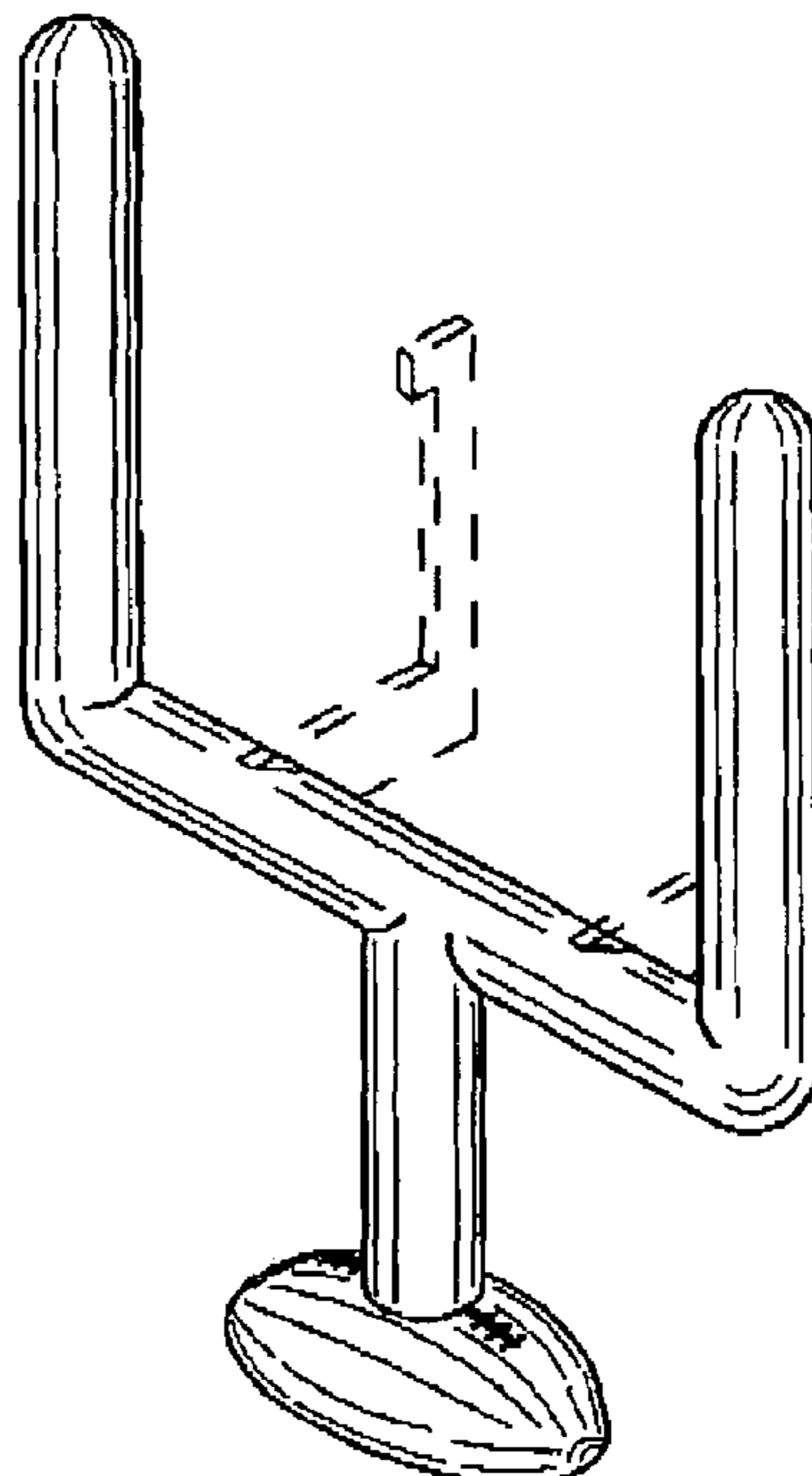
FIG. 5 is a right side elevation view thereof;

FIG. 6 is a top plan view thereof; and,

FIG. 7 is a bottom plan view thereof.

The details shown in broken lines are for illustrative purposes only and form no part of the claimed design.

1 Claim, 2 Drawing Sheets



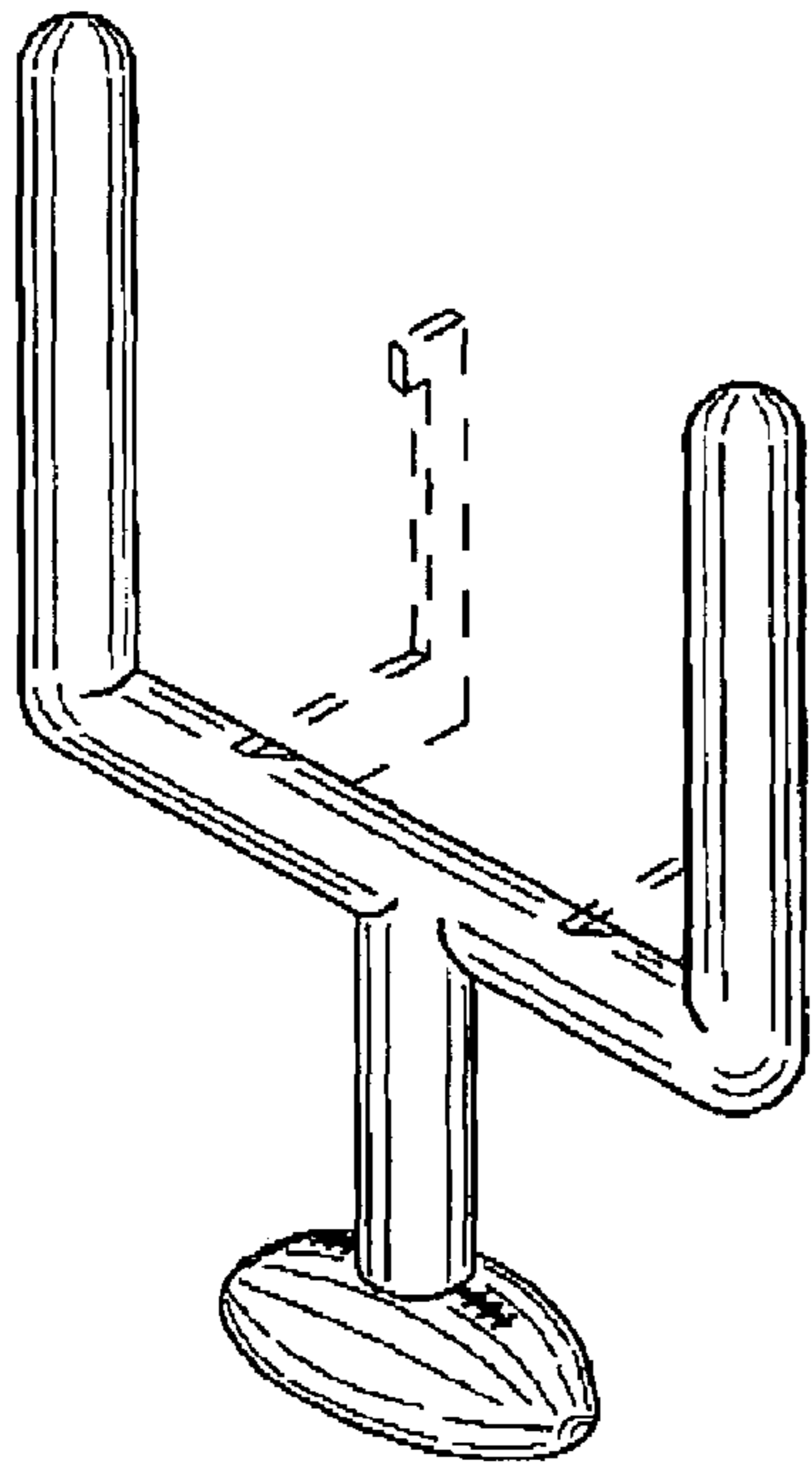


FIG. 1

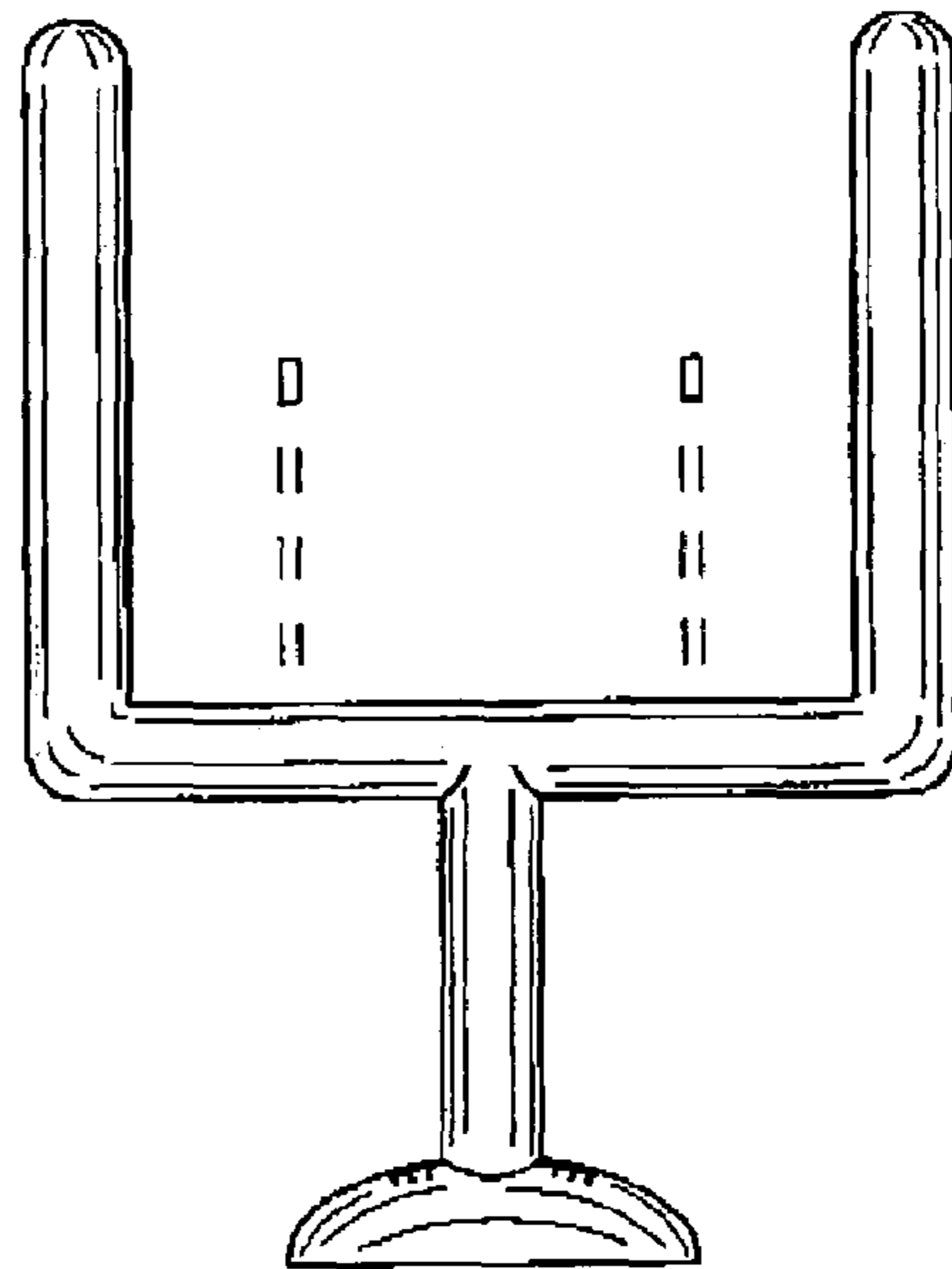


FIG. 2

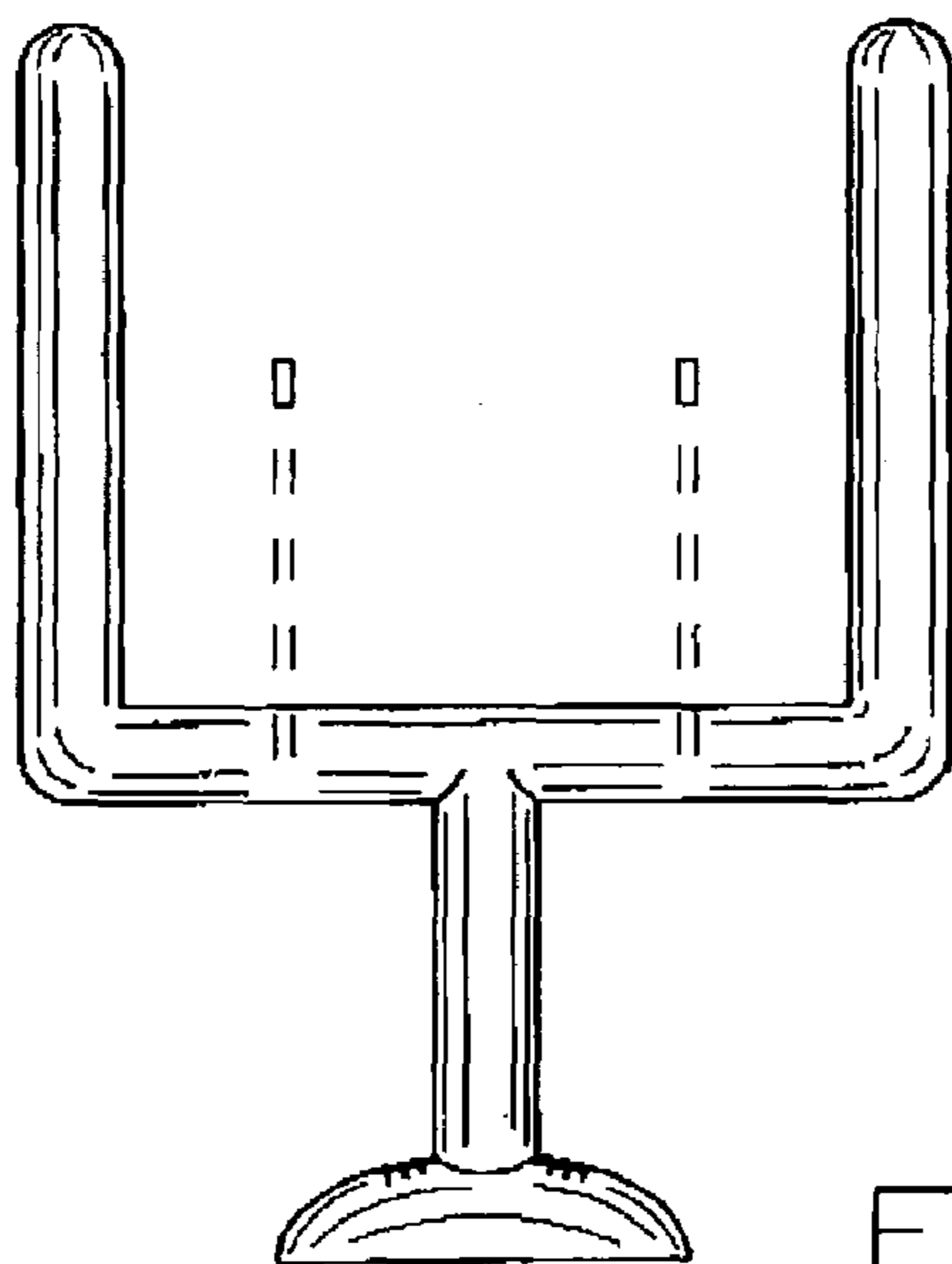


FIG. 3

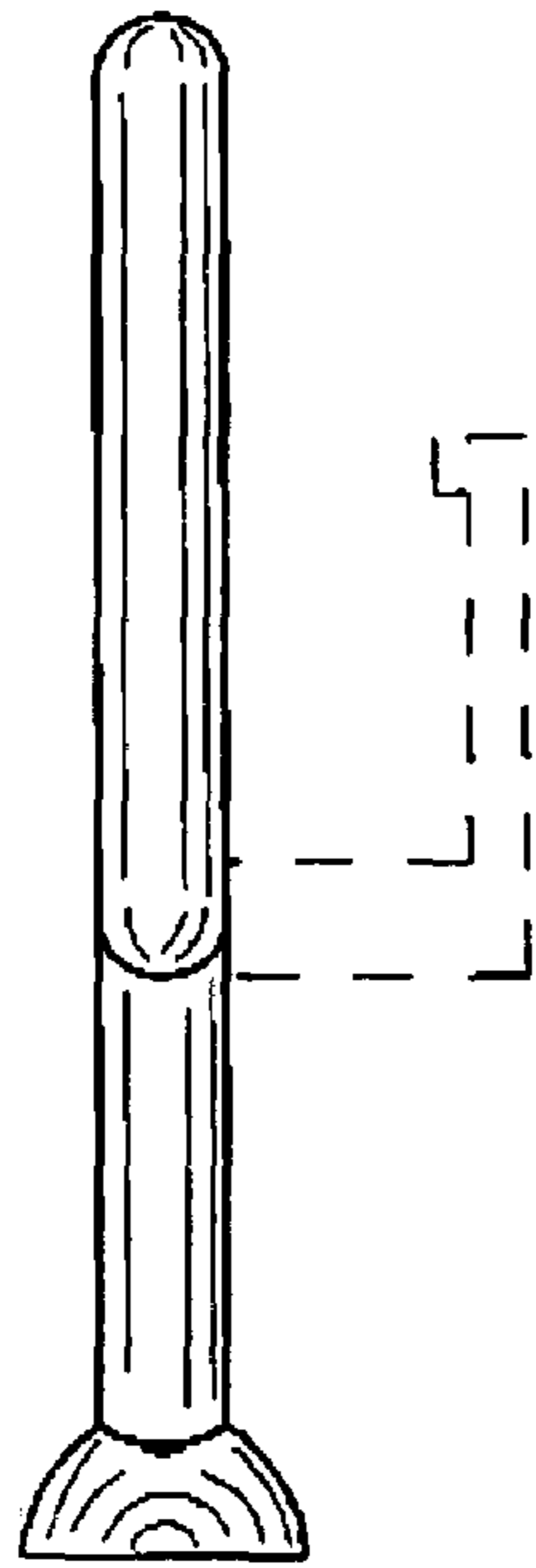


FIG. 4

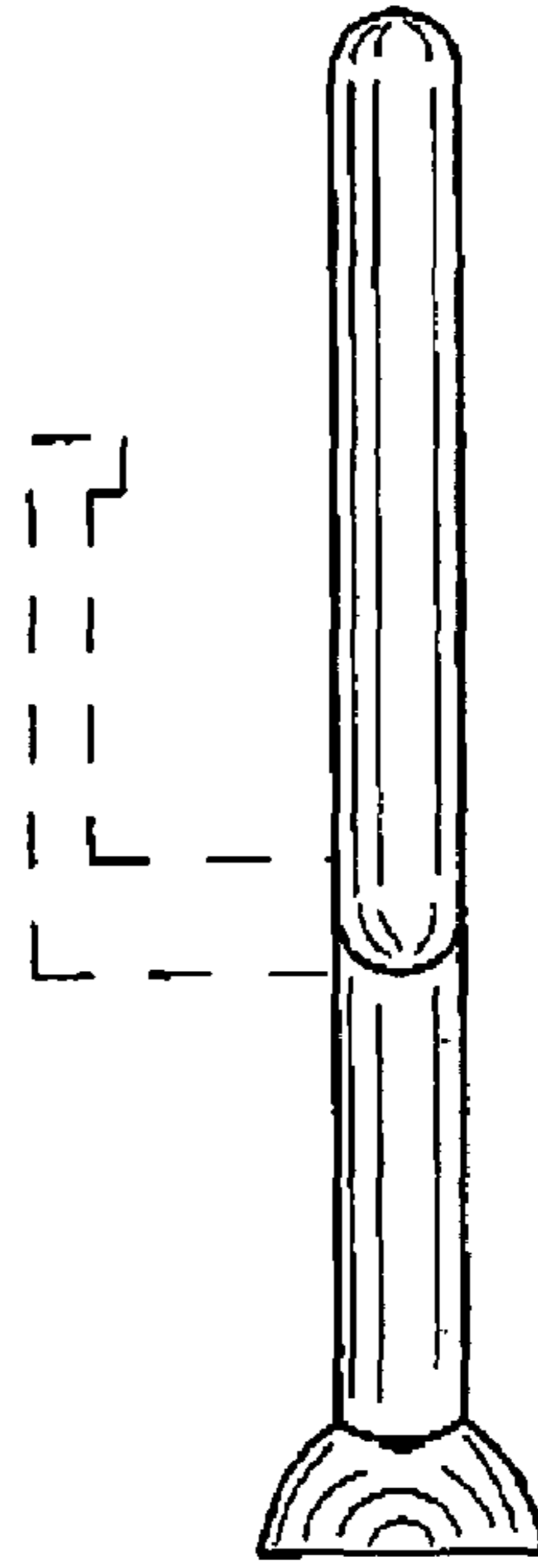


FIG. 5

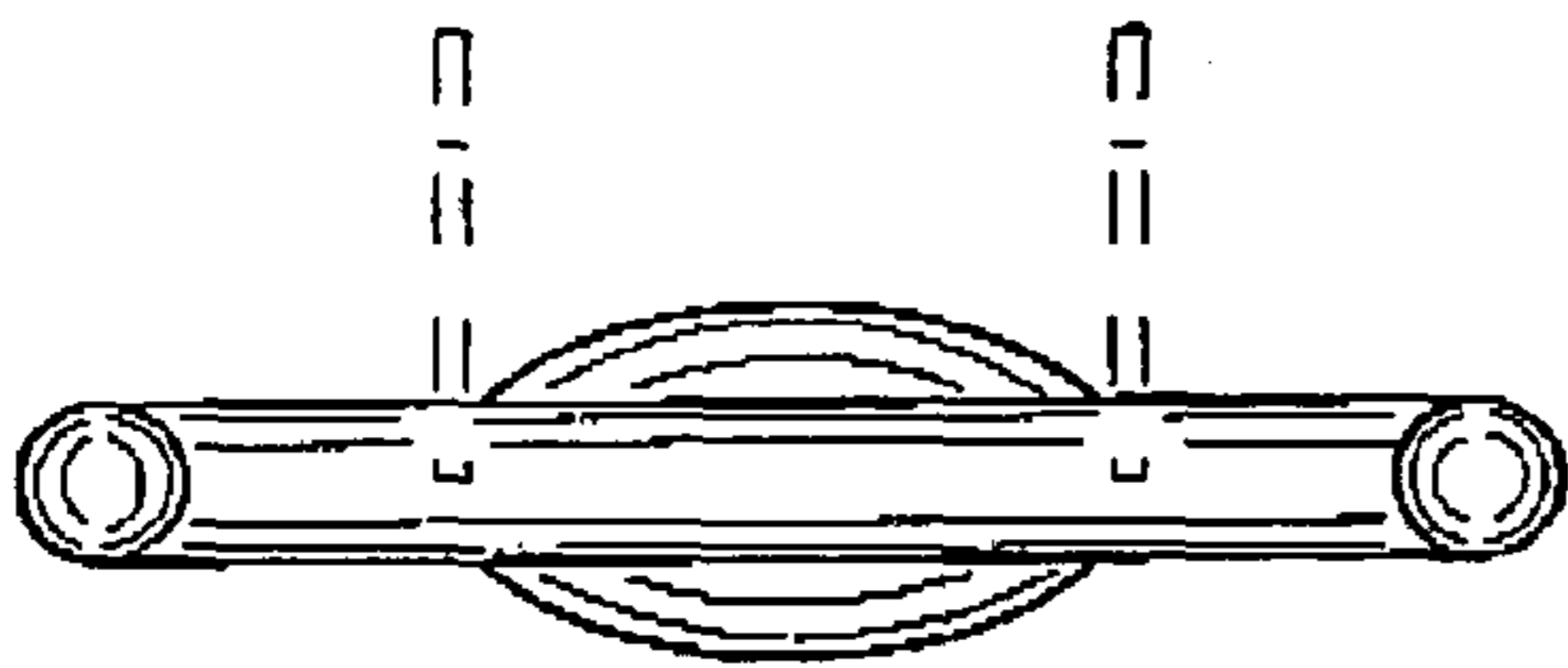


FIG. 6

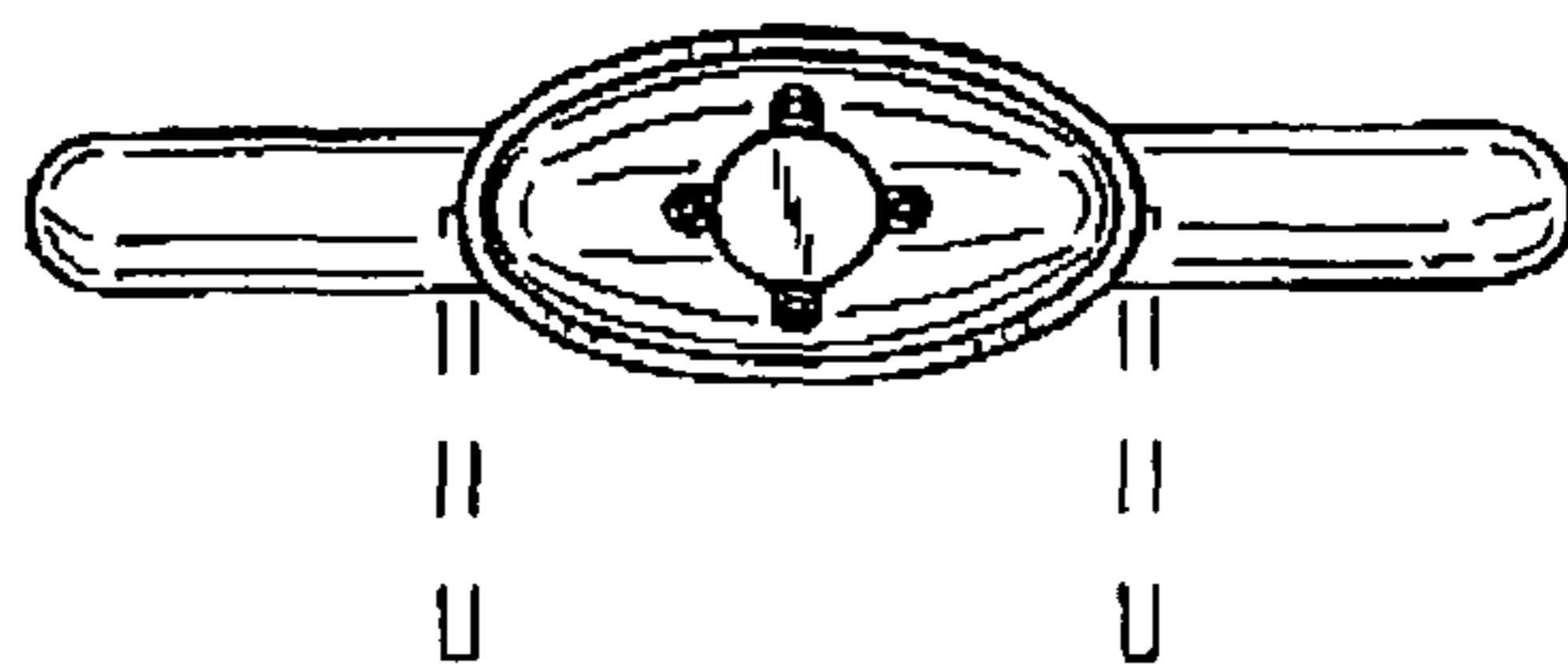


FIG. 7