

US00D571317S

(12) **United States Design Patent**
Choi et al.

(10) **Patent No.:** **US D571,317 S**
(45) **Date of Patent:** **** Jun. 17, 2008**

(54) **LED OF SIDE VIEW TYPE**

2007/0114555 A1* 5/2007 Takemoto et al. 257/99

(75) Inventors: **You Na Choi**, Seoul (KR); **Jong Won Park**, Jeonju-si (KR); **Chi Ok In**, Dangjin-gu (KR)

* cited by examiner

Primary Examiner—Selina Sikder
(74) *Attorney, Agent, or Firm*—Cantor Colburn LLP

(73) Assignee: **Alti-electronics Co., Ltd.** (KR)

(57) **CLAIM**

(**) Term: **14 Years**

We claim, the ornamental design for a LED of side view type, as shown and described.

(21) Appl. No.: **29/277,044**

(22) Filed: **Feb. 12, 2007**

Related U.S. Application Data

(63) Continuation-in-part of application No. 29/269,236, filed on Nov. 24, 2006.

DESCRIPTION

FIG. 1 is a front perspective view of a LED of side view type, showing our new design;

FIG. 2 is a front elevational view of the LED of side view type of FIG. 1;

FIG. 3 is a rear elevational view of the LED of side view type of FIG. 1;

FIG. 4 is a left side elevational view of the LED of side view type of FIG. 1;

FIG. 5 is a right side elevational view of the LED of side view type of FIG. 1;

FIG. 6 is a top plan view of the LED of side view type of FIG. 1;

FIG. 7 is a bottom plan view of the LED of side view type of FIG. 1;

FIG. 8 is a cross-sectional view of the LED of side view type taken along line 8—8 in FIG. 2; and,

FIG. 9 is a bottom and rear perspective view of the LED of side view type of FIG. 1.

The broken lines shown in the figures are for illustrative purposes only and form no part of the claimed design.

(30) **Foreign Application Priority Data**

Jan. 30, 2007 (KR) 30-2007-0004184

(51) **LOC (8) Cl.** **13-03**

(52) **U.S. Cl.** **D13/180**

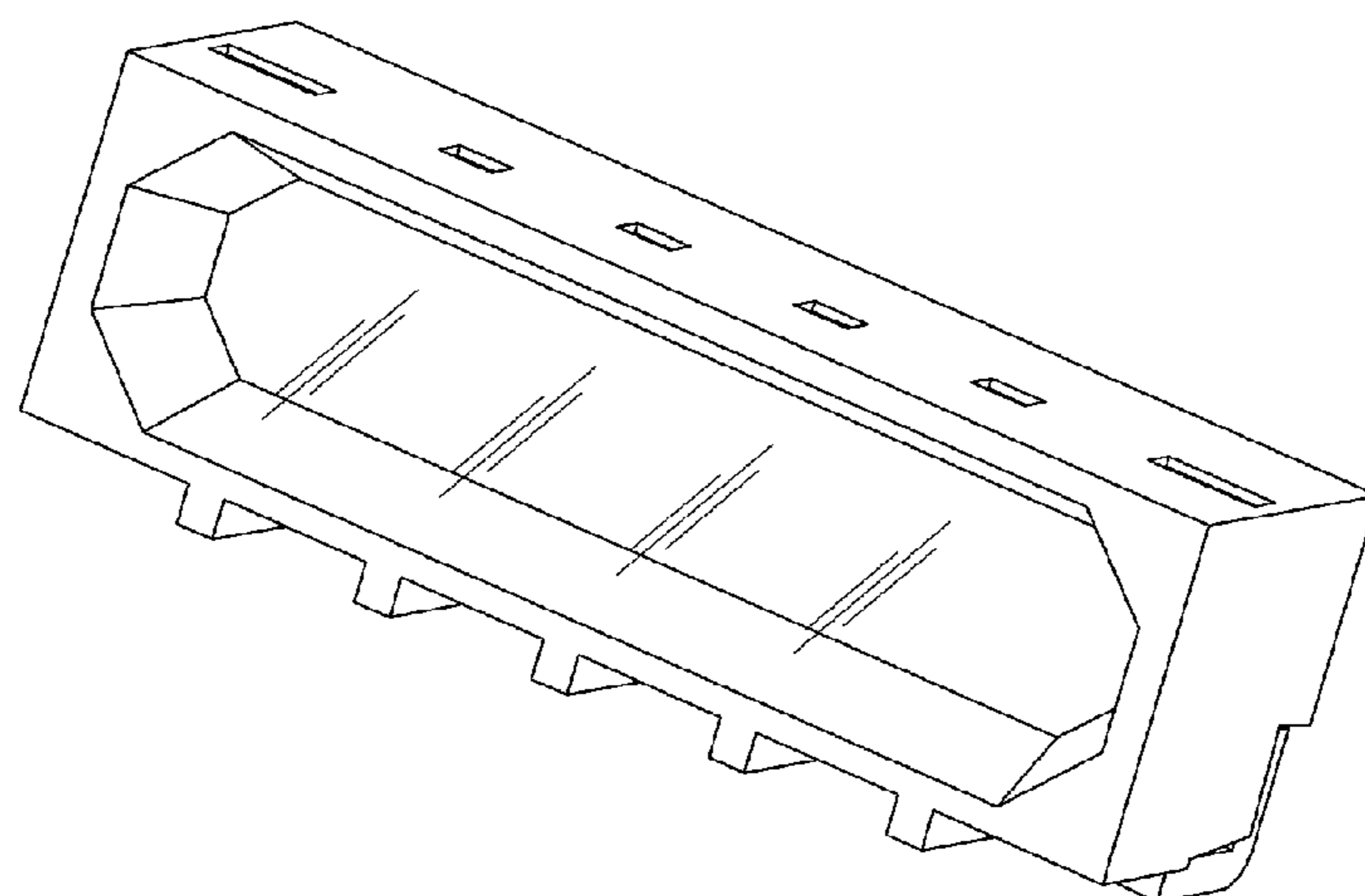
(58) **Field of Classification Search** D13/180;
D26/2; 257/79, 80, 81, 88, 89, 95, 98, 99,
257/100; 313/483, 498, 500; 362/555, 800
See application file for complete search history.

(56) **References Cited**

U.S. PATENT DOCUMENTS

- D476,960 S * 7/2003 Fukasawa et al. D13/182
- D548,704 S * 8/2007 Wu et al. D13/180
- 7,279,723 B2 * 10/2007 Matsumura et al. 257/100
- 2002/0149314 A1* 10/2002 Takahashi et al. 313/500
- 2006/0284207 A1* 12/2006 Park et al. 257/99
- 2007/0029915 A1* 2/2007 Kim et al. 313/483
- 2007/0063213 A1* 3/2007 Hsieh et al. 257/99

1 Claim, 9 Drawing Sheets



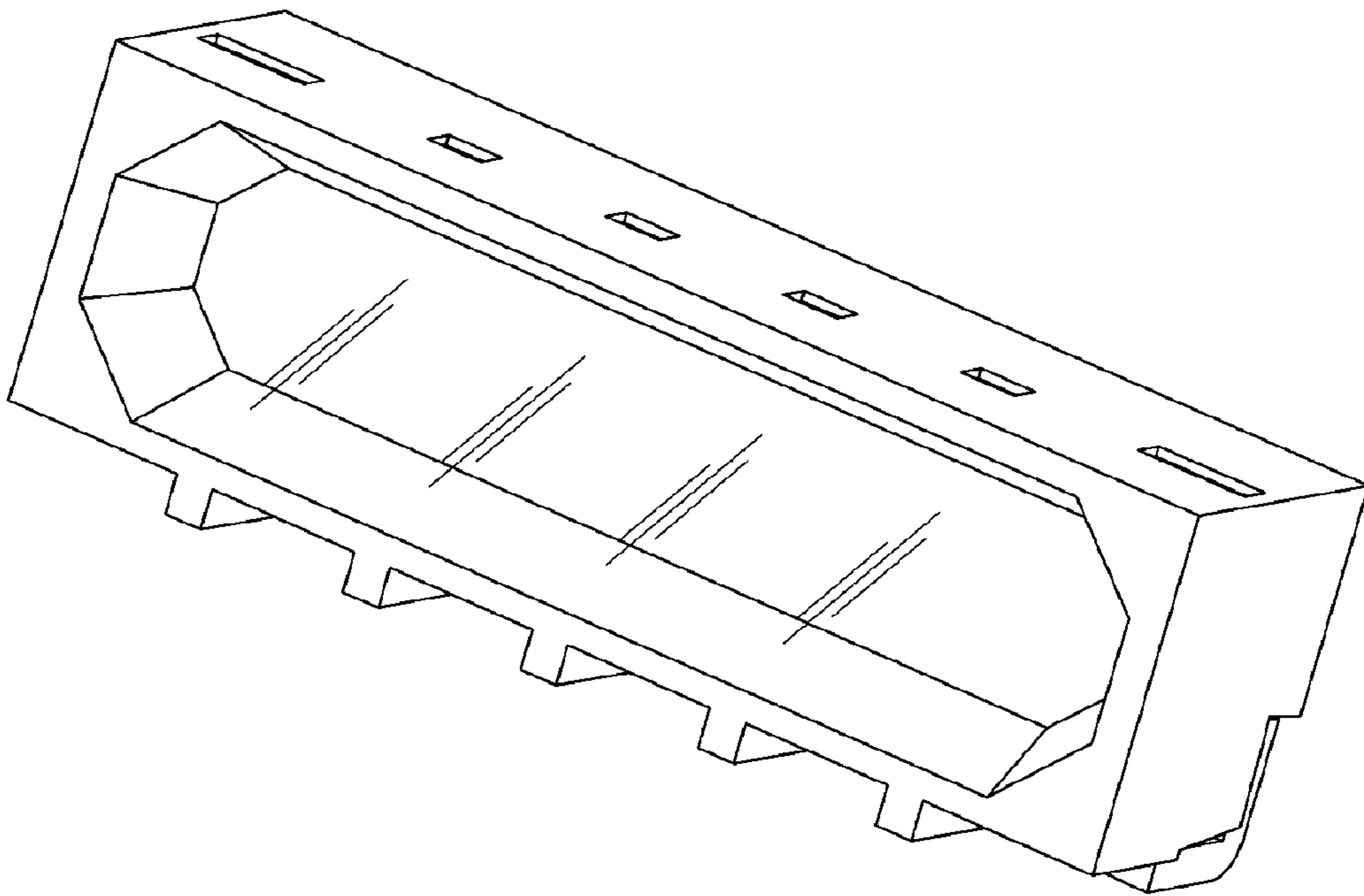


FIG. 1

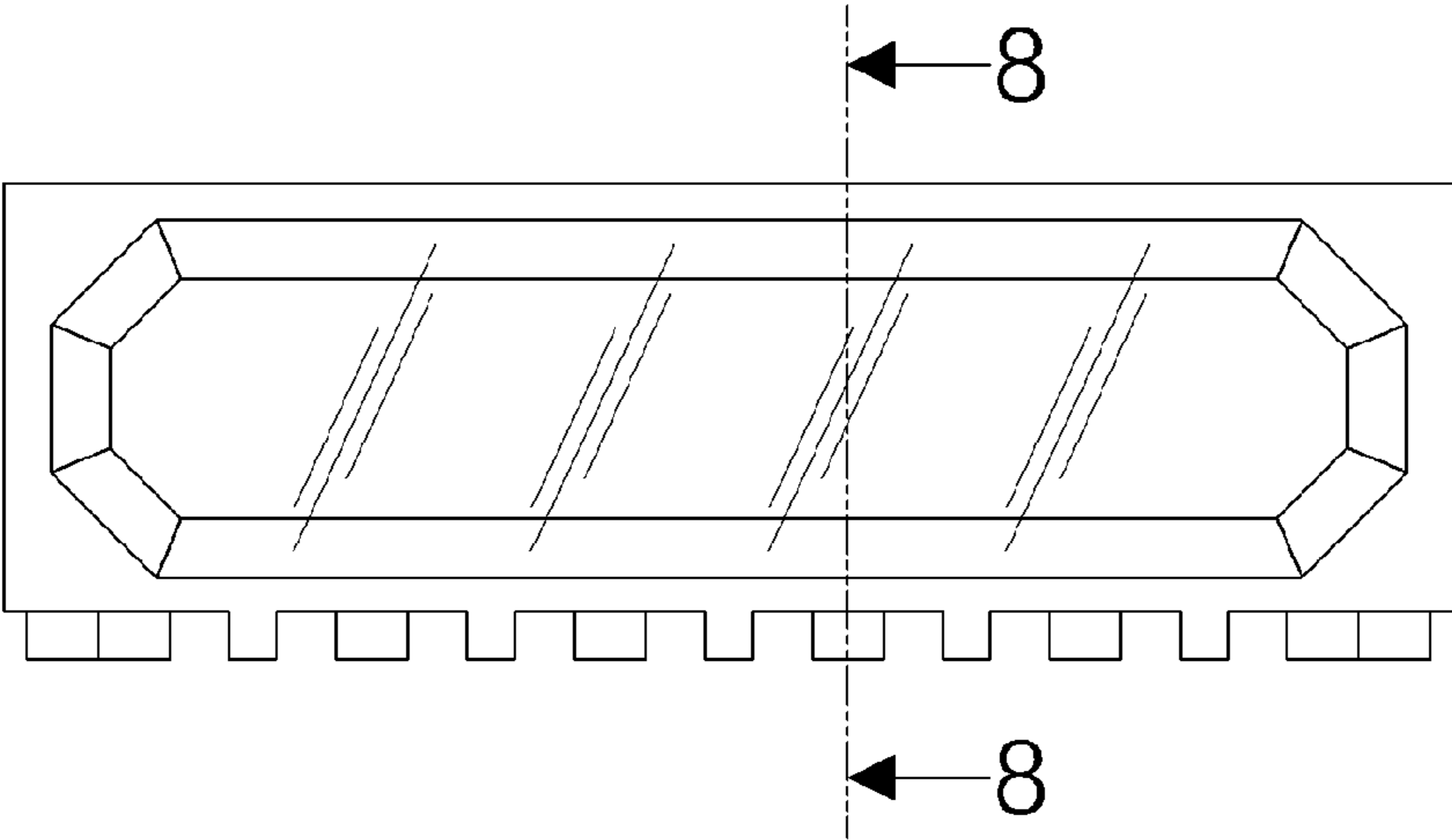


FIG. 2

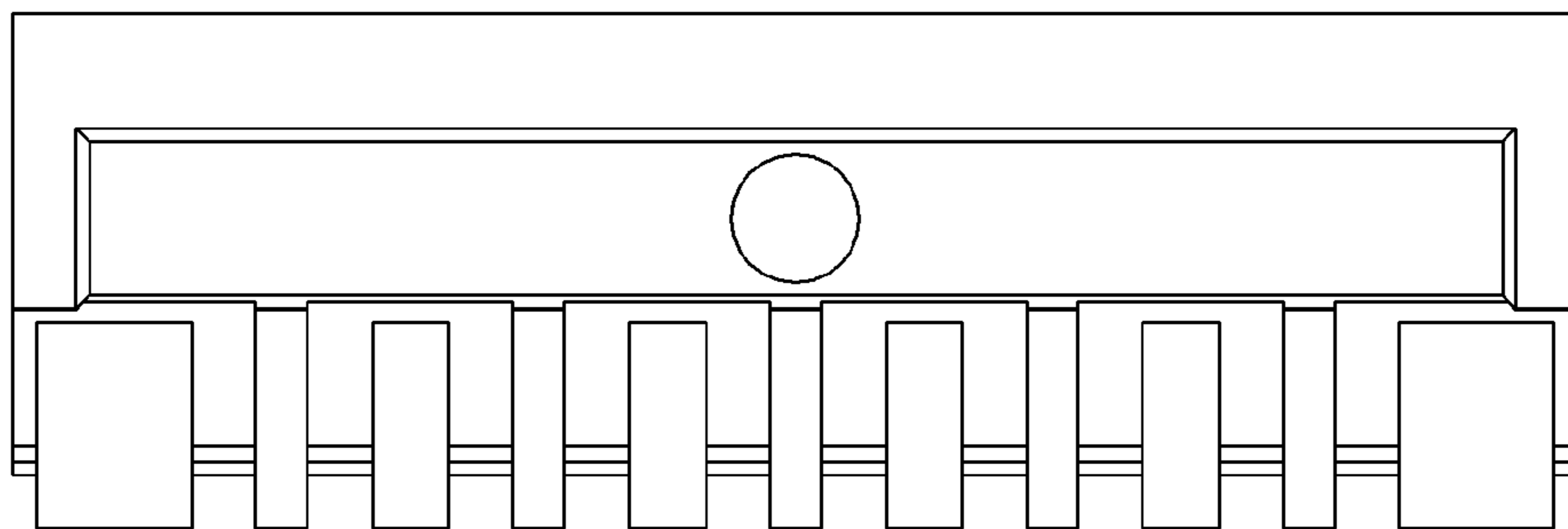


FIG. 3

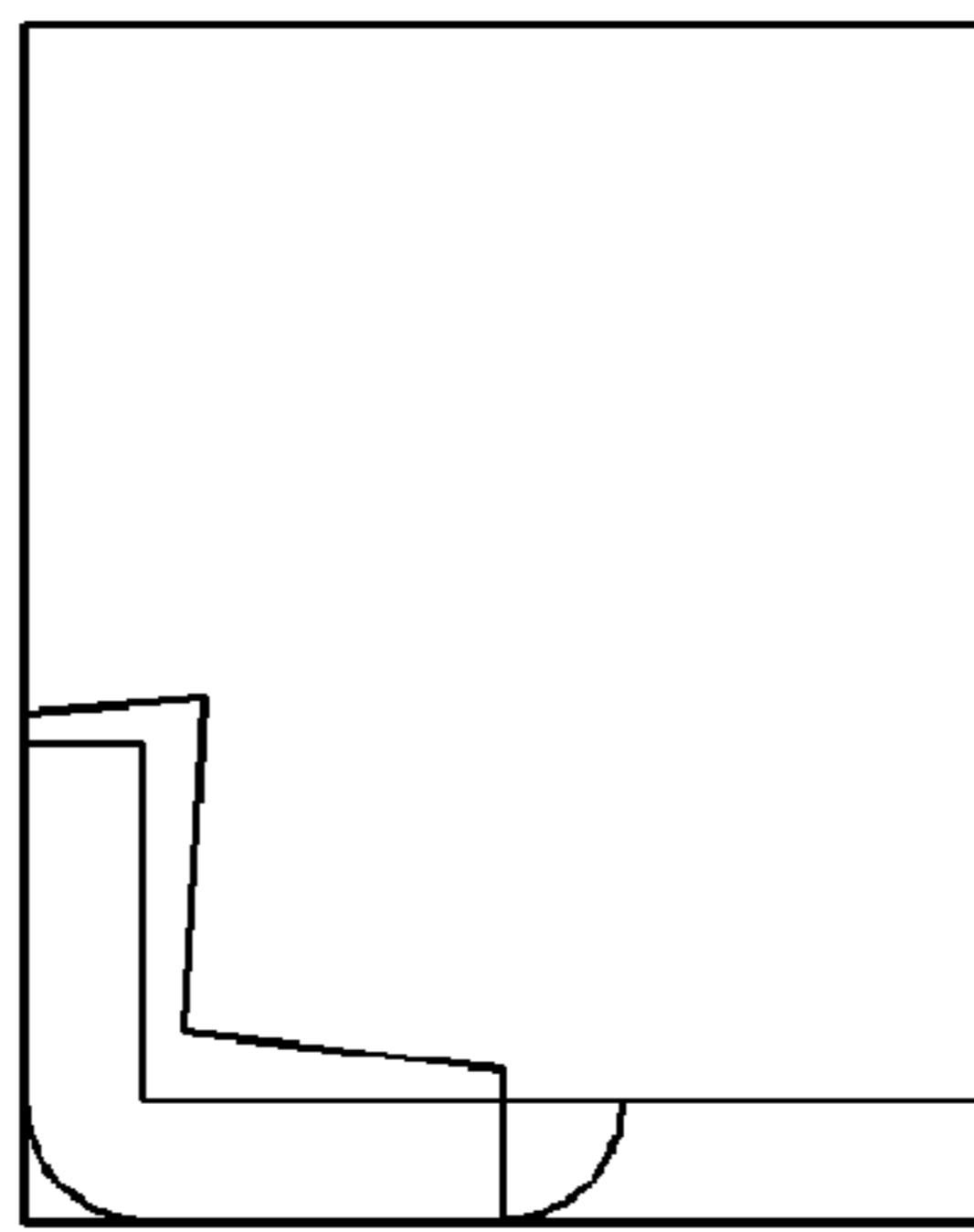


FIG. 4

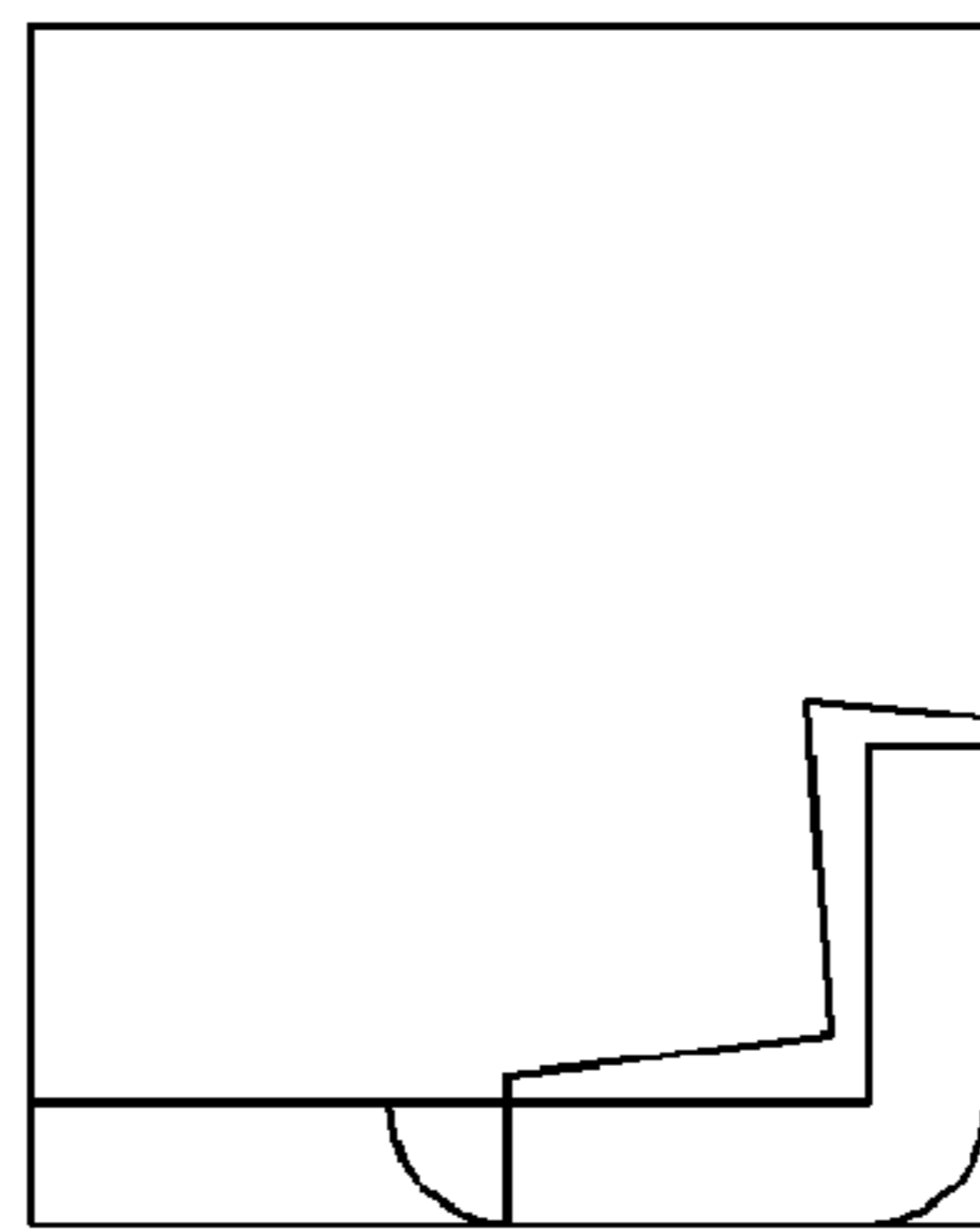


FIG. 5

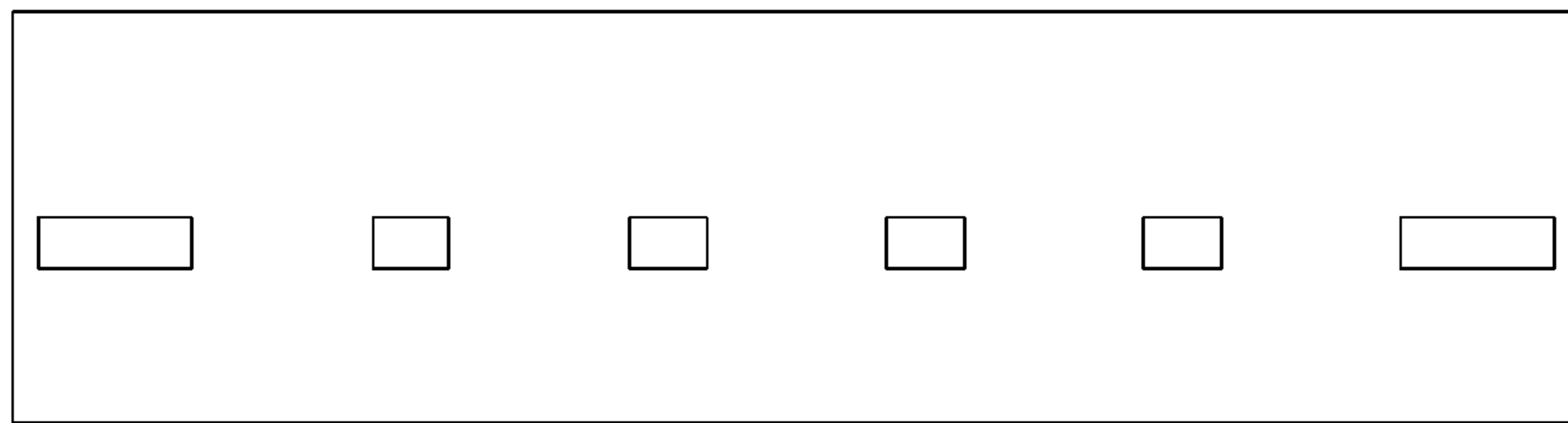


FIG. 6

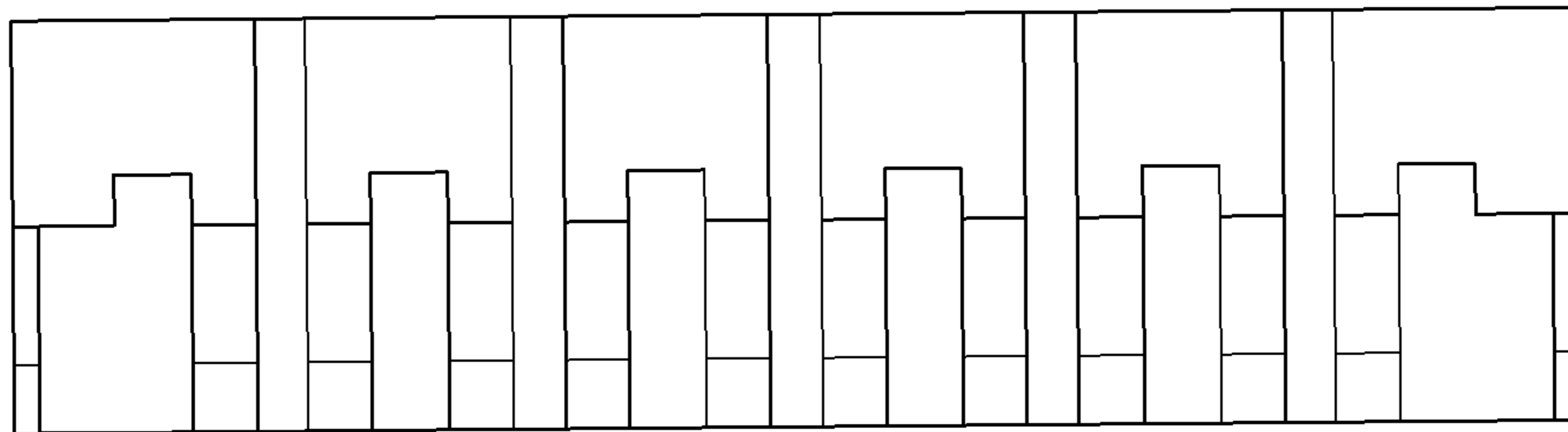


FIG. 7

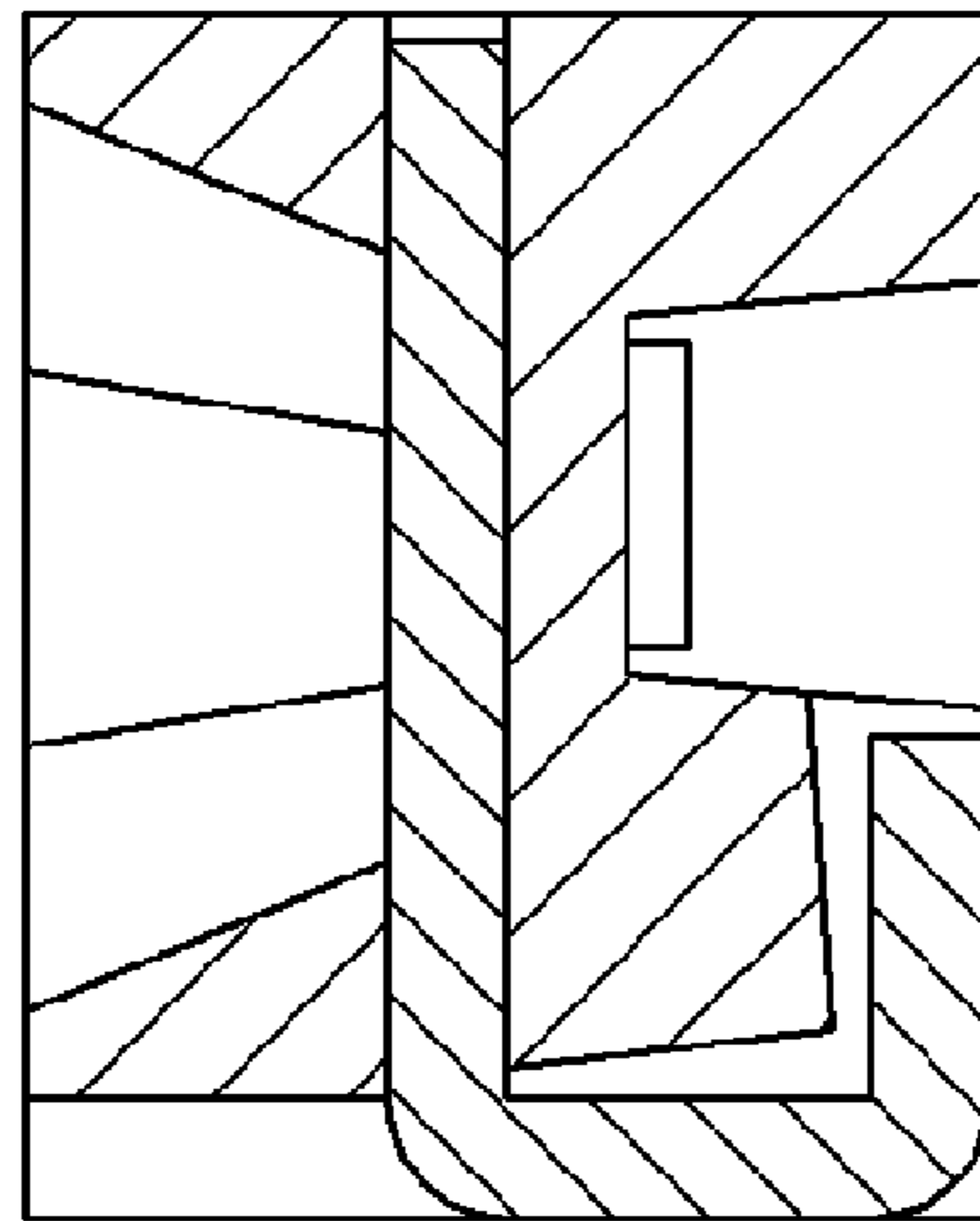


FIG. 8

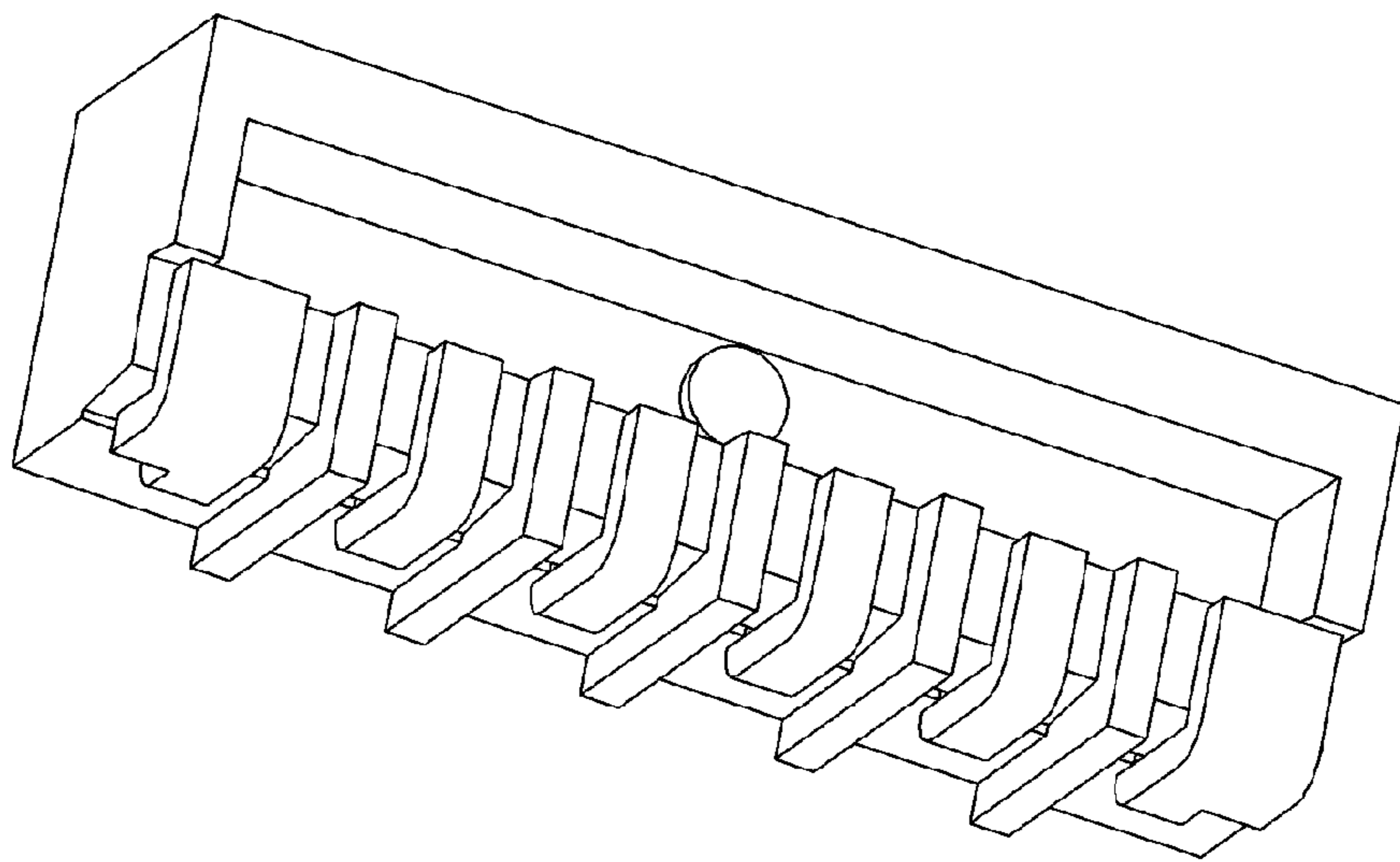


FIG. 9