



US00D571315S

(12) **United States Design Patent**
Oon et al.

(10) **Patent No.:** **US D571,315 S**
(45) **Date of Patent:** **** Jun. 17, 2008**

(54) **LIGHT EMITTING DIODE**

Primary Examiner—Selina Sikder

(75) Inventors: **Su Lin Oon**, Penang (MY); **Eng Chuan Ong**, Penang (MY); **Klan Shin Lee**, Penang (MY); **Meng Ee Lee**, Penang (MY)

(57) **CLAIM**

The ornamental design for a light emitting diode, as shown and described.

(73) Assignee: **Avago Technologies ECBU IP (Singapore) Pte Ltd**, Singapore (SG)

DESCRIPTION

(**) Term: **14 Years**

(21) Appl. No.: **29/261,775**

(22) Filed: **Jun. 19, 2006**

(51) **LOC (8) Cl.** **13-03**

(52) **U.S. Cl.** **D13/180**

(58) **Field of Classification Search** D13/180;
D26/2; 257/79, 80, 81, 82, 88, 89, 95, 98,
257/99, 100, 678, 680, 433, 434; 313/483,
313/498, 500; 361/820; 362/555, 800

See application file for complete search history.

(56) **References Cited**

U.S. PATENT DOCUMENTS

5,951,152	A	9/1999	Zabawski et al.	
D491,899	S	6/2004	Yagi	
D494,550	S	8/2004	Hoshiba	
D495,304	S	8/2004	Kim et al.	
D505,396	S	5/2005	Hoshiba	
D505,397	S *	5/2005	Asakawa	D13/180
D510,912	S *	10/2005	Asakawa	D13/180
D512,029	S	11/2005	Kim et al.	
D517,025	S *	3/2006	Asakawa	D13/180
D520,965	S *	5/2006	Omata	D13/180
D522,468	S	6/2006	Song	
D528,515	S	9/2006	Sumitani	
D528,997	S *	9/2006	Jung et al.	D13/180

(Continued)

FOREIGN PATENT DOCUMENTS

JP	1223316	11/2004
TW	577708	4/2002
TW	596227	1/2003

FIG. 1 is a perspective view of the front, top, and left side of a light emitting diode showing the new design, the features shown in broken lines being for illustrative purpose only and forming no part of the claimed design.

FIG. 2 is a perspective view of the bottom and right side of the light emitting diode shown in FIG. 1, the features shown in broken lines being for illustrative purpose only and forming no part of the claimed design.

FIG. 3 is a bottom view of the light emitting diode shown in FIG. 1, the features shown in broken lines being for illustrative purpose only and forming no part of the claimed design.

FIG. 4 is a top view of the light emitting diode shown in FIG. 1, the features shown in broken lines being for illustrative purpose only and forming no part of the claimed design.

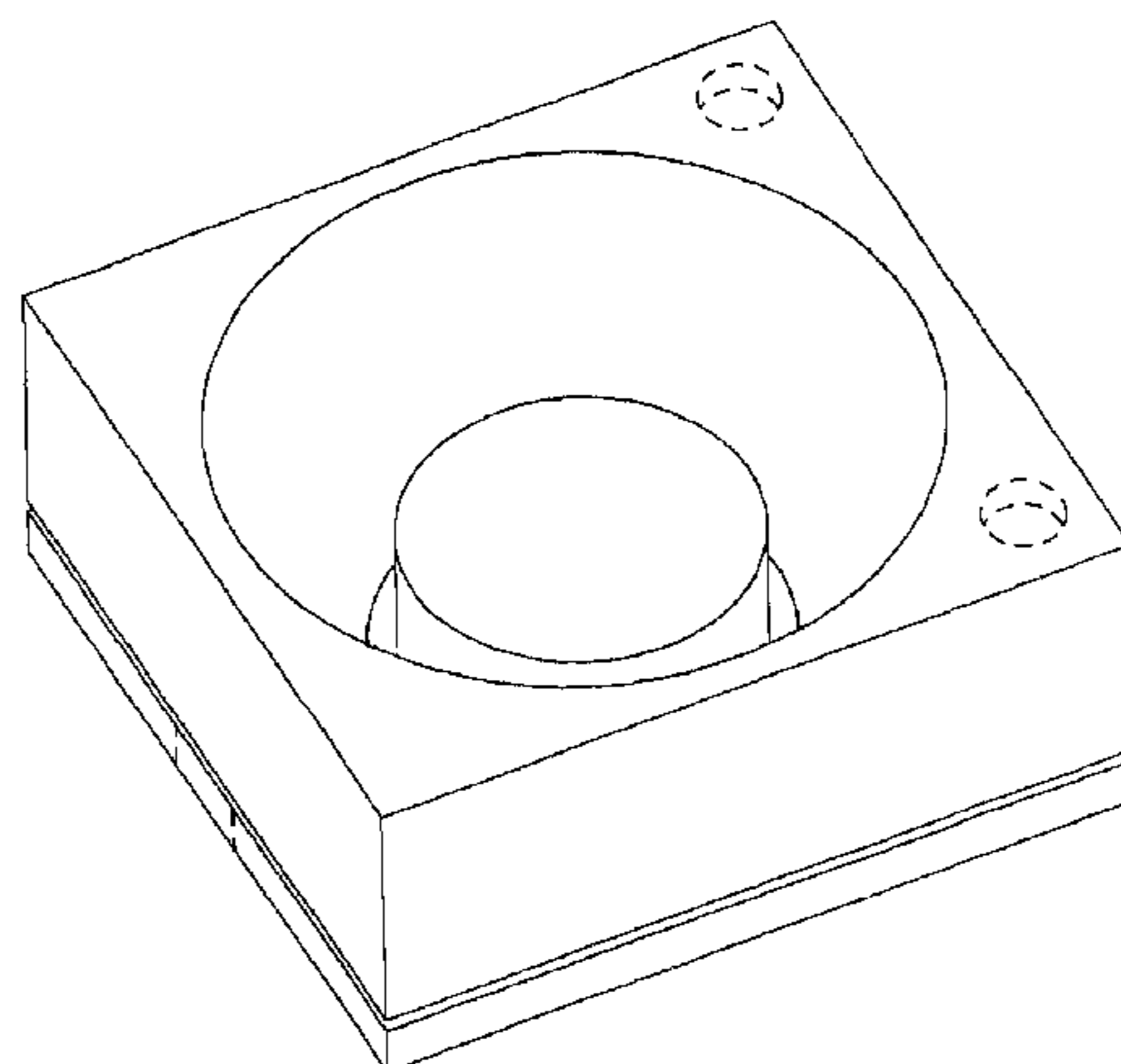
FIG. 5 is view of the backside of the light emitting diode shown in FIG. 1, the features shown in broken lines being for illustrative purpose only and forming no part of the claimed design.

FIG. 6 is view of the right side of the light emitting diode shown in FIG. 1, the features shown in broken lines being for illustrative purpose only and forming no part of the claimed design.

FIG. 7 is view of the front side of the light emitting diode shown in FIG. 1, the features shown in broken lines being for illustrative purpose only and forming no part of the claimed design; and,

FIG. 8 is view of the left side of the light emitting diode shown in FIG. 1, the features shown in broken lines being for illustrative purpose only and forming no part of the claimed design.

1 Claim, 3 Drawing Sheets



US D571,315 S

Page 2

U.S. PATENT DOCUMENTS

2004/0079957	A1*	4/2004	Andrews et al.	257/100	2005/0127816	A1	6/2005	Sumitani	
2004/0201987	A1*	10/2004	Omata	362/230	2006/0102917	A1*	5/2006	Oyama et al.	257/99
2005/0051789	A1*	3/2005	Negley et al.	257/99	2006/0157726	A1*	7/2006	Loh et al.	257/100
					2007/0029569	A1*	2/2007	Andrews	257/99

* cited by examiner

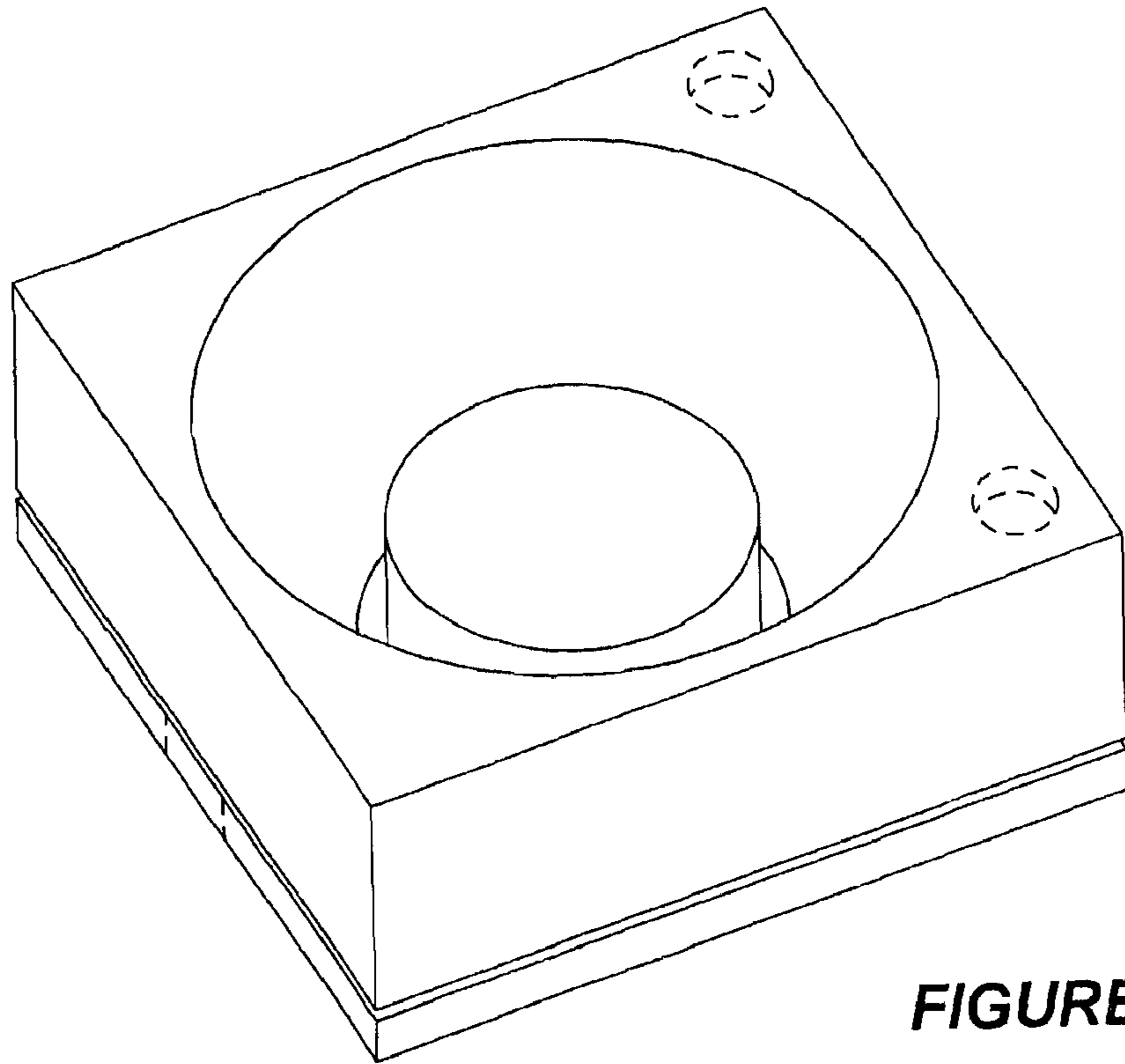


FIGURE 1

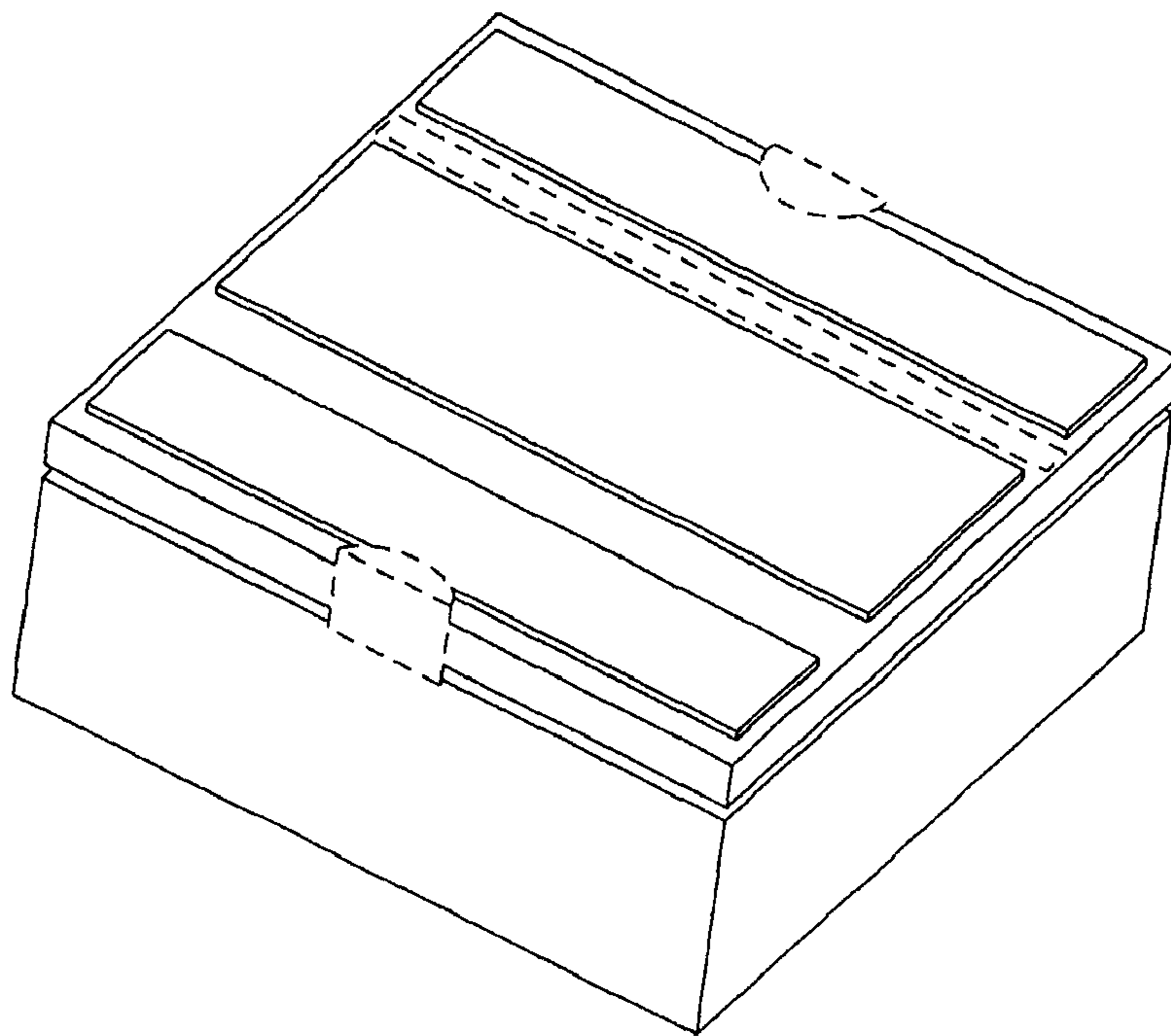


FIGURE 2

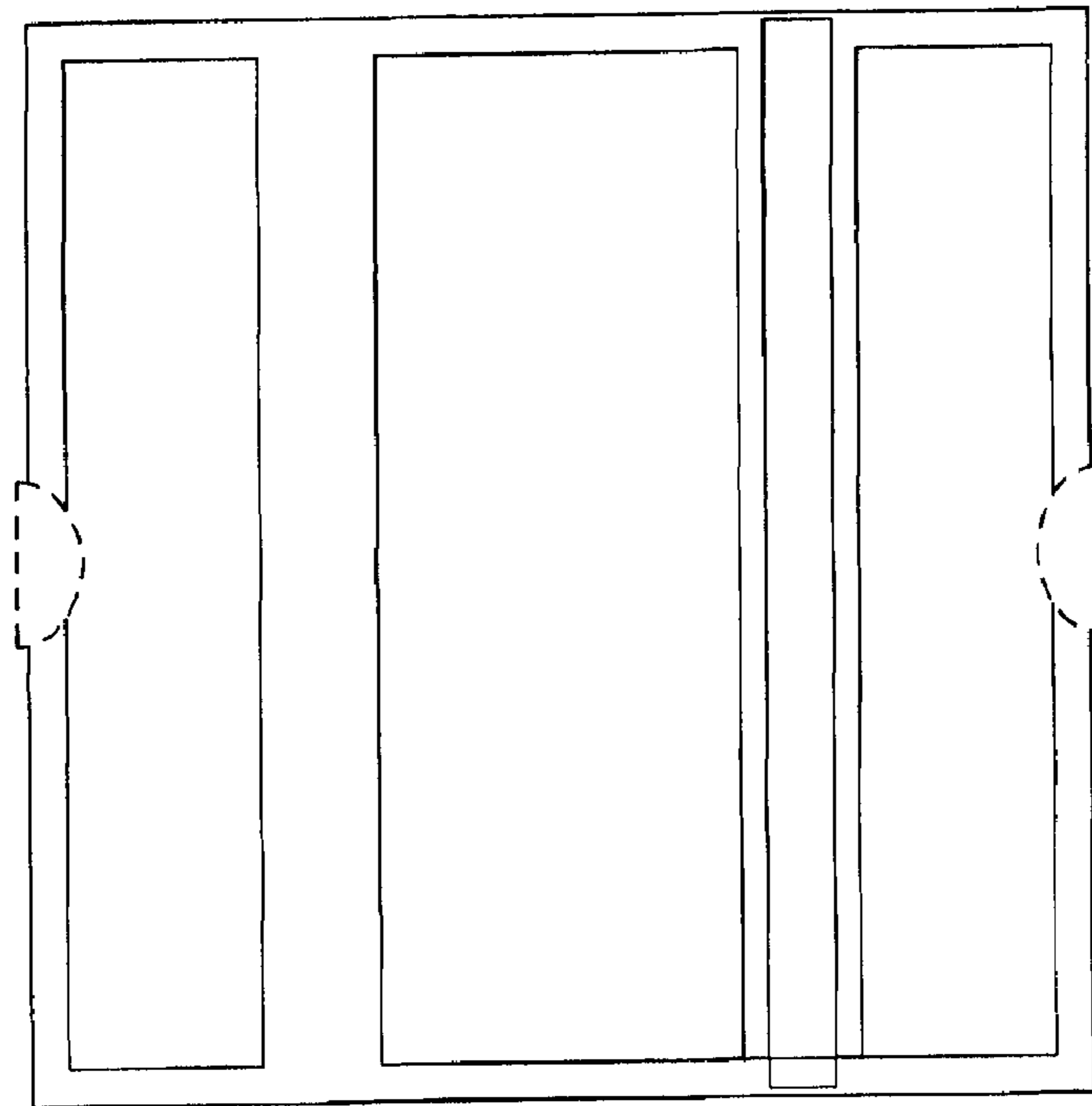


FIGURE 3

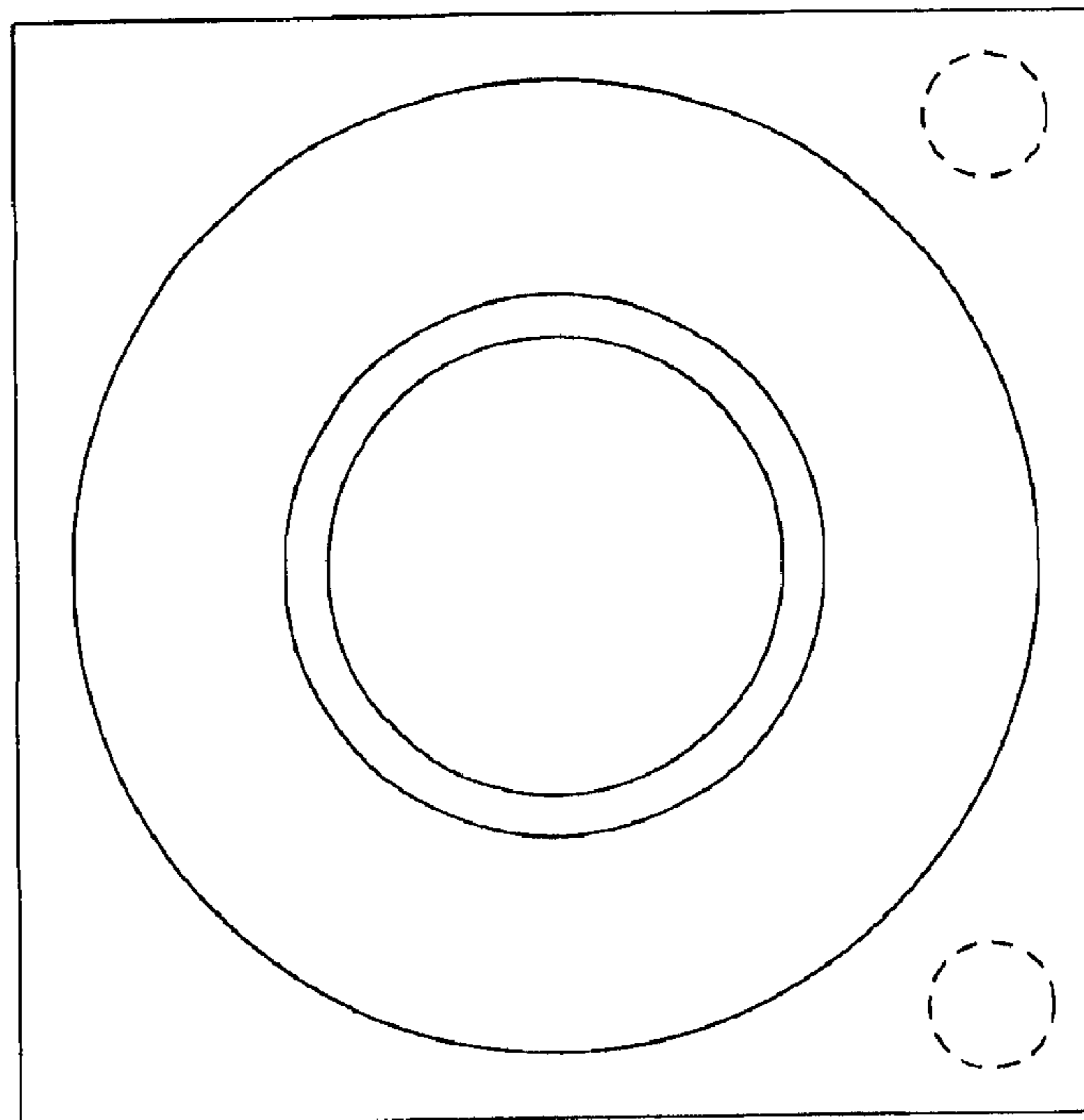


FIGURE 4

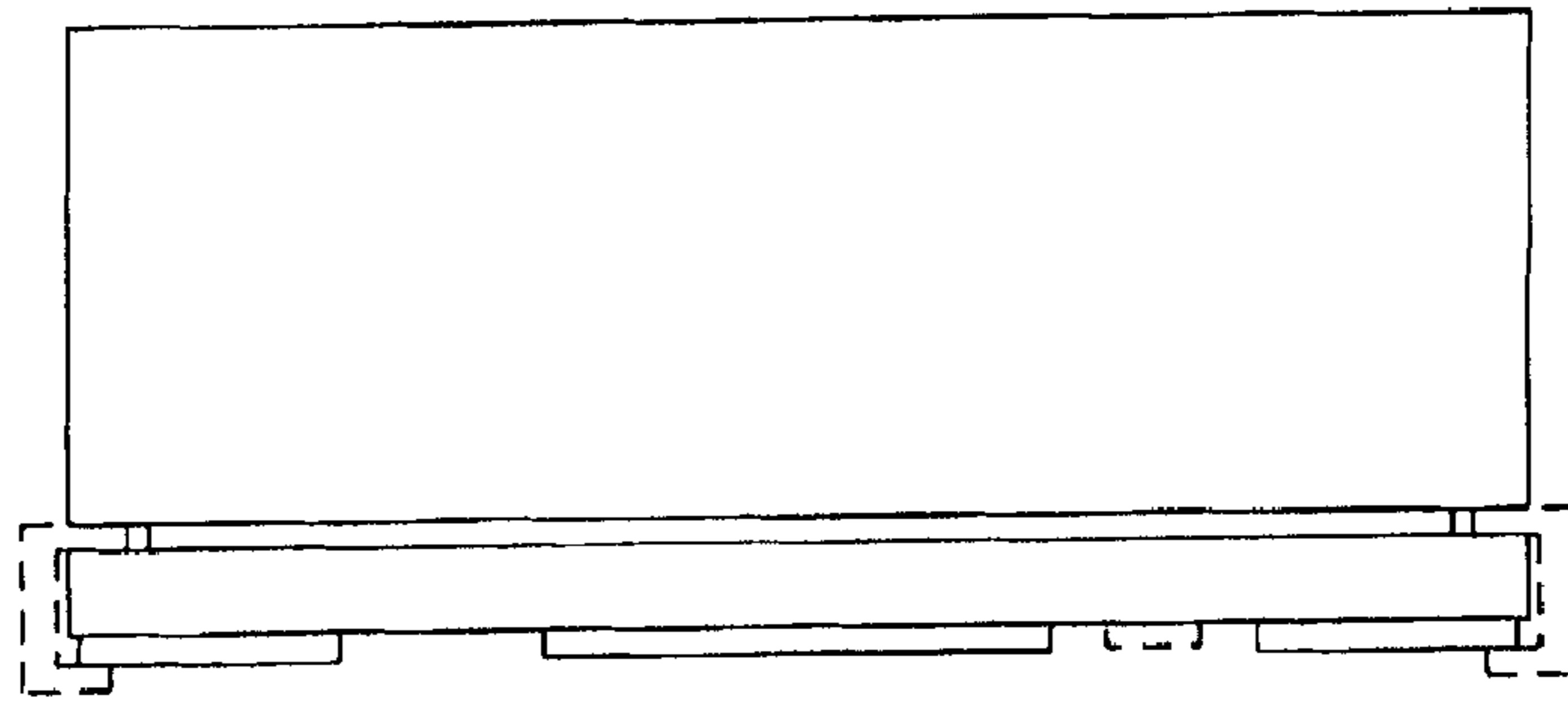


FIGURE 5

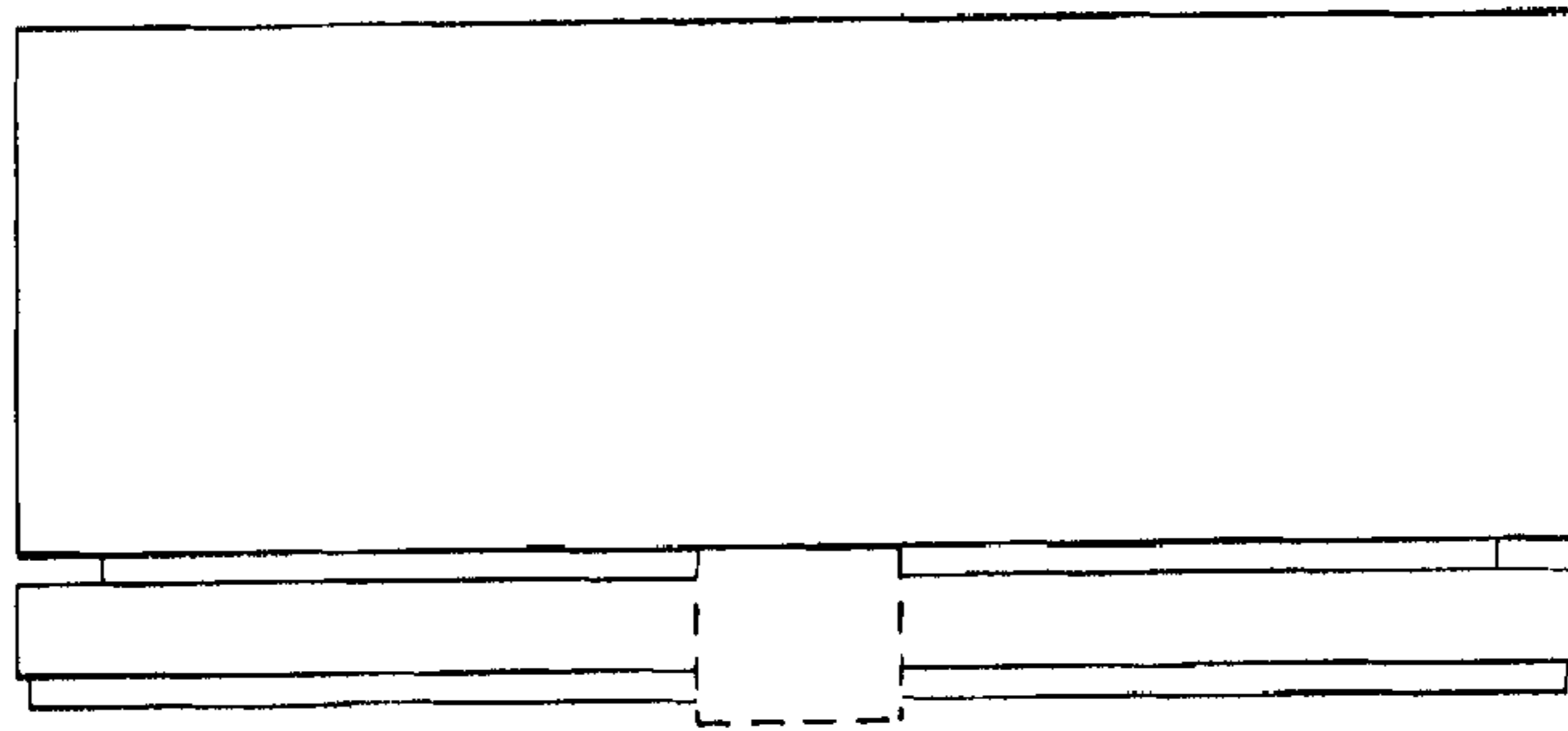


FIGURE 6

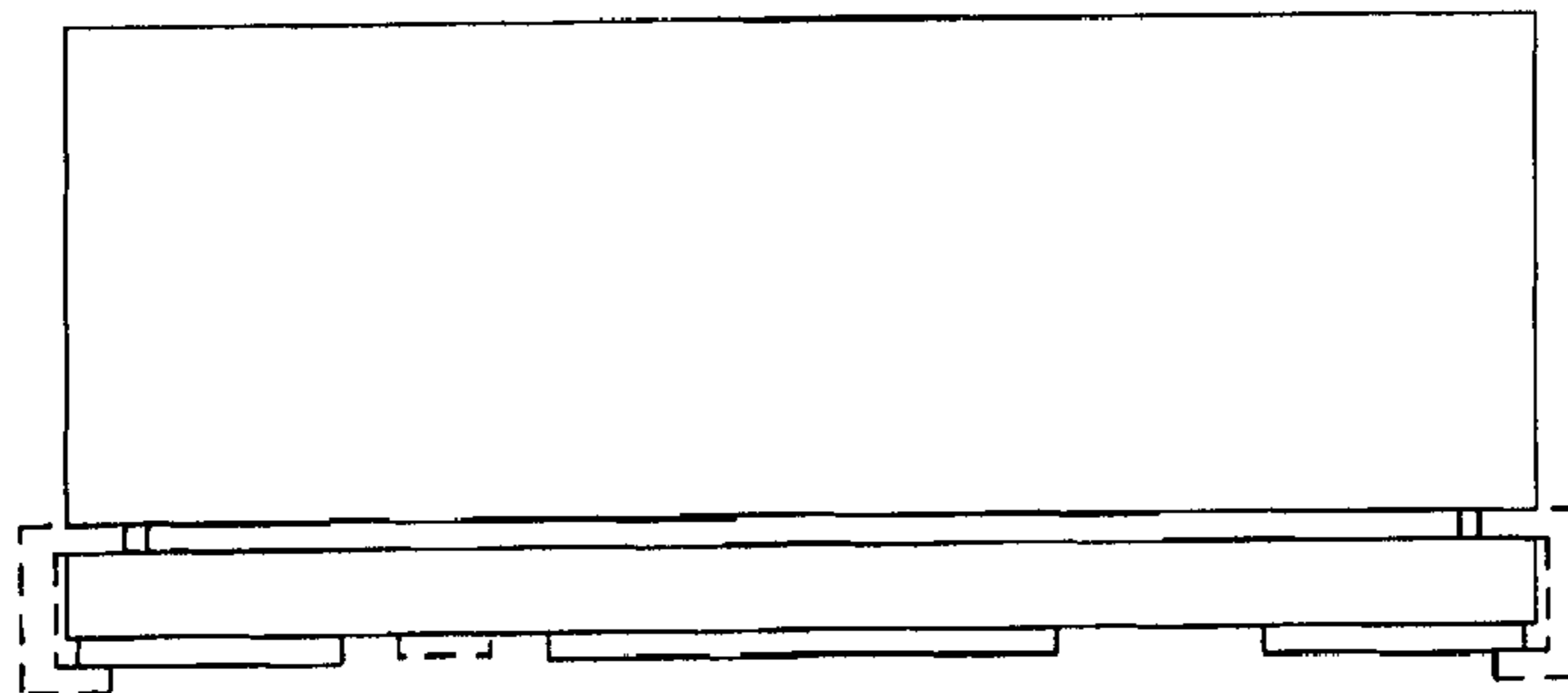


FIGURE 7

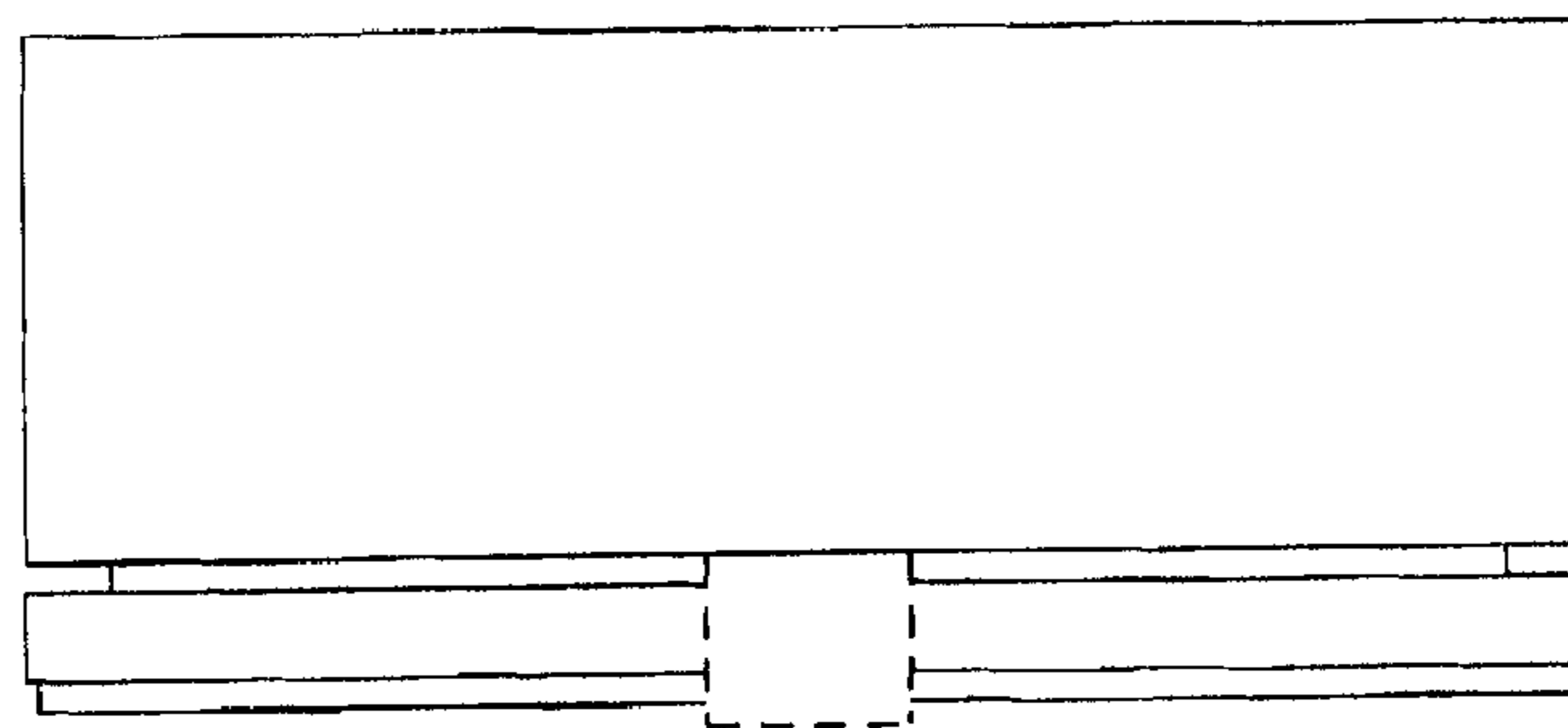


FIGURE 8