

US00D571311S

(12) **United States Design Patent**  
**Fort et al.**

(10) **Patent No.:** **US D571,311 S**  
(45) **Date of Patent:** **\*\* Jun. 17, 2008**

(54) **PROFILE PORTION OF AN ELECTRICAL SWITCH**

(75) Inventors: **Tucker H. Fort**, New York, NY (US);  
**Mark B. Greenwald**, Westport, CT (US);  
**Jean Claude Marcou**, Limoges (FR);  
**Jay J. Mendelson**, Hartsdale, NY (US)

(73) Assignee: **Cooper Technologies Company**,  
Houston, TX (US)

(\*\*) Term: **14 Years**

(21) Appl. No.: **29/260,611**

(22) Filed: **May 26, 2006**

**Related U.S. Application Data**

(60) Continuation of application No. 29/242,700, filed on Nov. 14, 2005, now Pat. No. Des. 542,237, which is a division of application No. 29/221,556, filed on Jan. 18, 2005, now Pat. No. Des. 511,503, which is a division of application No. 29/193,478, filed on Nov. 10, 2003, now Pat. No. Des. 505,394.

(51) **LOC (8) Cl.** ..... **13-03**

(52) **U.S. Cl.** ..... **D13/173; D13/177**

(58) **Field of Classification Search** ..... D13/162,  
D13/164, 169, 170, 171; D10/108, 116,  
D10/118; D8/353; 200/5 A, 293, 296, 297,  
200/329, 333, 335, 339, 341, 520, 530, 537,  
200/552; 220/241; 307/125, 139; 315/291-296  
See application file for complete search history.

(56) **References Cited**

**U.S. PATENT DOCUMENTS**

4,631,354 A 12/1986 Boteler  
4,649,323 A 3/1987 Pearlman et al.  
4,835,343 A 5/1989 Graef et al.  
D308,045 S 5/1990 Counts et al.  
D310,819 S 9/1990 Watson et al.  
D310,820 S 9/1990 Watson et al.  
D311,678 S 10/1990 Graef et al.

5,017,837 A 5/1991 Hanna et al.  
5,073,681 A 12/1991 Hubben et al.  
D325,567 S 4/1992 Jacoby, Jr. et al.  
D329,635 S 9/1992 Tsai  
D335,282 S 5/1993 Jurell et al.  
D335,867 S 5/1993 Rowen  
5,248,919 A 9/1993 Hanna et al.  
5,336,979 A 8/1994 Watson et al.  
D353,798 S 12/1994 Bryde et al.  
5,399,940 A 3/1995 Hanna et al.  
D364,141 S 11/1995 Hanna et al.  
D376,130 S 12/1996 Elwell et al.  
5,637,930 A 6/1997 Rowen et al.  
D380,451 S 7/1997 Krajci et al.  
D392,256 S 3/1998 Saint-Cyr et al.  
5,723,817 A 3/1998 Arenas et al.  
5,895,888 A 4/1999 Arenas et al.

(Continued)

**OTHER PUBLICATIONS**

Lutron product brochure for "Maestro the High-Tech Multi-Location Dimmer", pp. 56-59.

(Continued)

*Primary Examiner*—Selina Sikder  
(74) *Attorney, Agent, or Firm*—SAIDMAN DesignLaw Group

(57) **CLAIM**

The ornamental design for a profile portion of an electrical switch, as shown and described.

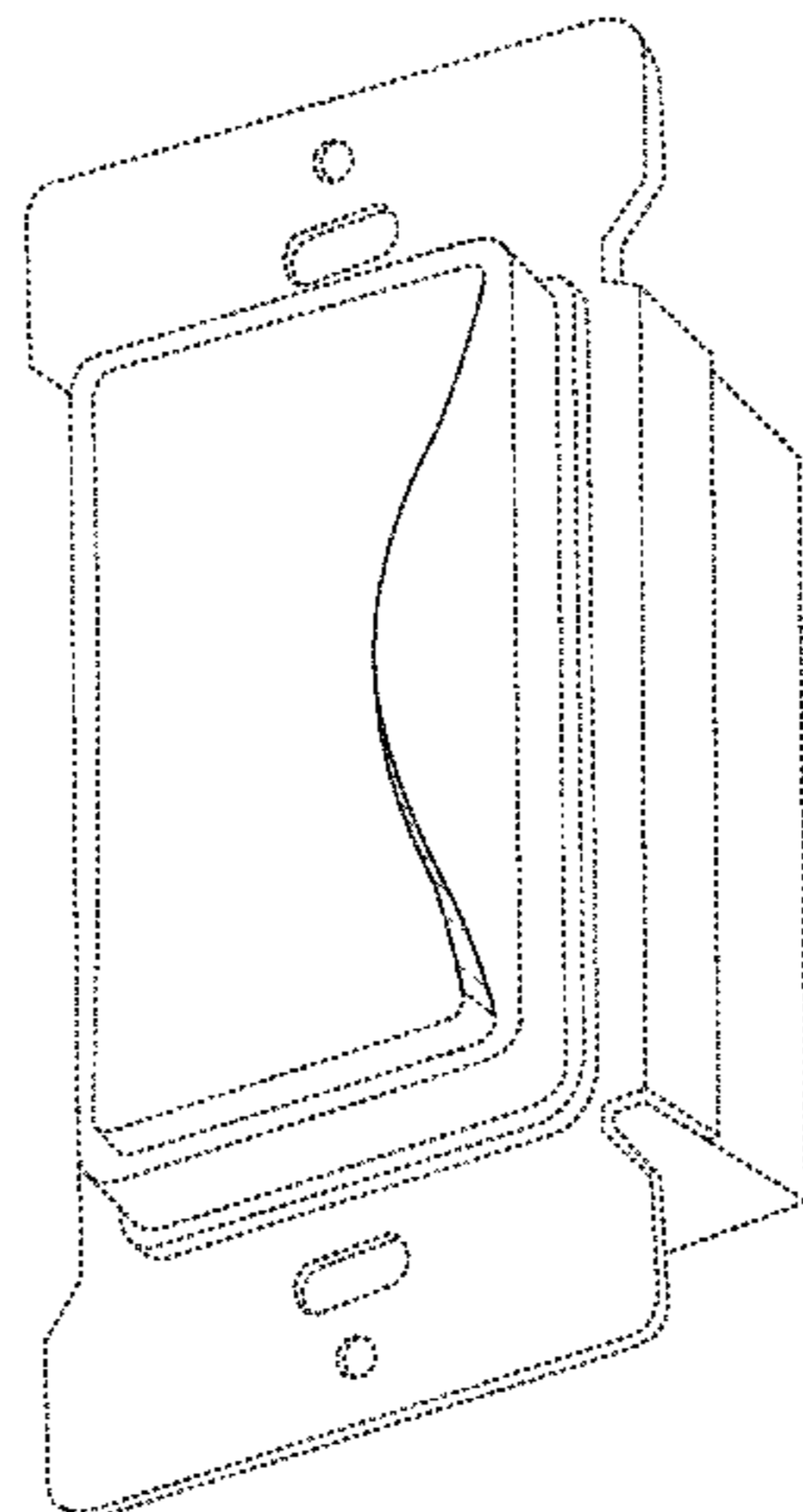
**DESCRIPTION**

FIG. 1 is a front, bottom and right side perspective view of a profile portion of an electrical switch showing our new design; and,

FIG. 2 is a front view thereof.

The broken lines are for environmental purposes only and form no part of the claimed design. The characteristic feature of the design resides in the profile of the electrical switch with sinuous curves.

**1 Claim, 2 Drawing Sheets**



U.S. PATENT DOCUMENTS

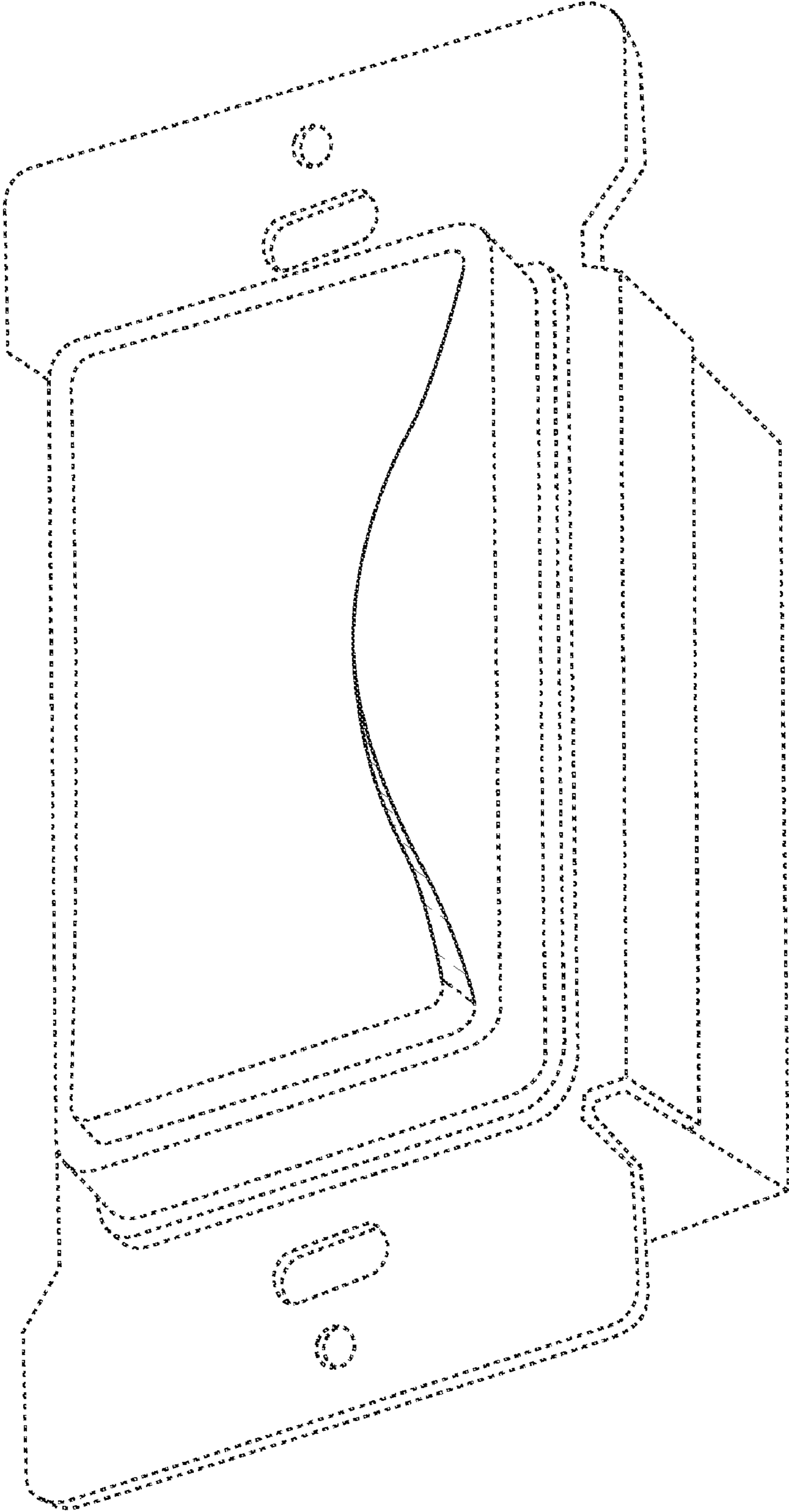
6,005,308	A	12/1999	Bryde et al.	
D450,043	S	11/2001	Mosebrook	
D463,382	S	9/2002	Jacoby	
D471,879	S	3/2003	Mayo et al.	
D471,880	S	3/2003	Mayo et al.	
D472,221	S	3/2003	Mayo et al.	
D472,526	S	4/2003	Mayo et al.	
D472,527	S	4/2003	Mayo et al.	
6,545,434	B2	4/2003	Sembhi et al.	
D477,575	S	7/2003	Mayo et al.	
D482,007	S	11/2003	Mayo et al.	
6,815,625	B1	11/2004	Leopold et al.	
D503,929	S	4/2005	Akinrele et al.	
D504,668	S	5/2005	Fort et al.	
D505,394	S	5/2005	Fort et al.	
D505,395	S	5/2005	Fort et al.	
D511,503	S	11/2005	Fort et al.	
D511,751	S	11/2005	Fort et al.	
D517,024	S	3/2006	Fort et al.	
D535,628	S *	1/2007	Fort et al. ....	D13/174
D535,951	S *	1/2007	Fort et al. ....	D13/174
D542,237	S *	5/2007	Fort et al. ....	D13/177

OTHER PUBLICATIONS

Lutron product brochure for “Faedra Smart Dimmer—For Standard Wallplate”, Lutron Electronics Co., Inc. (2002).  
 Lutron Ordering Guide for “Faedra Smart Dimmer—For Standard Wallplate”, Lutron Electronics Co., Inc. (2002).

Product Specification Sheets for Onset Low-Wattage Incandescent Dimmer, Lightolier Controls (1997).  
 Ordering Guide for Onset digital dimmers and controls, pp. 10-11, Lightolier Control (1997).  
 Product Specification Sheet for Onset Channel Remote, Lightolier Controls (1997).  
 Product Brochure for The Mural Collection, Leviton Manufacturing Co., Inc. (2000).  
 Product Specifications for Mural Lighting Controls, Leviton Manufacturing Co., Inc. (1999).  
 Product Specifications for Mural Level Set (LS) Lighting Controls, Leviton Manufacturing Co., Inc. (2000).  
 Installation and Operating Instructions for Impressions 3-Key Incandescent Touch Dimmers, Pass & Seymour, May 1992.  
 Impressions Electrical Wiring Devices and Accessories, Pass & Seymour, Apr. 1991.  
 Catalog for Leviton Wiring Devices for Construction and Maintenance, Leviton Manufacturing Co., Inc. (2000).  
 Lutron Residential Lighting Controls Catalog. pp. 70-73, Lutron Electronics Co., Inc. (2001).  
 Cooper Wiring Devices, Seven color photographs of Smart Dimmer “Remote” Unit, offered for sale as early as May 2002.  
 Cooper Wire Devices, Smart Dimmer advertisement, 2003 embodying subject matter of USPN Des. 503,929 sold at least as early as Jun. 3, 2002 and offered for sale in May 2002.

\* cited by examiner



**FIG. 1**

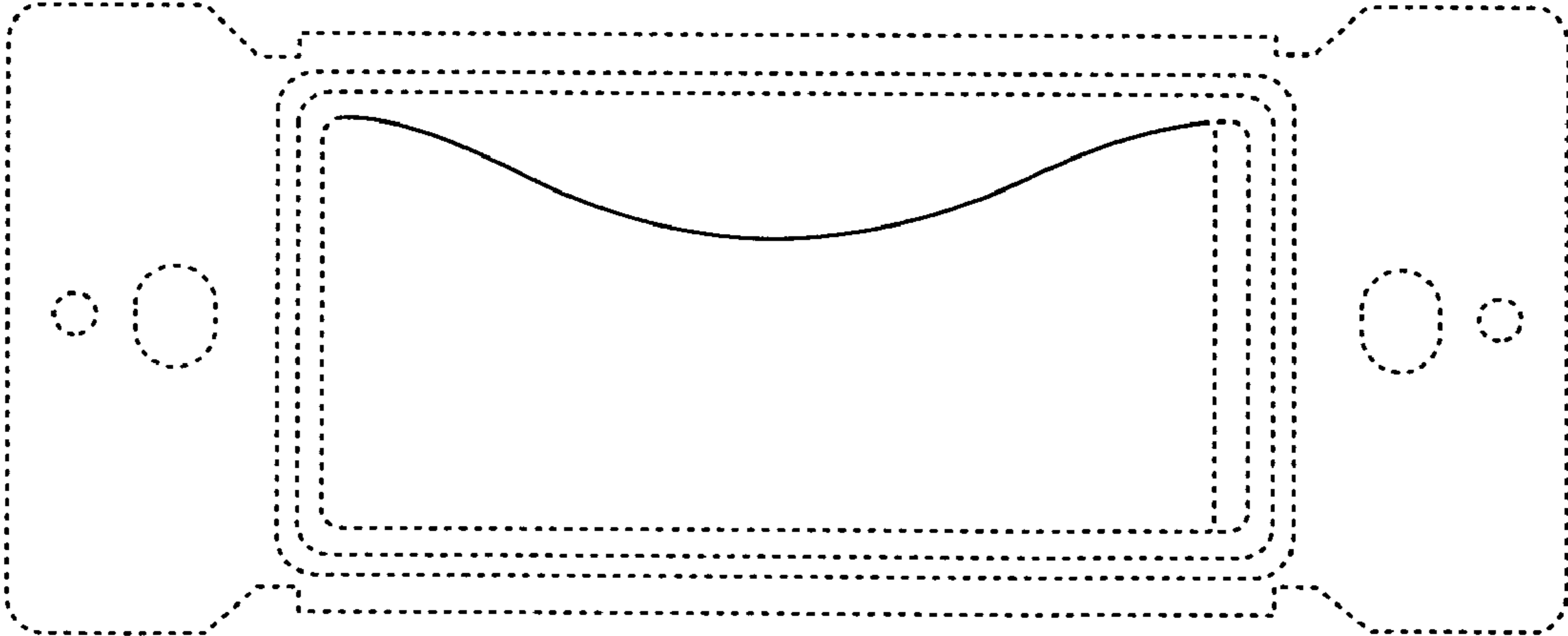


FIG. 2