



US00D571310S

(12) **United States Design Patent**
Collins

(10) **Patent No.:** **US D571,310 S**
(45) **Date of Patent:** **** Jun. 17, 2008**

(54) **CONTROL KNOB**

(76) Inventor: **James L. Collins**, 7116 State Route W,
P. O. Box 68, Peace Valley, MO (US)
65788

(**) Term: **14 Years**

(21) Appl. No.: **29/293,603**

(22) Filed: **Dec. 3, 2007**

Related U.S. Application Data

(62) Division of application No. 29/244,478, filed on Dec.
9, 2005, now Pat. No. Des. 561,704.

(51) **LOC (8) Cl.** **13-03**

(52) **U.S. Cl.** **D13/171; D13/158**

(58) **Field of Classification Search** D13/125,
D13/158-177; 242/317; D8/310; 301/65;
74/553; D12/209

See application file for complete search history.

(56) **References Cited**

U.S. PATENT DOCUMENTS

1,947,911 A 2/1934 Kay
2,444,485 A 7/1948 Aitcheson
D206,059 S 10/1966 Clayton

D284,653 S 7/1986 Matican
D327,407 S * 6/1992 Clayton D8/310
5,921,492 A 7/1999 Bauer
D501,652 S 2/2005 Pierson et al.
D504,378 S 4/2005 Grossenbacher et al.
D512,128 S 11/2005 Zieger et al.
D545,644 S 7/2007 Fields

* cited by examiner

Primary Examiner—Daniel Bui

Assistant Examiner—Thomas J Johannes

(74) *Attorney, Agent, or Firm*—Richard L. Marsh

(57) **CLAIM**

The ornamental design for a control knob, as shown and described.

DESCRIPTION

FIG. 1 is a front view of a control knob showing my new design;

FIG. 2 is a bottom plan view thereof; the left side view being identical thereto;

FIG. 3 is a rear view thereof;

FIG. 4 is a top plan view thereof; and,

FIG. 5 is a right side view thereof.

1 Claim, 2 Drawing Sheets

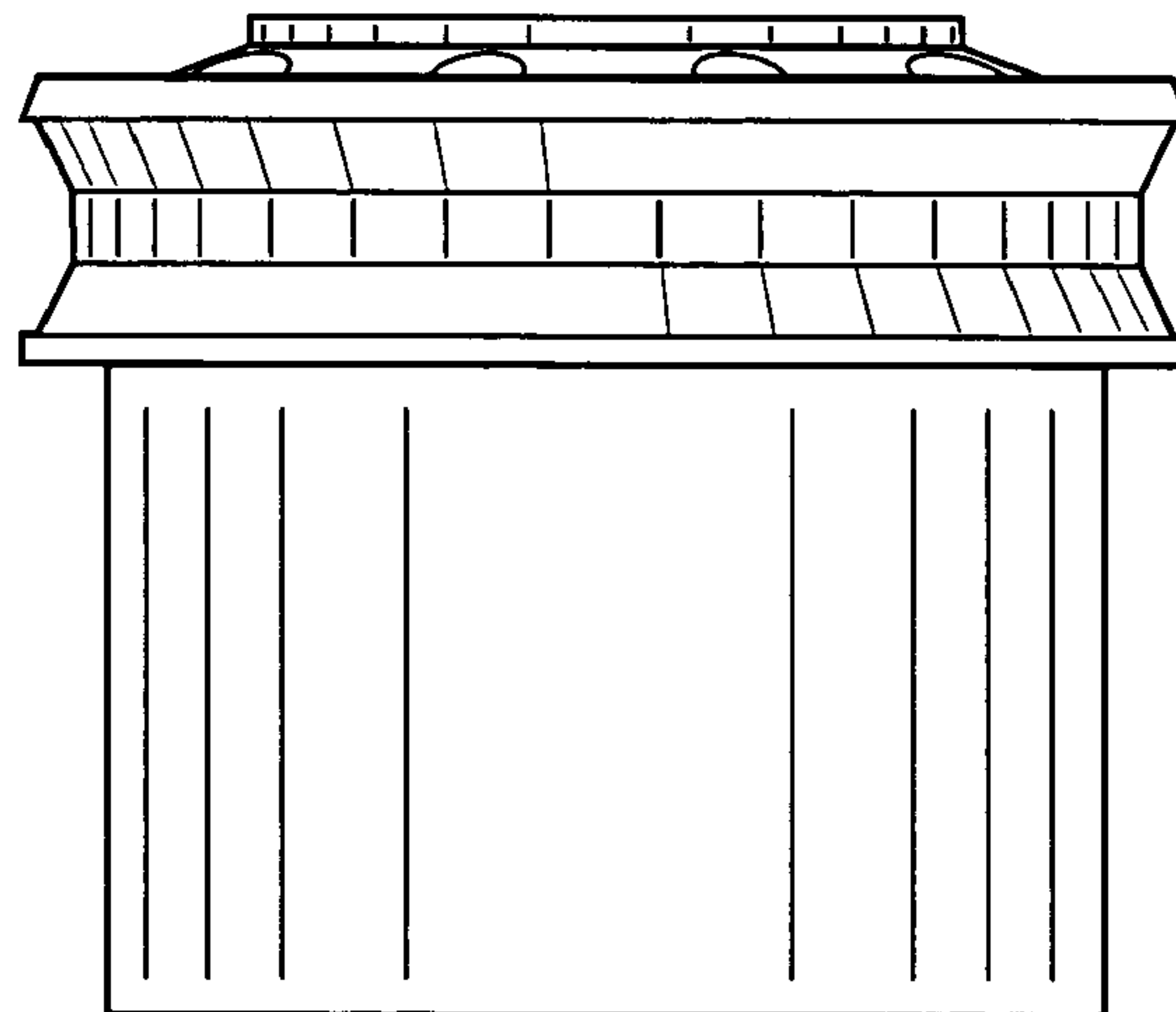
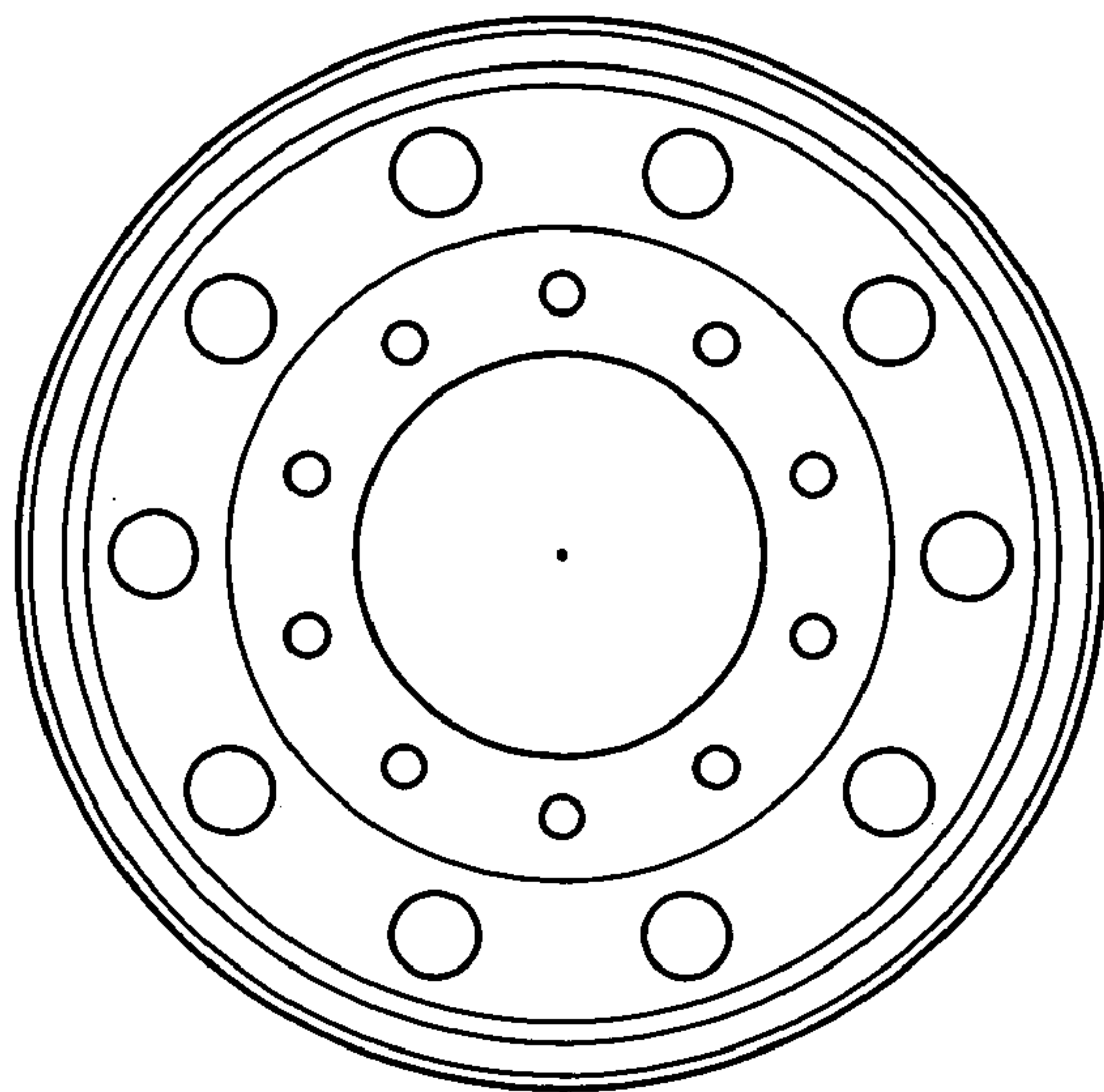


FIG. 1

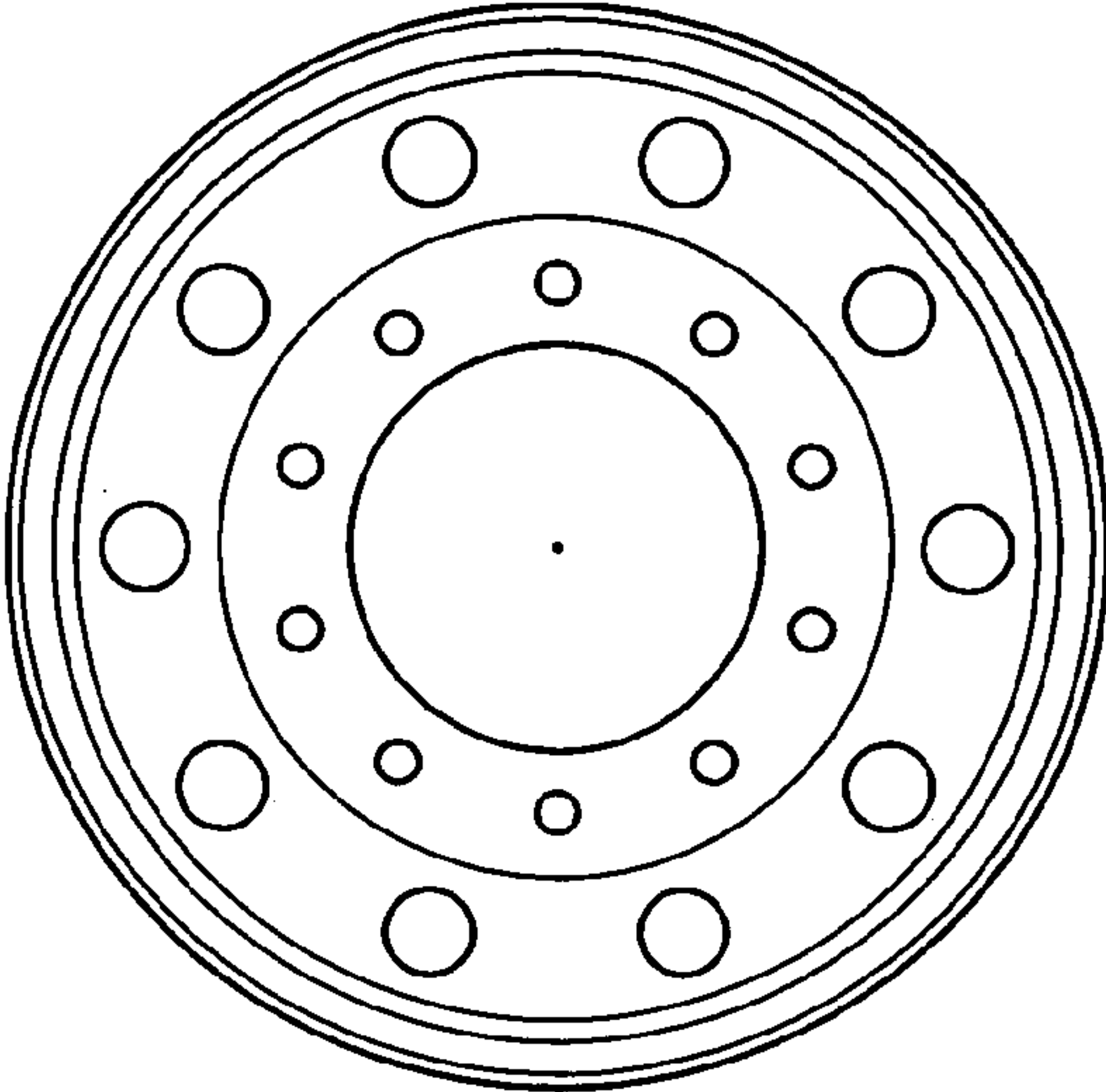


FIG. 2

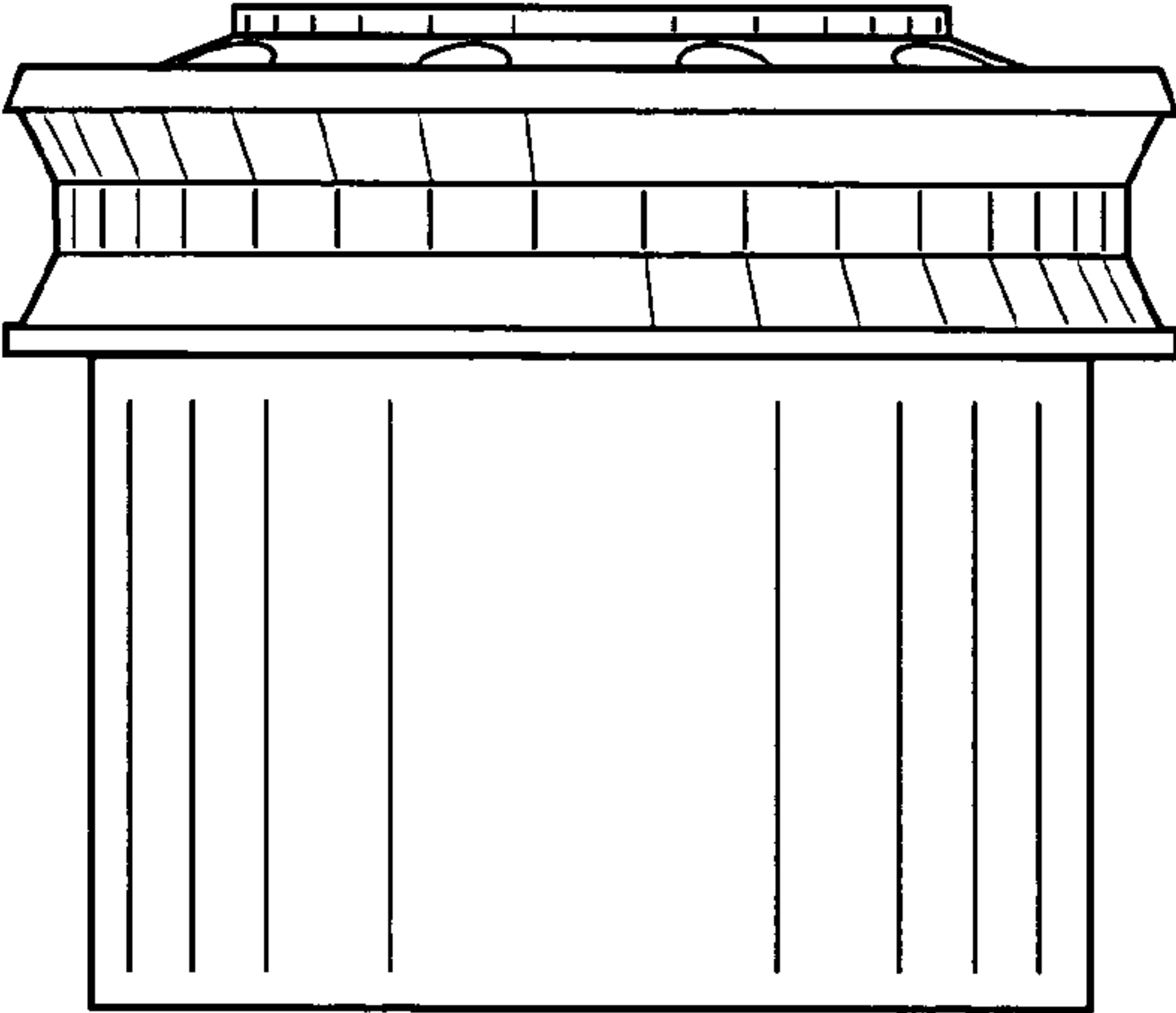


FIG. 3

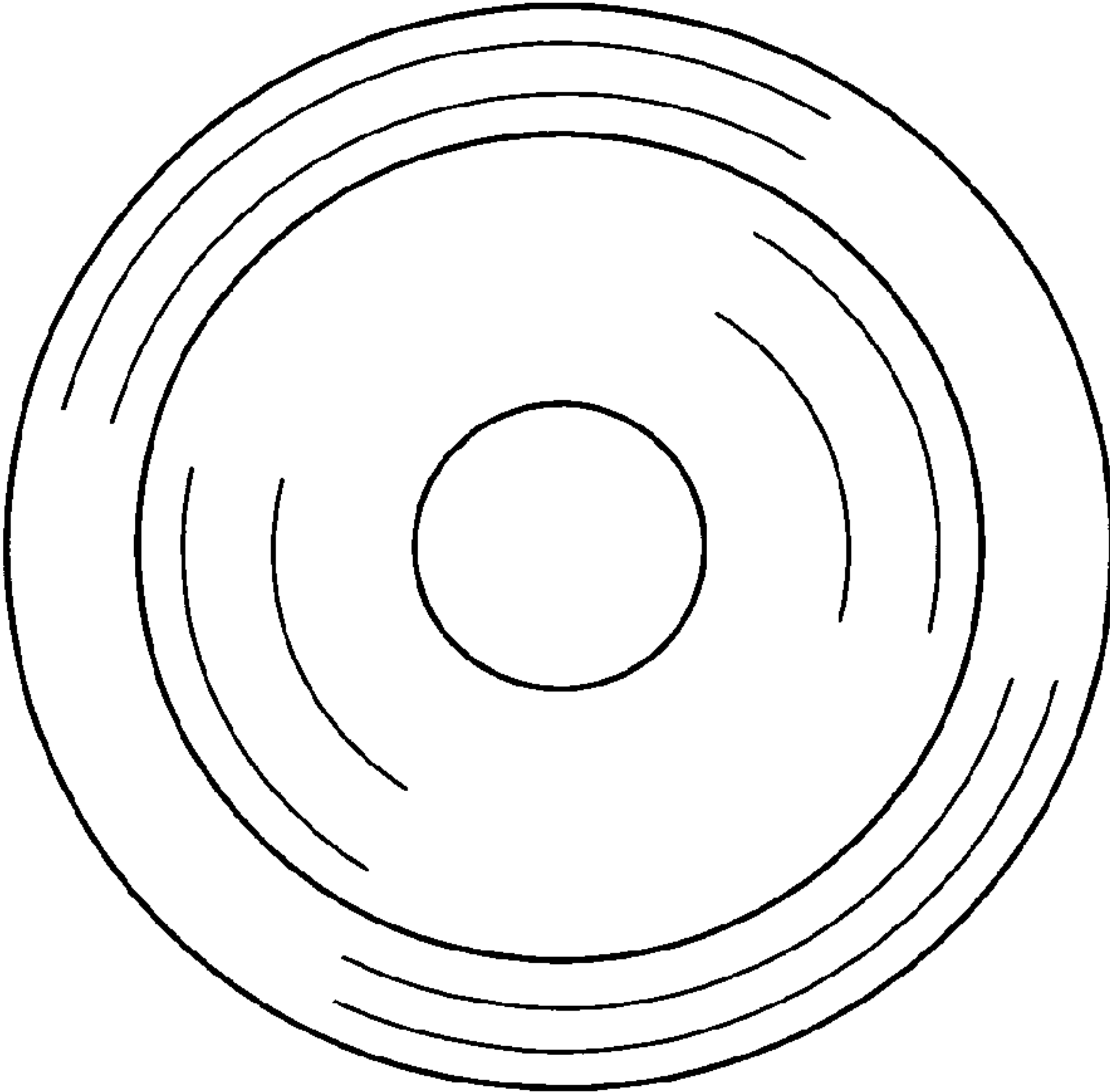


FIG. 4

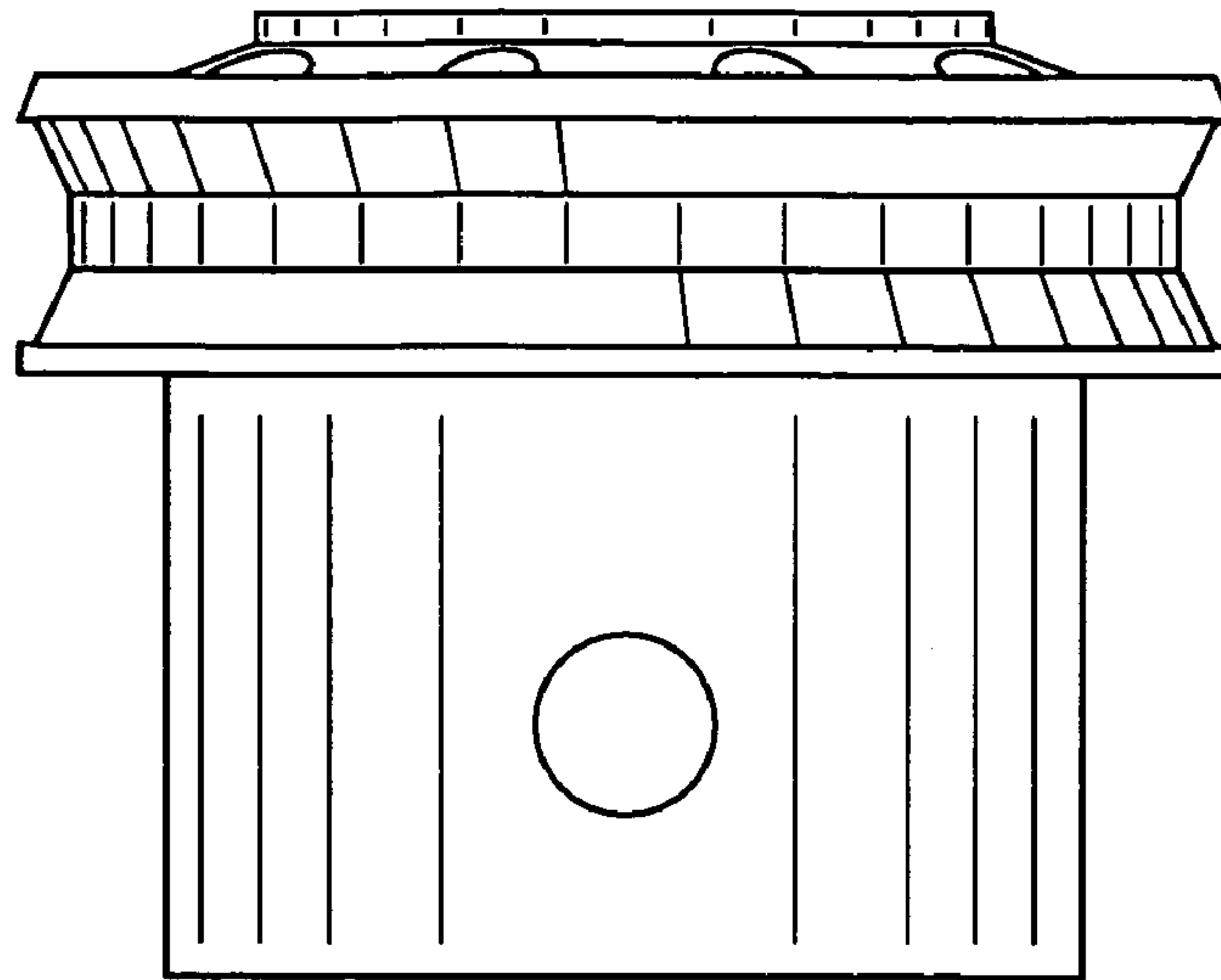


FIG. 5

