

US00D571307S

(12) **United States Design Patent** (10) **Patent No.:** **US D571,307 S**
Gastelum et al. (45) **Date of Patent:** **** Jun. 17, 2008**

(54) **REMOTE CONTROL DEVICE**

(75) Inventors: **Damion B. Gastelum**, San Diego, CA (US); **Neil Burns**, San Diego, CA (US); **Srinivas Raghavan**, San Diego, CA (US); **John Cunningham**, Oceanside, CA (US)

(73) Assignee: **Qualcomm Incorporated**, San Diego, CA (US)

(**) Term: **14 Years**

(21) Appl. No.: **29/262,344**

(22) Filed: **Jun. 28, 2006**

(51) **LOC (8) Cl.** **13-03**

(52) **U.S. Cl.** **D13/168**

(58) **Field of Classification Search** D13/168;
D10/104, 106; D14/218, 247; 340/825.22,
340/825.24, 825.25, 825.31, 825.36, 825.69,
340/825.72; 341/20, 22, 23, 34, 176; 345/156,
345/158, 169; 348/734; 455/92, 95, 100,
455/128, 151.1–151.4, 352–355; 463/39;
700/17, 19, 20, 65, 83; 701/2
See application file for complete search history.

(56) **References Cited**

U.S. PATENT DOCUMENTS

D309,449 S * 7/1990 MacDonald et al. D14/404
5,367,298 A * 11/1994 Axthelm 341/22
D405,424 S * 2/1999 Winkler et al. D13/168
D460,053 S * 7/2002 Choi D13/168
D468,274 S * 1/2003 Novak D13/168
D516,545 S * 3/2006 Lai D14/218

D524,298 S * 7/2006 Hedderich et al. D14/218
D526,623 S * 8/2006 Yin et al. D13/168
D530,343 S * 10/2006 Maruyama et al. D14/496
D534,870 S * 1/2007 Metschen et al. D13/162

* cited by examiner

Primary Examiner—Selina Sikder

(74) *Attorney, Agent, or Firm*—Richard A. Bachand;
Richard A. Bachand; Thomas Rouse

(57) **CLAIM**

The ornamental design for a remote control device, as shown and described.

DESCRIPTION

FIG. 1 is a perspective view of the remote control device showing the new design in an operational orientation;

FIG. 2 is a top plan view of the remote control device shown in FIG. 1;

FIG. 3 is a bottom plan view of the remote control device shown in FIG. 1;

FIG. 4 is a right side view of the remote control device shown in FIG. 1;

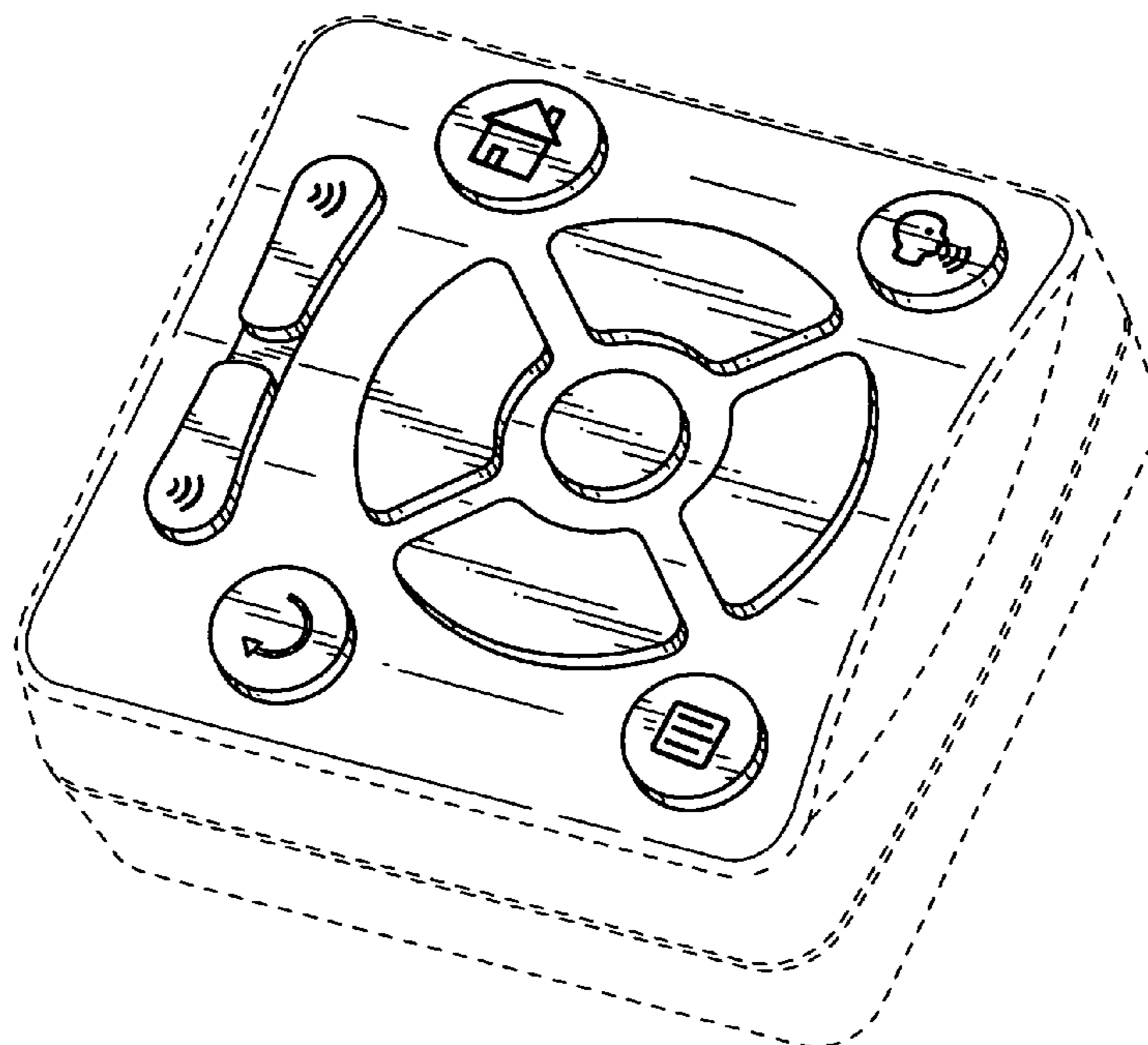
FIG. 5 is a left side view of the remote control device shown in FIG. 1;

FIG. 6 is a rear view of the remote control device shown in FIG. 1; and,

FIG. 7 is a front view of the remote control device shown in FIG. 1.

Features shown by broken lines are for illustrative purposes only, and are not claimed as part of the invention.

1 Claim, 4 Drawing Sheets



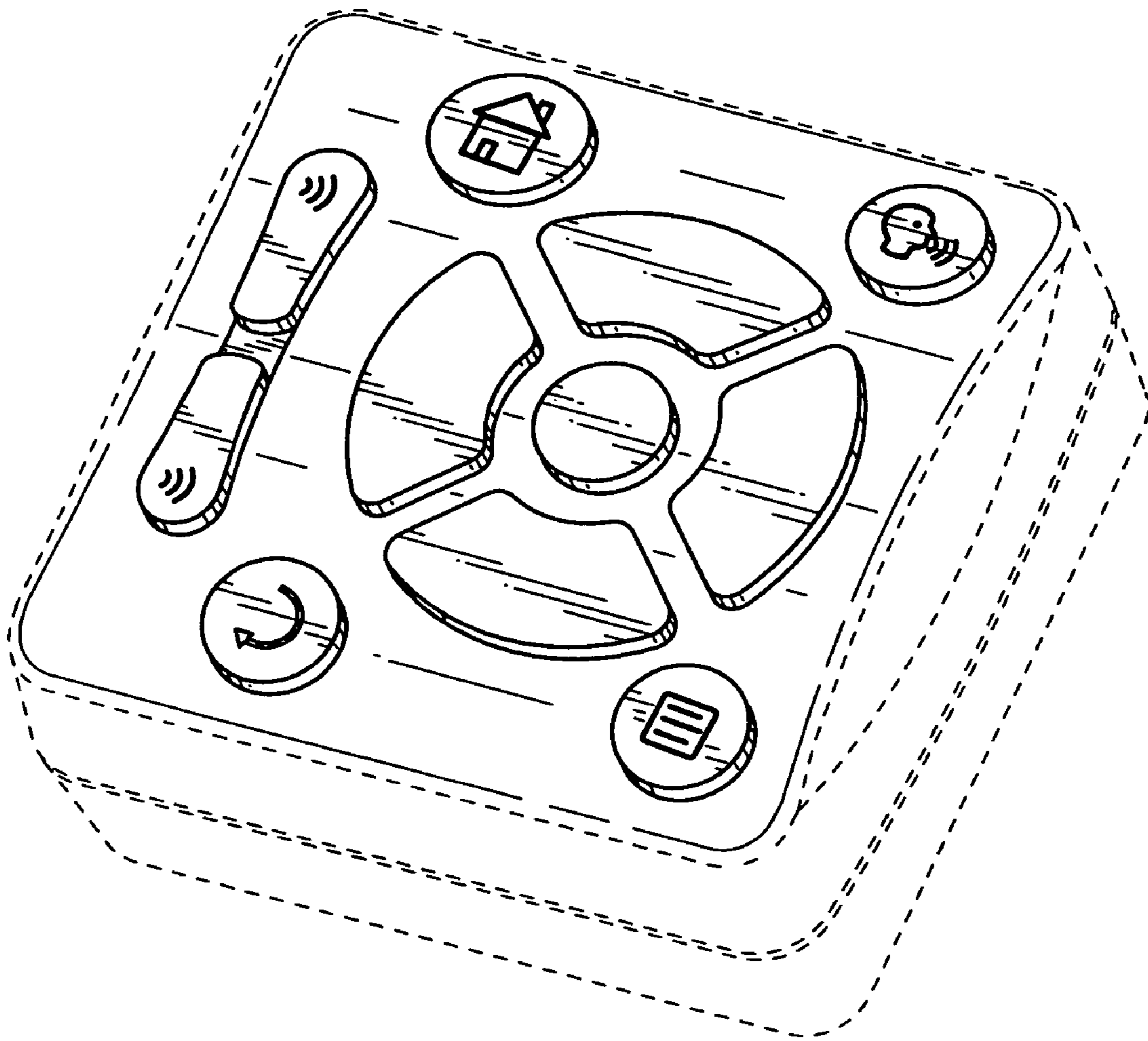


FIG.1

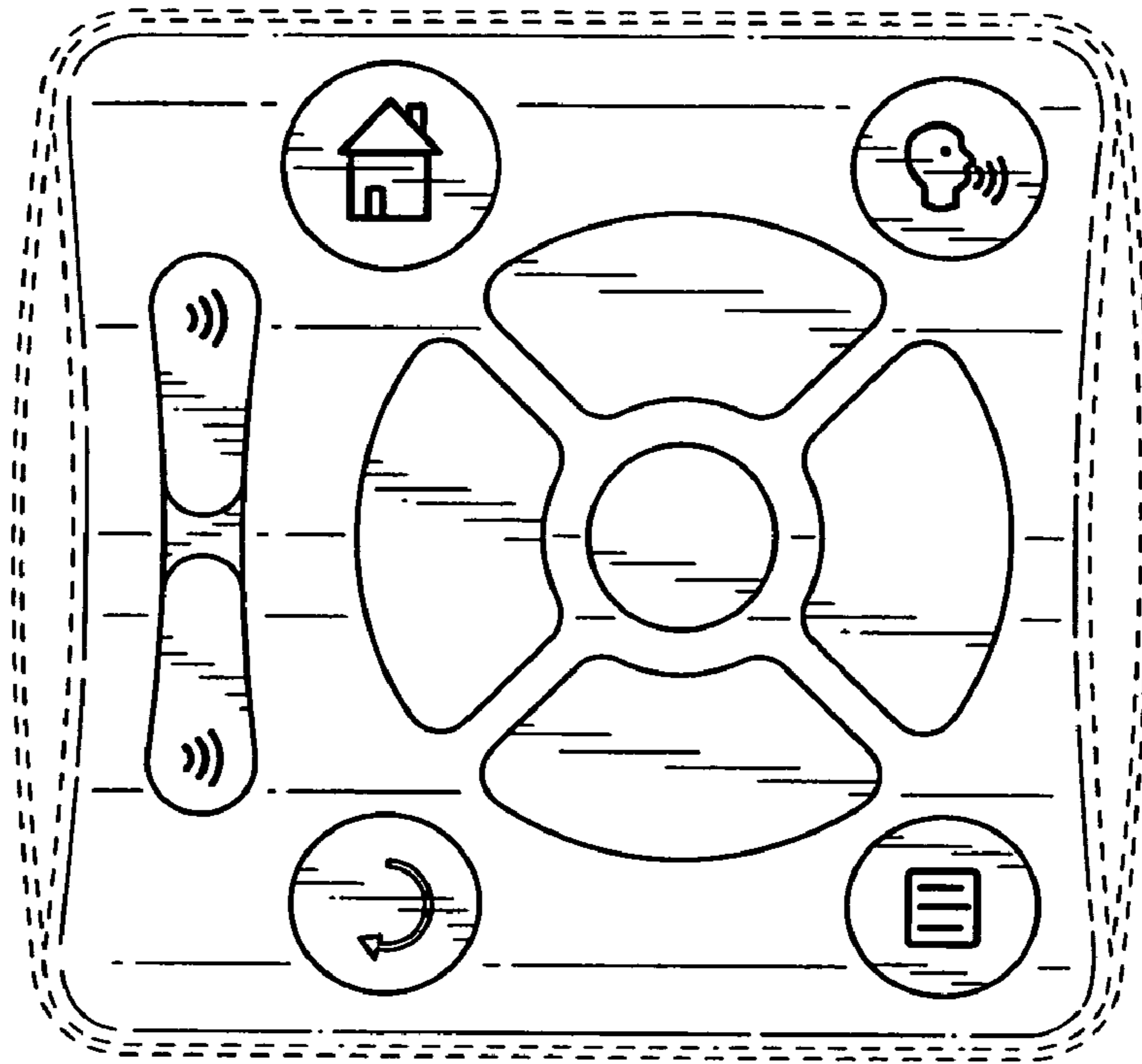


FIG.2

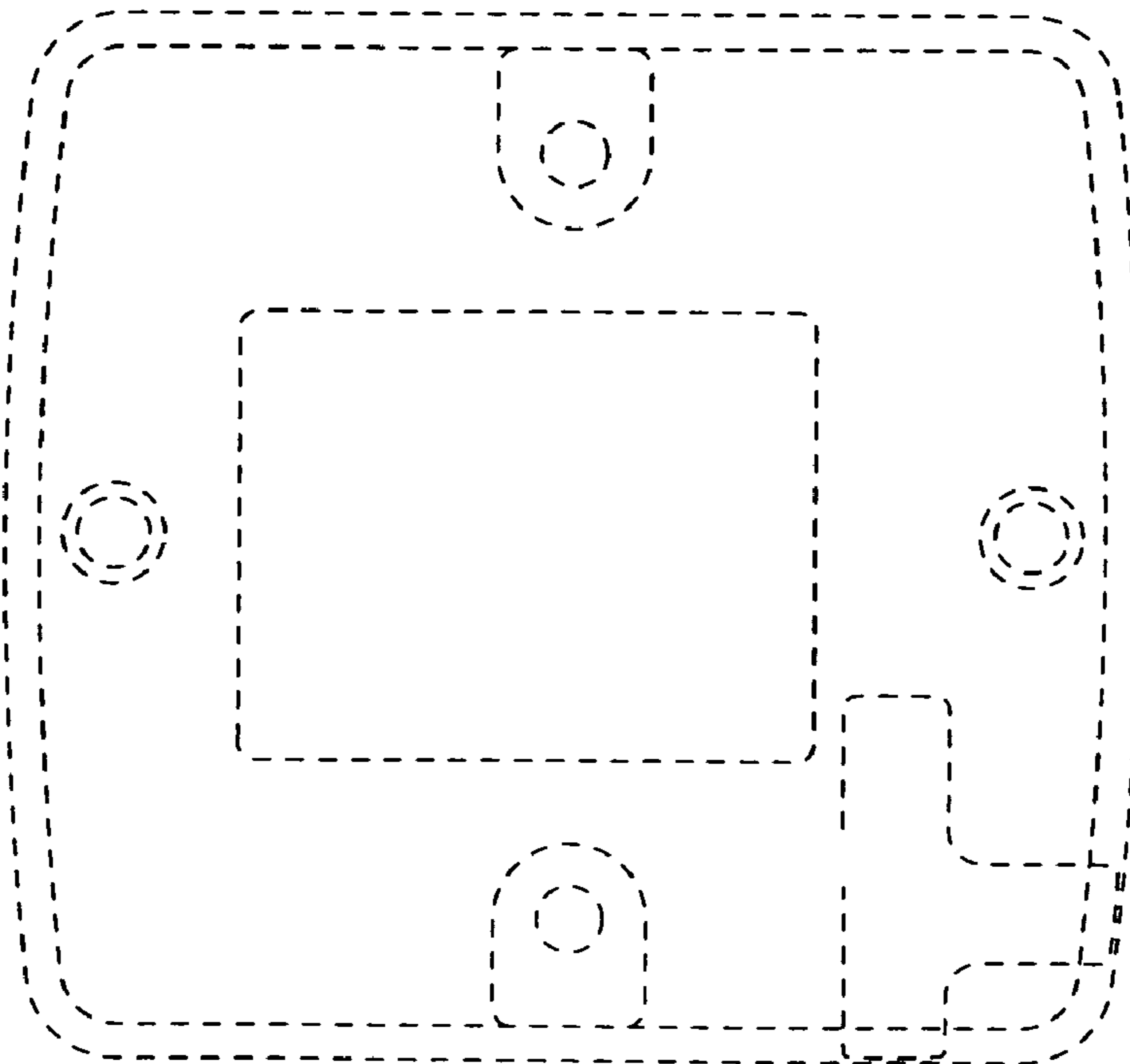


FIG.3

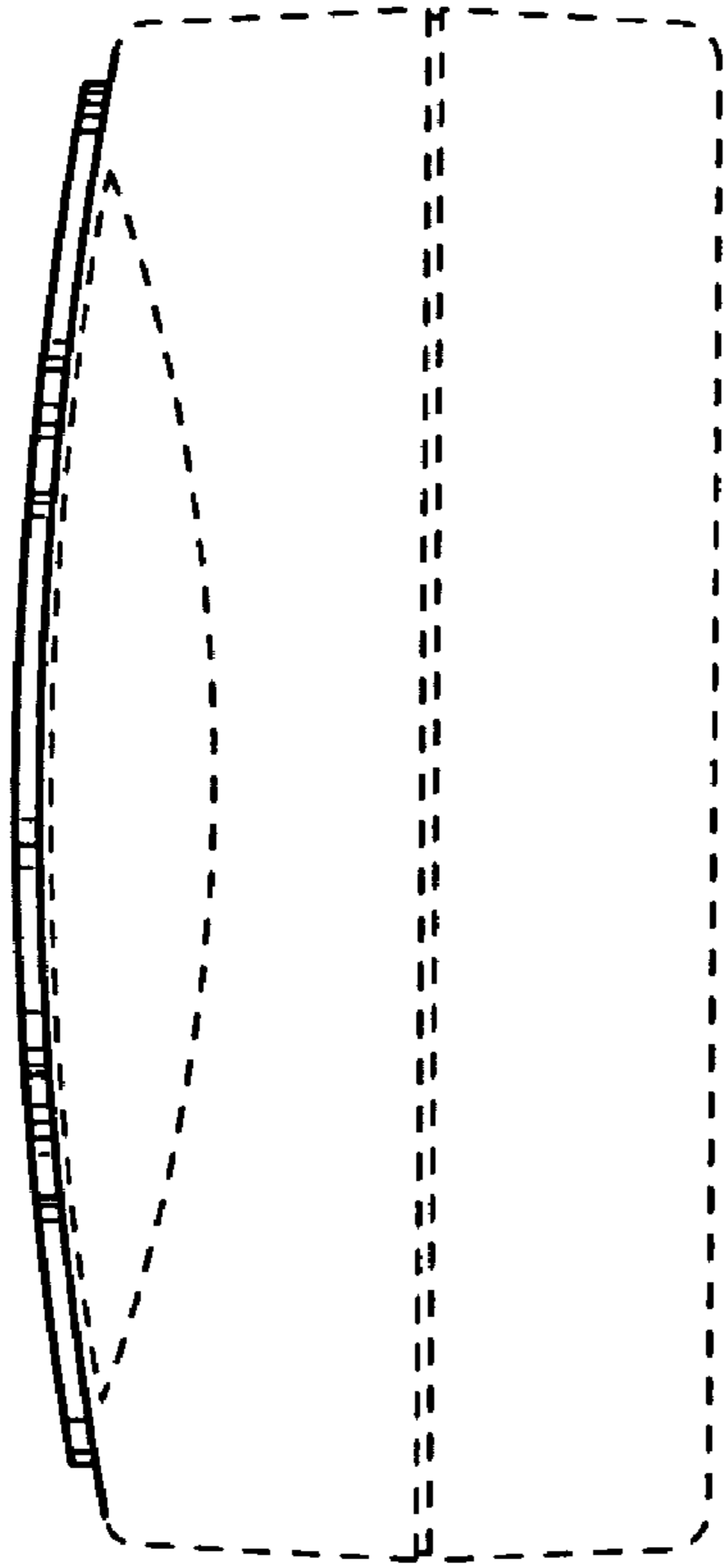


FIG.4

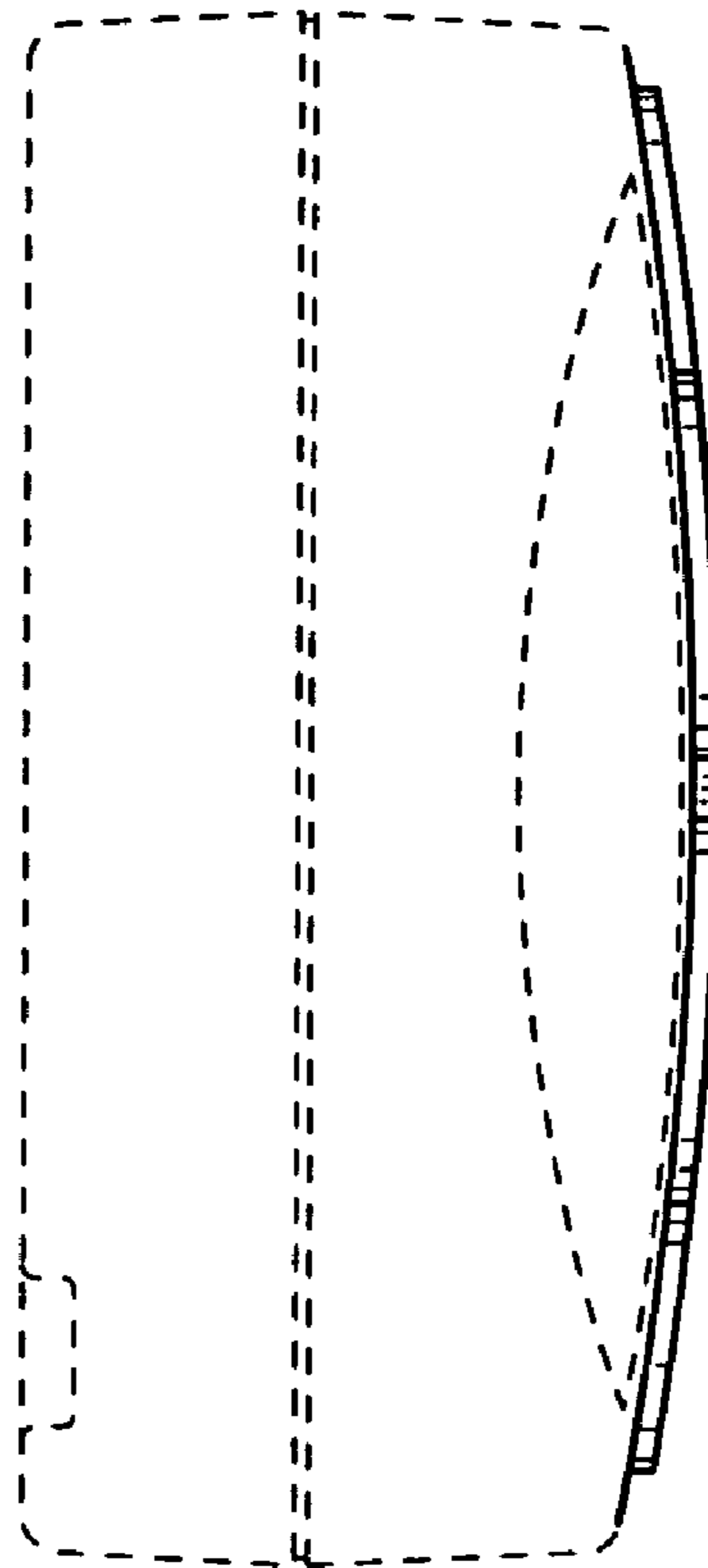


FIG.5

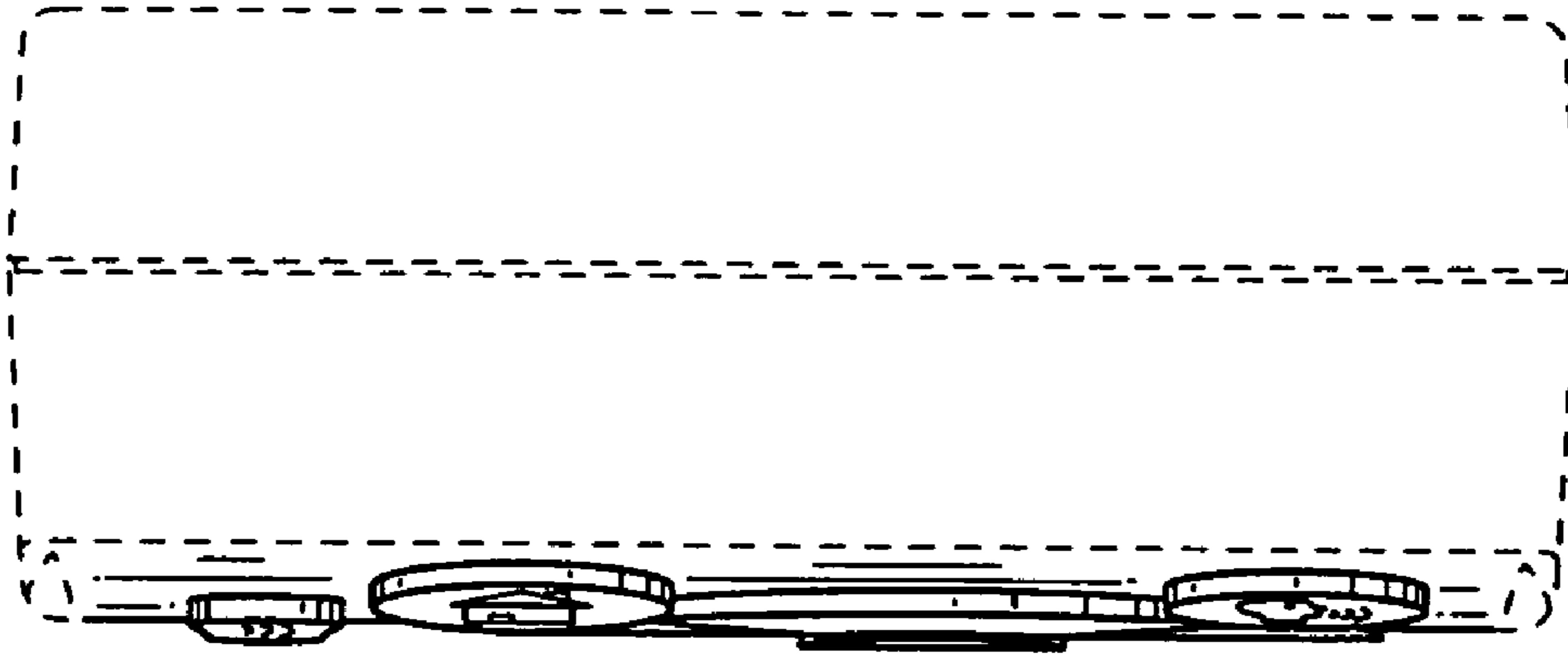


FIG. 6

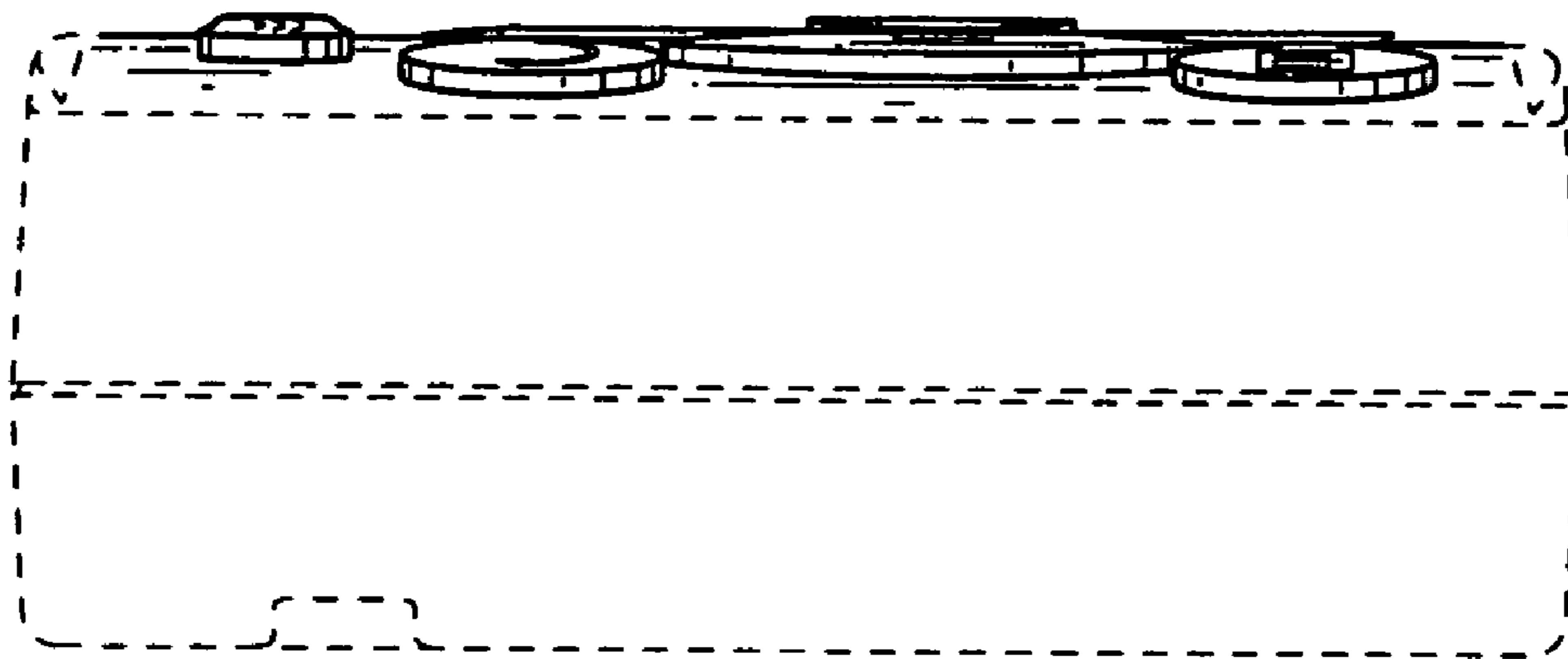


FIG. 7