



US00D571303S

(12) **United States Design Patent**  
**Jokiniemi et al.**

(10) **Patent No.:** **US D571,303 S**  
(45) **Date of Patent:** **\*\* Jun. 17, 2008**

(54) **MOTORIZED CHANGE-OVER SWITCH**

D548,695 S \* 8/2007 Krieger et al. .... D13/110

(75) Inventors: **Timo Jokiniemi**, Merikaarto (FI); **Erkki Rajala**, Vaasa (FI); **Mikael Nähls**, Raippaluoto (FI); **BaiQin Liang**, Jiangmen (CN); **JinRui Cao**, Jiangmen (CN)

\* cited by examiner

*Primary Examiner*—Daniel Bui  
*Assistant Examiner*—Thomas J Johannes

(74) *Attorney, Agent, or Firm*—Buchanan Ingersoll & Rooney PC

(73) Assignee: **ABB Oy**, Helsinki (FI)

(\*\*) Term: **14 Years**

(21) Appl. No.: **29/274,037**

(22) Filed: **Mar. 22, 2007**

(30) **Foreign Application Priority Data**

Jan. 25, 2007 (FI) ..... M20070020

(51) **LOC (8) Cl.** ..... **13-03**

(52) **U.S. Cl.** ..... **D13/158; D13/164**

(58) **Field of Classification Search** ..... D13/110,  
D13/123, 147, 151, 158–177, 184; 335/131–133,  
335/196, 202, 262, 251; 200/5 R, 295, 308,  
200/310, 313, 314, 329, 340, 1 R, 6 R, 5 A,  
200/296, 302.3, 315, 330, 334, 339, 341,  
200/520, 525, 553; 439/491, 535

See application file for complete search history.

(56) **References Cited**

**U.S. PATENT DOCUMENTS**

D211,952 S *	8/1968	Ettinger	.....	D13/110
D261,259 S *	10/1981	Swartz	.....	D13/110
D317,448 S *	6/1991	Straw et al.	.....	D14/389
D400,510 S *	11/1998	Brunelle	.....	D13/162
D428,600 S *	7/2000	Futami et al.	.....	D13/162
D469,401 S *	1/2003	Griffey et al.	.....	D13/110
D481,362 S *	10/2003	Nurdogan	.....	D13/159
D503,676 S *	4/2005	Krieger et al.	.....	D13/110
D519,086 S *	4/2006	Bluemel	.....	D13/159

(57) **CLAIM**

The ornamental design for a motorized change-over switch, as shown and described.

**DESCRIPTION**

FIG. 1 is a top, front perspective view of a motorized change-over switch showing a first embodiment of our new design.

FIG. 2 is a top plan view thereof.

FIG. 3 is a bottom plan view thereof.

FIG. 4 is a front elevational view thereof.

FIG. 5 is a right side elevational view thereof.

FIG. 6 is a left side elevational view thereof.

FIG. 7 is a bottom, rear perspective view thereof.

FIG. 8 is a top, front perspective view of a motorized change-over switch showing a second embodiment of our new design.

FIG. 9 is a top plan view thereof.

FIG. 10 is a bottom plan view thereof.

FIG. 11 is a front elevational view thereof.

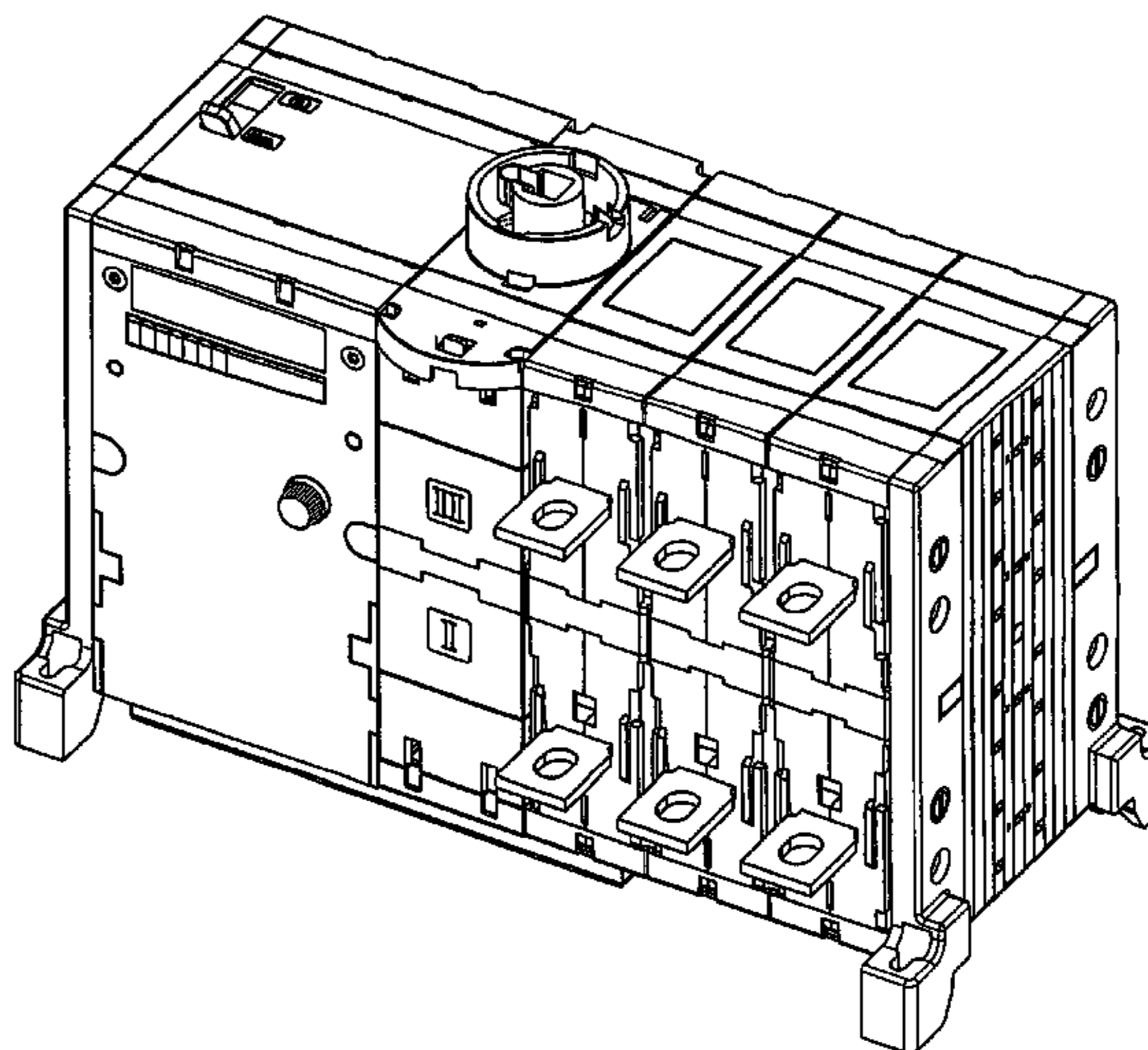
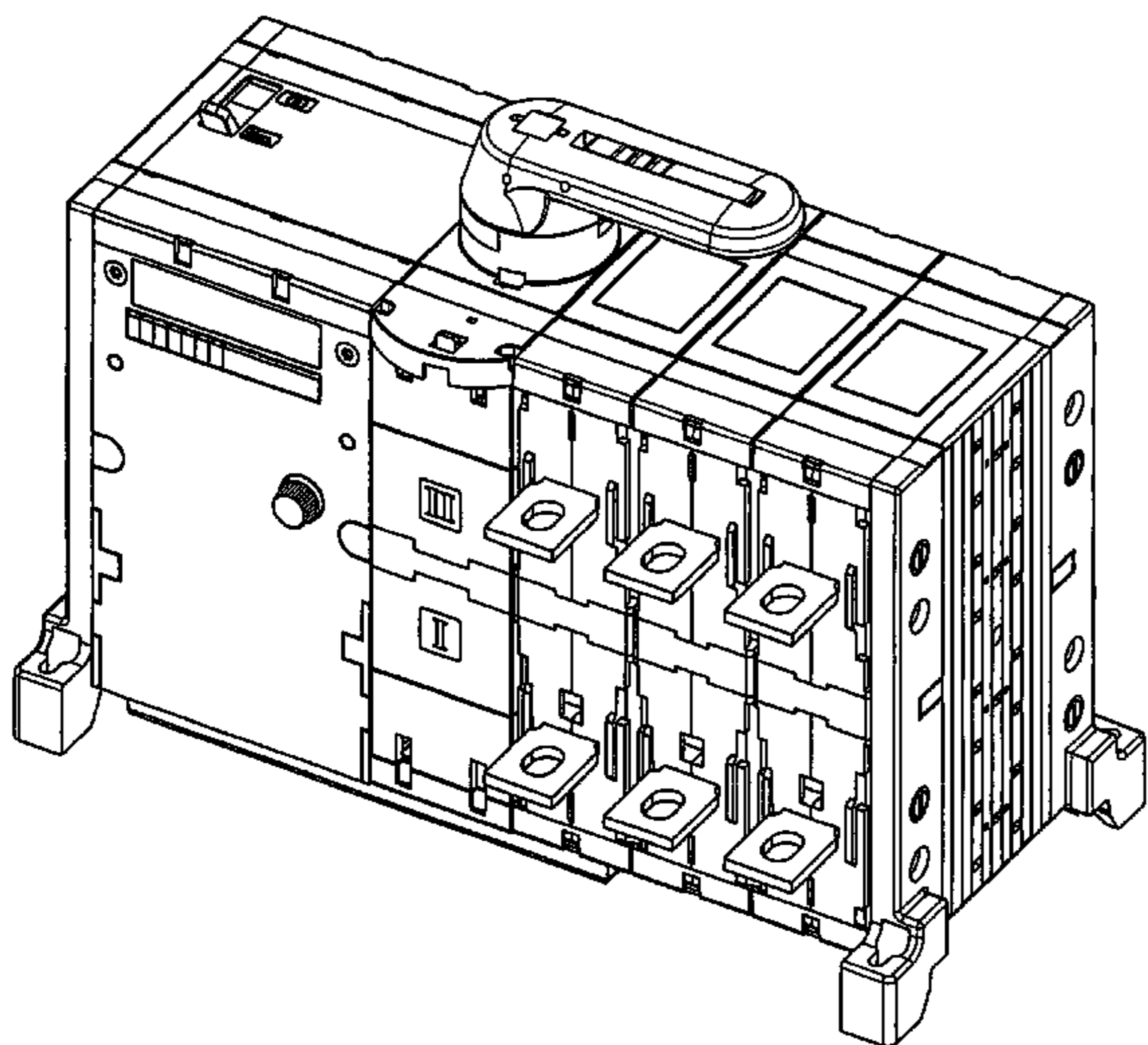
FIG. 12 is a right side elevational view thereof.

FIG. 13 is a left side elevational view thereof; and,

FIG. 14 is a bottom, rear perspective view thereof.

The broken line showing of various elements of the motorized change-over switch is for illustration purposes only and forms no part of the claimed design.

**1 Claim, 14 Drawing Sheets**



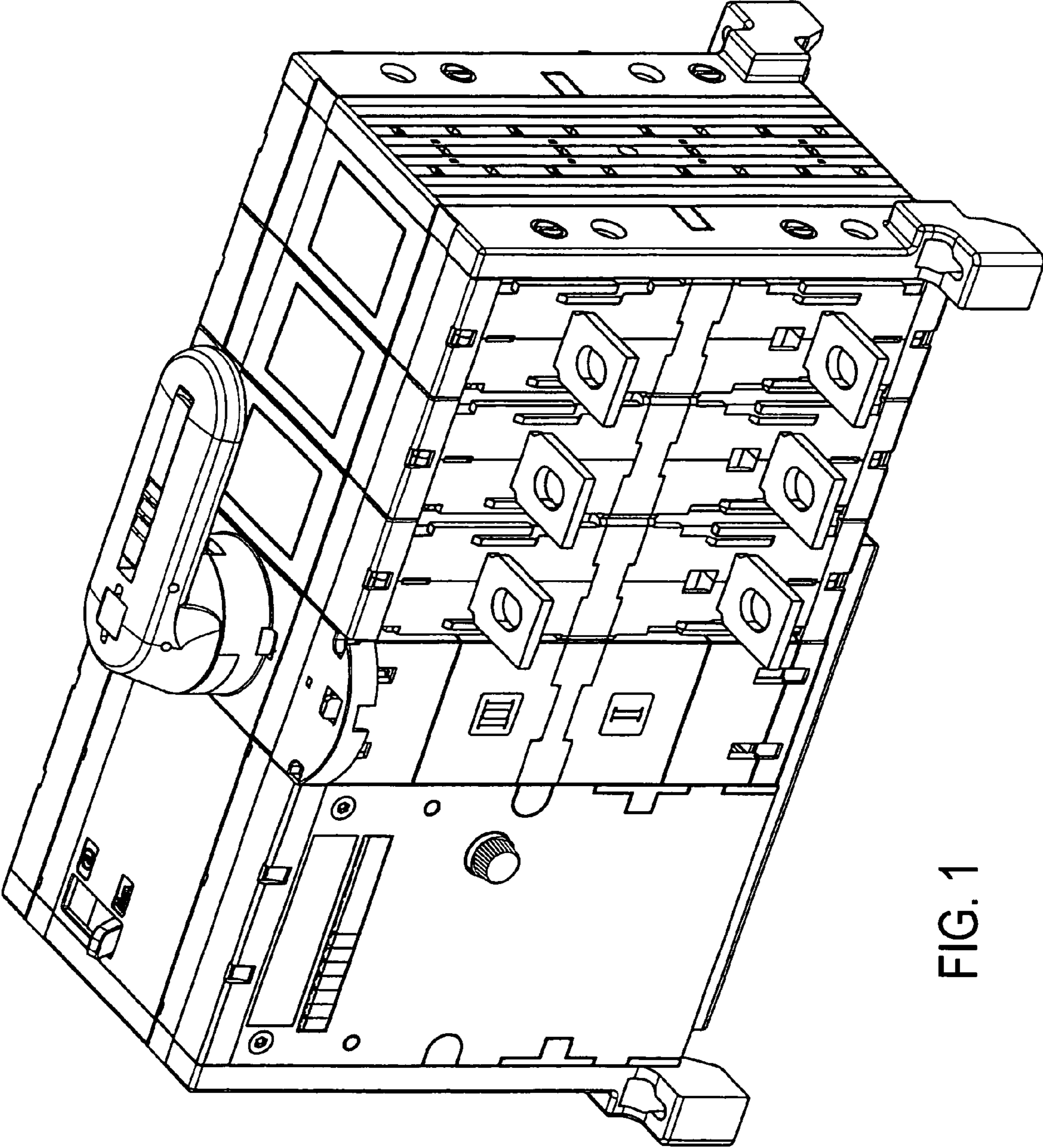


FIG. 1

FIG. 2

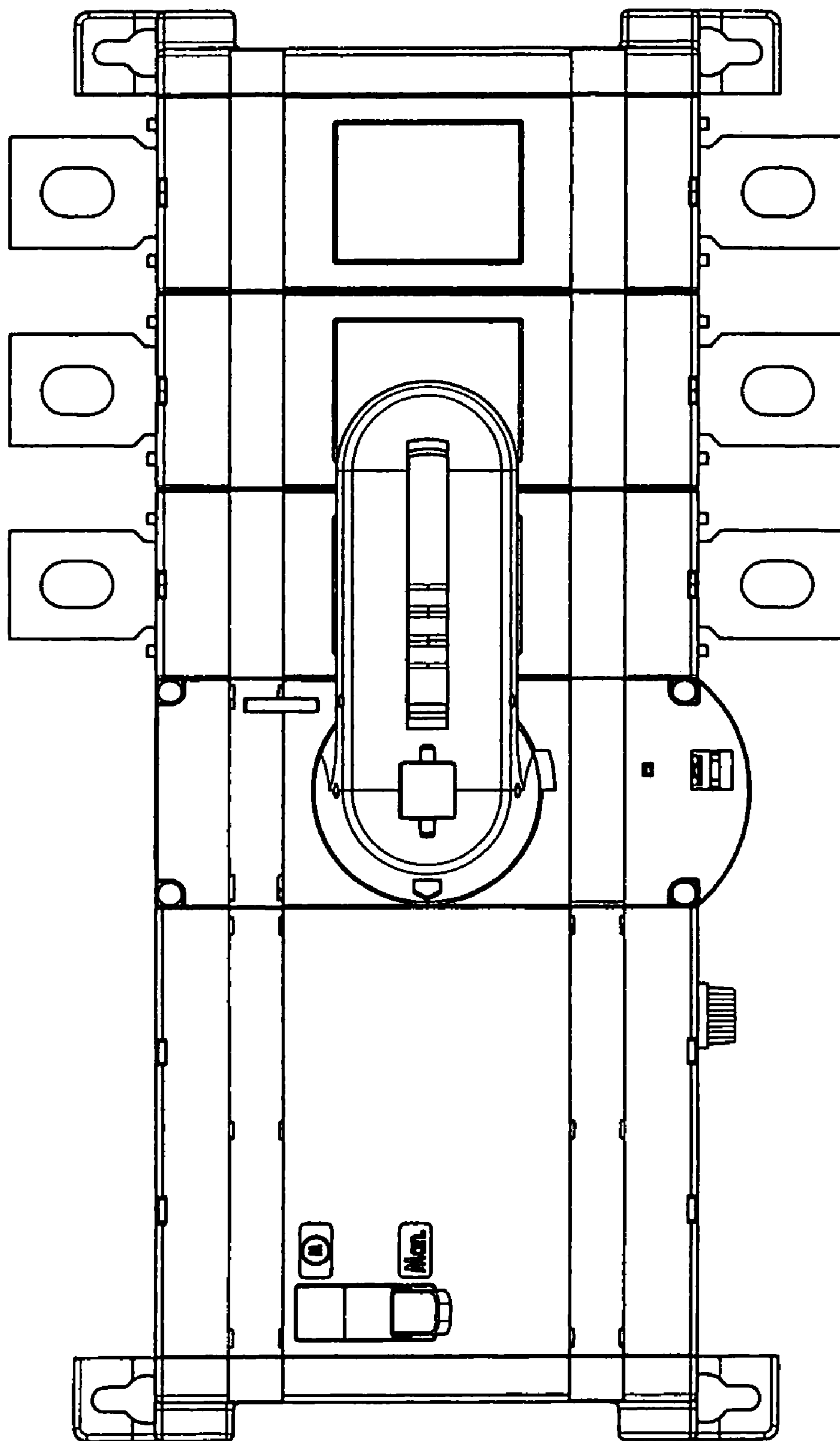


FIG. 3

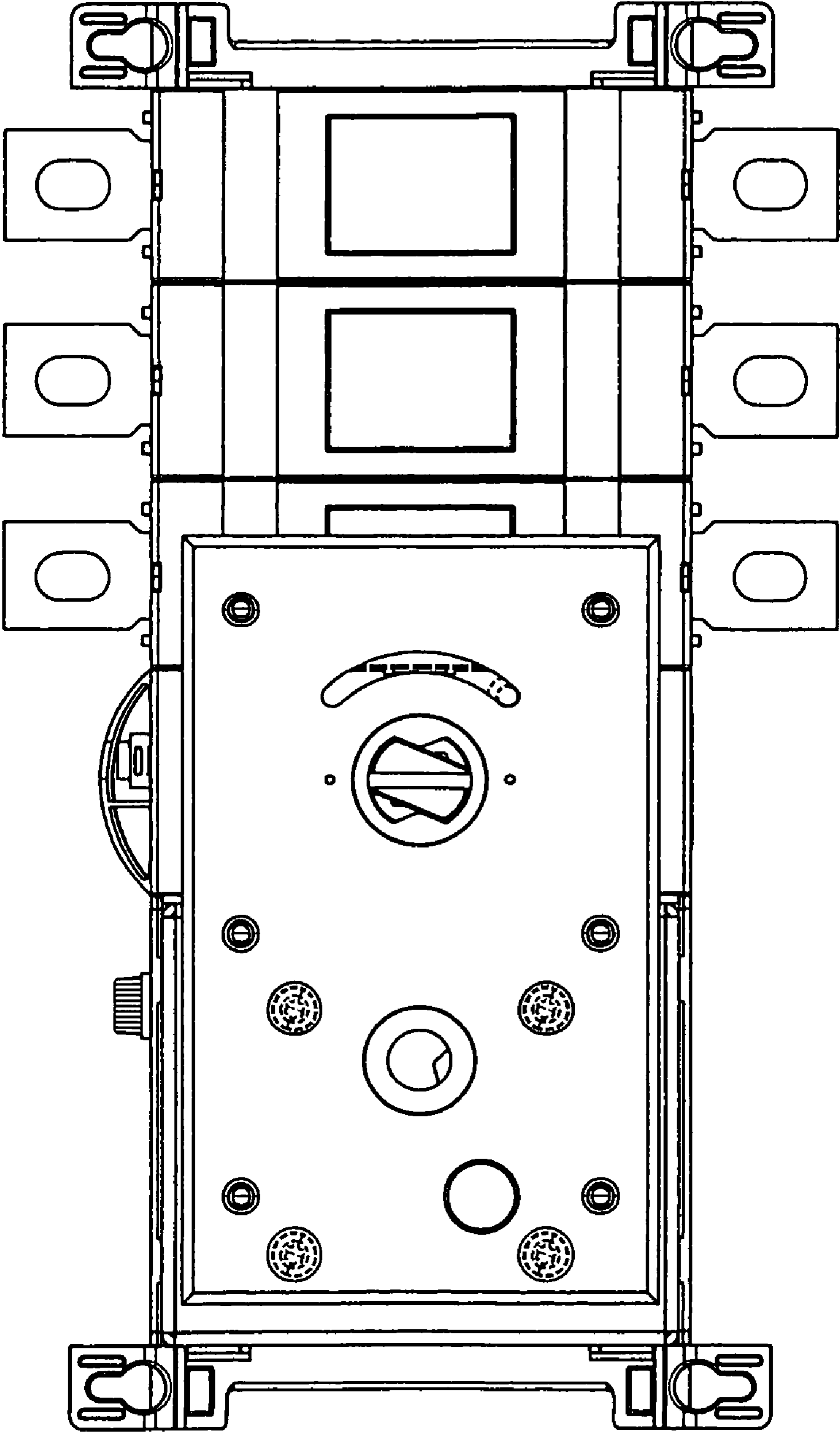
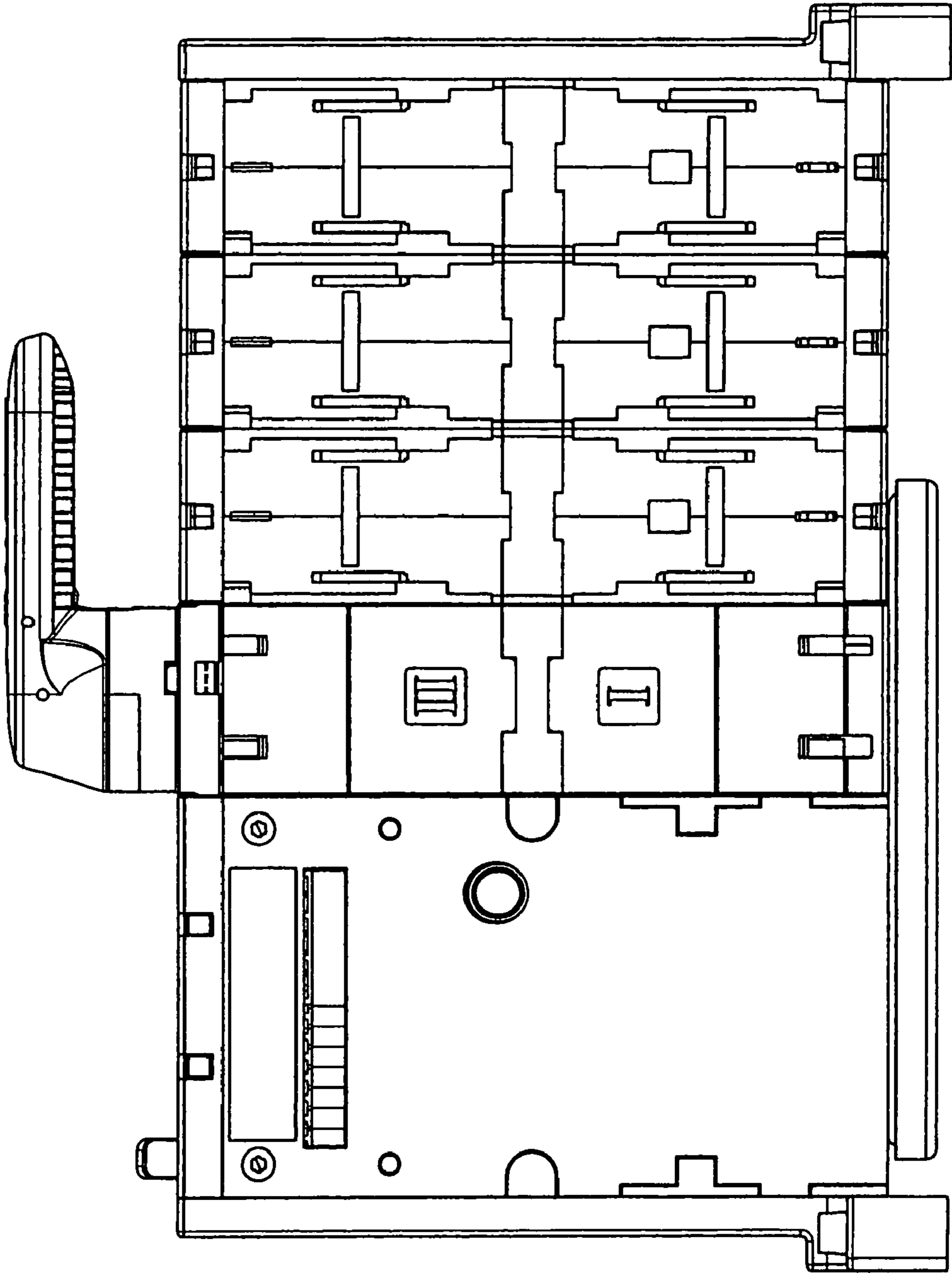


FIG. 4



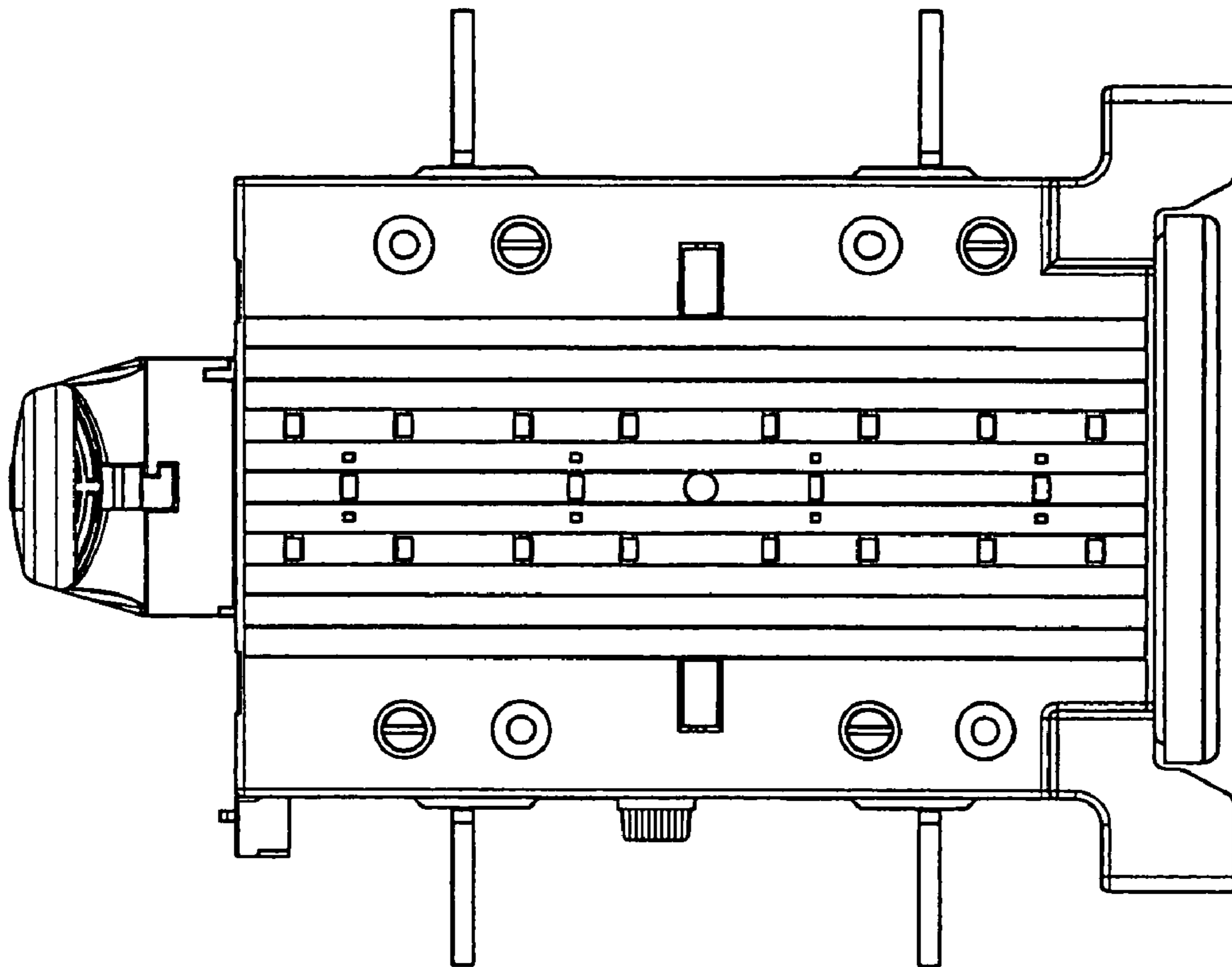


FIG. 5

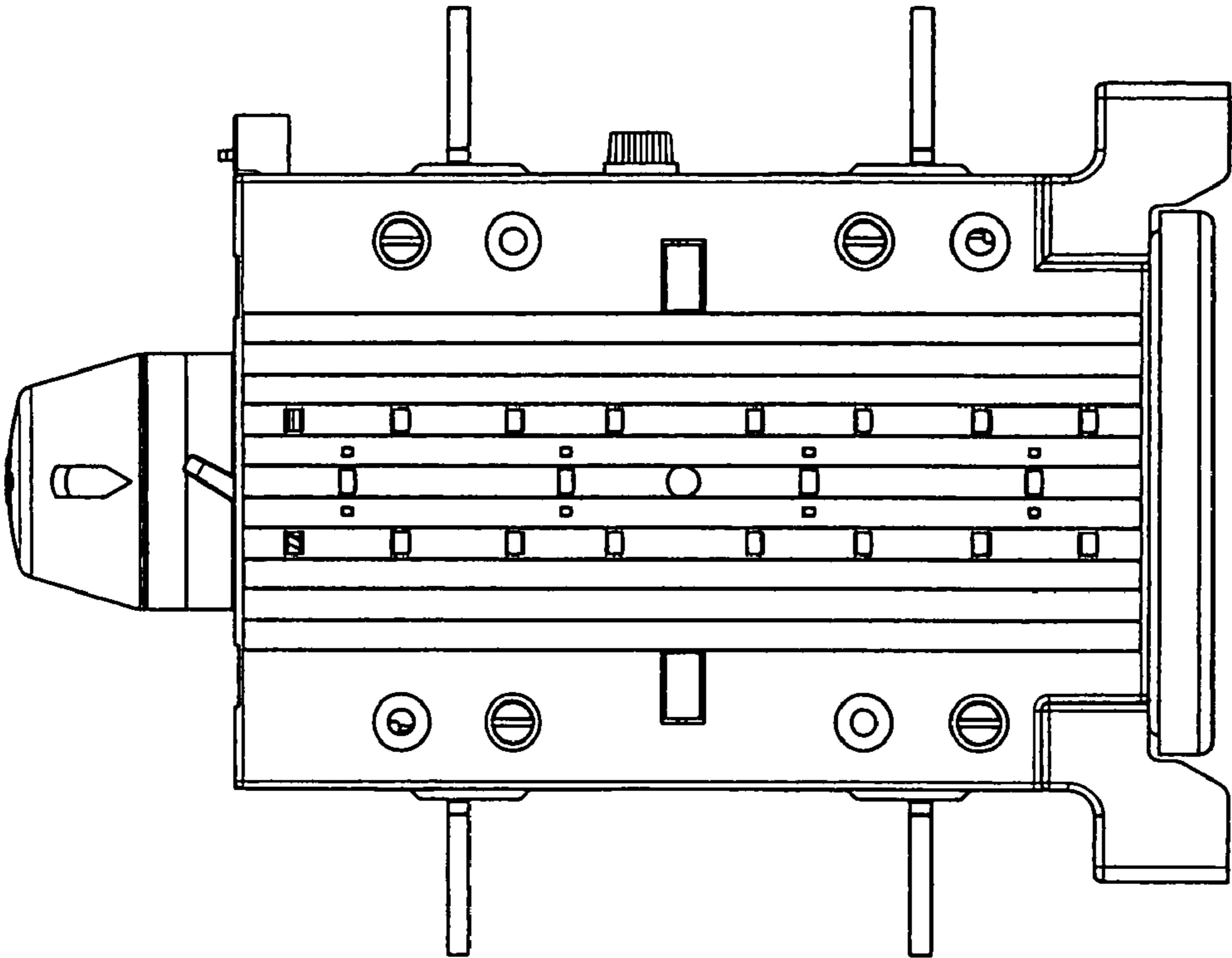


FIG. 6

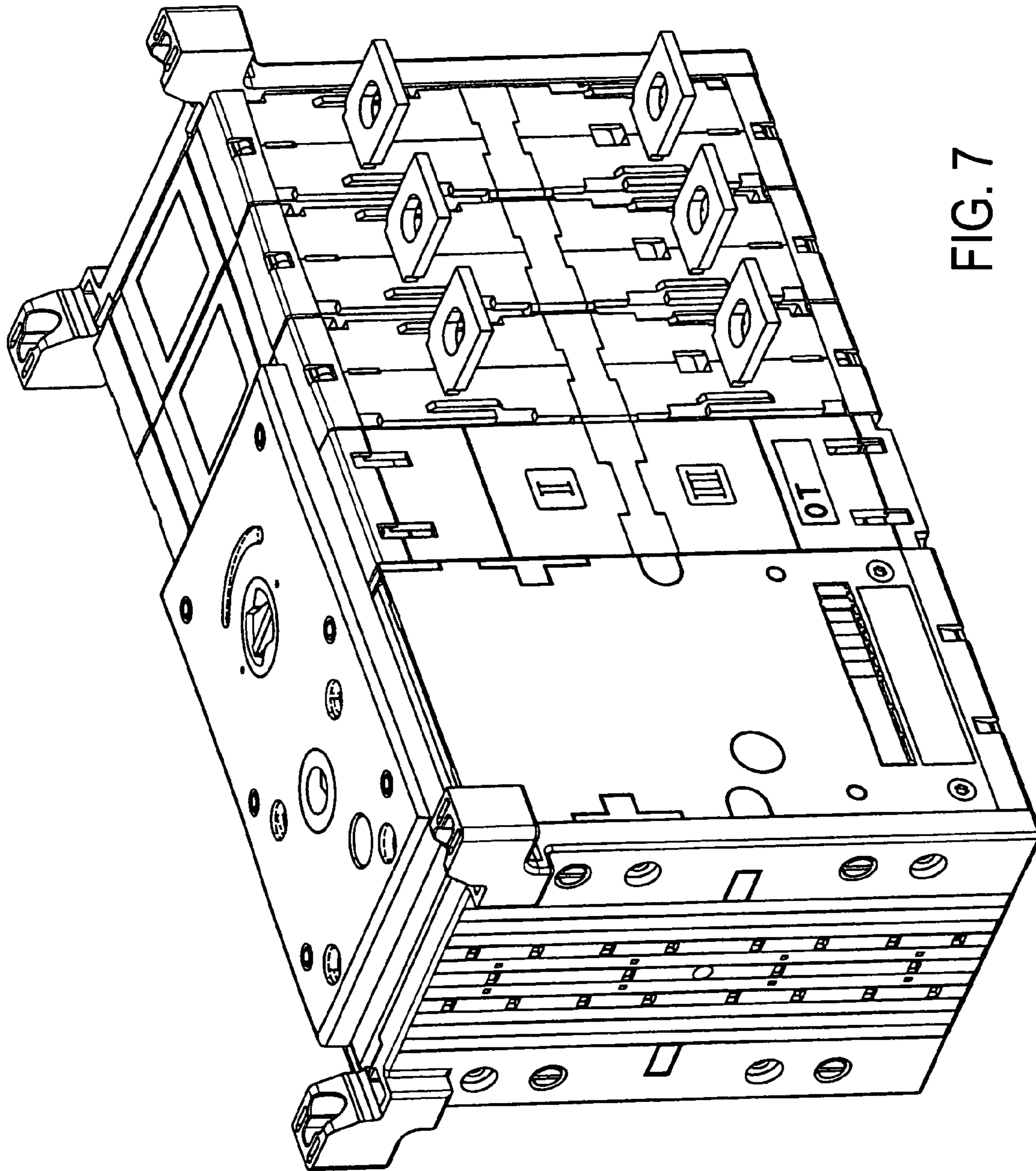


FIG. 7



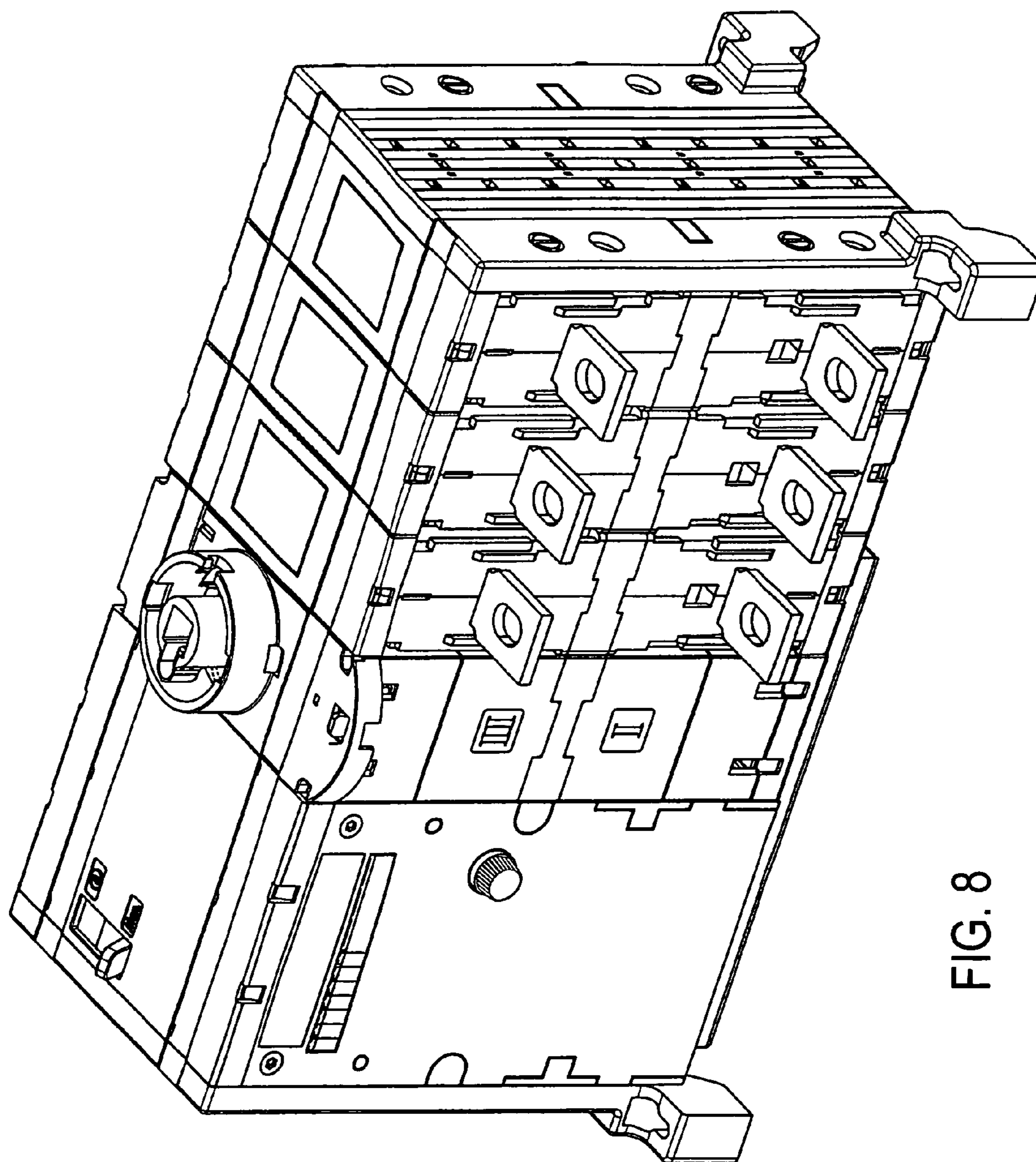


FIG. 8

FIG. 9

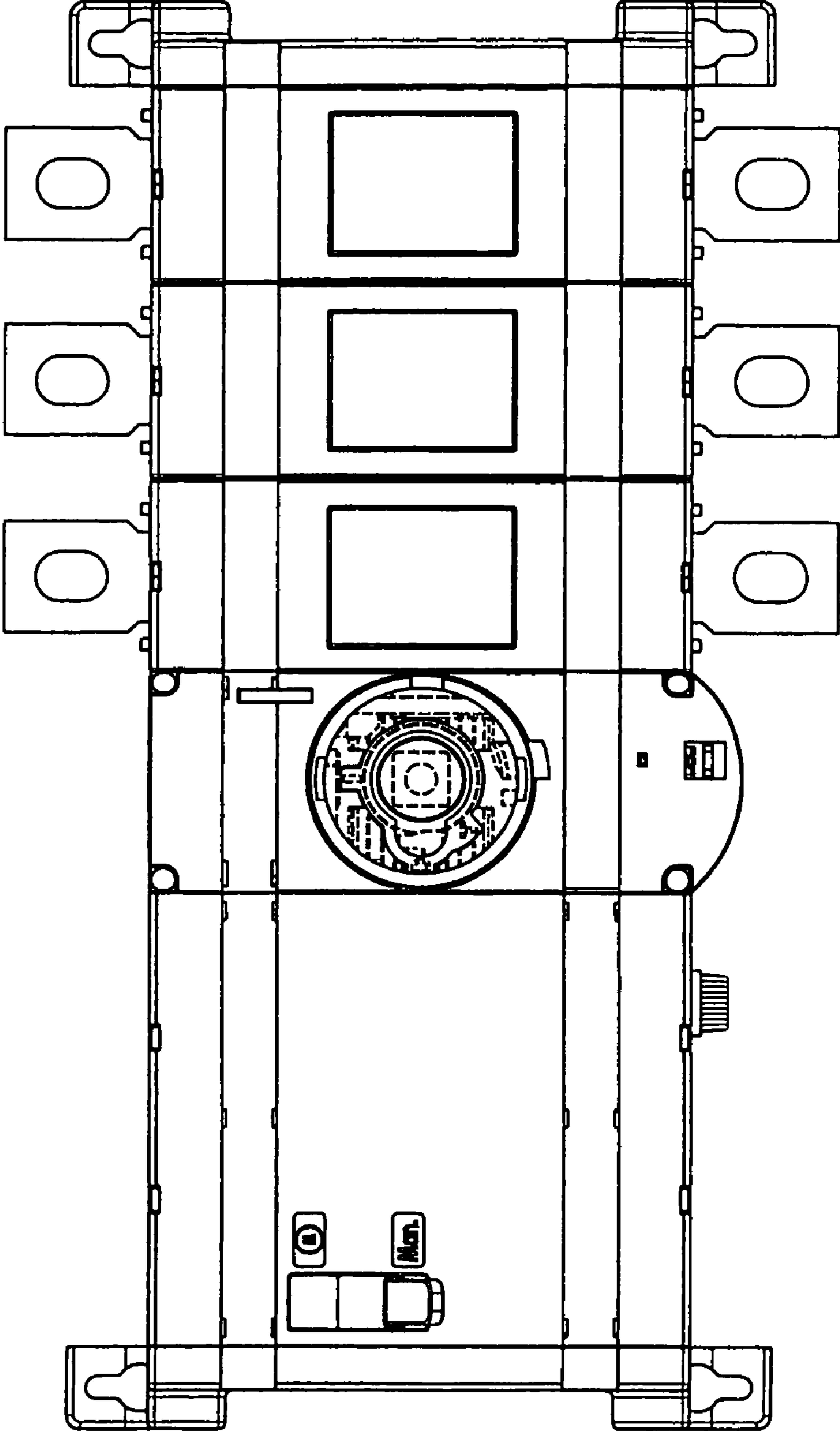


FIG. 10

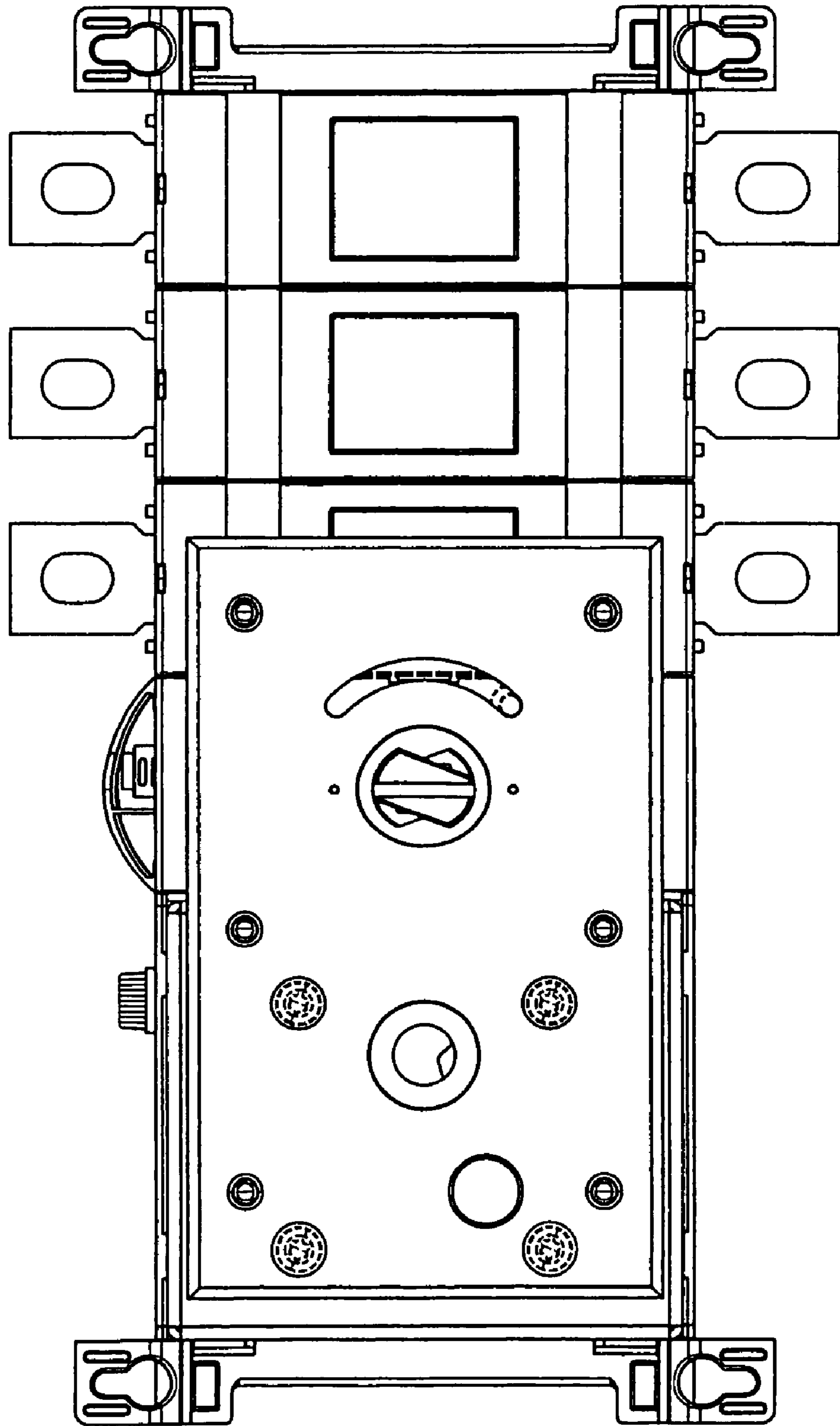
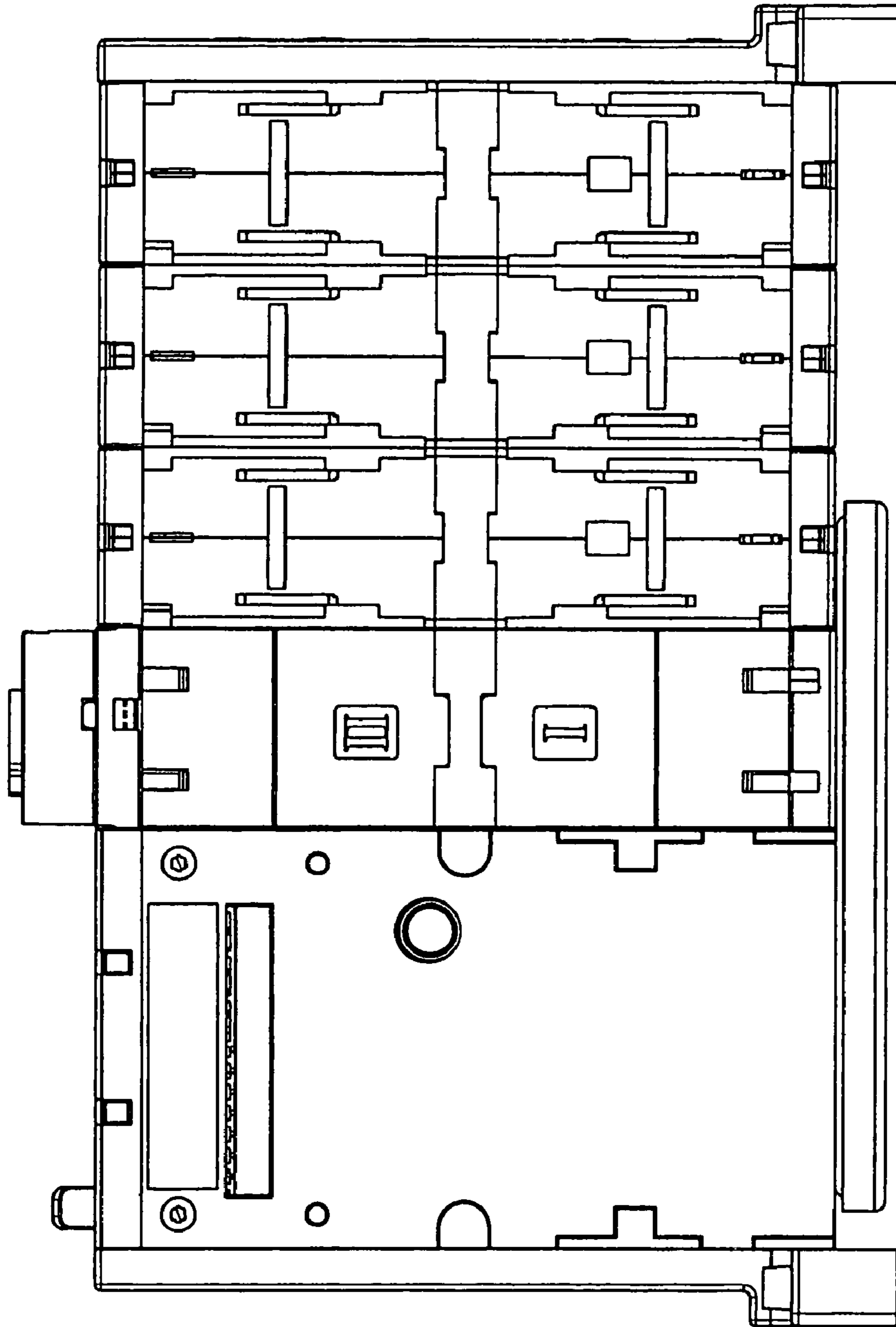


FIG. 11



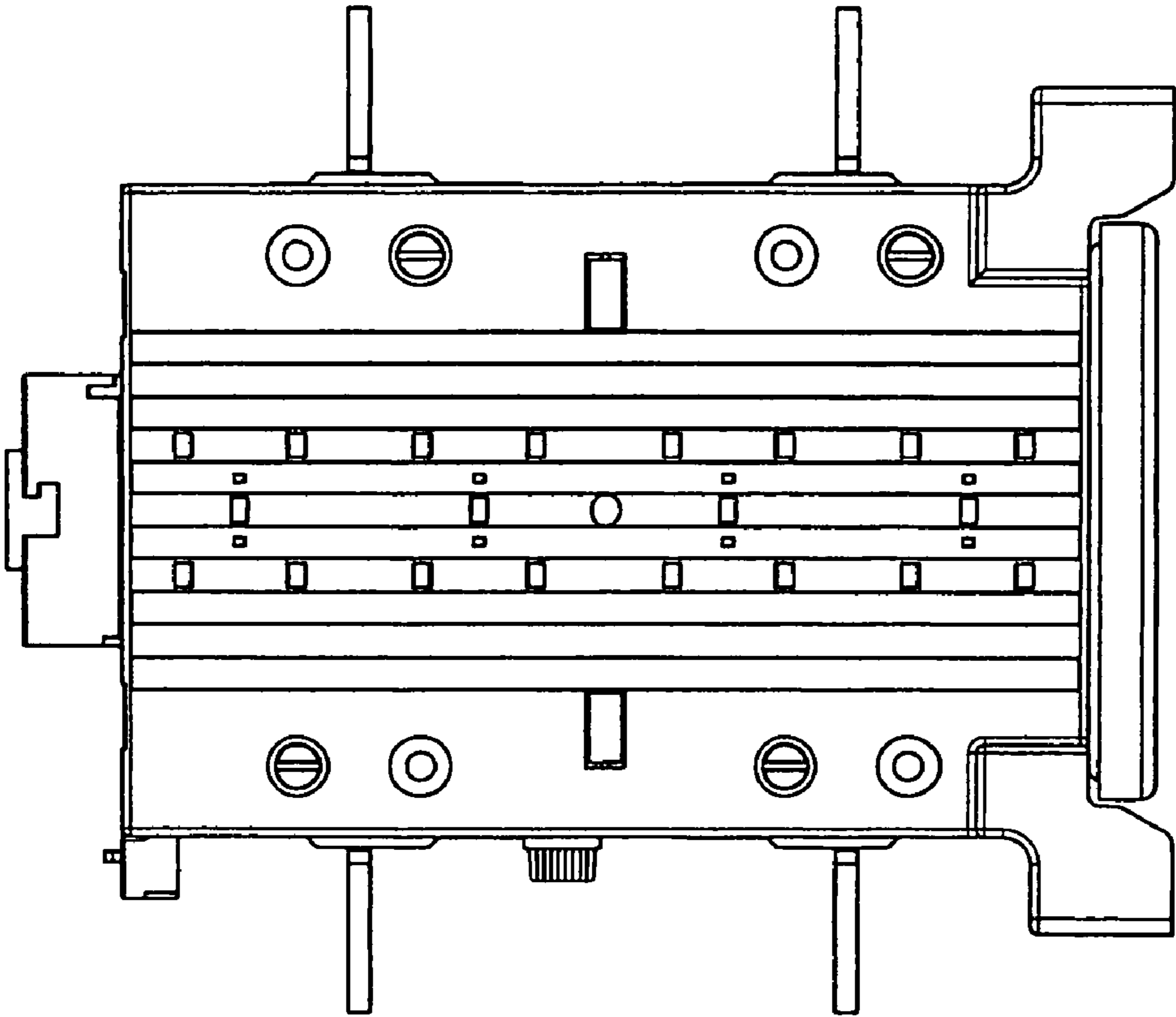


FIG. 12

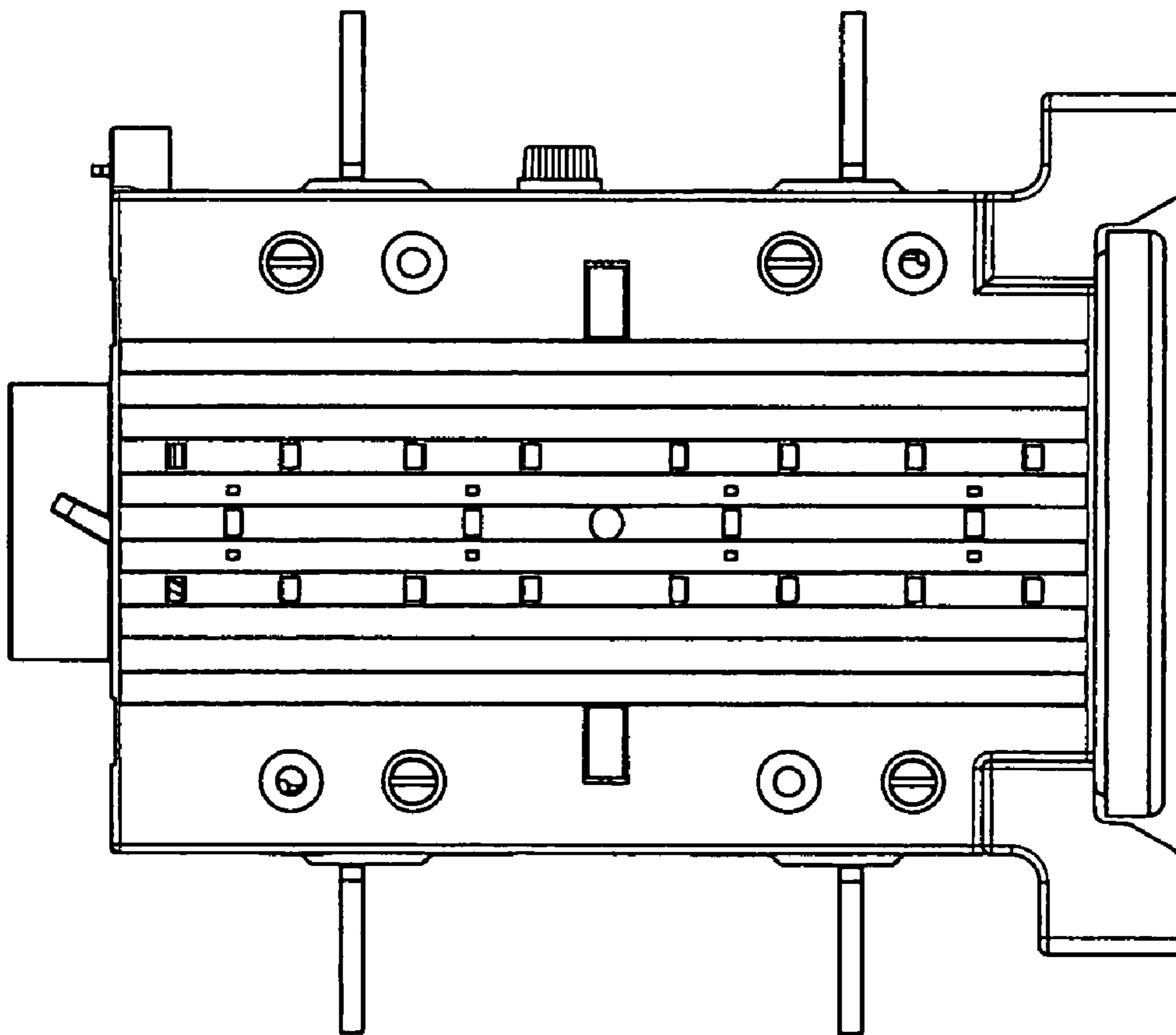


FIG. 13

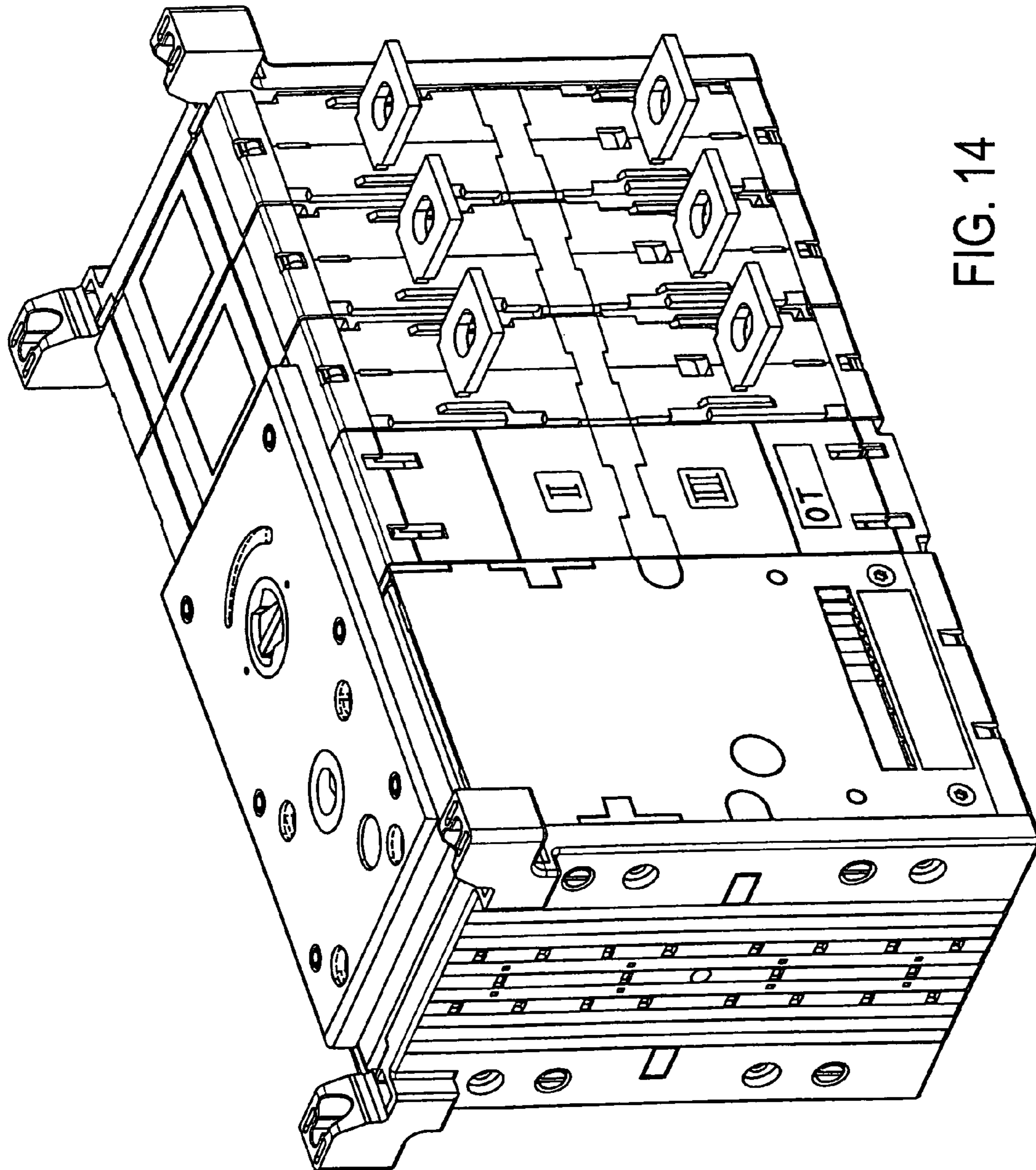


FIG. 14