



US00D571302S

(12) **United States Design Patent**
Bedggood

(10) **Patent No.:** **US D571,302 S**

(45) **Date of Patent:** **** Jun. 17, 2008**

(54) **SWITCH**

(76) Inventor: **Luke Bedggood**, 125 Red Lion Road,
Surbiton, Surrey (GB) KT6 7QS

(**) Term: **14 Years**

(21) Appl. No.: **29/269,948**

(22) Filed: **Dec. 12, 2006**

4,827,087 A	5/1989	Niimuma et al.
4,843,192 A	6/1989	Kamada et al.
4,965,420 A	10/1990	Phillips et al.
6,144,000 A	11/2000	Webb
6,326,572 B1	12/2001	Yu
6,489,580 B2	12/2002	Yanal et al.
6,521,852 B1	2/2003	Ni

Primary Examiner—Selina Sikder

(74) *Attorney, Agent, or Firm*—RatnerPrestia

Related U.S. Application Data

(62) Division of application No. 29/211,313, filed on Aug. 13, 2004.

(51) **LOC (8) Cl.** **13-03**

(52) **U.S. Cl.** **D13/158**

(58) **Field of Classification Search** D13/158,
D13/171; 200/293, 296, 329, 330, 341, 520,
200/534, 573

See application file for complete search history.

(56) **References Cited**

U.S. PATENT DOCUMENTS

D183,430 S	8/1958	Schmidt
D209,513 S	12/1967	Walters
D288,315 S	2/1987	Nelson

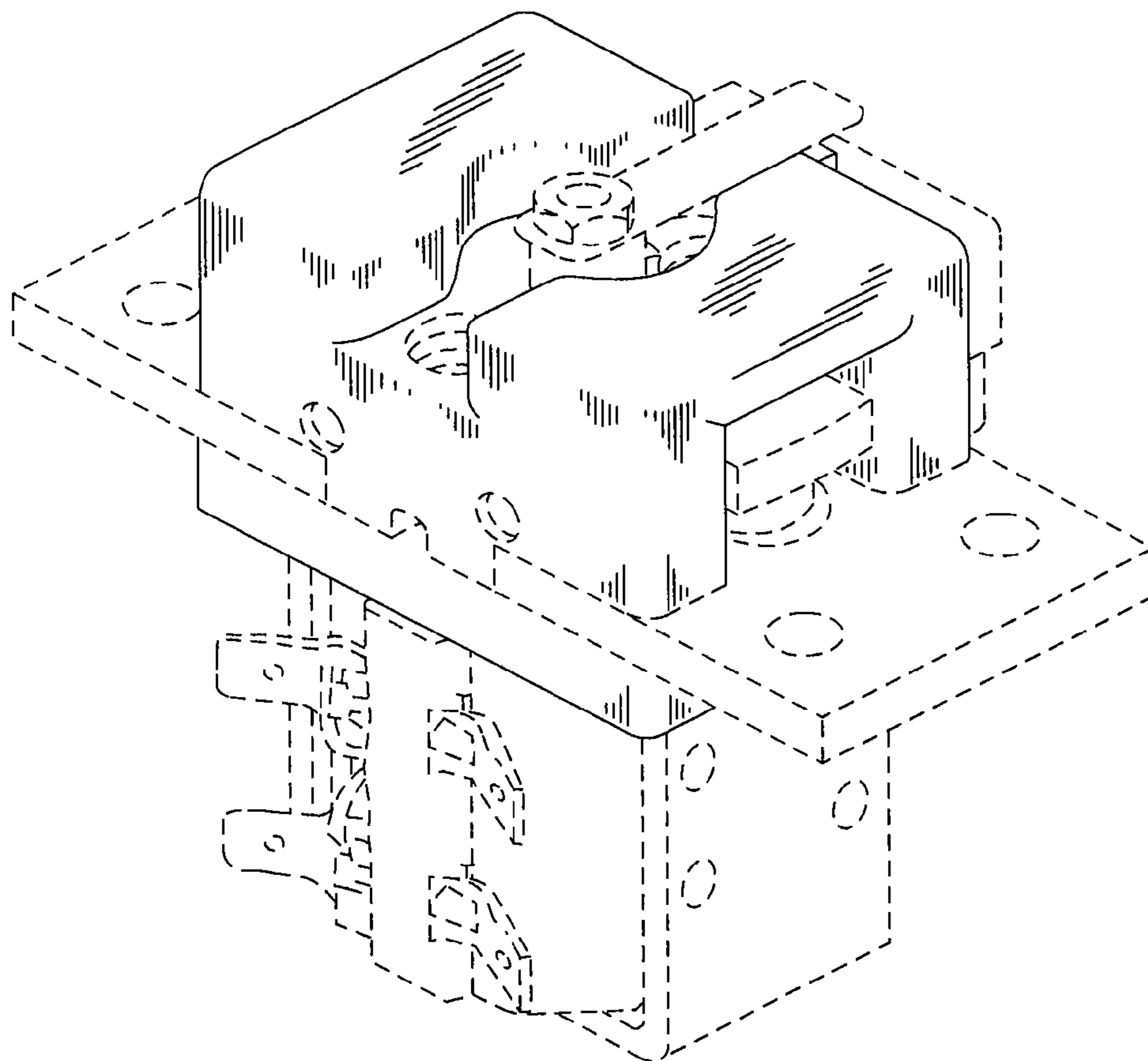
(57) **CLAIM**

The ornamental design for a switch, as shown and described.

DESCRIPTION

FIG. 1 is a perspective view of the switch.
 FIG. 2 is a front view of the switch illustrated in FIG. 1.
 FIG. 3 is a rear view of the switch illustrated in FIG. 1.
 FIG. 4 is a right side view of the switch illustrated in FIG. 1; and,
 FIG. 5 is a top view of the switch illustrated in FIG. 1.
 The broken lines are for illustration only and form no part of the claimed design.

1 Claim, 5 Drawing Sheets



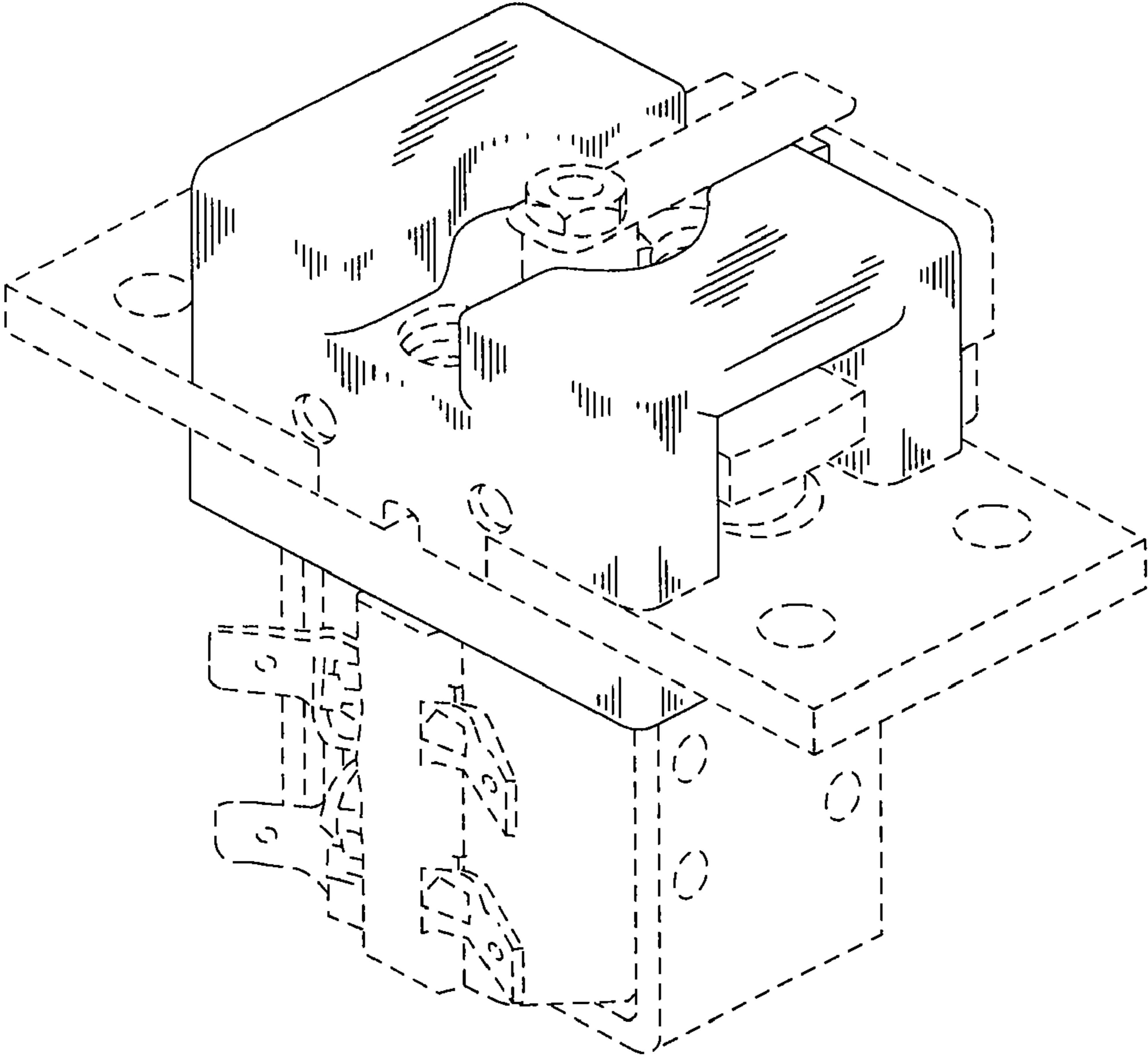


Fig. 1

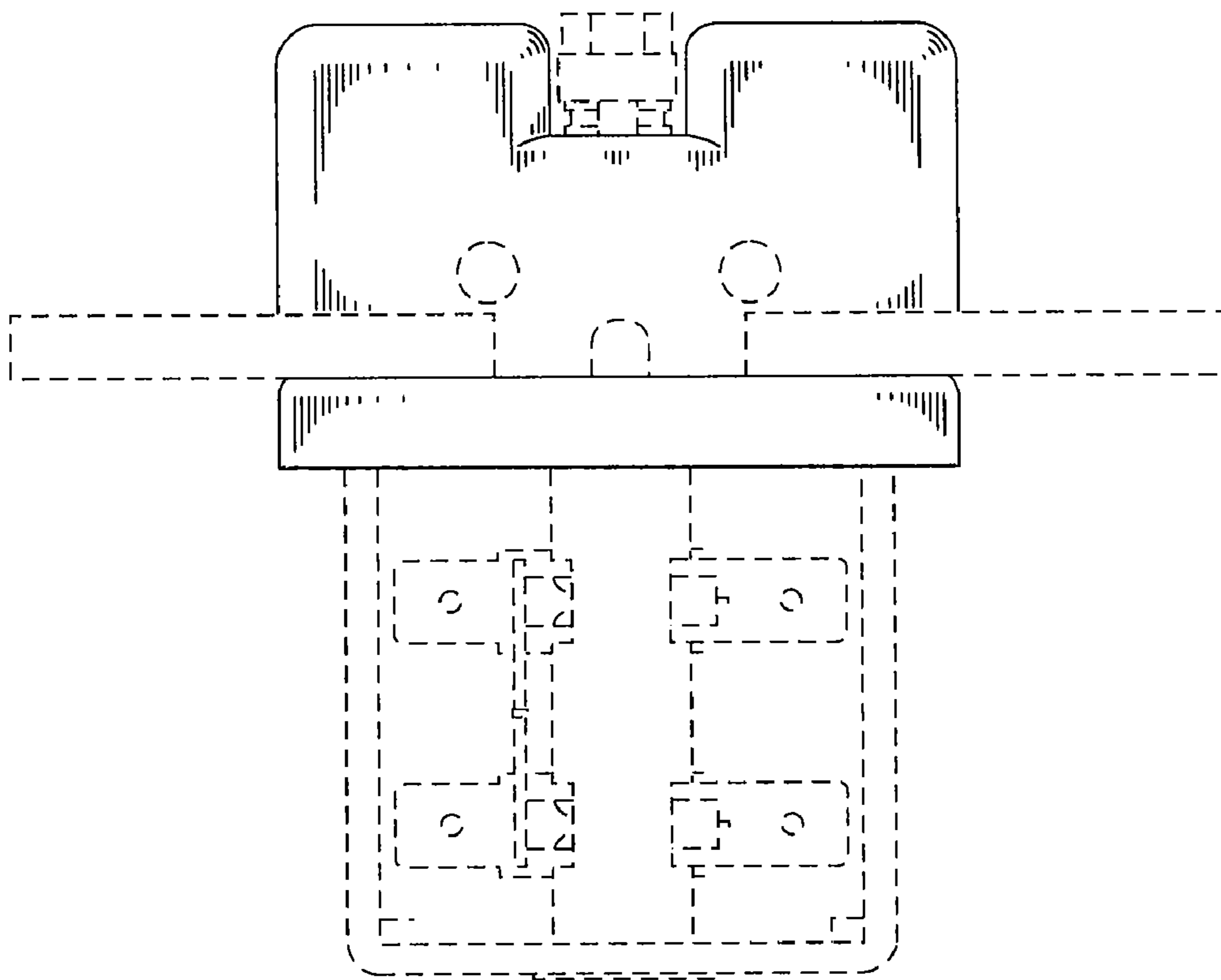


Fig. 2

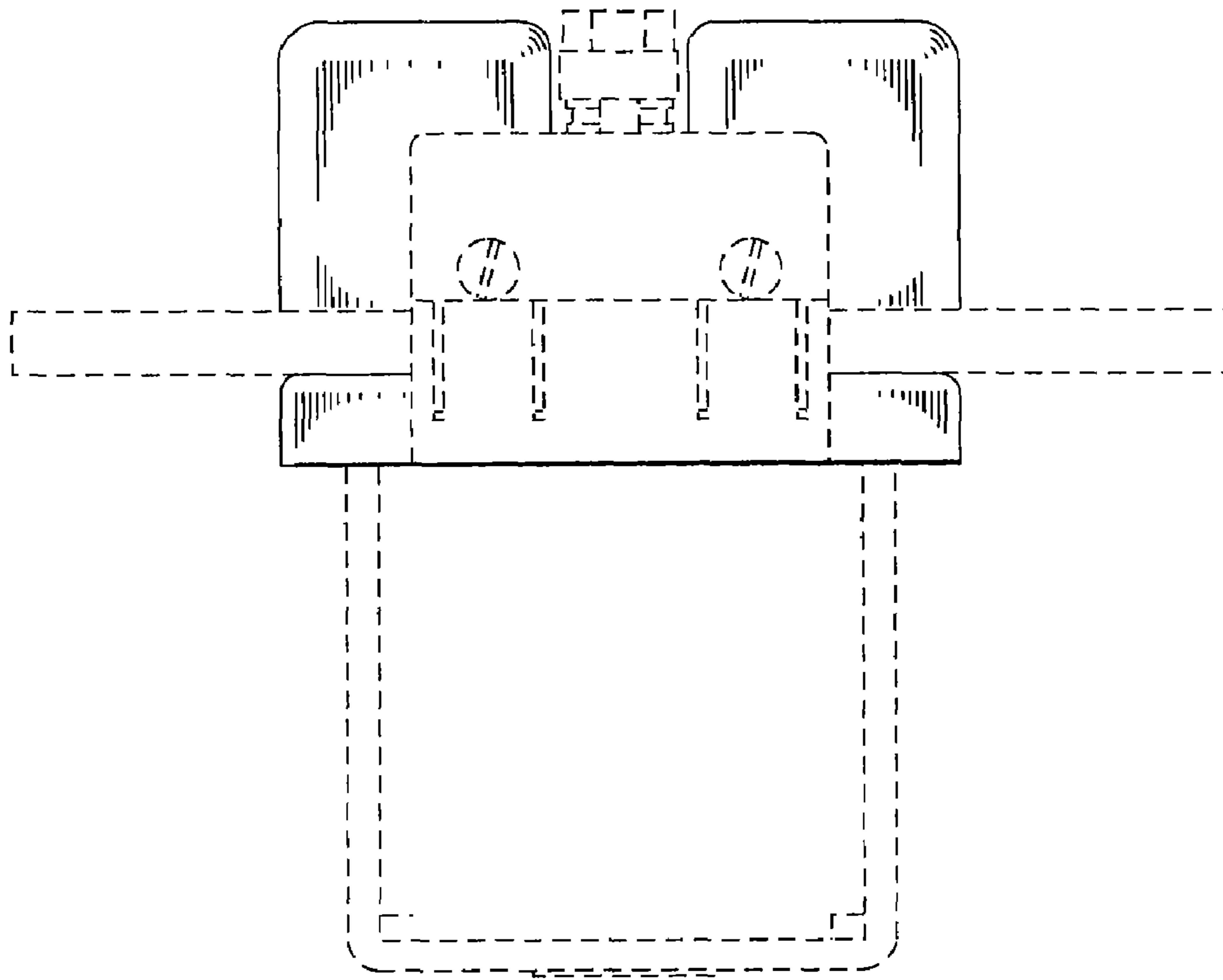


Fig. 3

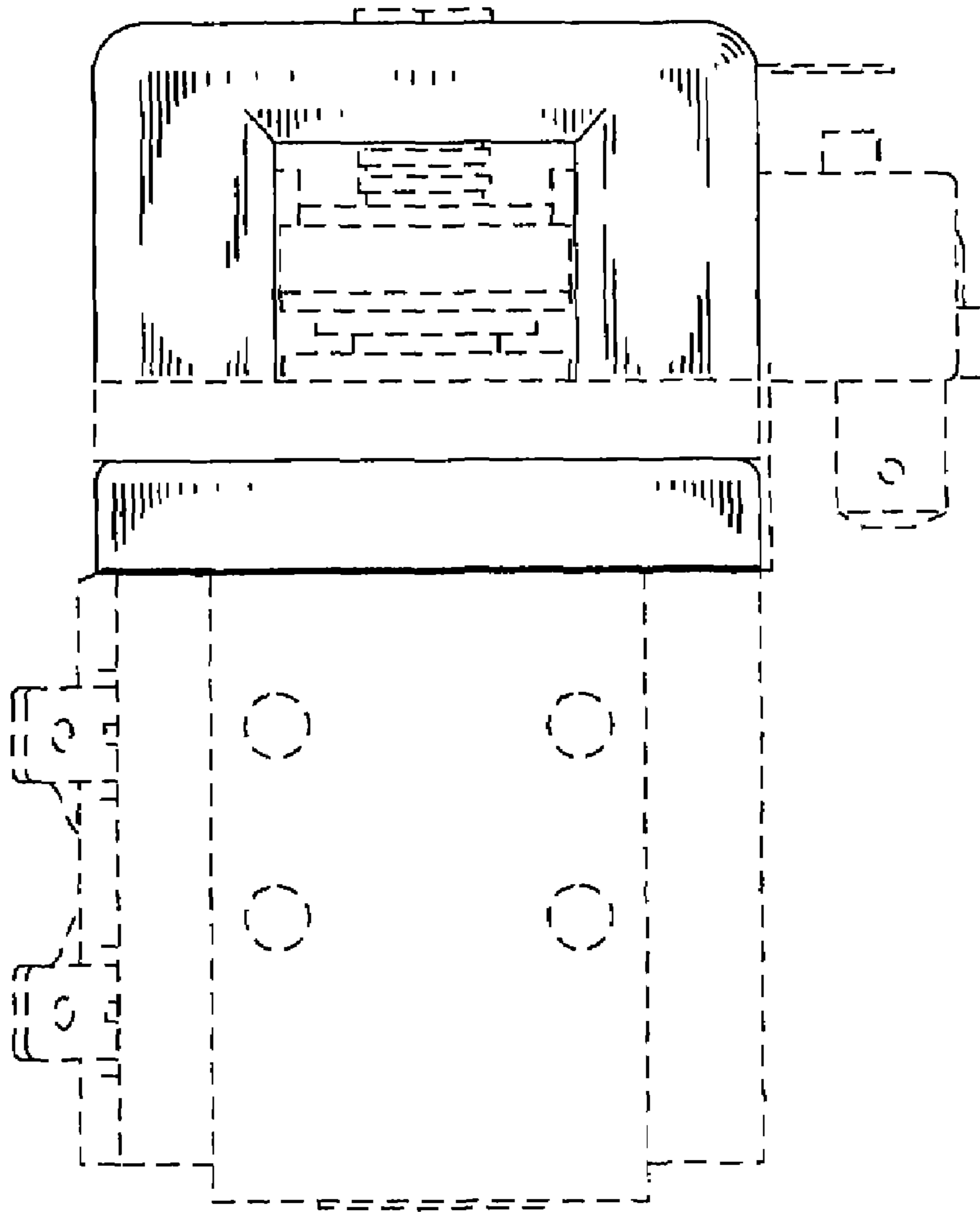


Fig. 4

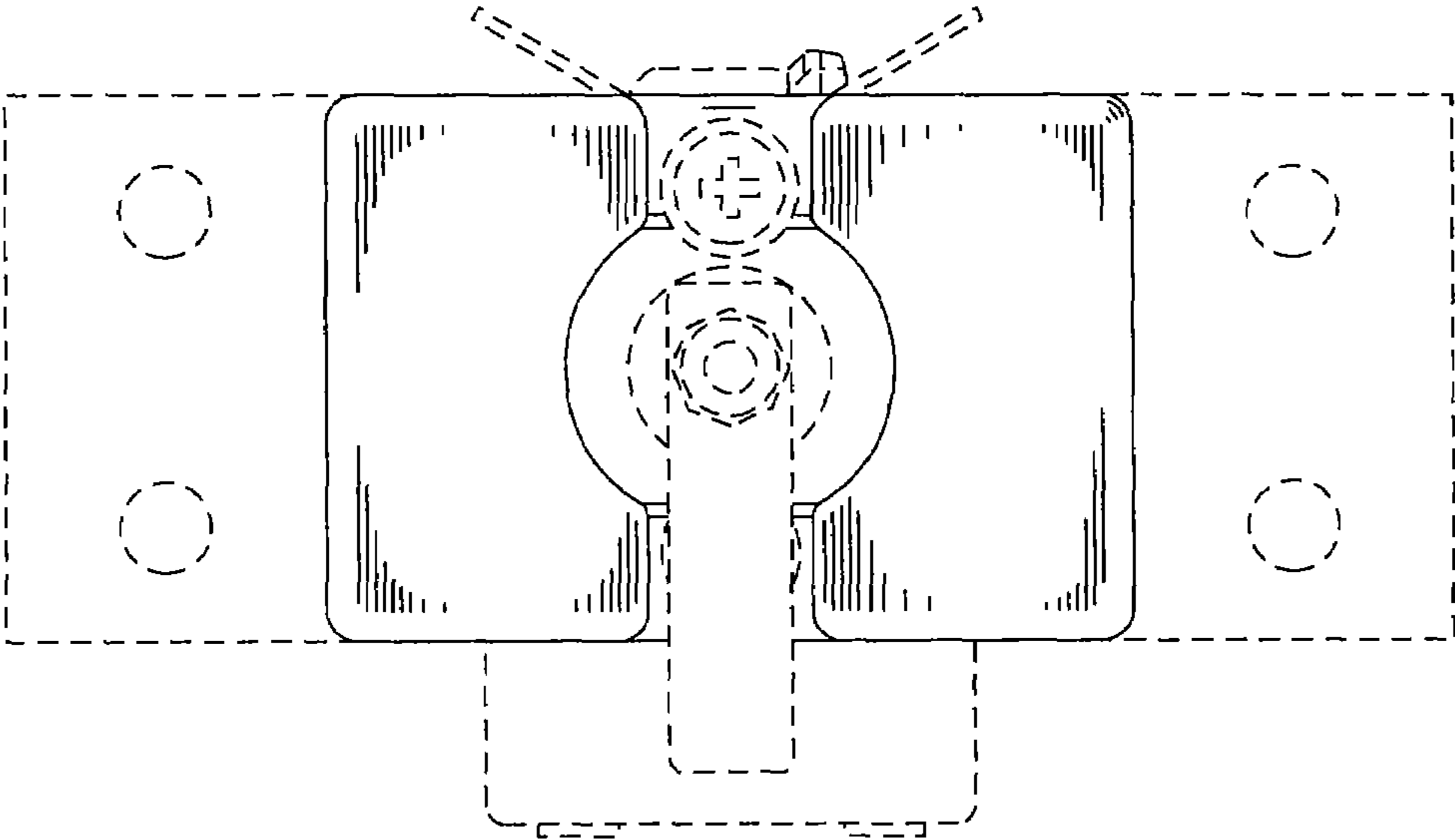


Fig. 5