



US00D571301S

(12) **United States Design Patent**  
**Nakashima et al.**

(10) **Patent No.:** **US D571,301 S**  
(45) **Date of Patent:** **\*\* Jun. 17, 2008**

(54) **CORE CONNECTOR FOR AN OPTICAL COMMUNICATION CONNECTOR**

D464,031 S \* 10/2002 Gillingham ..... D13/184  
6,767,243 B2 \* 7/2004 McCoy ..... 439/521

(75) Inventors: **Yoshiyuki Nakashima**, Yokohama (JP);  
**Yukihiro Yokomachi**, Yokosuka (JP);  
**Kenichiro Ohtsuka**, Fujisawa (JP);  
**Daizo Nishioka**, Fujisawa (JP)

**OTHER PUBLICATIONS**

Catalogue of Sumitomo Electric Industries, Ltd.'s "QST-02"; 1 page /Award 2004.

\* cited by examiner

(73) Assignees: **Matsushita Electric Works, Ltd.**,  
Kadoma-shi, Osaka (JP); **Sumitomo Electric Industries, Ltd.**, Osaka-shi,  
Osaka (JP)

*Primary Examiner*—Daniel Bui

(74) *Attorney, Agent, or Firm*—Osha•Liang LLP

(\*\*) Term: **14 Years**

The ornamental design for a core connector for an optical communication connector, as shown and described.

(21) Appl. No.: **29/243,597**

(22) Filed: **Nov. 28, 2005**

**DESCRIPTION**

(30) **Foreign Application Priority Data**

May 30, 2005 (JP) ..... 2005-015530

FIG. 1 is a perspective view of the front, bottom and right side of a core connector for an optical communication connector showing our new design.

(51) **LOC (8) Cl.** ..... **13-03**

(52) **U.S. Cl.** ..... **D13/154; D13/133**

(58) **Field of Classification Search** ..... D13/133,  
D13/146–147, 154, 184, 199; D16/130,  
D16/136, 219, 235, 250; 396/661; 398/117;  
439/310, 325, 374, 377, 527, 533, 538, 569  
See application file for complete search history.

FIG. 2 is a front view thereof.

FIG. 3 is a right side view thereof.

FIG. 4 is a rear view thereof.

FIG. 5 is a left side view thereof.

FIG. 6 is a top plan view thereof.

FIG. 7 is a bottom view thereof.

FIG. 8 is a cross-sectional view thereof, taken along line "8—8" in FIG. 2; and,

FIG. 9 is a front, bottom and left side perspective view thereof, in use condition.

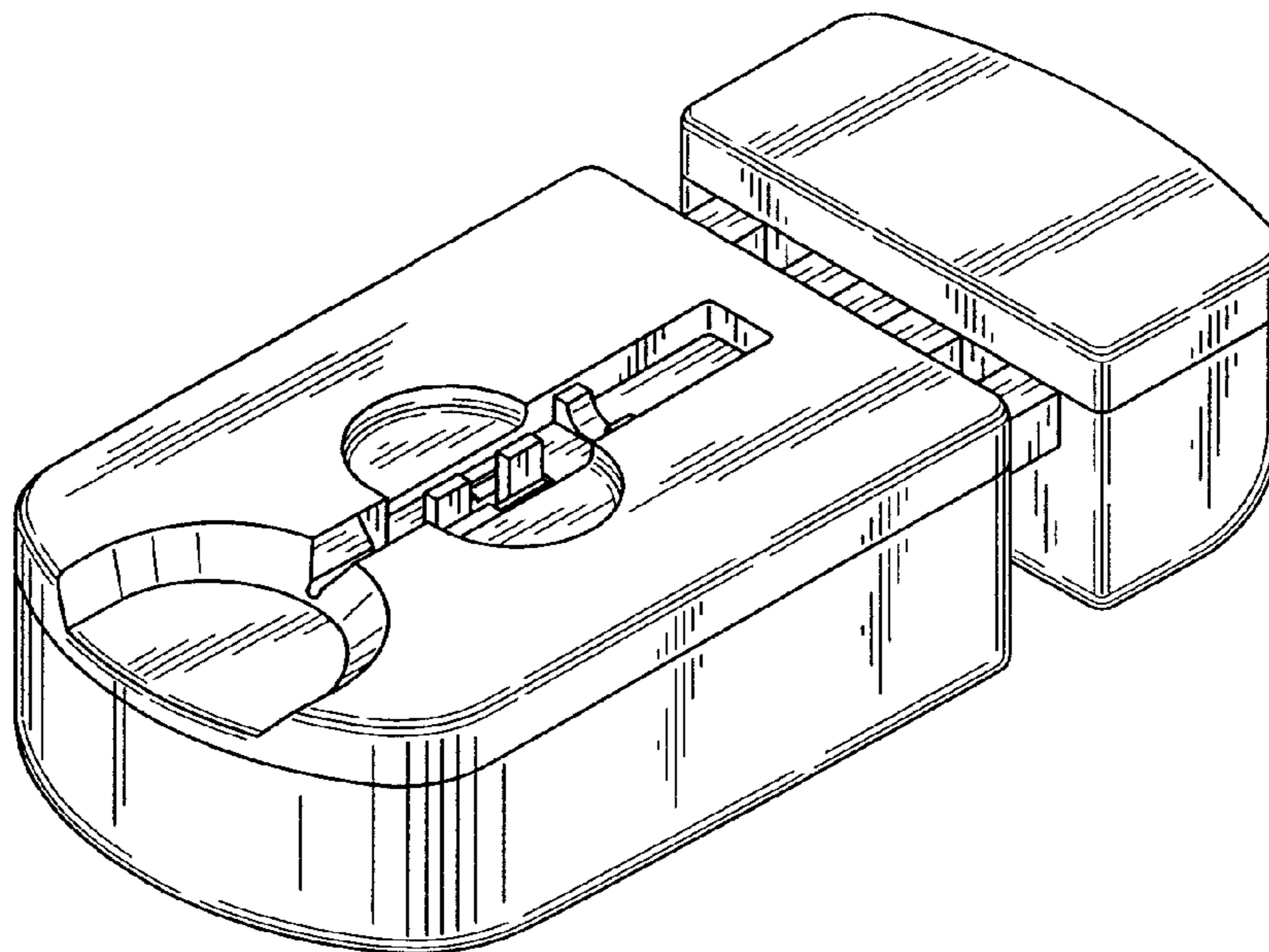
The broken line showing of the environment is for illustrative purposes only and forms no part of the claimed design.

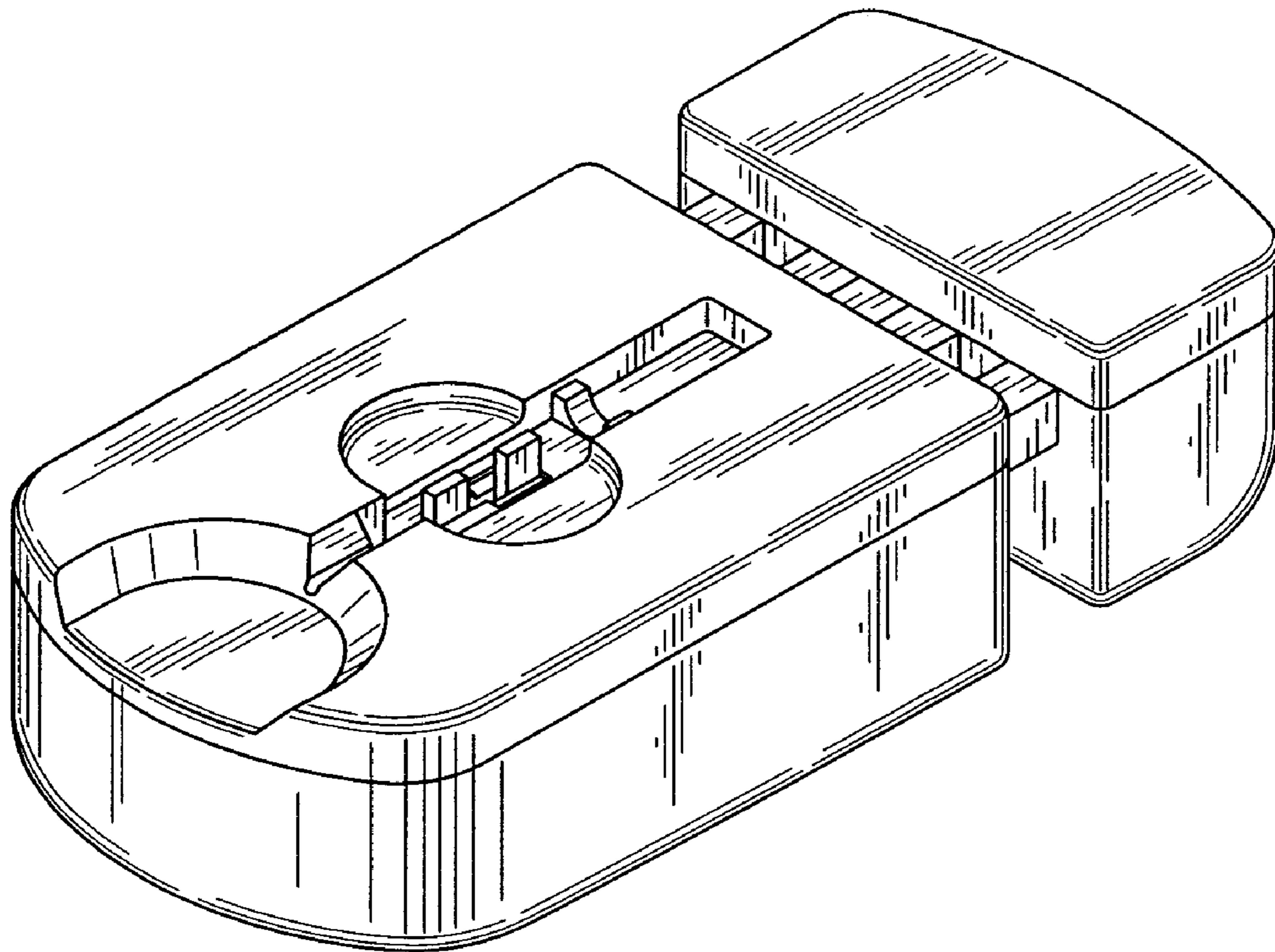
(56) **References Cited**

**U.S. PATENT DOCUMENTS**

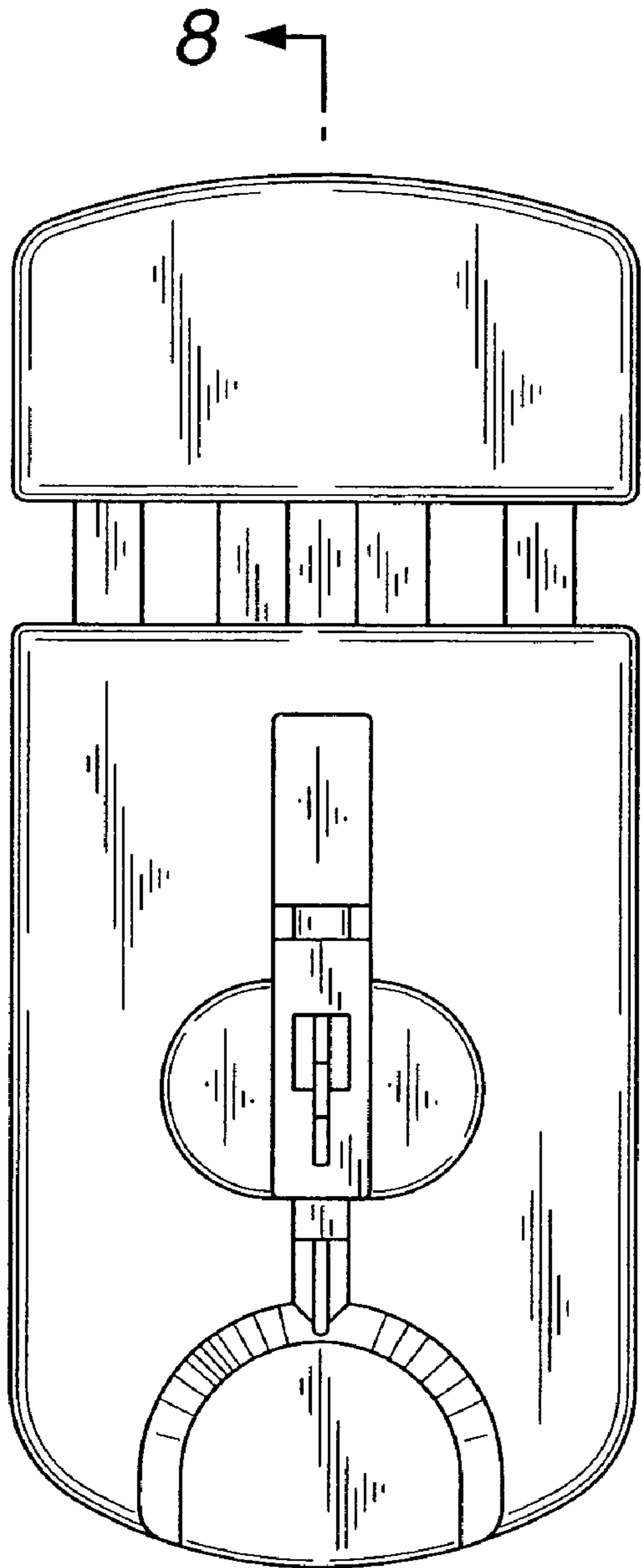
3,584,157 A \* 6/1971 Prescott ..... 379/428.04  
D428,862 S \* 8/2000 Queffelec et al. .... D13/184  
6,296,240 B1 \* 10/2001 Nakai et al. .... 269/47  
6,347,893 B1 \* 2/2002 Shiono et al. .... 396/448

**1 Claim, 5 Drawing Sheets**





*FIG. 1*

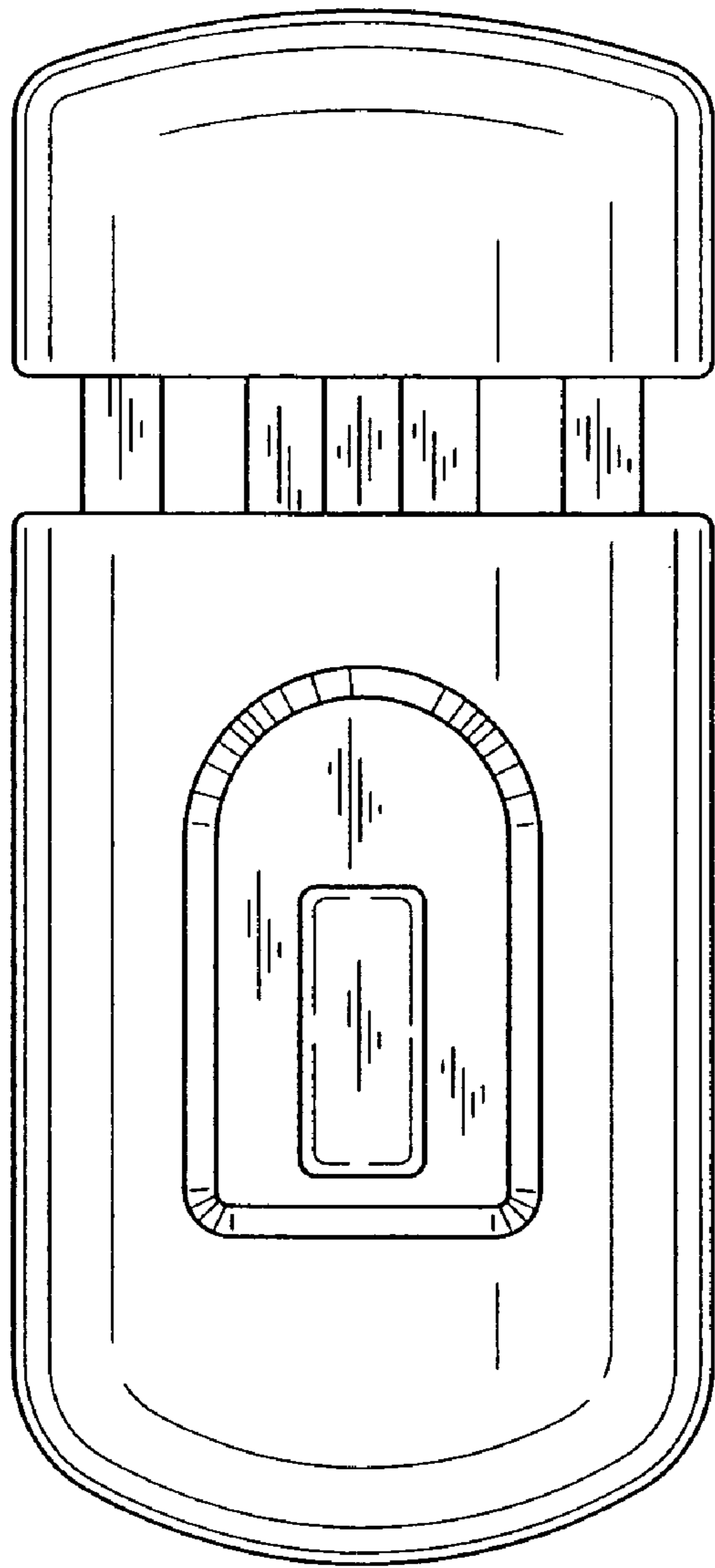


8 ←

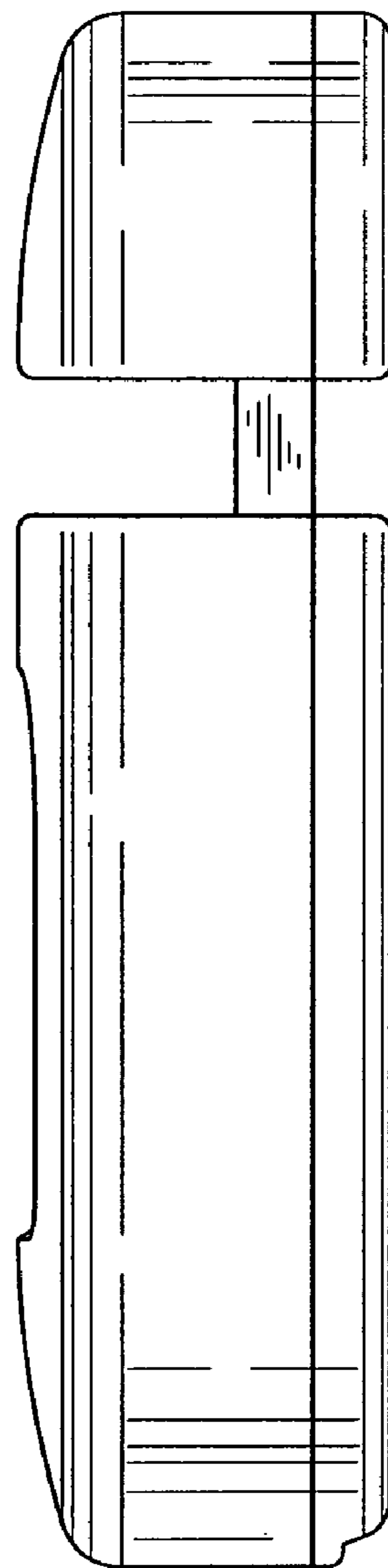
**FIG. 2**



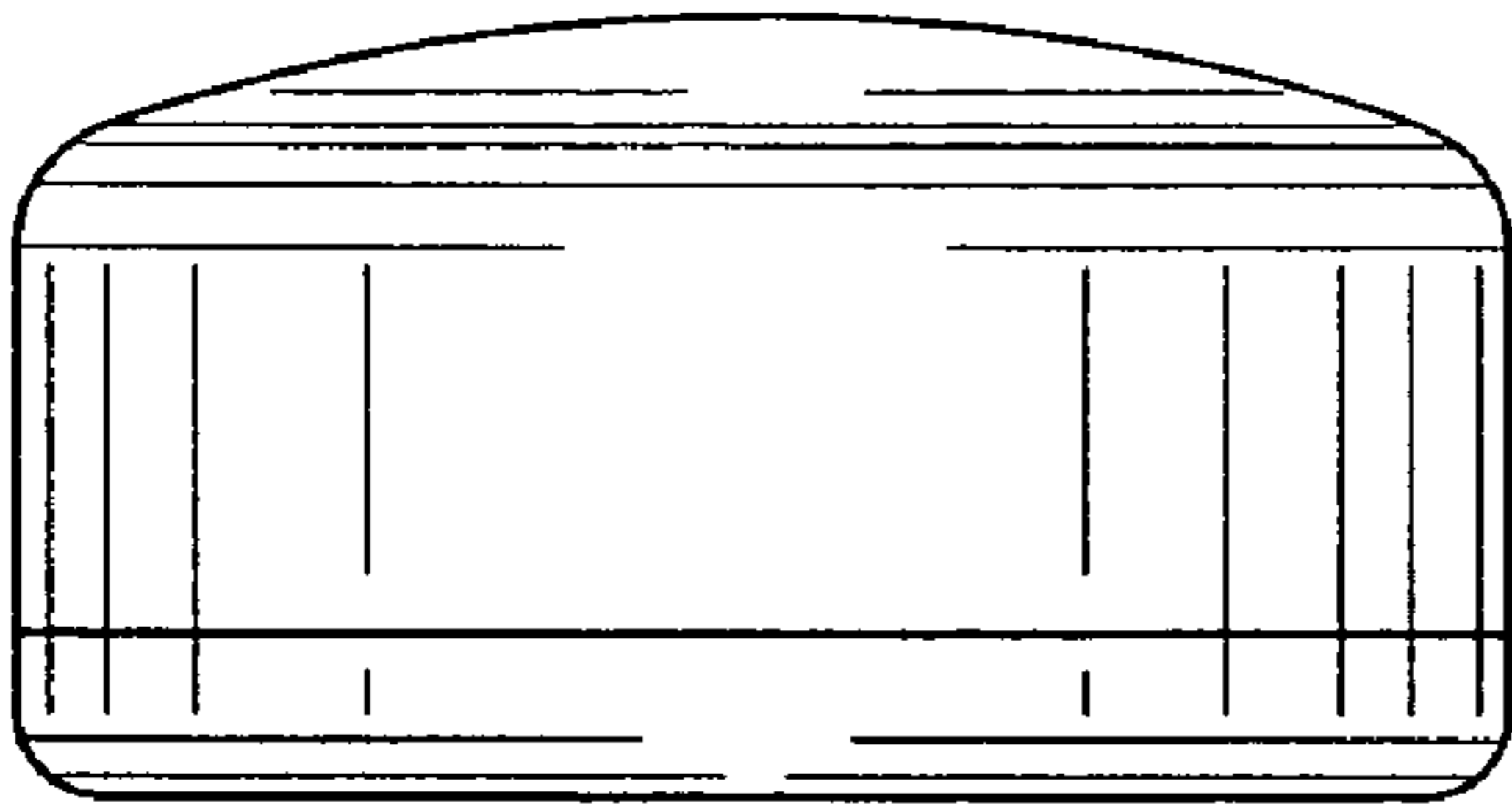
**FIG. 3**



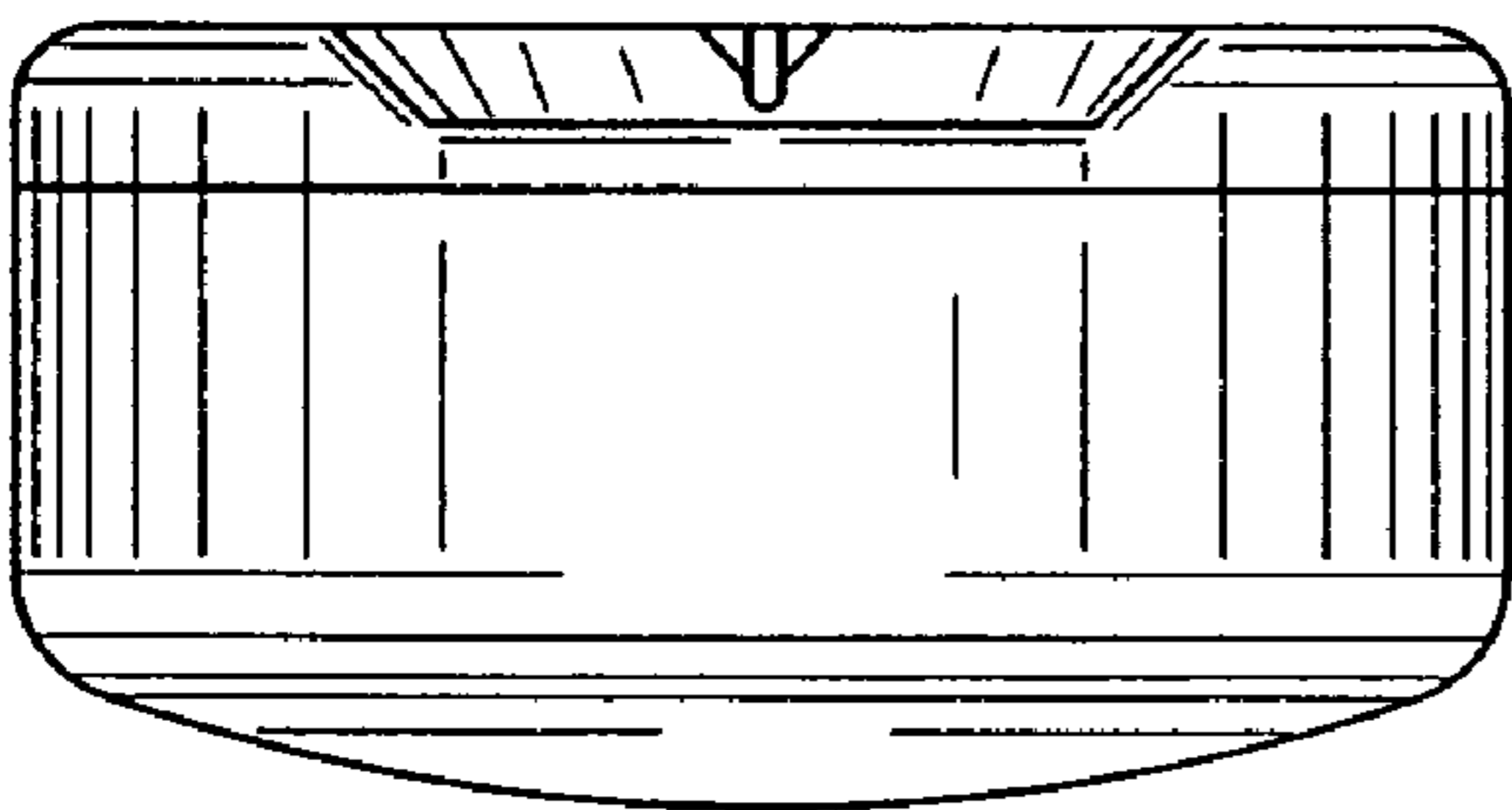
**FIG. 4**



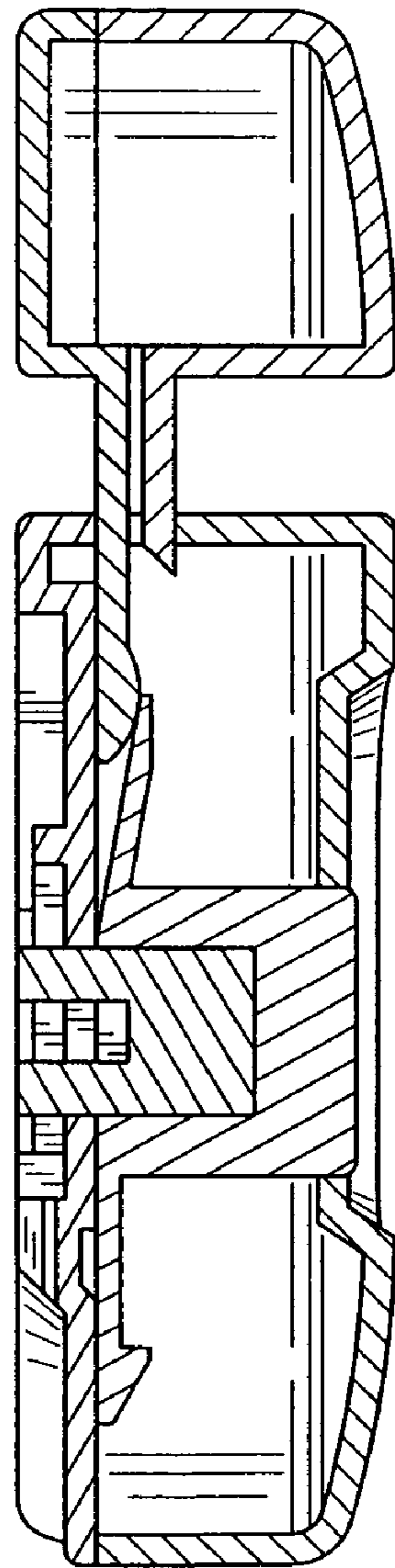
**FIG. 5**



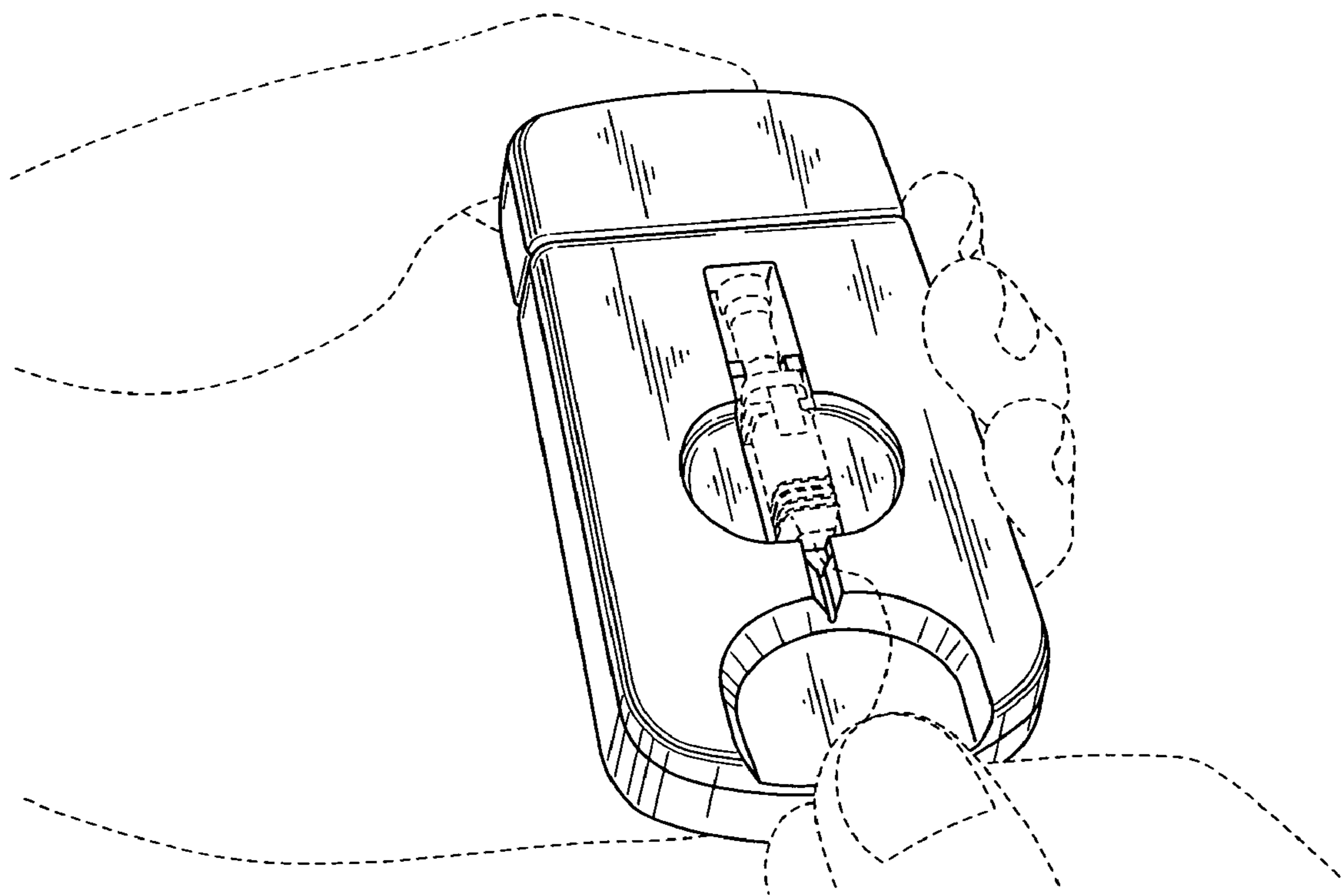
**FIG. 6**



**FIG. 7**



**FIG. 8**



**FIG. 9**