



US00D571300S

(12) **United States Design Patent**
Wu

(10) **Patent No.:** **US D571,300 S**
(45) **Date of Patent:** **** Jun. 17, 2008**

(54) **ELECTRICAL CONNECTOR**

(75) Inventor: **Chun-Kung Wu**, Tu-cheng (TW)

(73) Assignee: **Hon Hai Precision Ind. Co., Ltd.**,
Taipei Hsien (TW)

(**) Term: **14 Years**

(21) Appl. No.: **29/291,385**

(22) Filed: **Aug. 27, 2007**

(30) **Foreign Application Priority Data**

Feb. 26, 2007 (TW) 96301144

(51) **LOC (8) Cl.** **13-03**

(52) **U.S. Cl.** **D13/147**

(58) **Field of Classification Search** D13/133,
D13/146-147, 154, 184, 199; D14/432,
D14/433, 435, 436, 438; 439/64, 79, 159-160,
439/607-610, 629-631, 636, 660; 361/684-685
See application file for complete search history.

(56) **References Cited**

U.S. PATENT DOCUMENTS

6,382,995 B1 * 5/2002 Bricaud et al. 439/159
6,913,479 B1 * 7/2005 Su et al. 439/326
D528,986 S * 9/2006 Su D13/147
D530,284 S * 10/2006 Su D13/147

D535,258 S * 1/2007 Sasaki D13/147
D539,746 S * 4/2007 Lee D13/147
D544,842 S * 6/2007 Nishio et al. D13/147
D547,727 S * 7/2007 Sasaki D13/147
D547,728 S * 7/2007 Lee et al. D13/147
D559,255 S * 1/2008 Nishio et al. D14/433

* cited by examiner

Primary Examiner—Daniel D Bui

(74) *Attorney, Agent, or Firm*—Wei Te Chung

(57) **CLAIM**

The ornamental design for an electrical connector, as shown and described.

DESCRIPTION

FIG. 1 is a perspective view of an electrical connector showing my new design;

FIG. 2 is a front elevational view of FIG. 1;

FIG. 3 is a rear elevational view of FIG. 1;

FIG. 4 is a left side elevational view of FIG. 1;

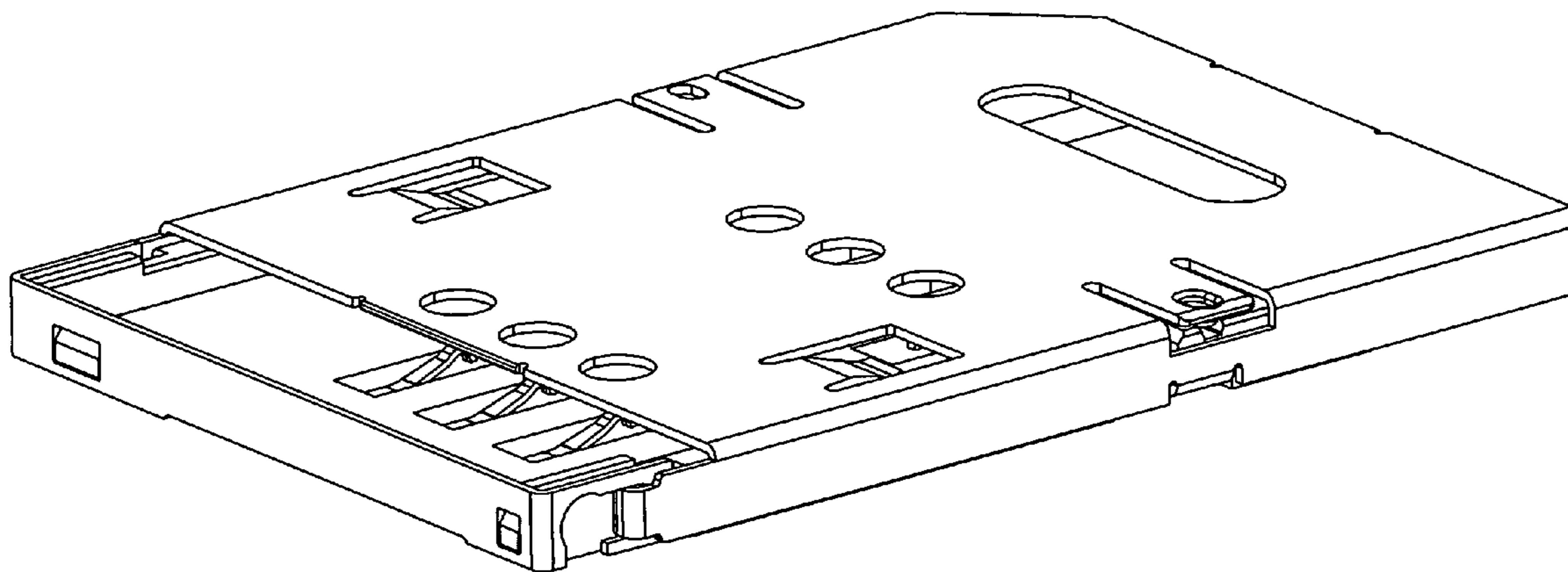
FIG. 5 is a right side elevational view of FIG. 1;

FIG. 6 is a top plan view of FIG. 1;

FIG. 7 is a bottom plan view of FIG. 1; and,

FIG. 8 is another perspective view of FIG. 1 where a shield of the electrical connector is opened.

1 Claim, 8 Drawing Sheets



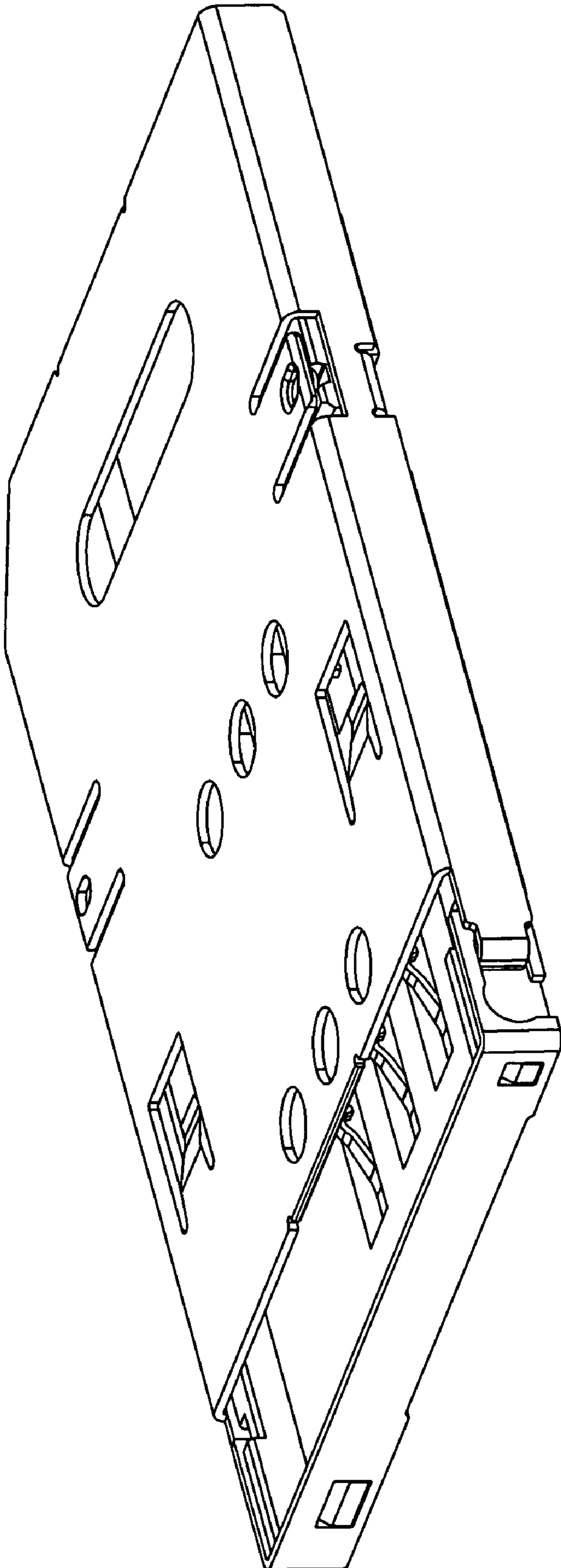


FIG. 1

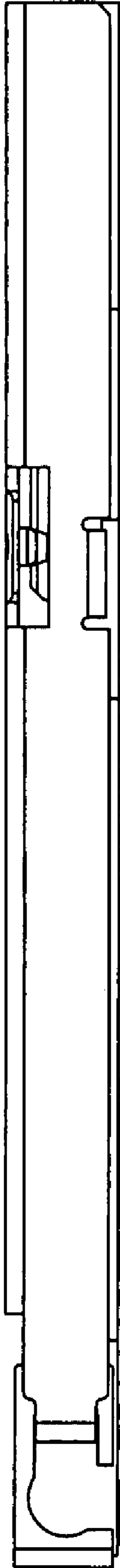


FIG. 2



FIG. 3

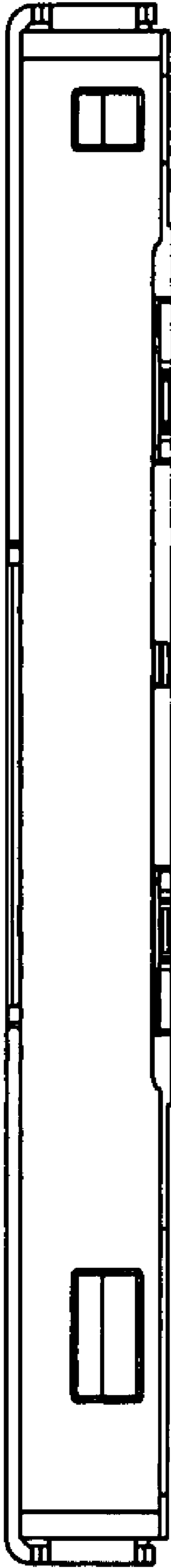


FIG. 4

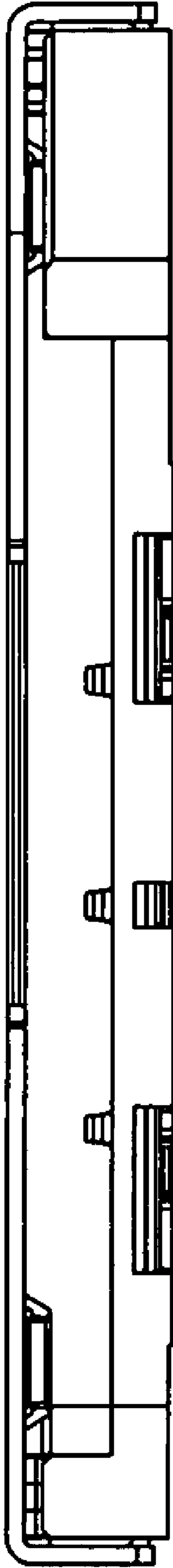


FIG. 5

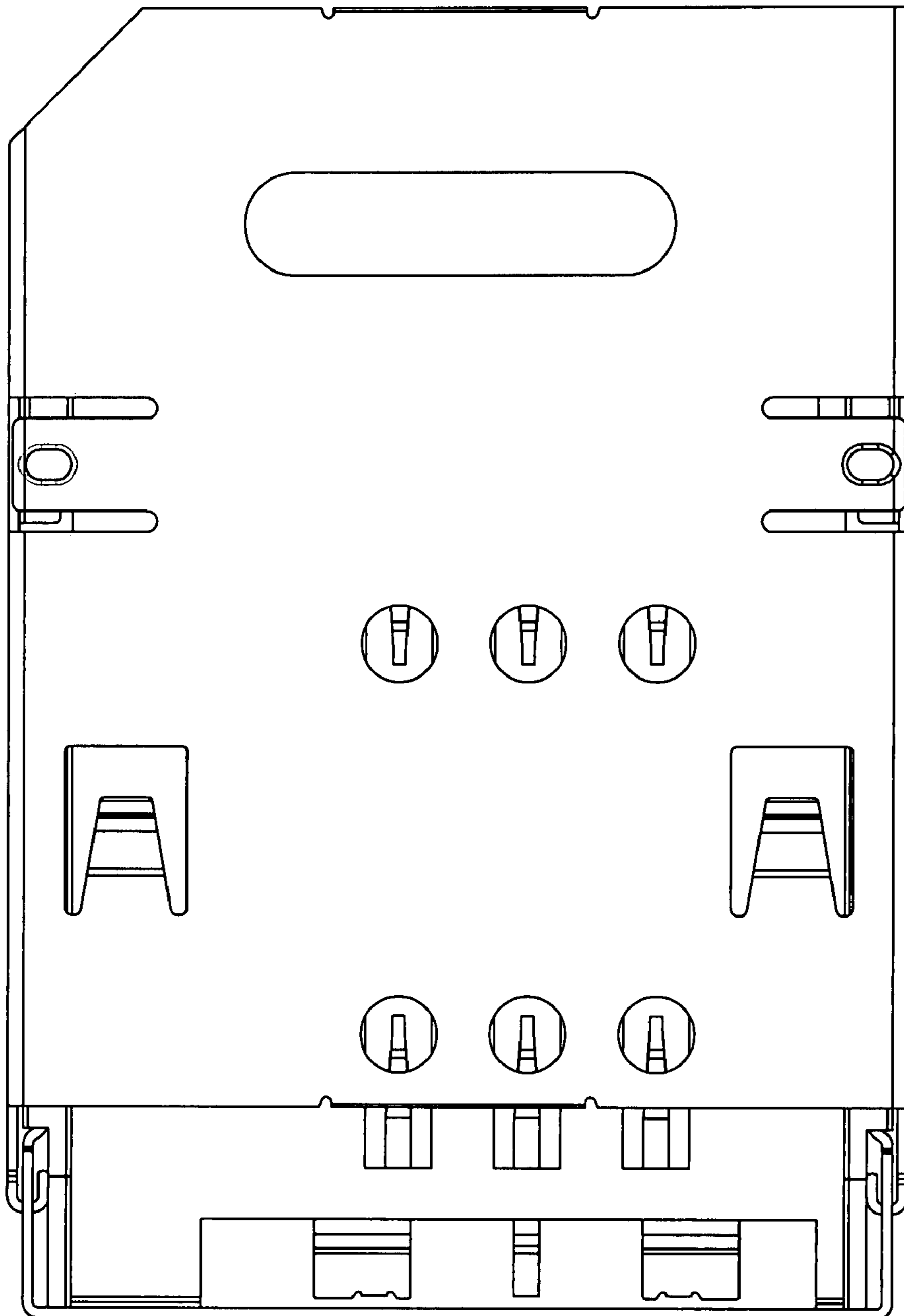


FIG. 6

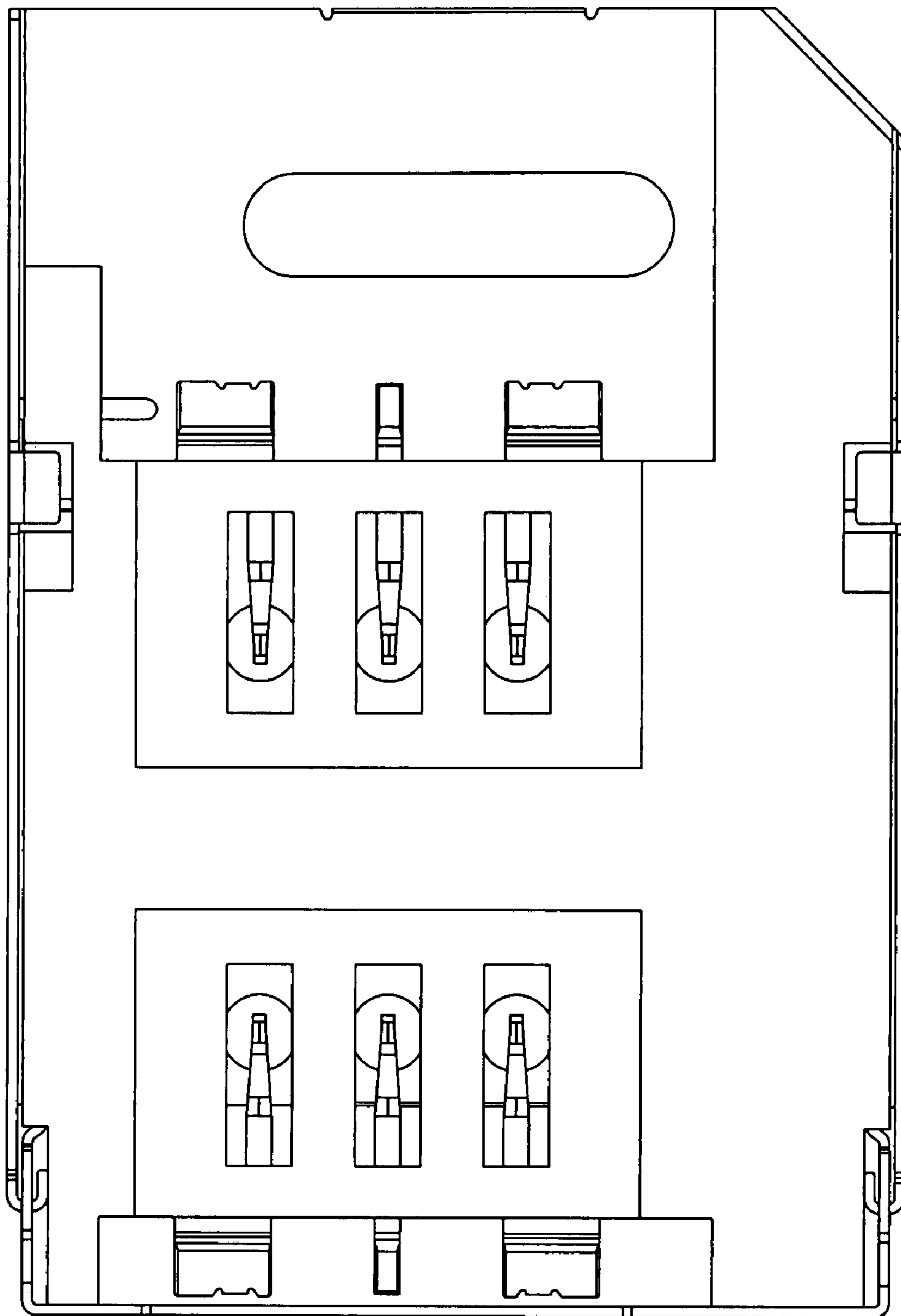


FIG. 7

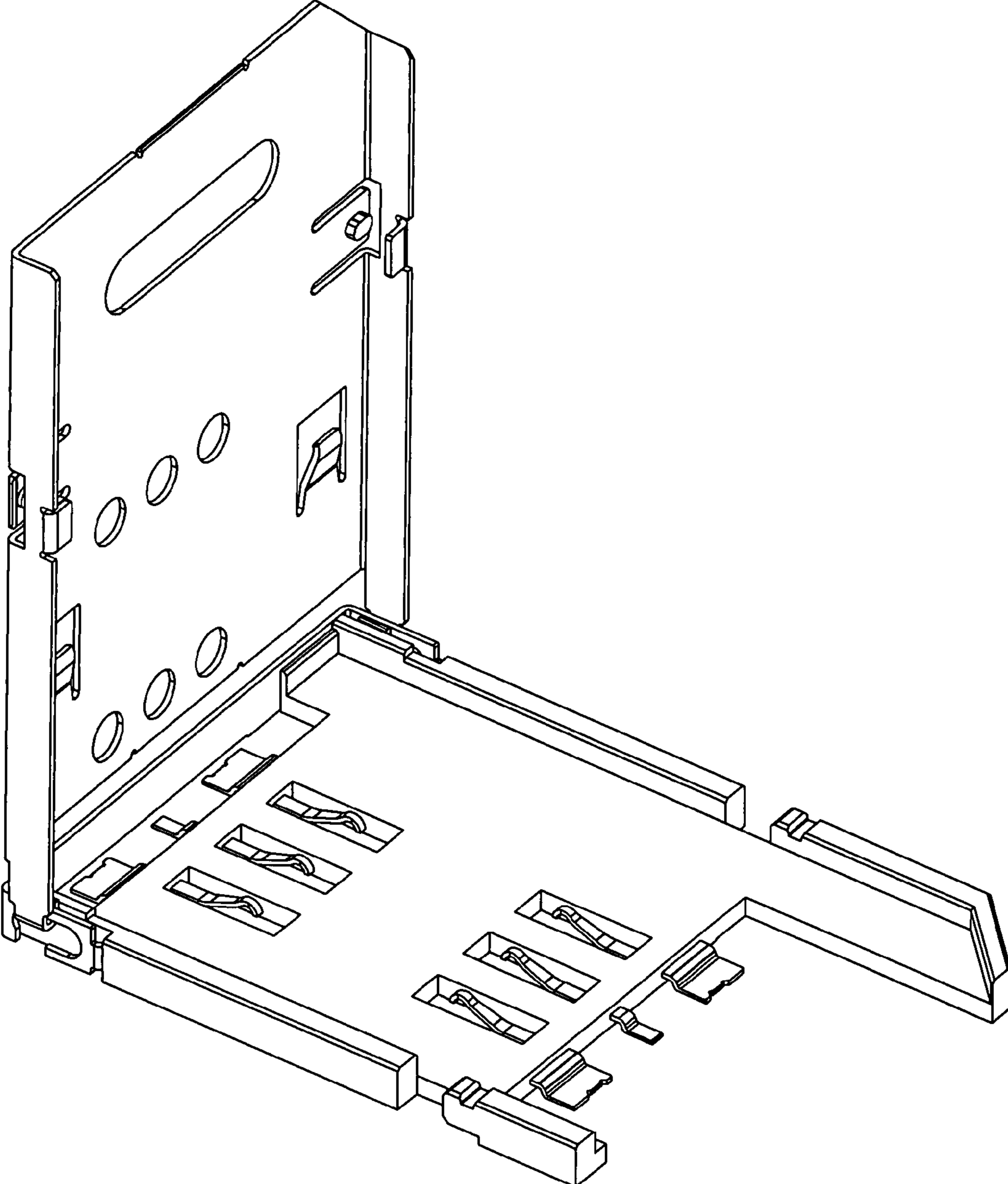


FIG. 8