



US00D571299S

(12) **United States Design Patent**
Wu

(10) **Patent No.:** **US D571,299 S**
(45) **Date of Patent:** **** Jun. 17, 2008**

(54) **ELECTRICAL CONNECTOR**

(75) Inventor: **Chun-Kung Wu**, Tu-cheng (TW)

(73) Assignee: **Hon Hai Precision Ind. Co., Ltd.**,
Taipei Hsien (TW)

(**) Term: **14 Years**

(21) Appl. No.: **29/289,164**

(22) Filed: **Jul. 9, 2007**

(30) **Foreign Application Priority Data**

Jan. 8, 2007 (CN) 096300124

(51) **LOC (8) Cl.** **13-03**

(52) **U.S. Cl.** **D13/147**

(58) **Field of Classification Search** D13/133,
D13/146, 147, 154, 184, 199; D14/432,
D14/435, 436; 439/71, 72, 73, 83, 330, 331,
439/607-610, 660, 680, 876, 946

See application file for complete search history.

(56) **References Cited**

U.S. PATENT DOCUMENTS

D538,747 S * 3/2007 Yang D13/147
D539,223 S * 3/2007 Nishio et al. D13/147
D539,224 S * 3/2007 Nishio et al. D13/147

D539,749 S * 4/2007 Yang D13/147
D540,260 S * 4/2007 Yang D13/147
2005/0239302 A1* 10/2005 Wada 439/71
2007/0232143 A1* 10/2007 Yang 439/607

* cited by examiner

Primary Examiner—Daniel D Bui

(74) *Attorney, Agent, or Firm*—Wei Te Chung

(57) **CLAIM**

The ornamental design for an electrical connector, as shown and described.

DESCRIPTION

FIG. 1 is a perspective view of an electrical connector showing my new design;

FIG. 2 is a front elevational view of FIG. 1;

FIG. 3 is a rear elevational view of FIG. 1;

FIG. 4 is a left side elevational view of FIG. 1;

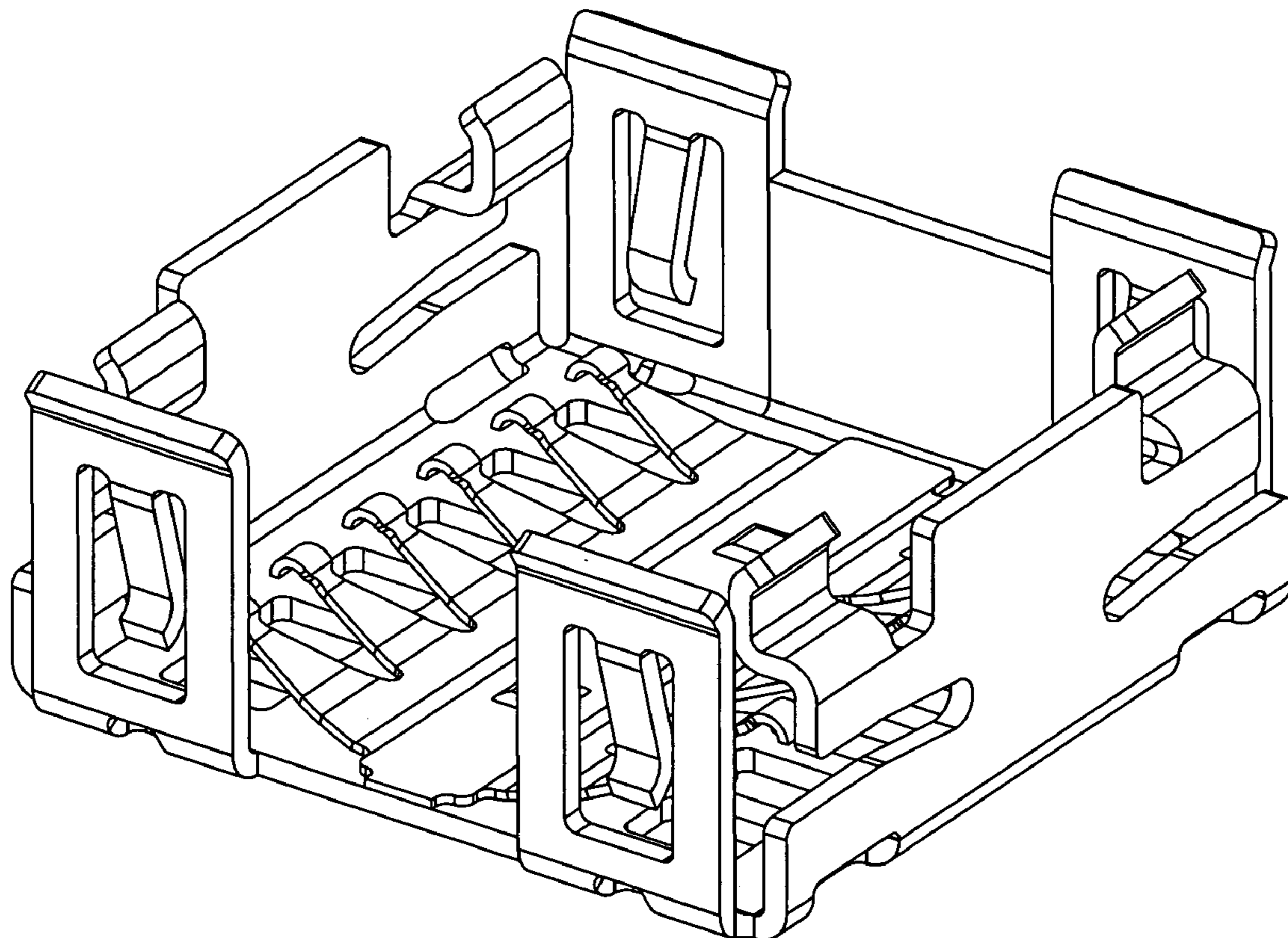
FIG. 5 is a right side elevational view of FIG. 1;

FIG. 6 is a top plan view of FIG. 1; and,

FIG. 7 is a bottom plan view of FIG. 1.

The broken line showing of the environment is for illustrative purposes only and forms no part of the claimed design.

1 Claim, 7 Drawing Sheets



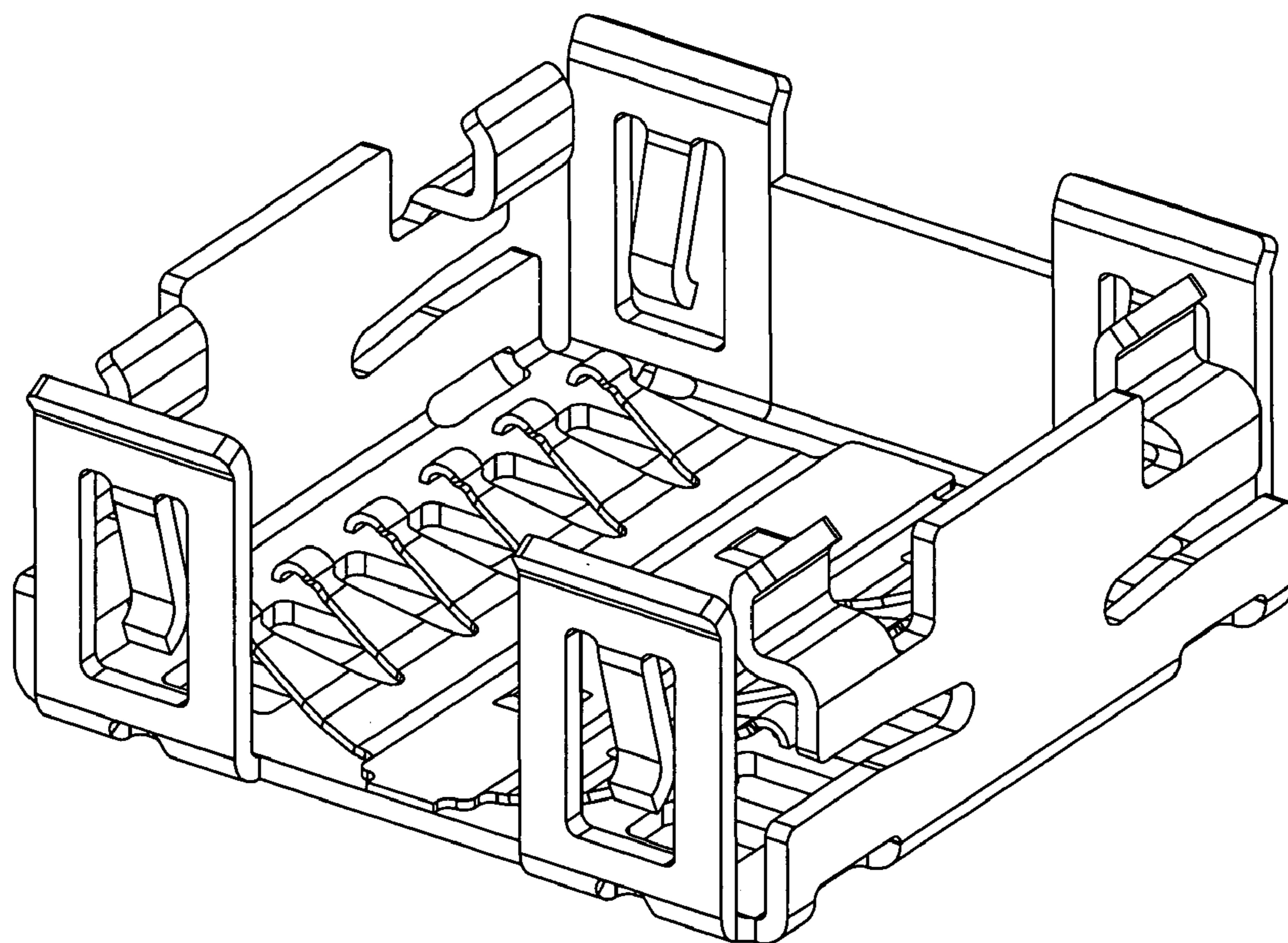


FIG. 1

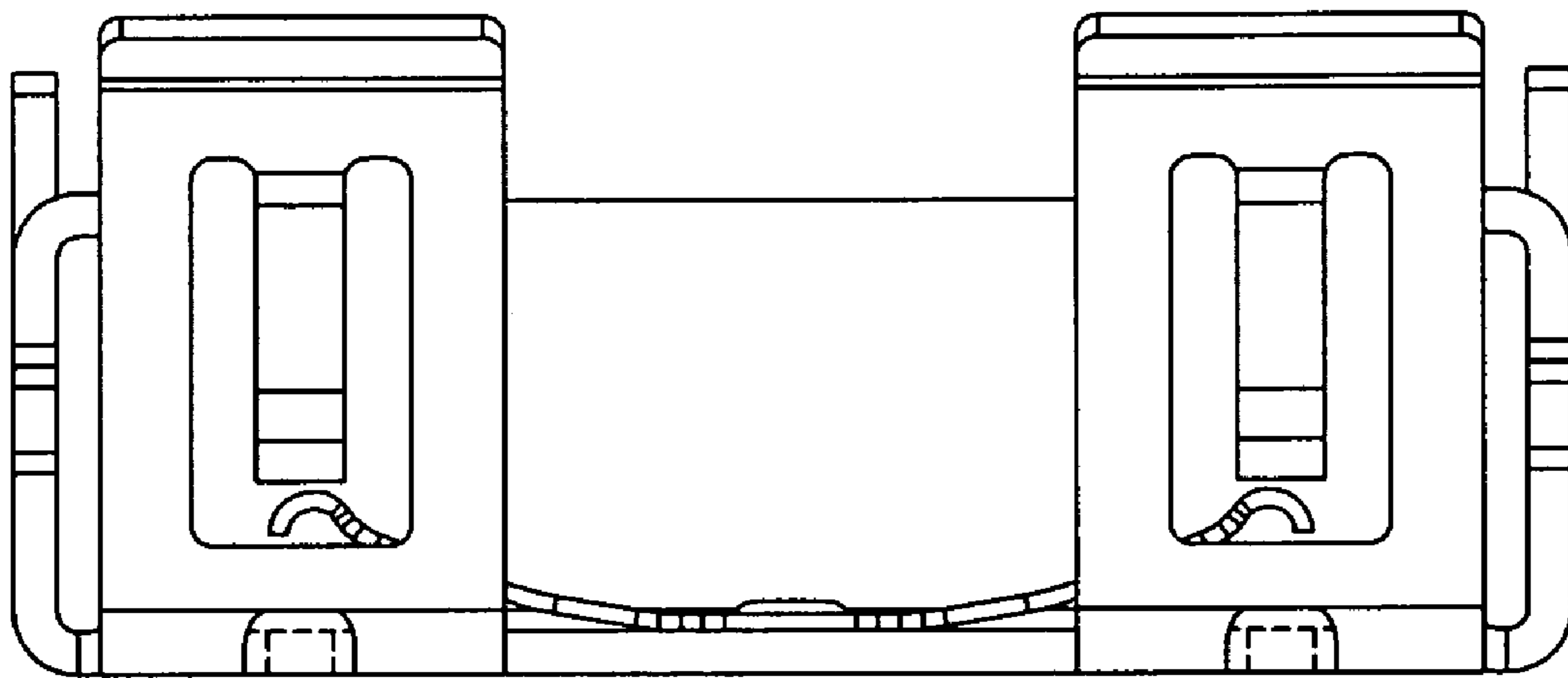


FIG. 2

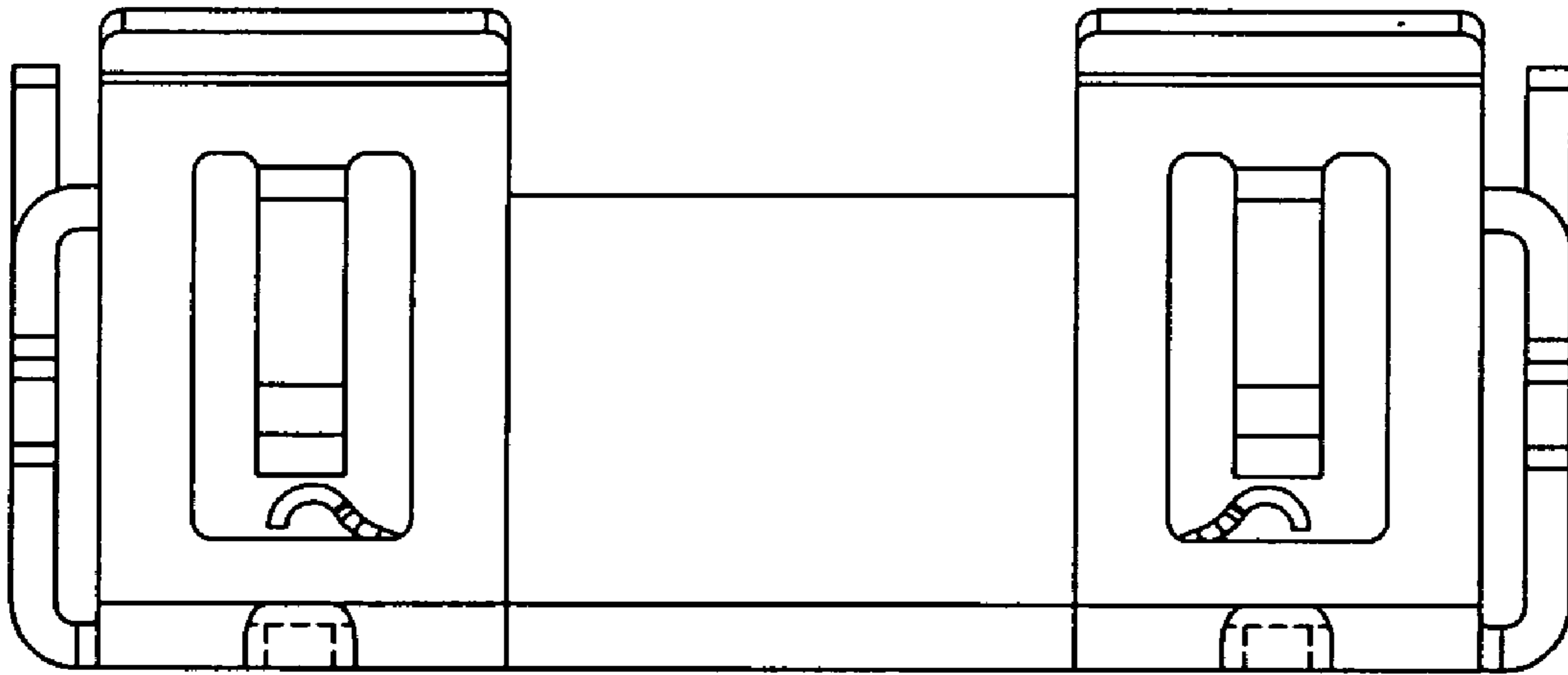


FIG. 3

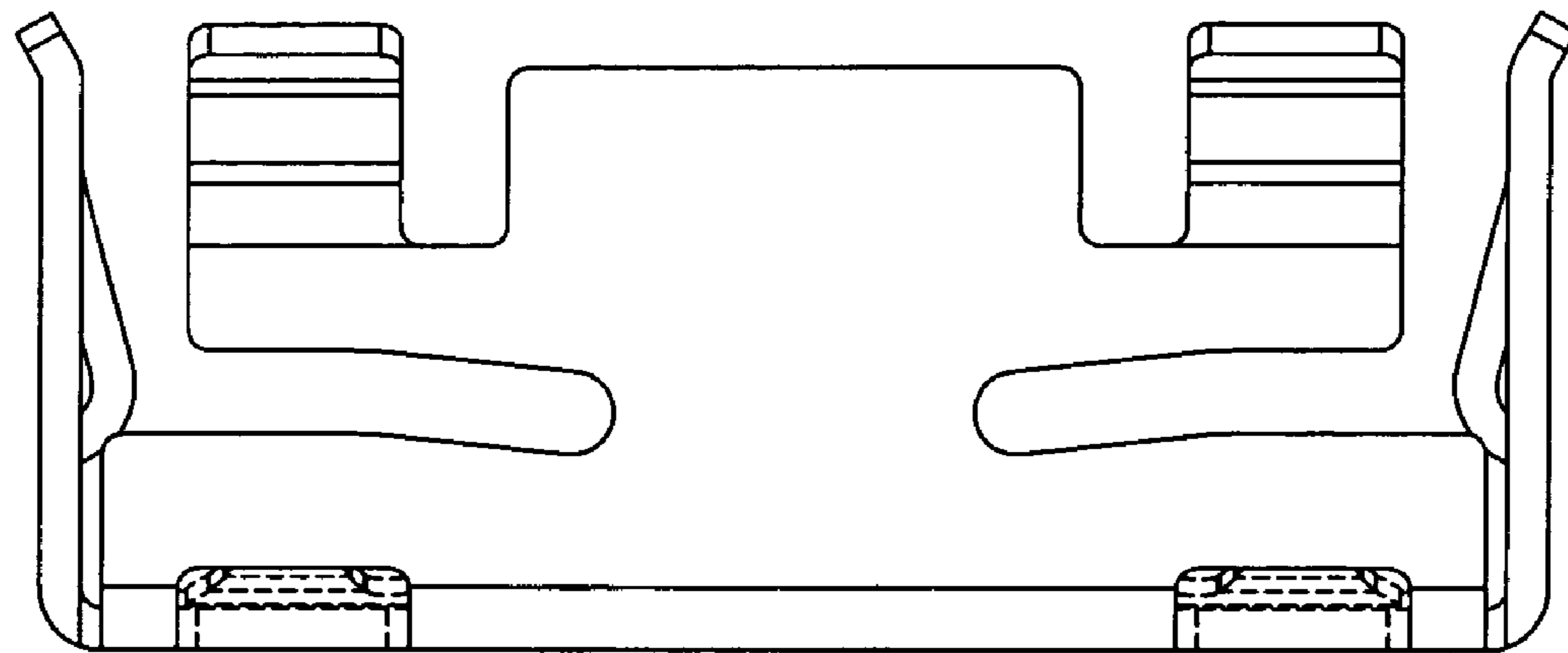


FIG. 4

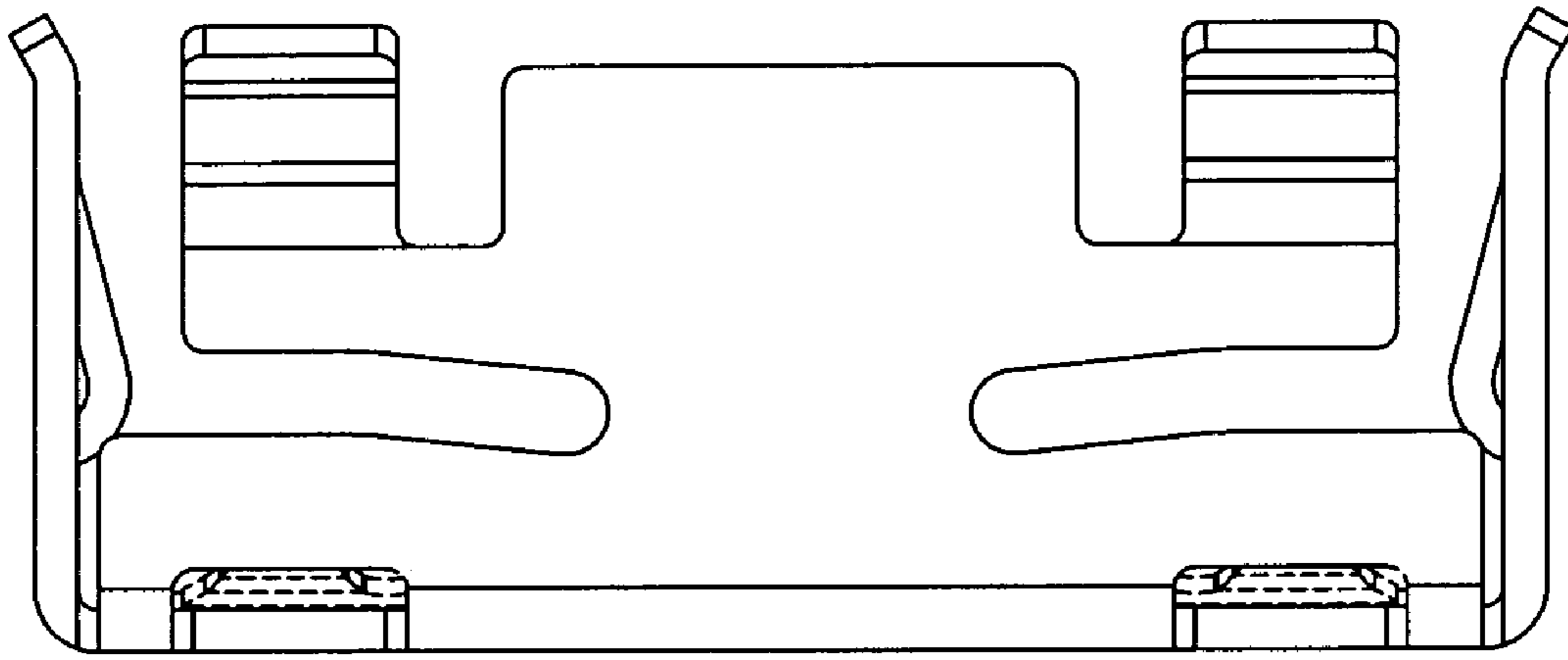


FIG. 5

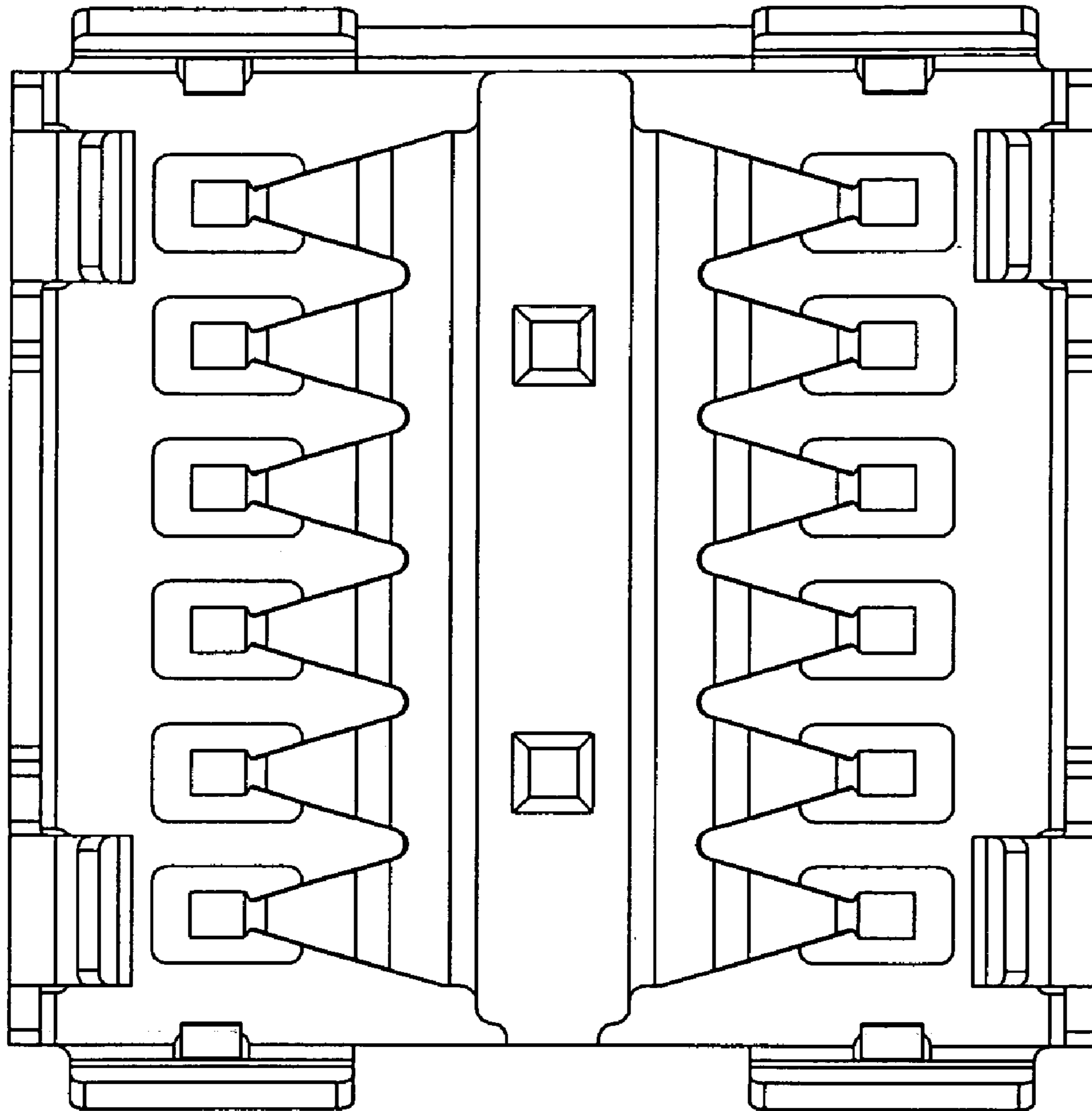


FIG. 6

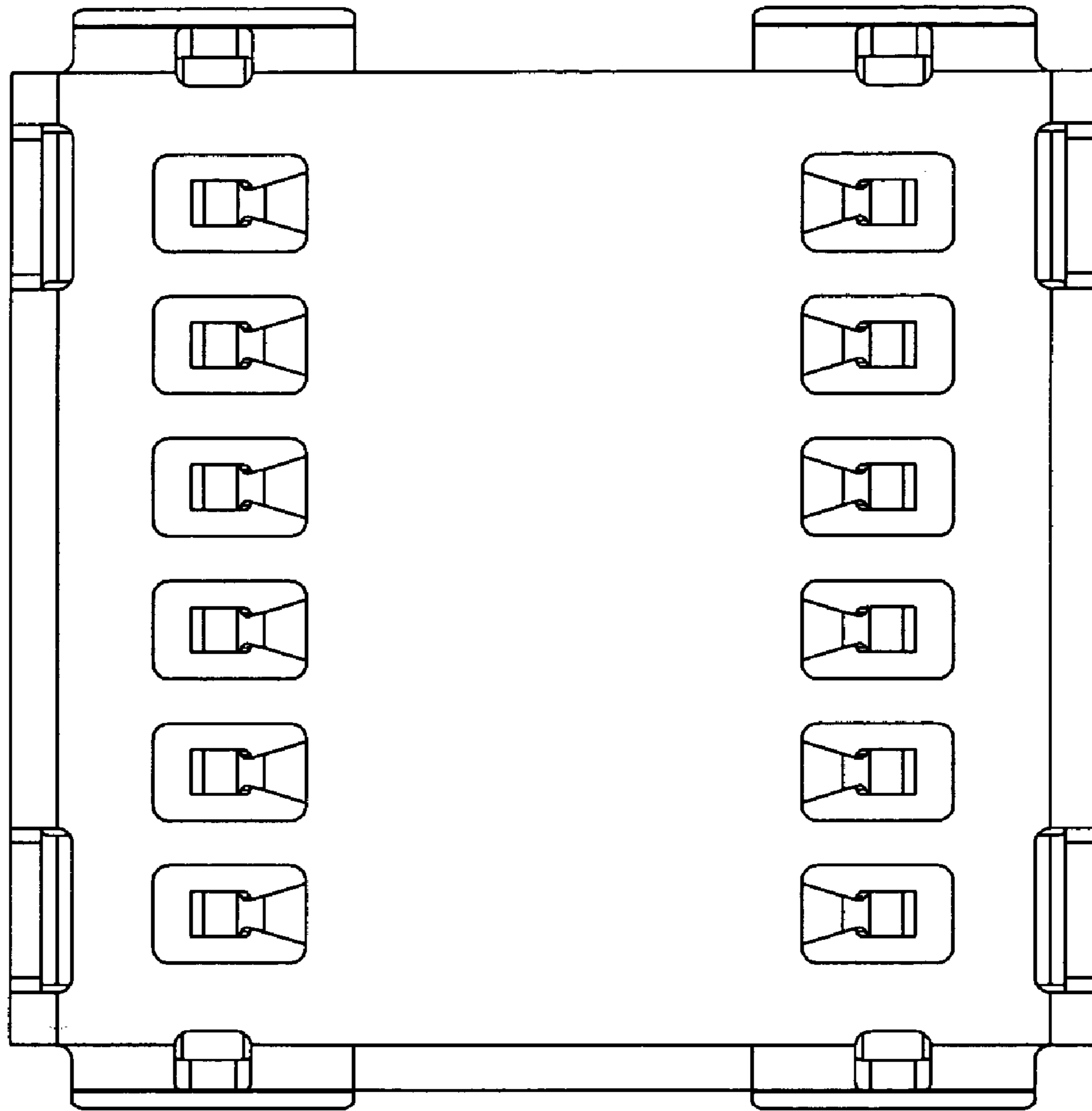


FIG. 7