



US00D571298S

(12) **United States Design Patent**  
**Hsiao**

(10) **Patent No.:** **US D571,298 S**  
(45) **Date of Patent:** **\*\* Jun. 17, 2008**

(54) **ELECTRICAL CARD CONNECTOR**

(75) Inventor: **Hsueh-Lung Hsiao, Tu-Cheng (TW)**

(73) Assignee: **Hon Hai Precision Ind. Co., Ltd.,  
Taipei Hsien (TW)**

(\*\*) Term: **14 Years**

(21) Appl. No.: **29/286,431**

(22) Filed: **May 4, 2007**

(30) **Foreign Application Priority Data**

Nov. 6, 2006 (TW) ..... 95306091

(51) **LOC (8) Cl.** ..... **13-03**

(52) **U.S. Cl.** ..... **D13/147**

(58) **Field of Classification Search** ..... D13/133,  
D13/146-147, 154, 184, 199; D14/432,  
D14/433, 435, 436, 438; 439/64, 79, 159-160,  
439/607-610, 629-631, 636, 660; 361/684-685  
See application file for complete search history.

(56) **References Cited**

**U.S. PATENT DOCUMENTS**

D470,148 S \* 2/2003 Nishio et al. .... D14/433  
6,609,936 B2 \* 8/2003 Bricaud et al. .... 439/630  
D488,444 S \* 4/2004 Motojima ..... D13/147  
6,905,369 B2 \* 6/2005 Nakai et al. .... 439/630

D523,860 S \* 6/2006 Xu et al. .... D14/436  
D528,986 S \* 9/2006 Su ..... D13/147  
D535,258 S \* 1/2007 Sasaki ..... D13/147  
D544,842 S \* 6/2007 Nishio et al. .... D13/147  
D547,727 S \* 7/2007 Sasaki ..... D13/147  
D559,255 S \* 1/2008 Nishio et al. .... D14/433

\* cited by examiner

*Primary Examiner*—Daniel D Bui

(74) *Attorney, Agent, or Firm*—Wei Te Chung

(57) **CLAIM**

The ornamental design for an electrical card connector, as shown and

**DESCRIPTION**

FIG. 1 is a front, top and right side perspective view of an electrical card connector showing my new design;

FIG. 2 is a front elevational view thereof;

FIG. 3 is a rear elevational view thereof;

FIG. 4 is a left side elevational view thereof;

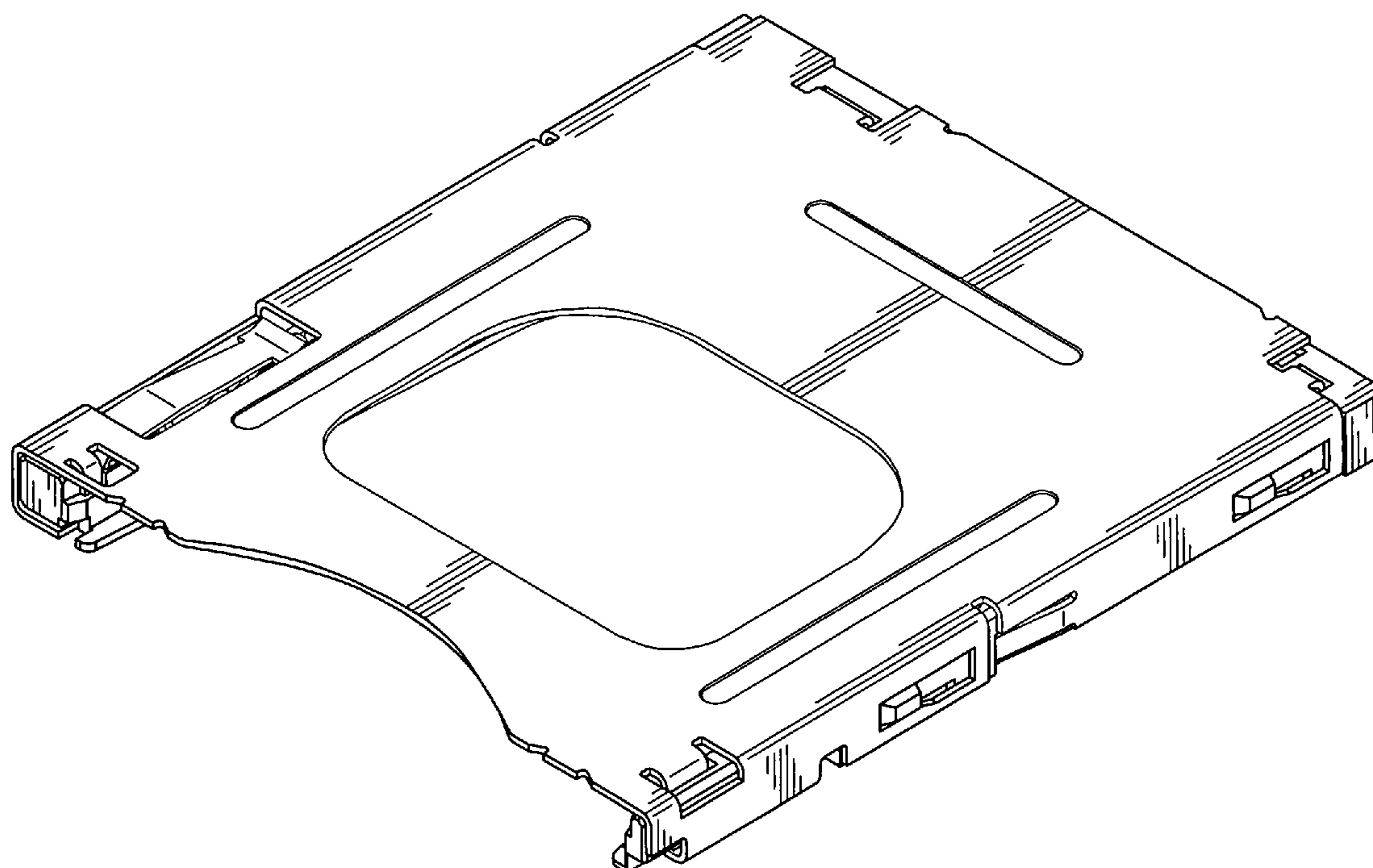
FIG. 5 is a right side elevational view thereof;

FIG. 6 is a top plan view thereof; and,

FIG. 7 is a bottom plan view thereof.

The broken line showing of the environment is for illustrative purposes only and forms no part of the claimed design.

**1 Claim, 7 Drawing Sheets**



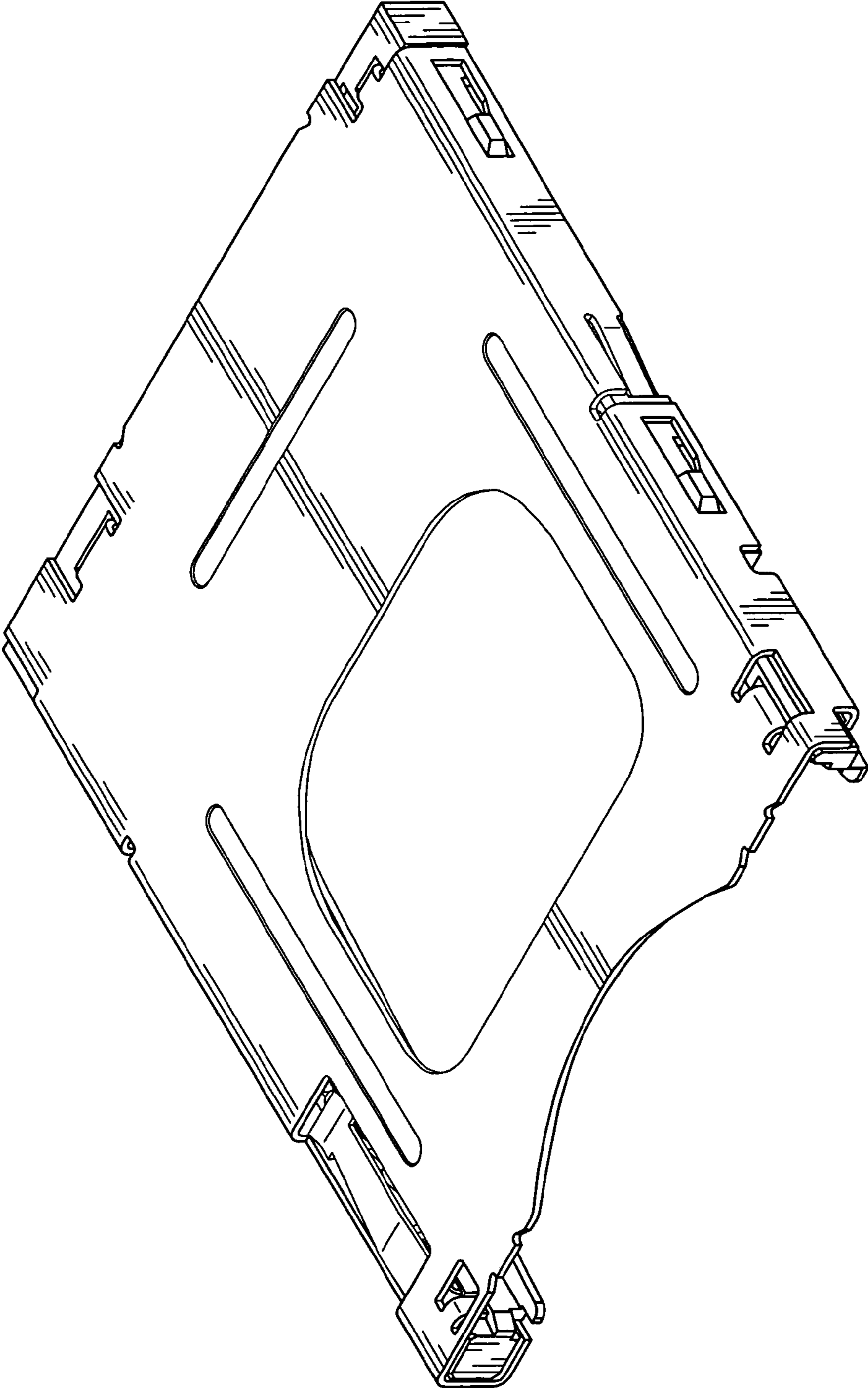


FIG. 1

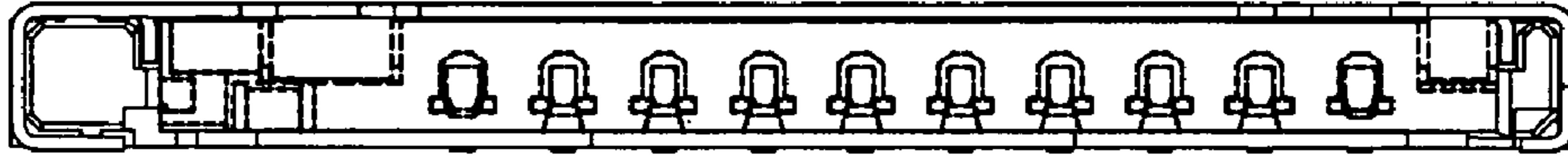


FIG. 2

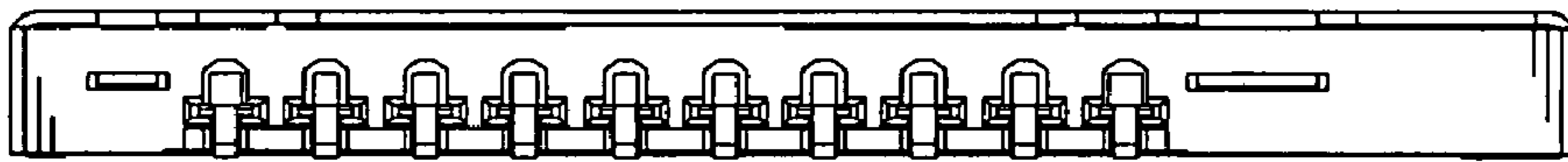


FIG. 3

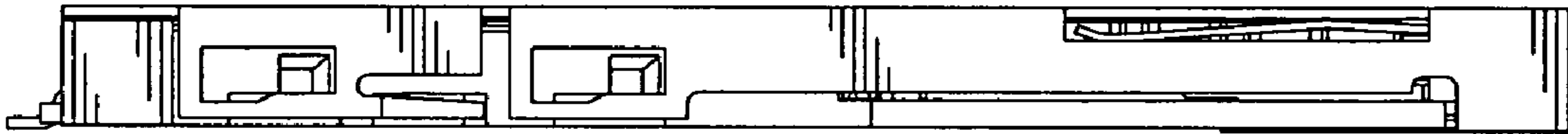


FIG. 4

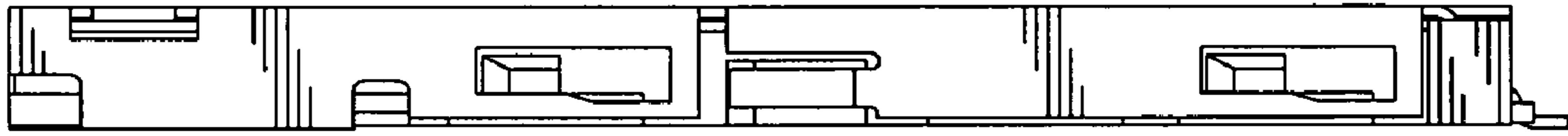


FIG. 5

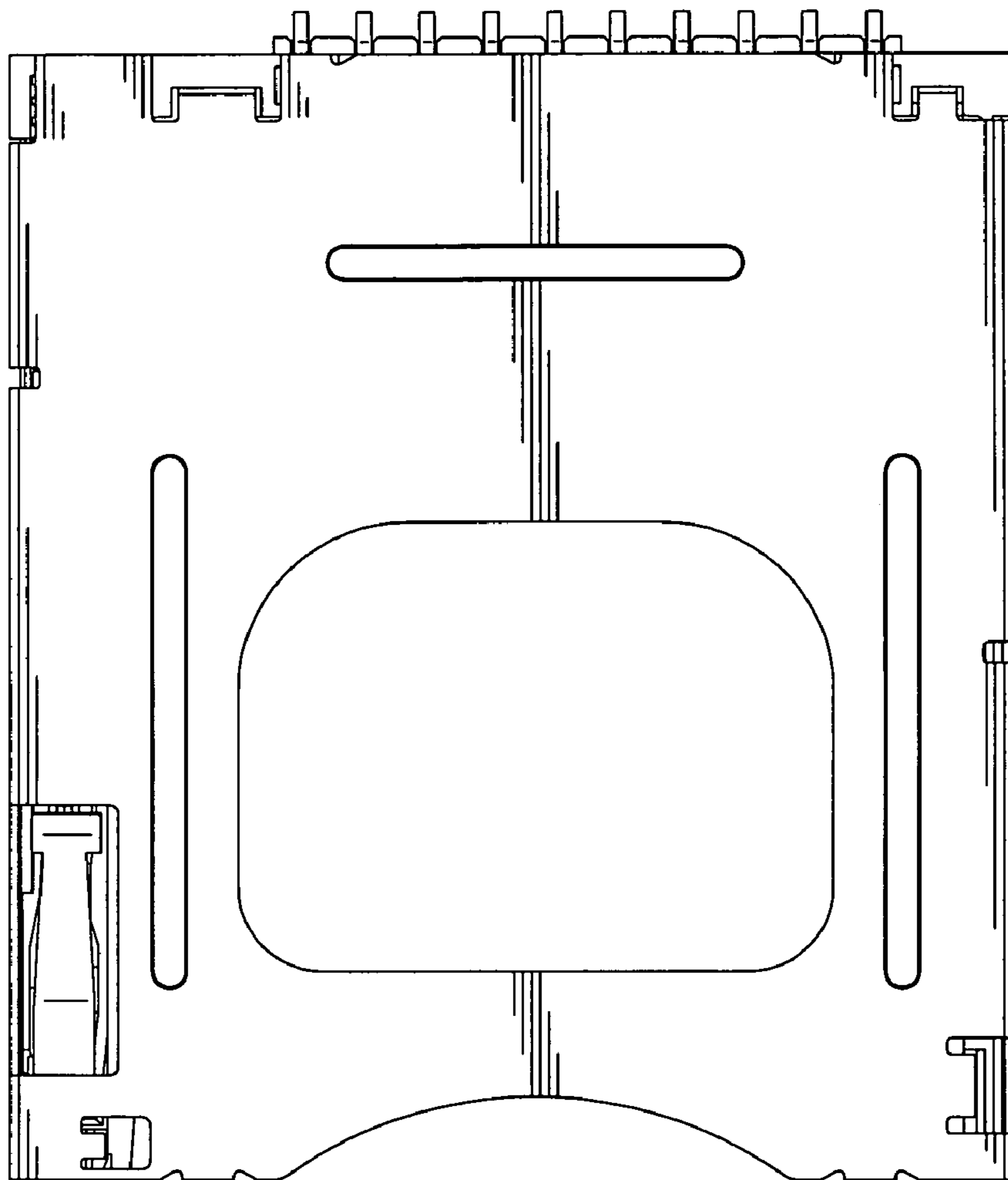


FIG. 6

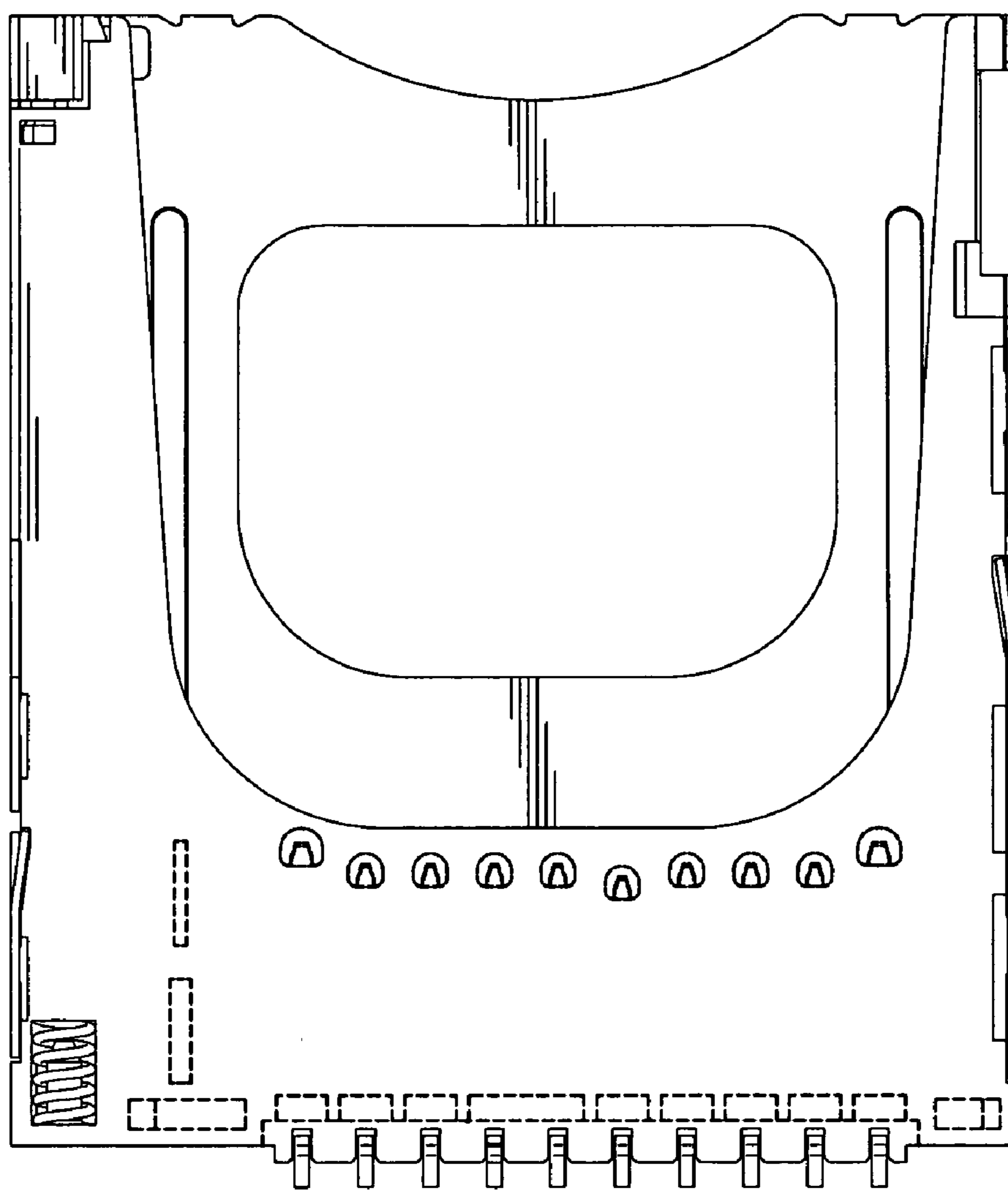


FIG. 7