

US00D571297S

(12) **United States Design Patent**
Nagata

(10) **Patent No.:** **US D571,297 S**
(45) **Date of Patent:** **** Jun. 17, 2008**

(54) **CONNECTOR**

(75) Inventor: **Takayuki Nagata, Yao (JP)**

(73) Assignee: **Hosiden Corporation, Yao-shi (JP)**

(**) Term: **14 Years**

(21) Appl. No.: **29/273,535**

(22) Filed: **Mar. 8, 2007**

(30) **Foreign Application Priority Data**

Sep. 12, 2006 (JP) 2006-024304

(51) **LOC (8) Cl.** **13-03**

(52) **U.S. Cl.** **D13/147**

(58) **Field of Classification Search** D13/133,
D13/146-147, 154, 184; D14/432-433,
D14/435-436, 438; 439/64, 79, 108, 260,
439/159-160, 325-326, 329, 394-395, 607-610,
439/629-630

See application file for complete search history.

(56) **References Cited**

U.S. PATENT DOCUMENTS

| | | | |
|-------------------|---------|----------------------|---------|
| D271,296 S * | 11/1983 | Jones et al. | D13/182 |
| D292,699 S * | 11/1987 | Vinal | D13/147 |
| D444,130 S * | 6/2001 | Hayashi et al. | D13/147 |
| D455,400 S * | 4/2002 | Hisatomi et al. | D13/147 |
| D495,997 S * | 9/2004 | Kuroki | D13/147 |
| D537,043 S * | 2/2007 | Nagata | D13/147 |
| D537,415 S * | 2/2007 | Nagata | D13/147 |
| 2006/0068624 A1 * | 3/2006 | Boeckel et al. | 439/159 |

* cited by examiner

Primary Examiner—Daniel Bui
(74) *Attorney, Agent, or Firm*—Kratz, Quintos & Hanson, LLP

(57) **CLAIM**

The ornamental design for a connector, as shown and described.

DESCRIPTION

FIG. 1 is a front elevation view of a connector showing my new design.

FIG. 2 is a back elevation view thereof;

FIG. 3 is a top plan view thereof;

FIG. 4 is a bottom plan view thereof;

FIG. 5 is a right side elevation view thereof, the left side elevation view being a mirror image thereof;

FIG. 6 is an enlarged cross-sectional view thereof, taken along line 6-6 of FIG. 4.

FIG. 7 is an enlarged cross-sectional view thereof, in use condition.

FIG. 8 is a partially enlarged view of area 8 of FIG. 4.

FIG. 9 is a top, front, and right side perspective view thereof, showing a state before connection to a mating connector; and,

FIG. 10 is a top, front, and right side perspective view thereof.

The broken line showing of the environment structures in FIGS. 7 and 9 is for illustration purposes only and form no part of the claimed design.

1 Claim, 10 Drawing Sheets

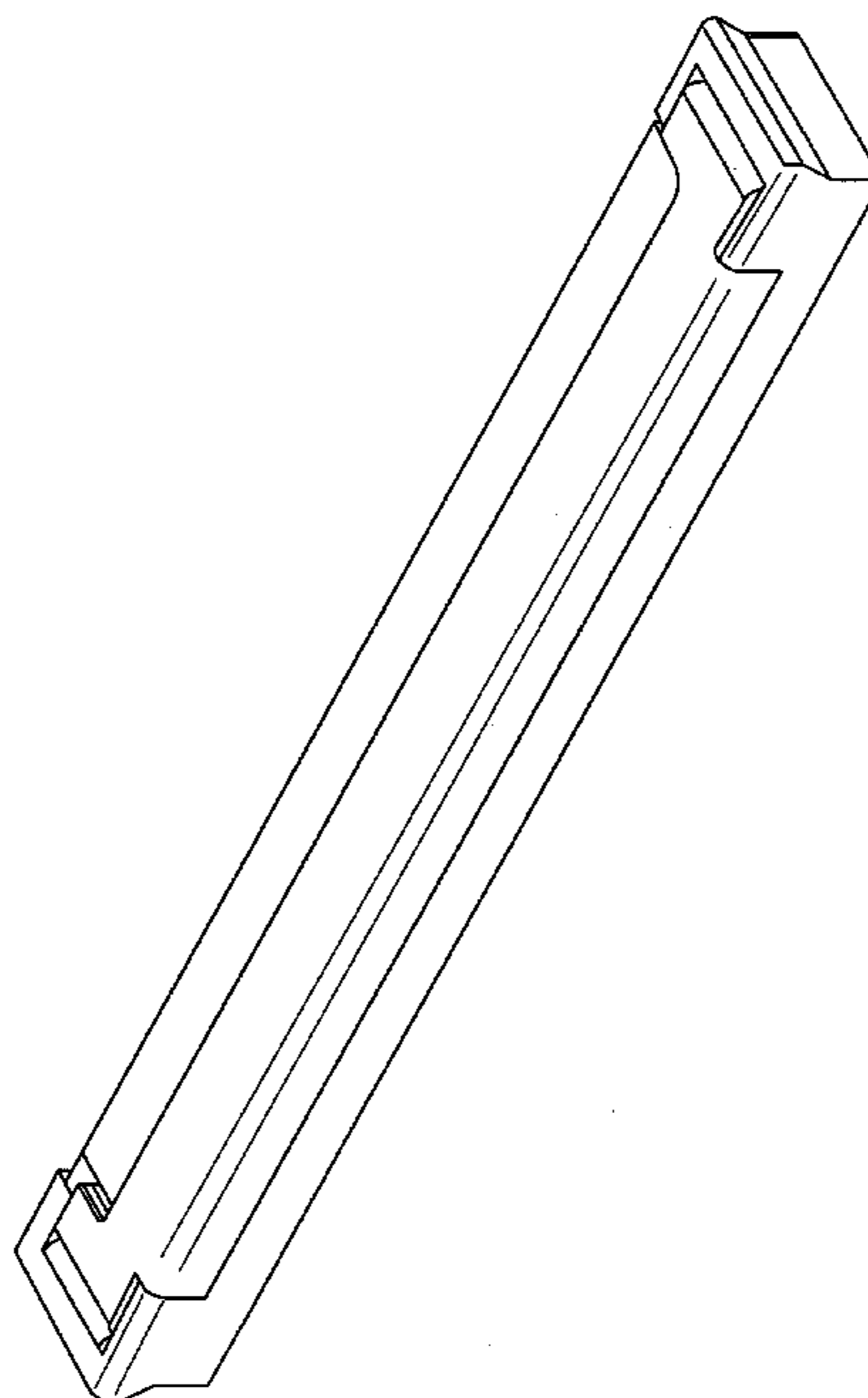


Fig. 1

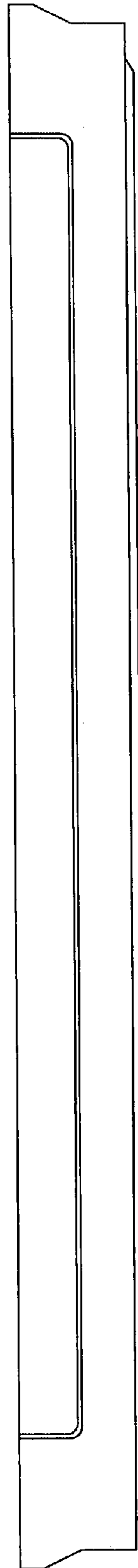


Fig. 2

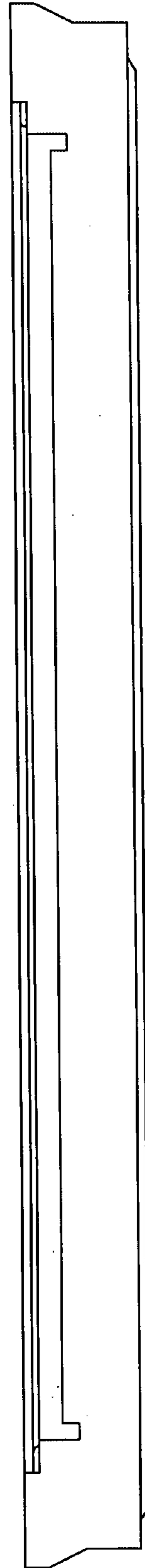


Fig. 3

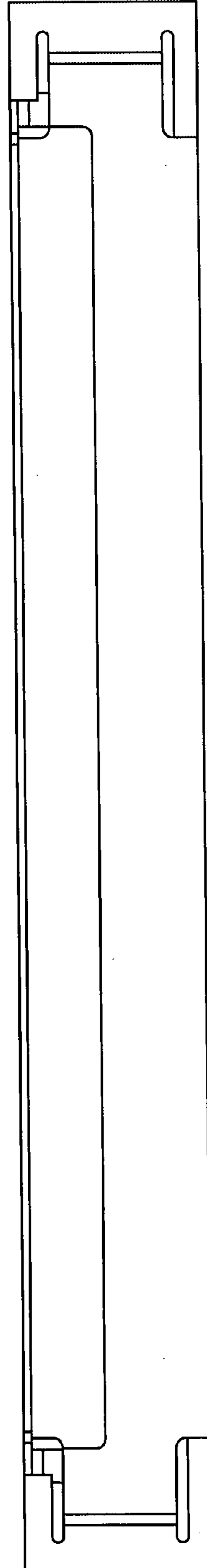


Fig. 4

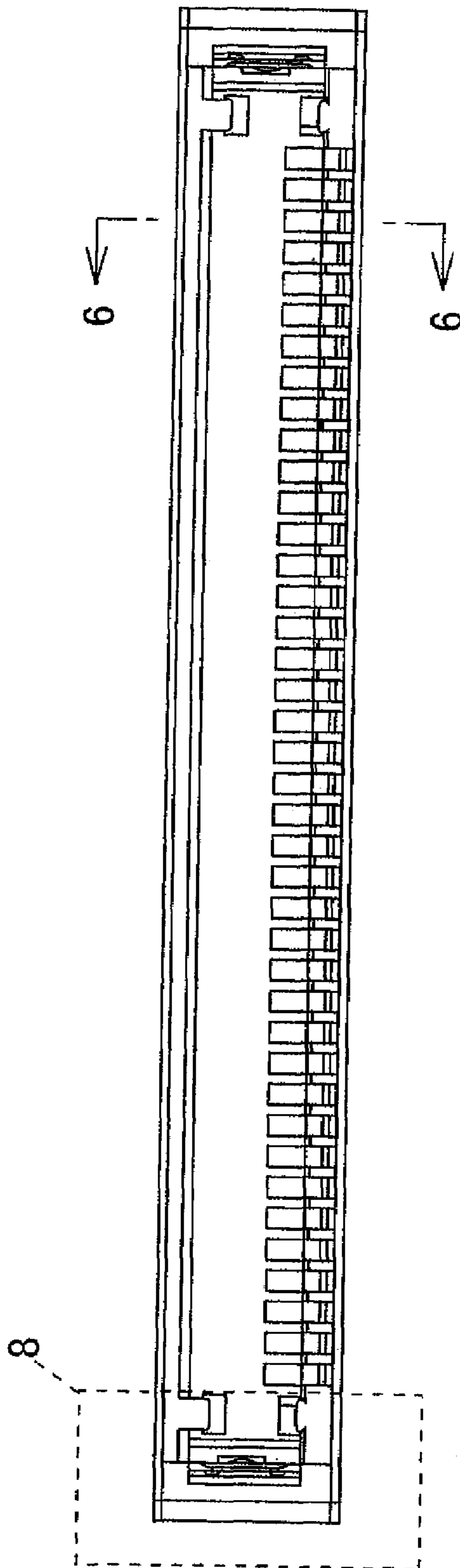


Fig. 5

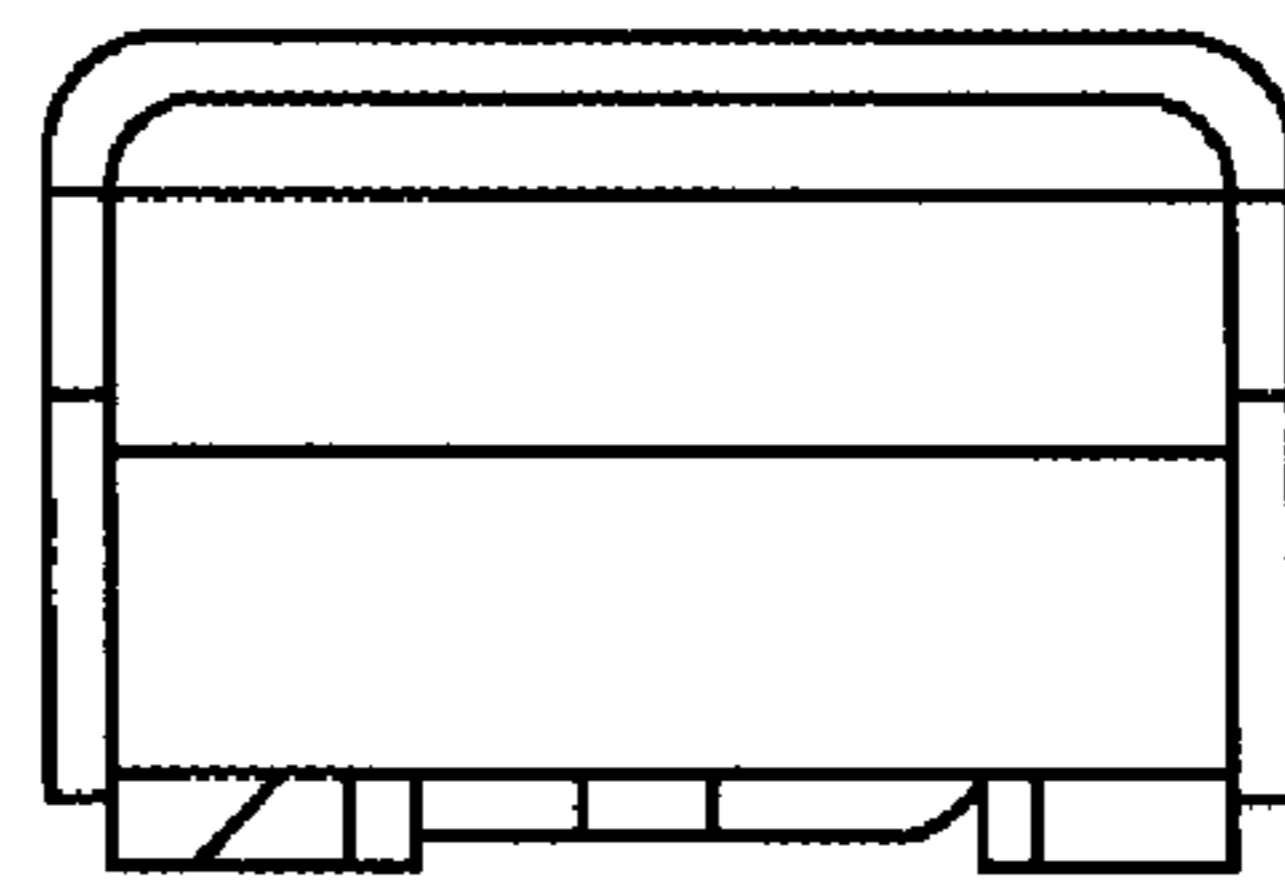


Fig. 6

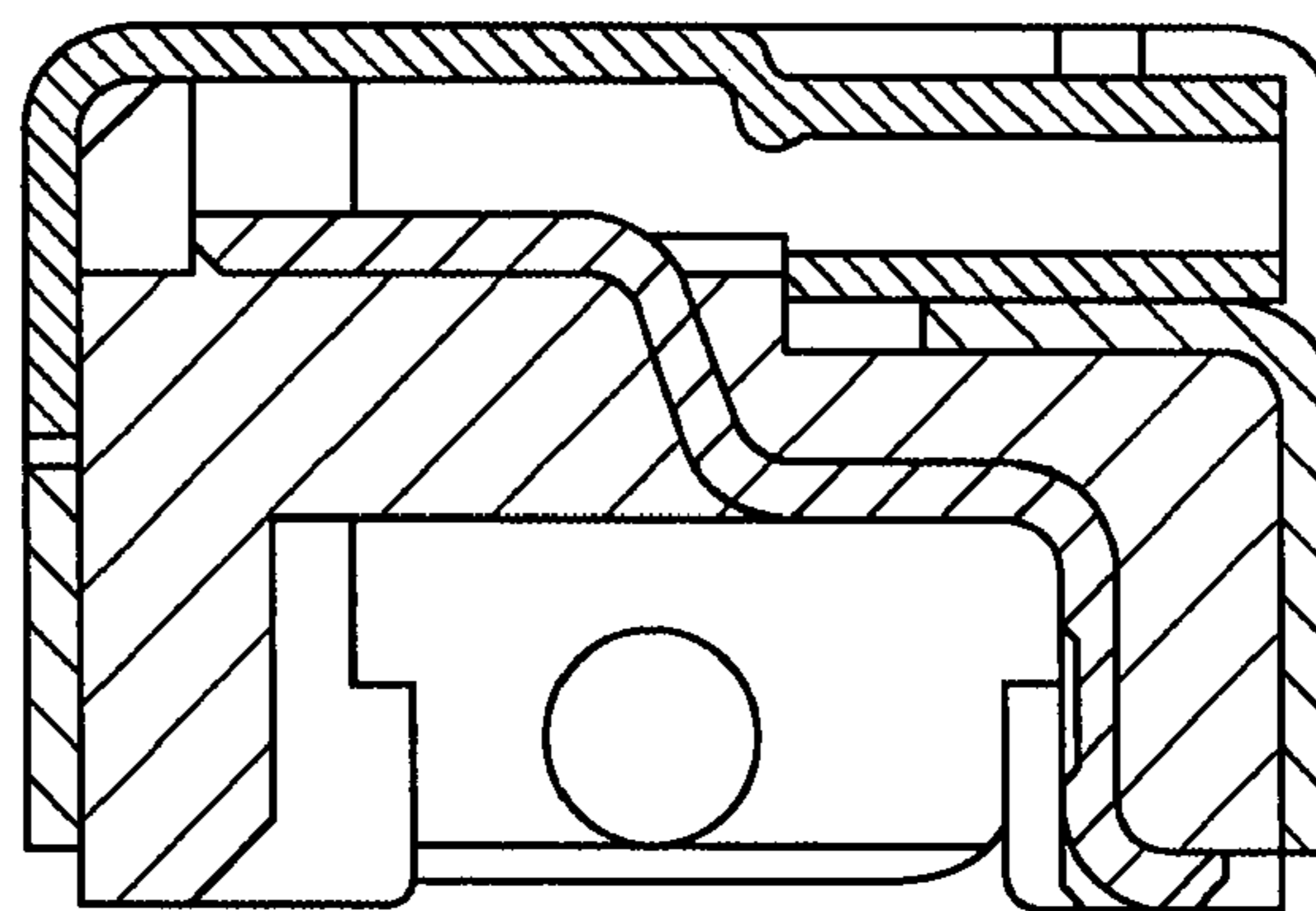


Fig. 7

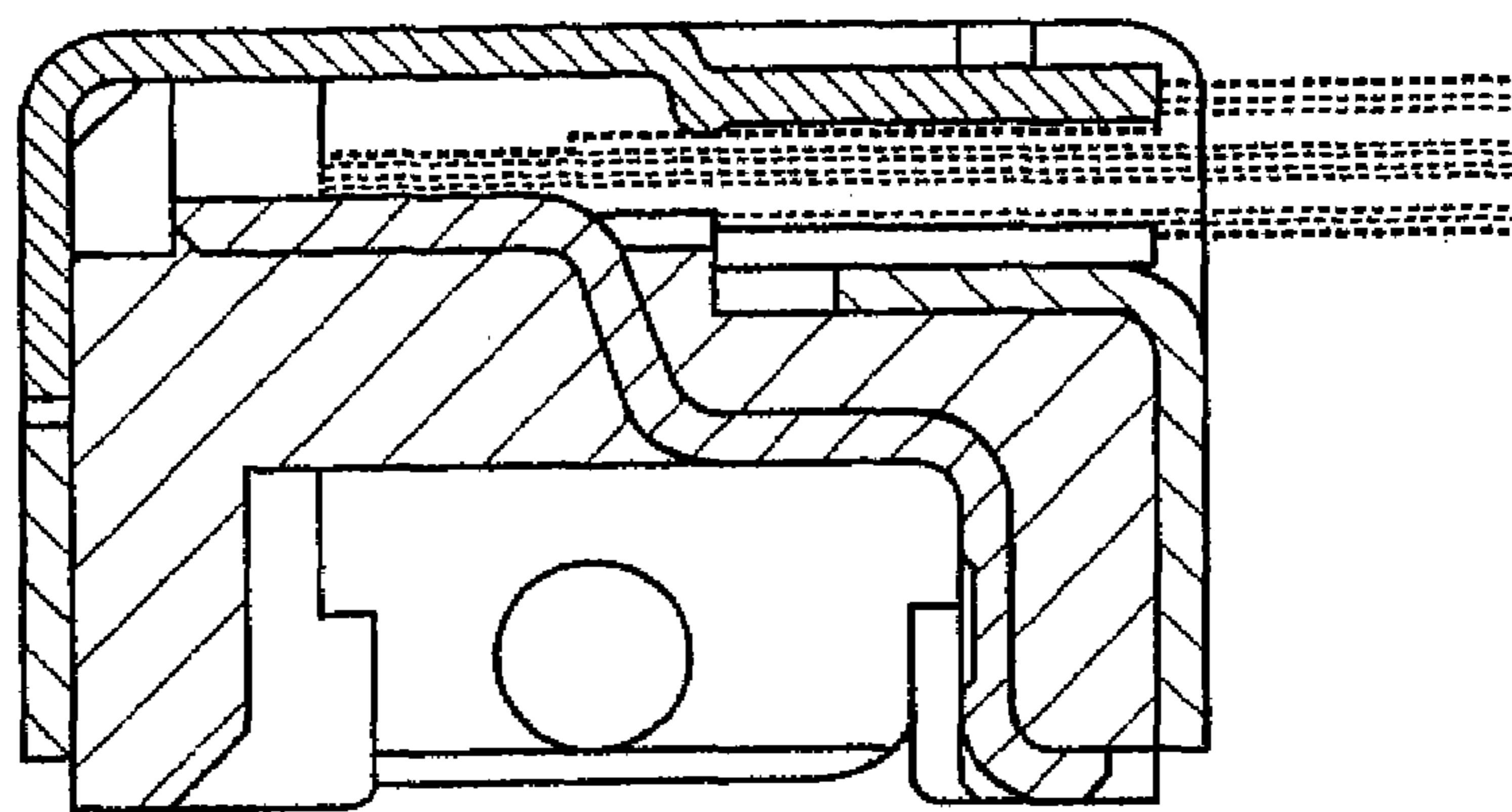


Fig. 8

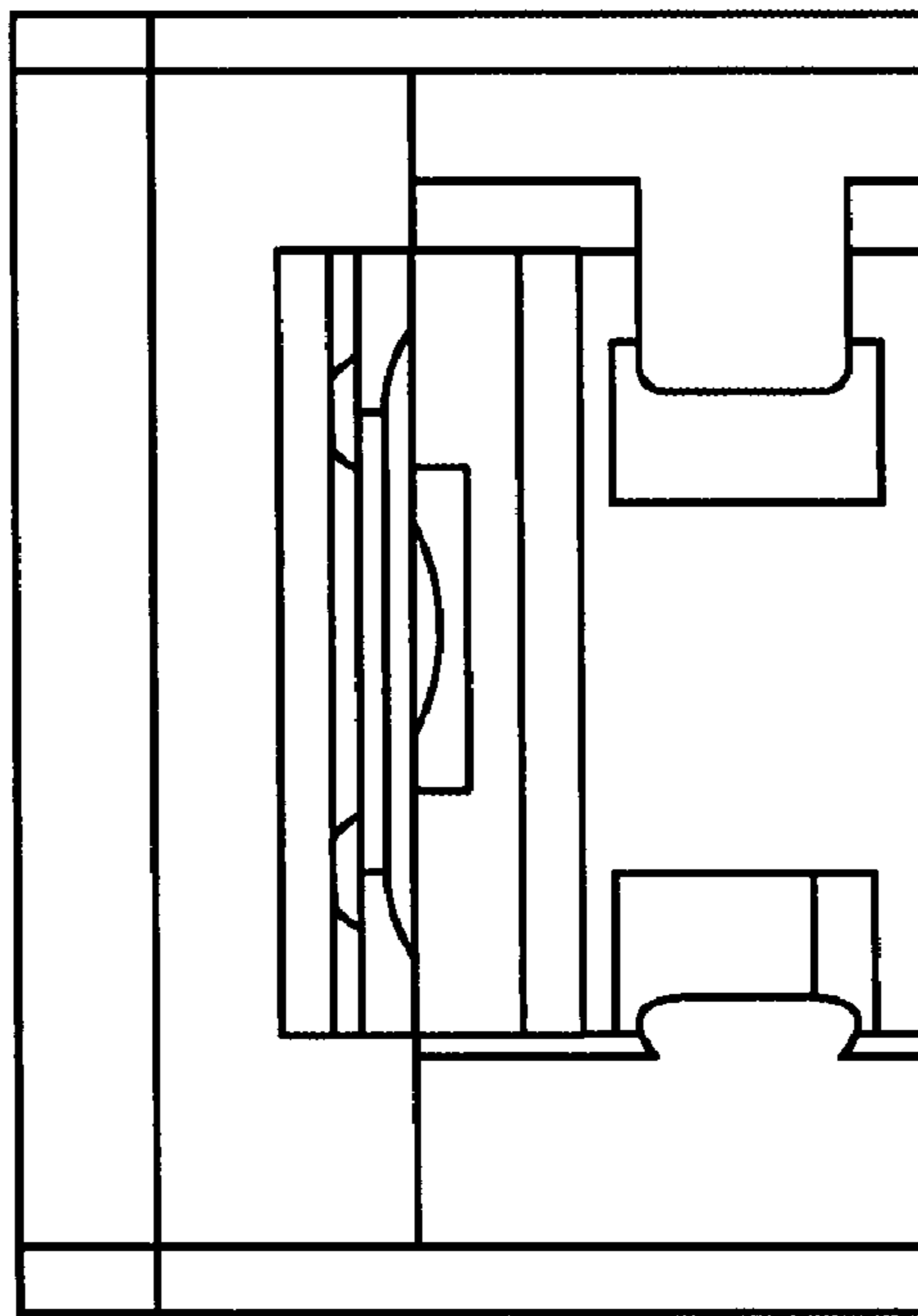


Fig. 9

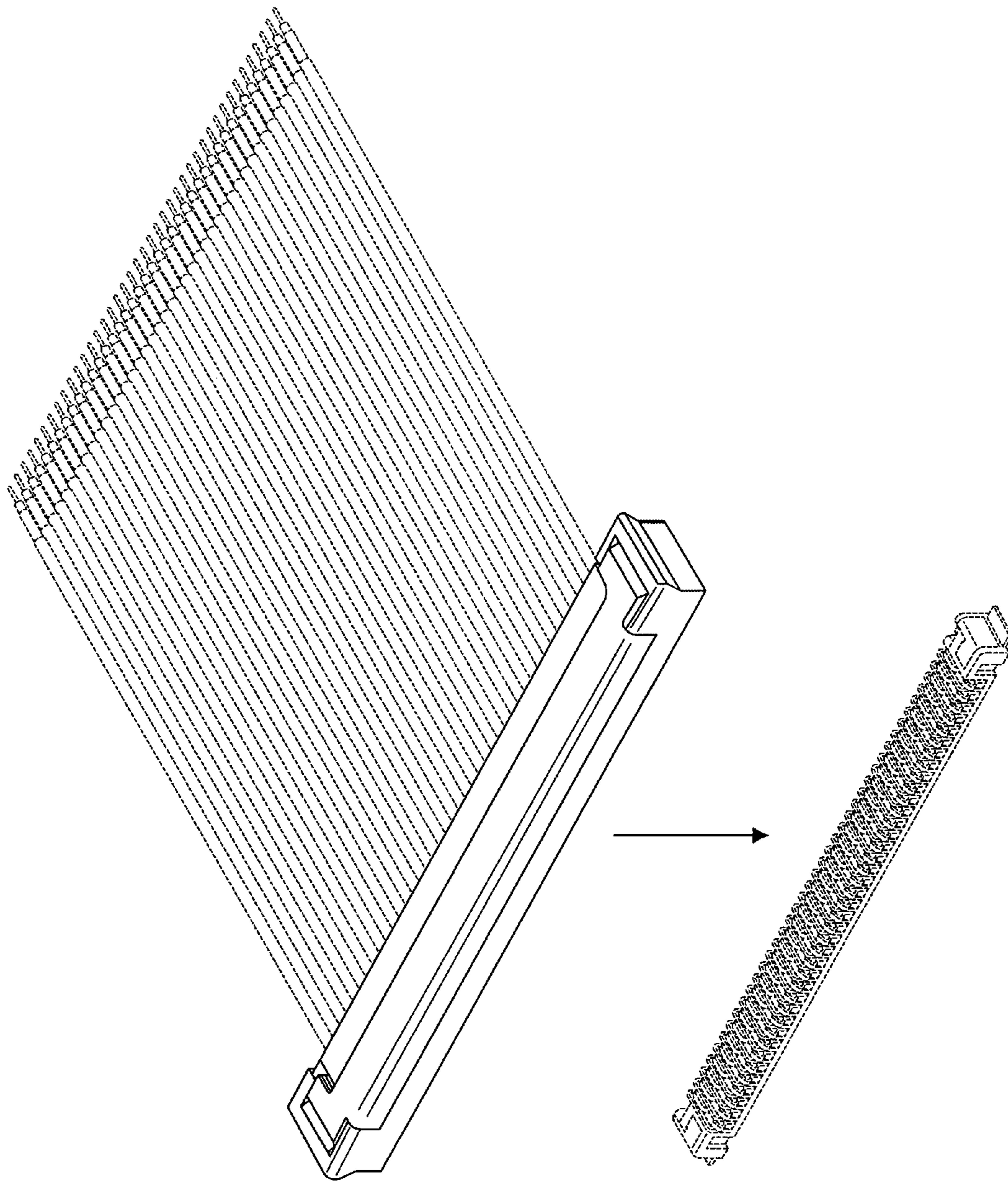


Fig. 10

