



US00D571296S

(12) **United States Design Patent**
Kuo et al.

(10) **Patent No.:** **US D571,296 S**
(45) **Date of Patent:** **** Jun. 17, 2008**

(54) **CABLE CONNECTOR ASSEMBLY**

(75) Inventors: **Peter Kuo**, Taipei (TW); **Bing Du**,
Kunshan (CN)

(73) Assignee: **Hon Hai Precision Ind. Co., Ltd.**,
Taipei Hsien (TW)

(**) Term: **14 Years**

(21) Appl. No.: **29/238,162**

(22) Filed: **Sep. 12, 2005**

(30) **Foreign Application Priority Data**

May 31, 2005 (CN) 2005 3 0084291

(51) **LOC (8) Cl.** **13-03**

(52) **U.S. Cl.** **D13/147**

(58) **Field of Classification Search** D13/133,
D13/146-147, 153-154, 184, 199; 439/502,
439/505, 540.1, 541.5, 623, 638

See application file for complete search history.

(56) **References Cited**

U.S. PATENT DOCUMENTS

D363,700 S * 10/1995 Buongervino et al. D13/147
5,547,399 A * 8/1996 Naghi et al. 439/623
D416,543 S * 11/1999 Tsai D13/153

D449,275 S * 10/2001 Goto D13/147
D473,848 S * 4/2003 Zheng et al. D13/147
D509,477 S * 9/2005 Terao D13/153
D525,199 S * 7/2006 Lin D13/133

* cited by examiner

Primary Examiner—Daniel Bui

(74) *Attorney, Agent, or Firm*—Wei Te Chung

(57) **CLAIM**

The ornamental design for a cable connector assembly, as shown and described.

DESCRIPTION

FIG. 1 is a front, top and right side perspective view of a cable connector assembly, showing our new design;

FIG. 2 is a front elevation view thereof;

FIG. 3 is a rear elevation view thereof;

FIG. 4 is a left side elevation view thereof;

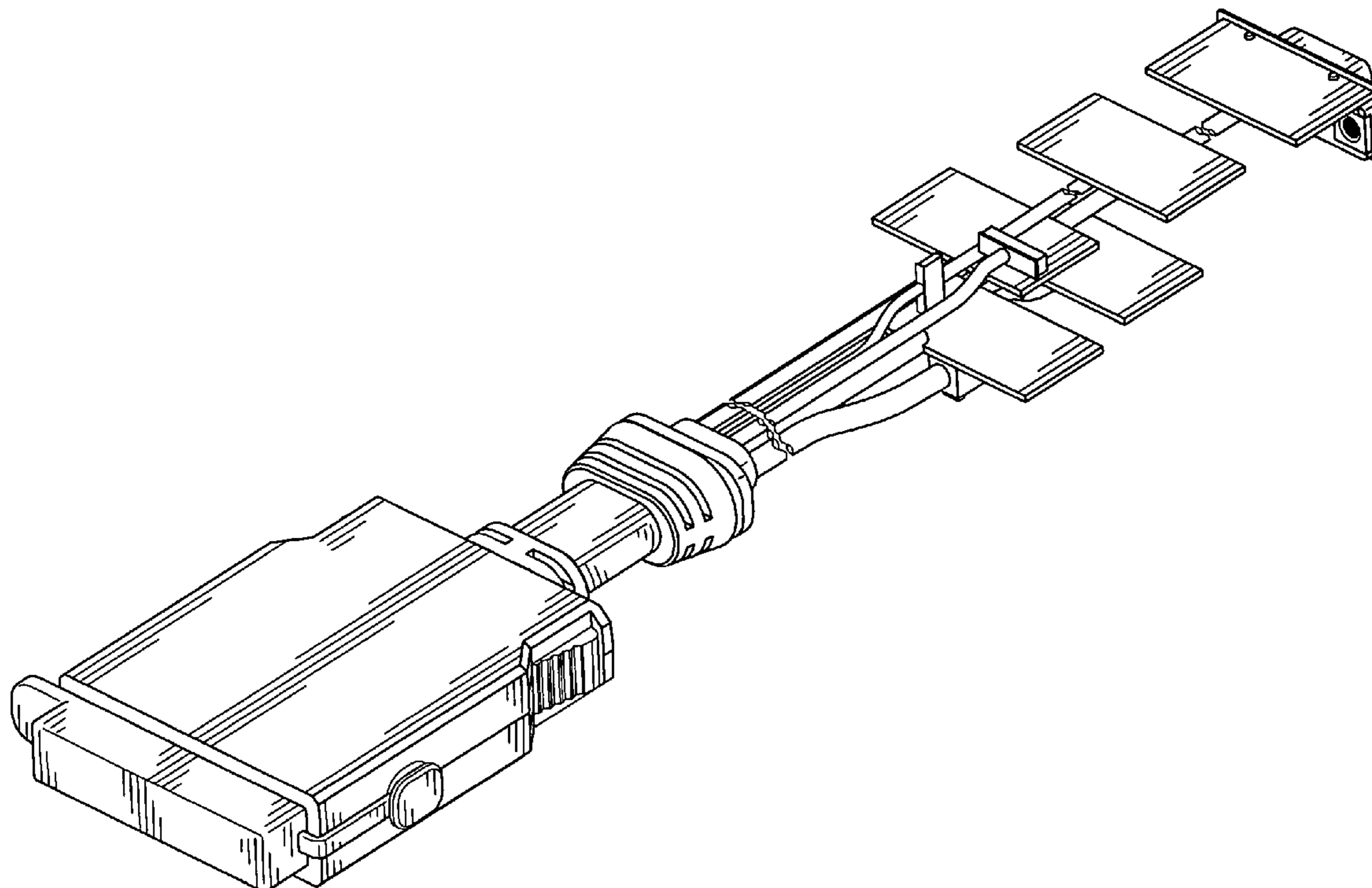
FIG. 5 is a right side elevation view thereof;

FIG. 6 is a top plan view thereof;

FIG. 7 is a bottom plan view thereof; and,

FIG. 8 is a rear, bottom and right side perspective view thereof.

1 Claim, 7 Drawing Sheets



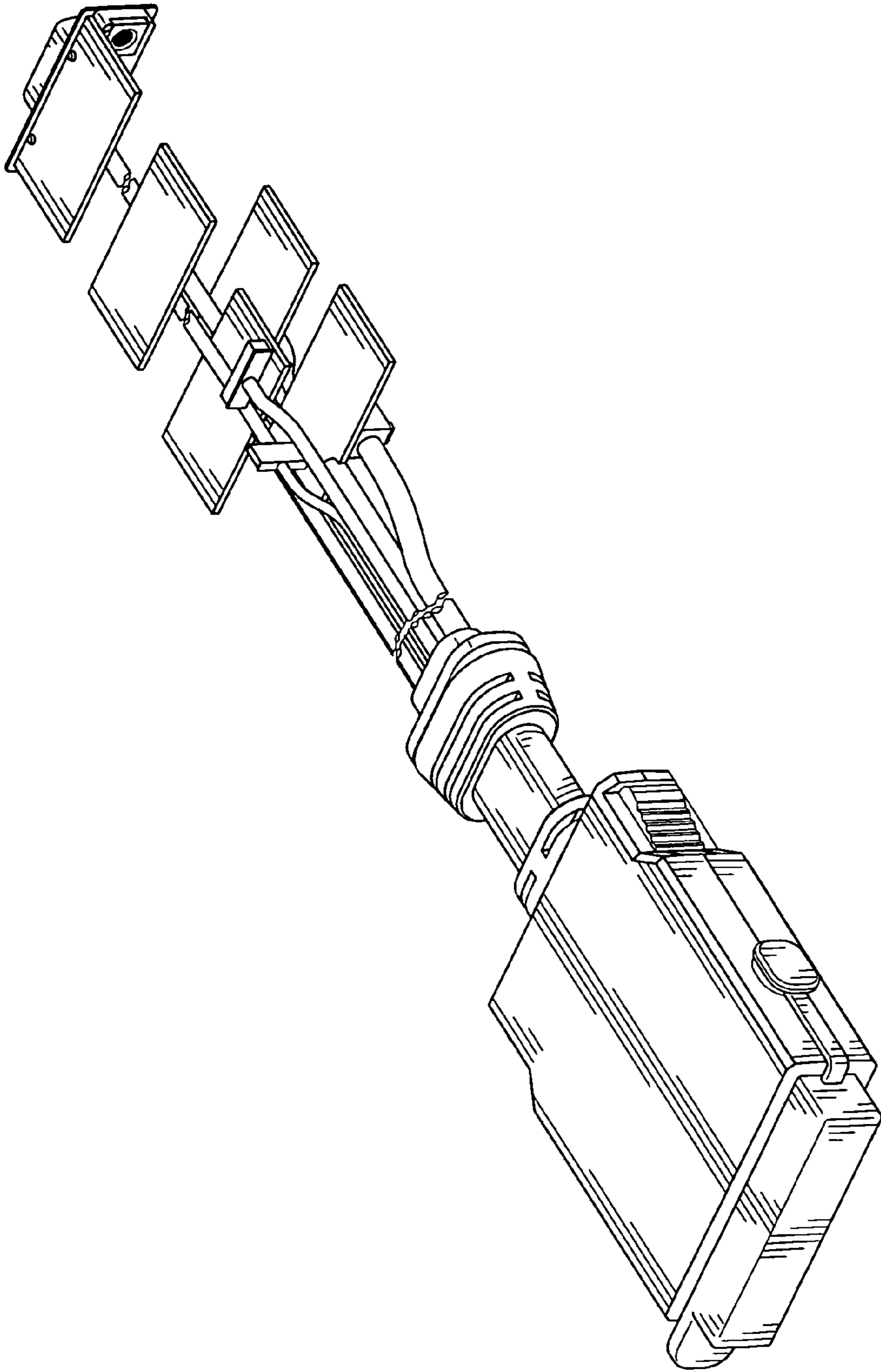


FIG. 1

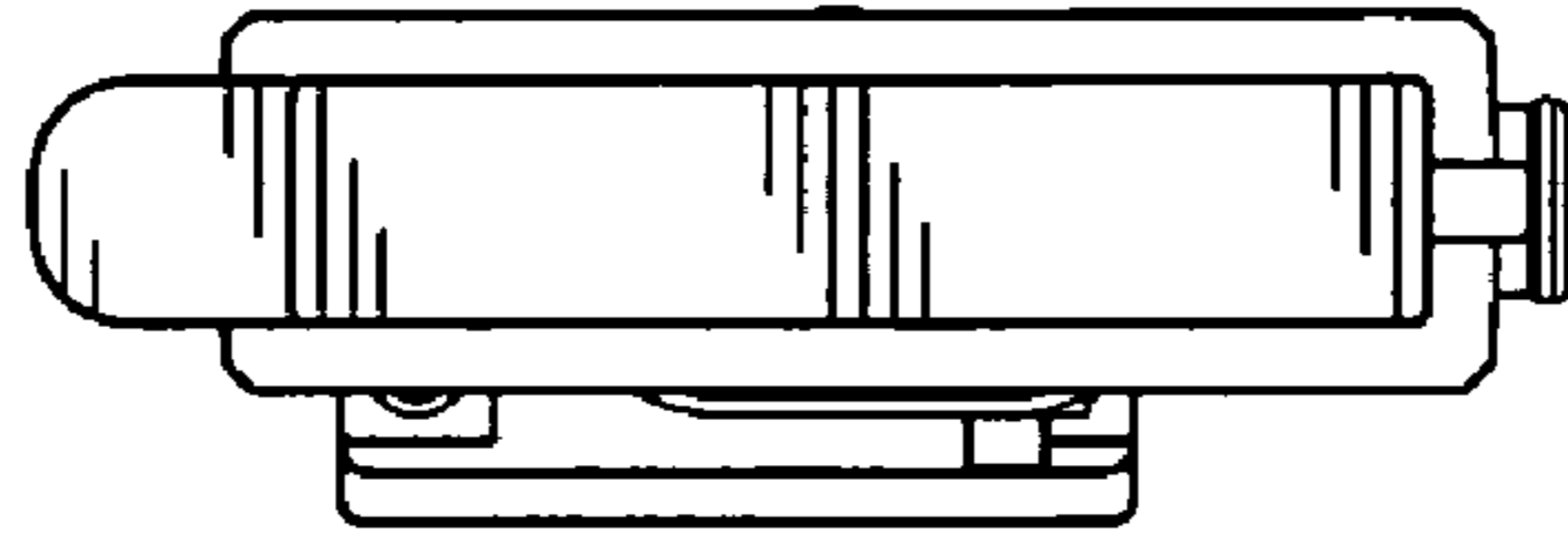


FIG. 2

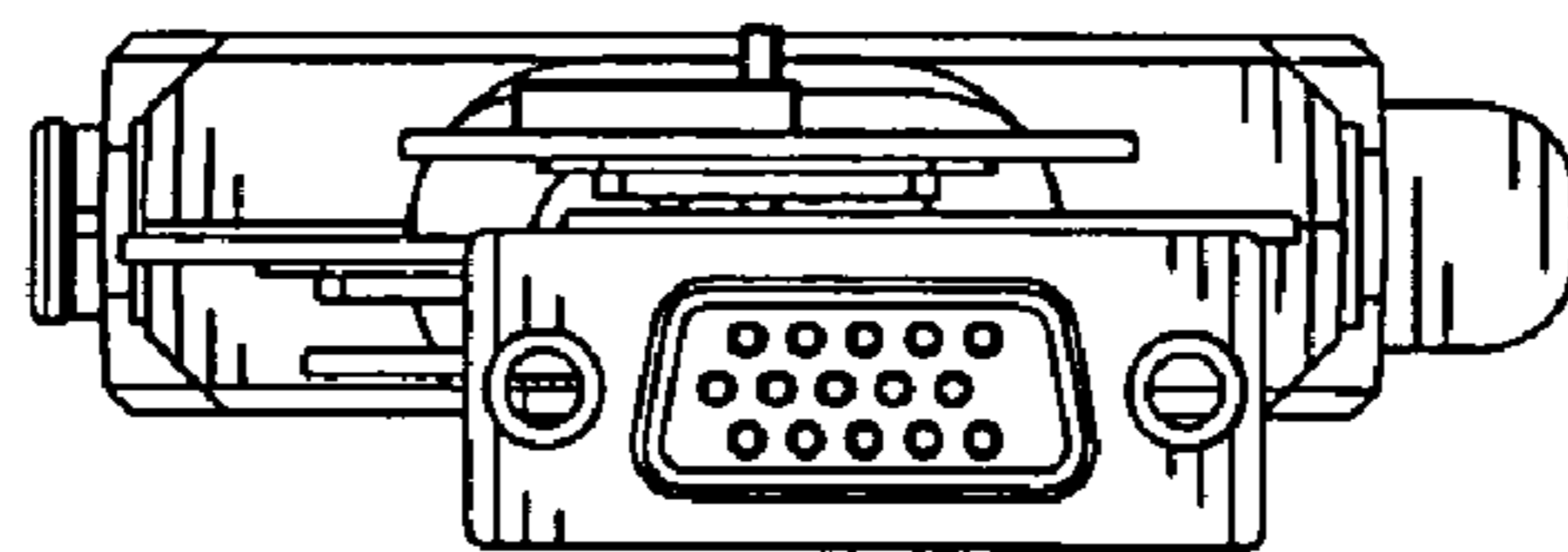


FIG. 3

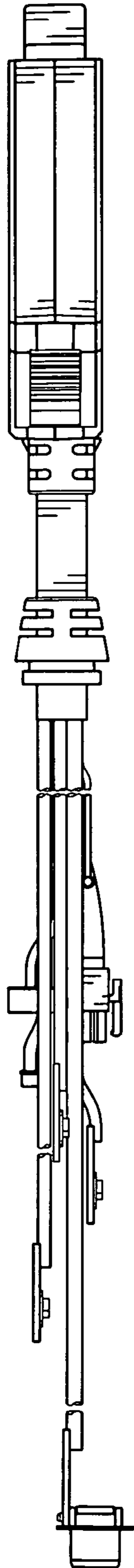


FIG. 4

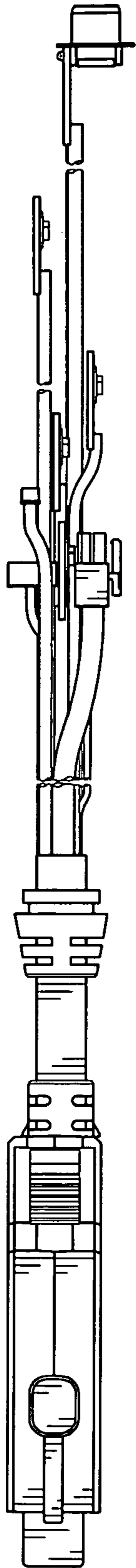


FIG. 5

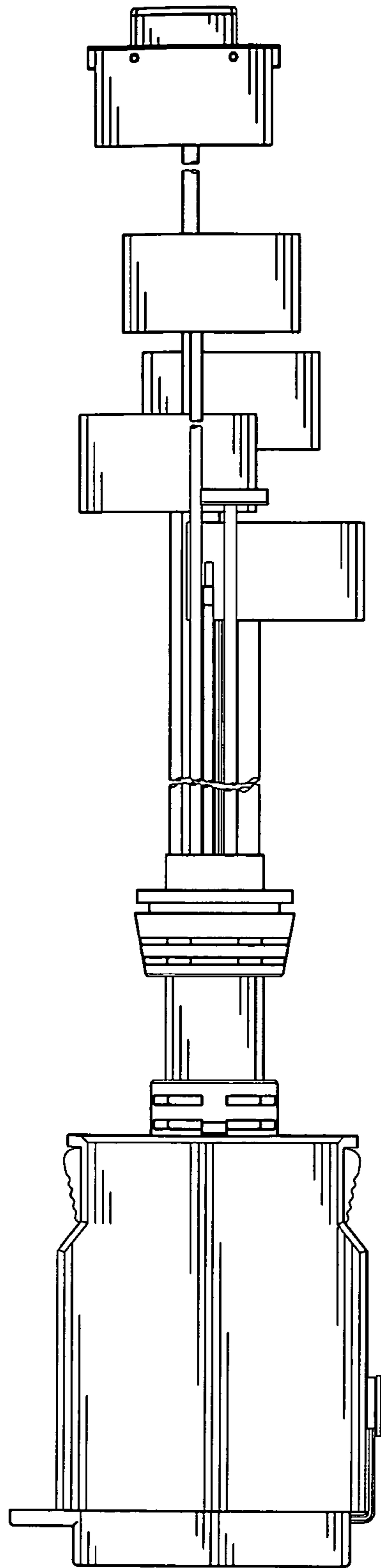


FIG. 6

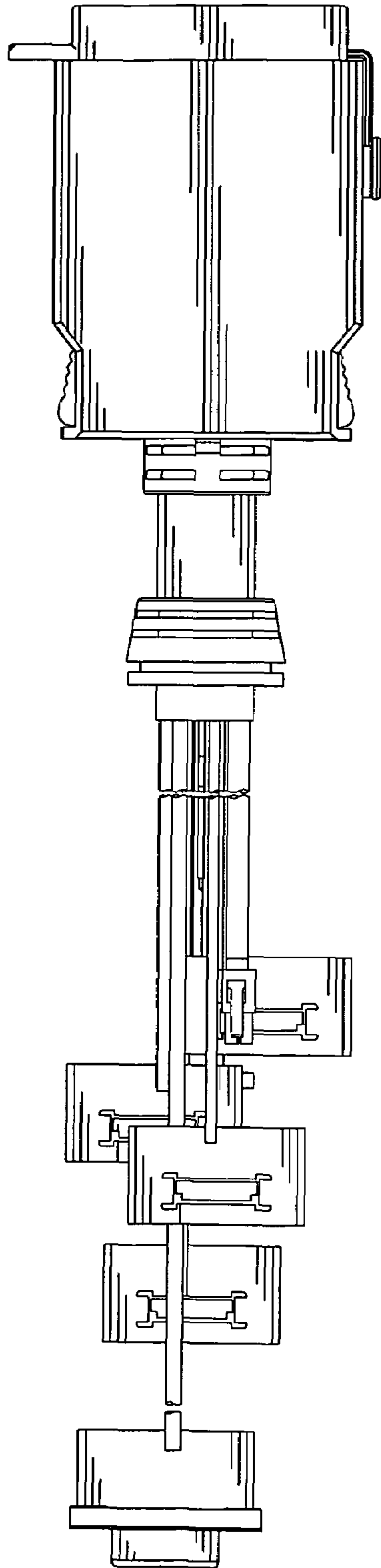


FIG. 7

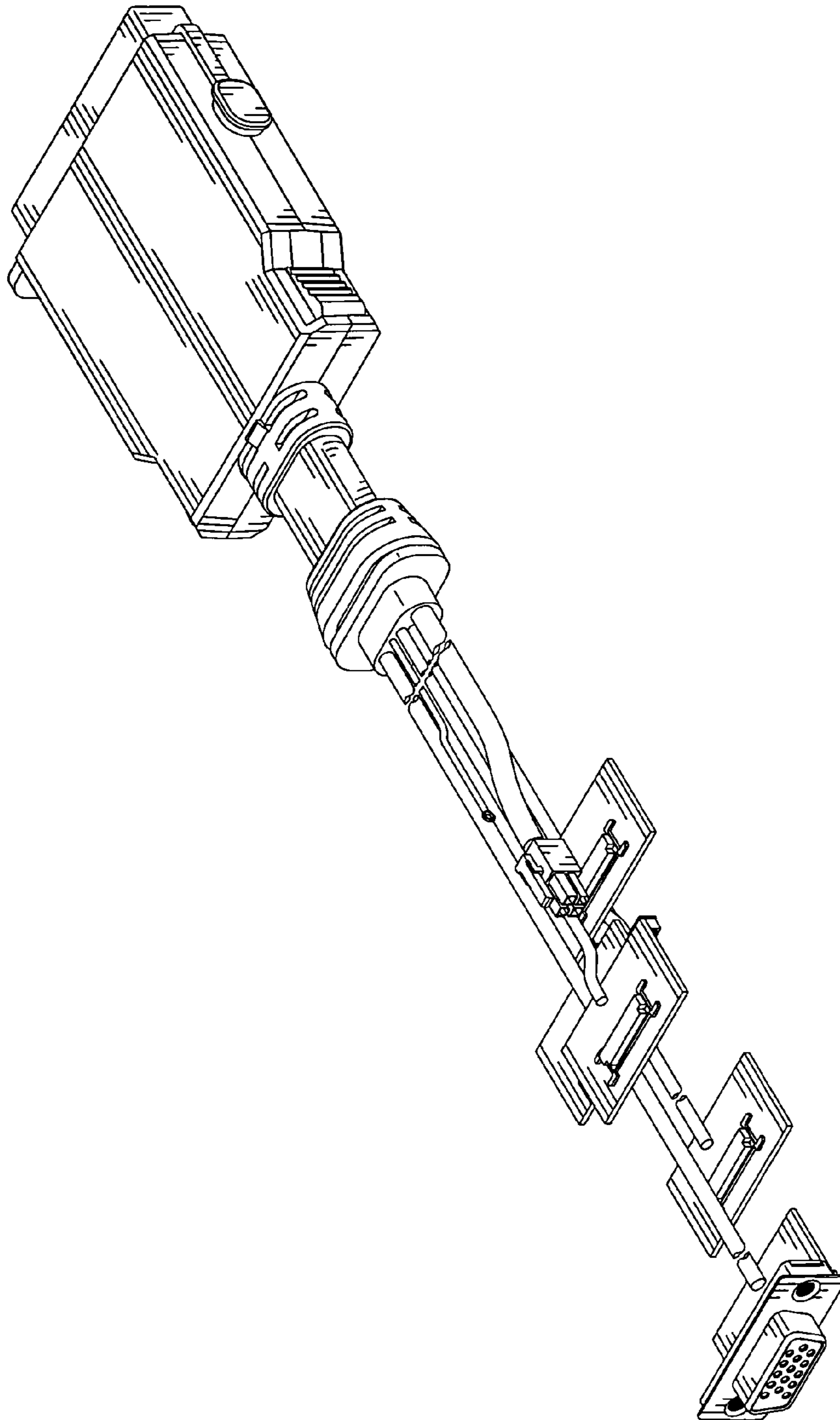


FIG. 8