

US00D571293S

(12) **United States Design Patent**
Probst

(10) **Patent No.:** **US D571,293 S**
(45) **Date of Patent:** **** Jun. 17, 2008**

(54) **POWER PROTECTION MODULE**
(75) Inventor: **John F. Probst**, Port Jefferson Station,
NY (US)

5,560,981 A * 10/1996 Ito 428/209
D418,816 S * 1/2000 Wu D13/146
D437,582 S * 2/2001 Stekelenburg D13/139.1
D448,732 S * 10/2001 Kinsey et al. D13/152

(73) Assignee: **TII Network Technologies, Inc.**,
Copiague, NY (US)

* cited by examiner

Primary Examiner—Daniel Bui
Assistant Examiner—Thomas J Johannes

(**) Term: **14 Years**

(57) **CLAIM**

(21) Appl. No.: **29/244,849**

I claim the ornamental design for a power protection module, as shown and described.

(22) Filed: **Dec. 14, 2005**

(51) **LOC (8) Cl.** **13-03**

DESCRIPTION

(52) **U.S. Cl.** **D13/125**

(58) **Field of Classification Search** D13/123–125,
D13/137.1–139.8, 144, 184, 199; 307/10.1;
337/186; 361/600; 439/500

FIG. 1 is a front elevation view of a power protection module showing my new design;

FIG. 2 is a back elevation view thereof;

FIG. 3 is a left side elevation view thereof;

FIG. 4 is a right side elevation view thereof;

FIG. 5 is a top plan view thereof; and,

FIG. 6 is a bottom plan view thereof.

See application file for complete search history.

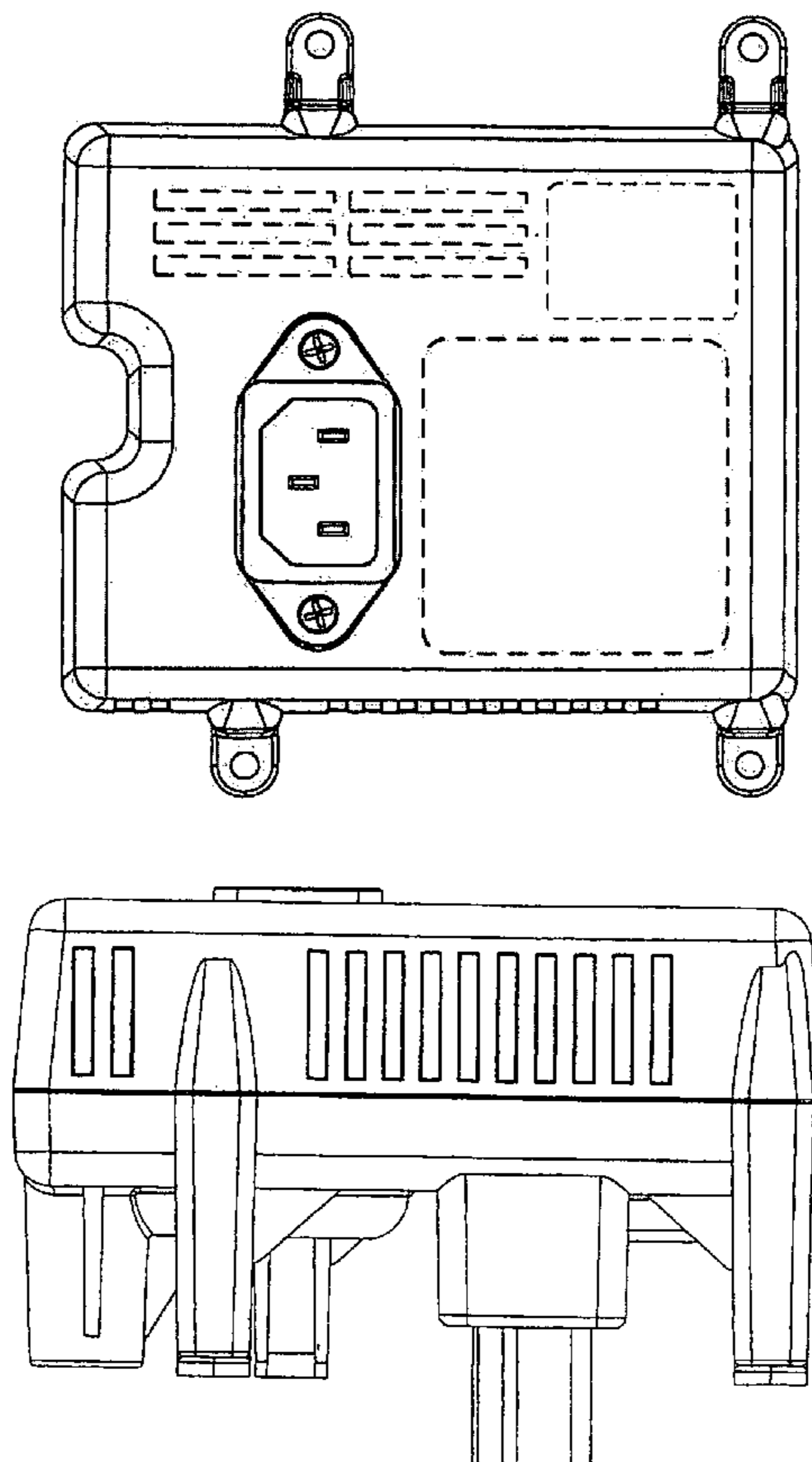
The broken line showing in the figure drawings is included for illustrative purposes only and forms no part of the claimed design.

(56) **References Cited**

U.S. PATENT DOCUMENTS

4,415,217 A * 11/1983 Clabburn et al. 439/488
D326,642 S * 6/1992 Lowe D13/138.1
D356,295 S * 3/1995 Shoda et al. D13/146
5,424,587 A * 6/1995 Federowicz 307/140
D367,845 S * 3/1996 Jacobs D13/138.2
D373,994 S * 9/1996 Kammersgard et al. ... D13/146

1 Claim, 3 Drawing Sheets



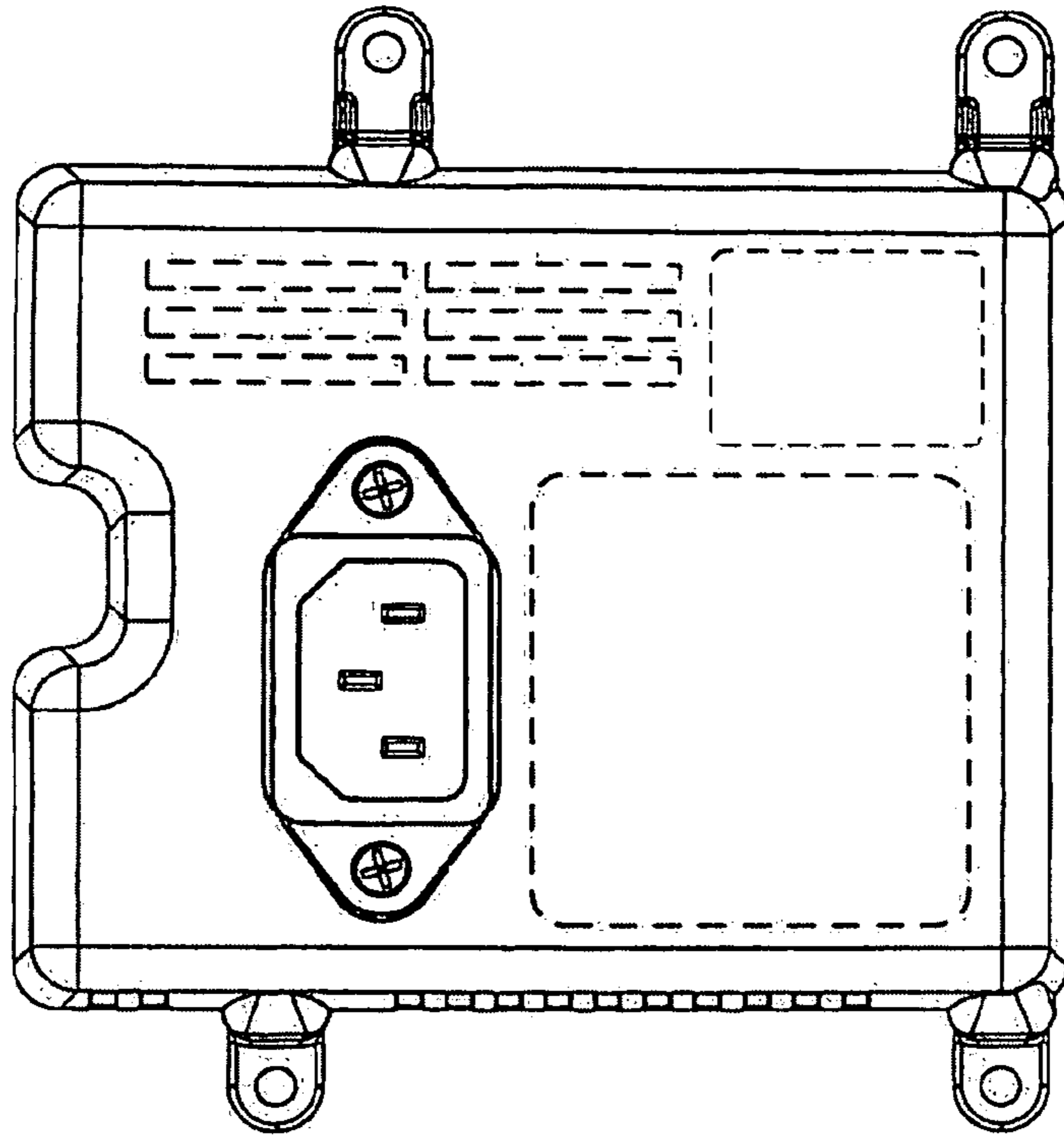


FIG. 1

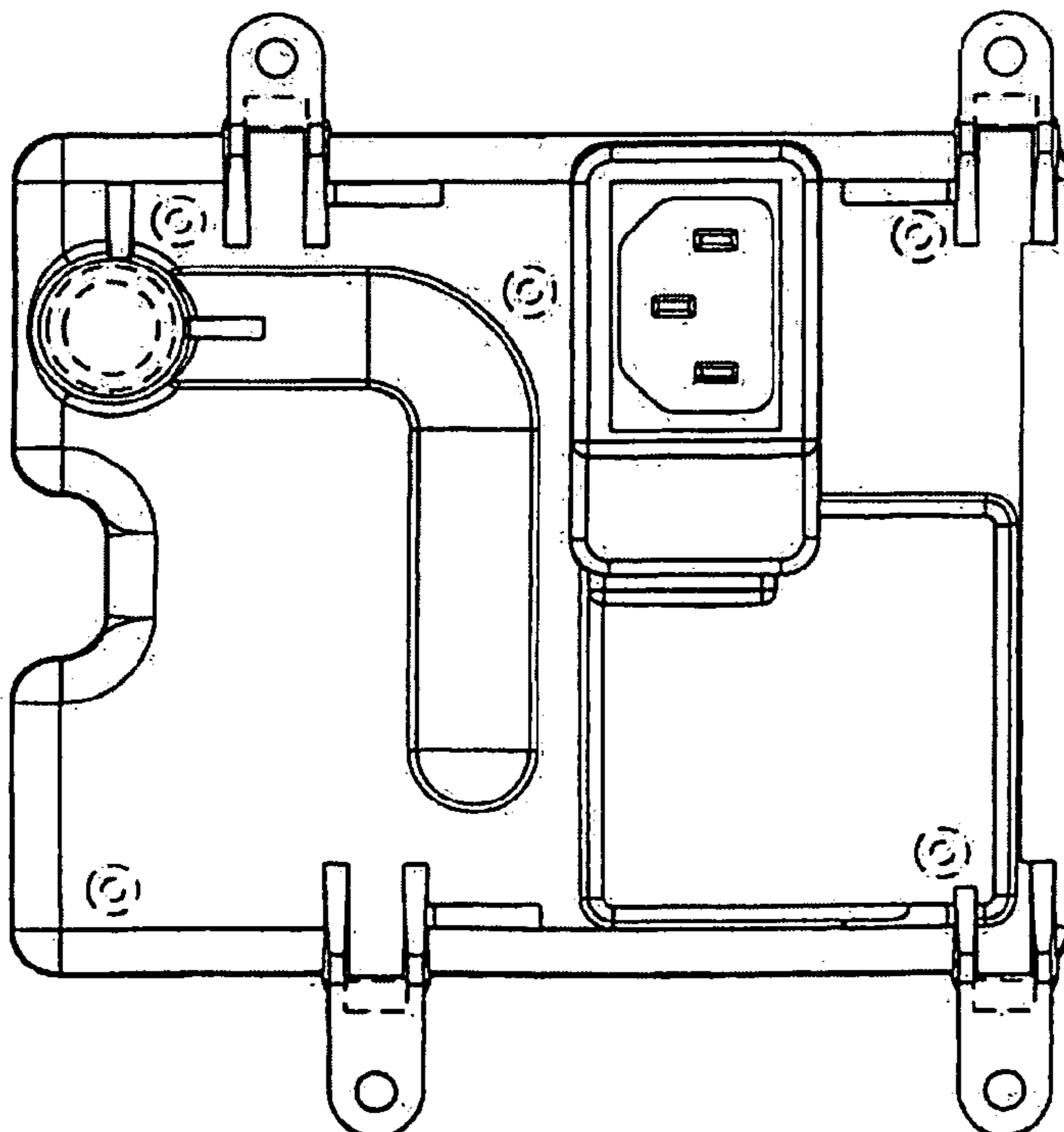


FIG. 2

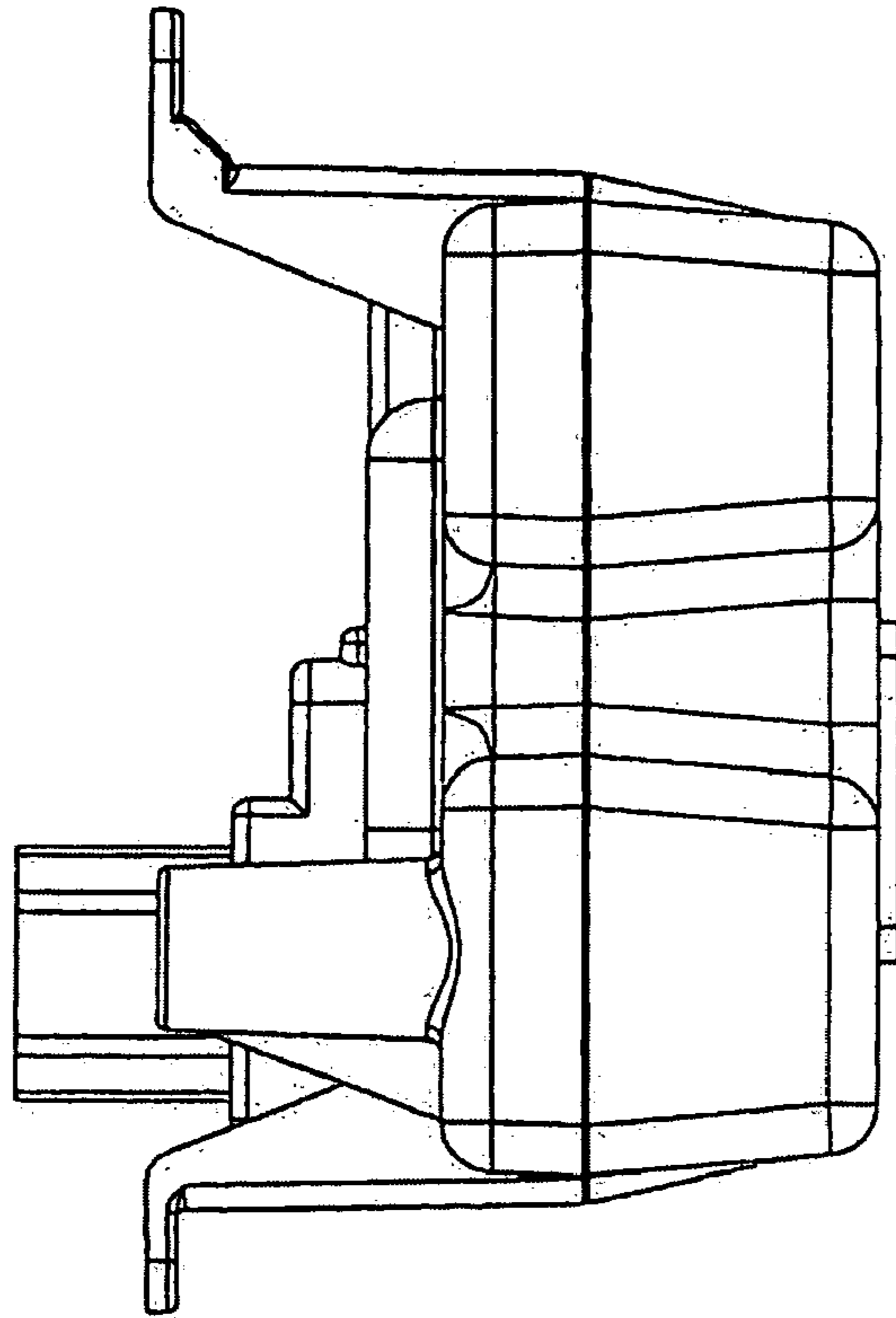


FIG. 3

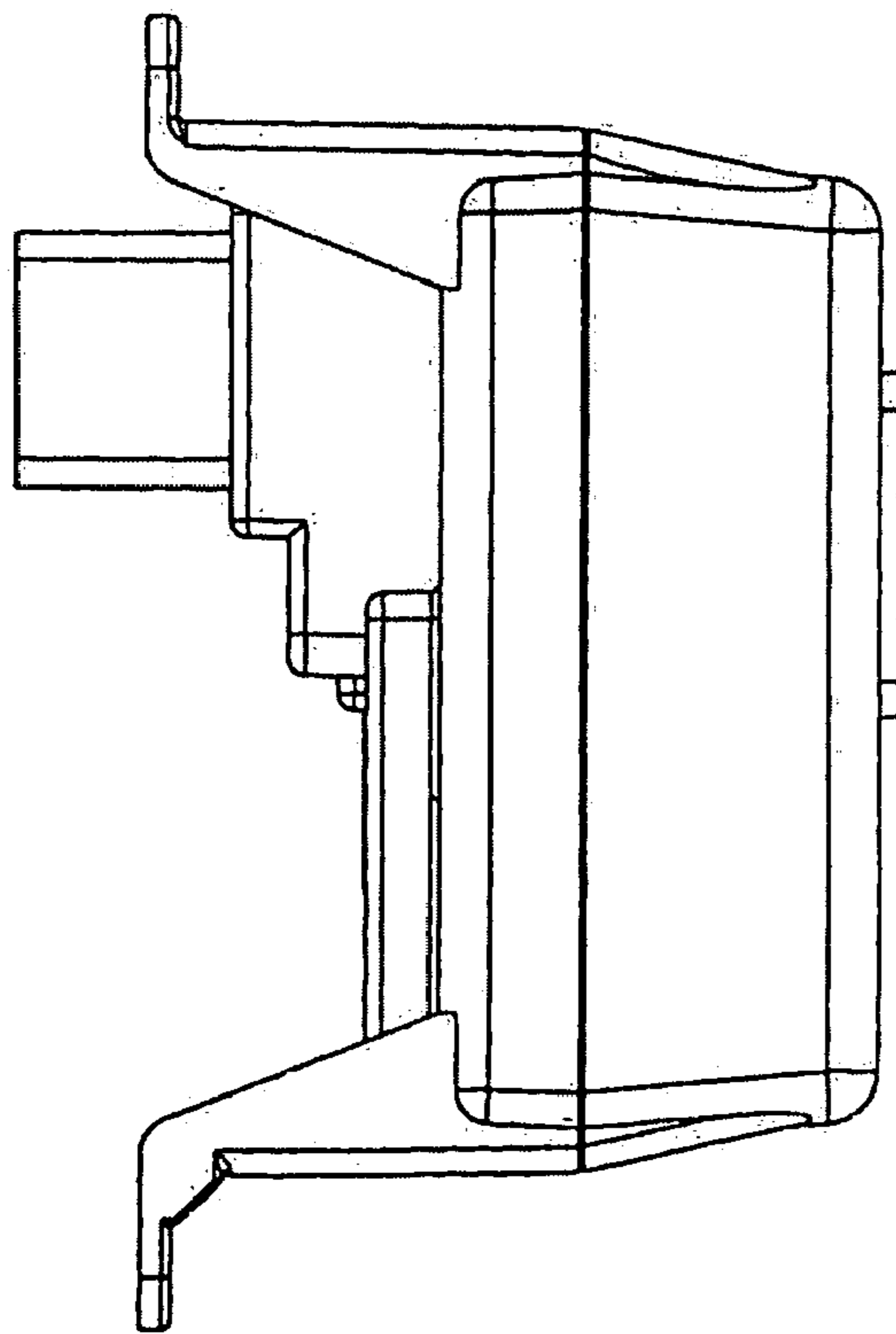


FIG. 4

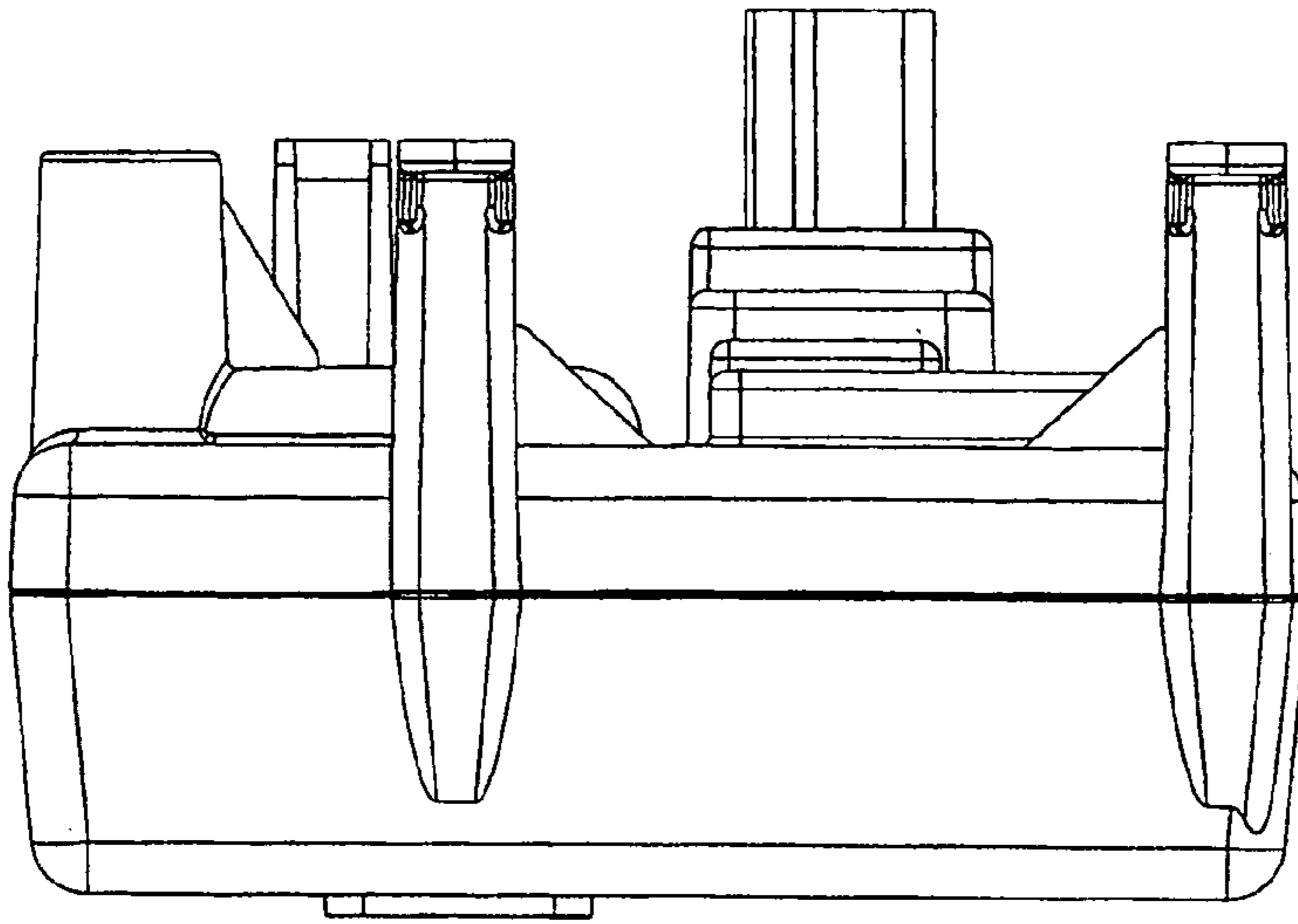


Fig. 5

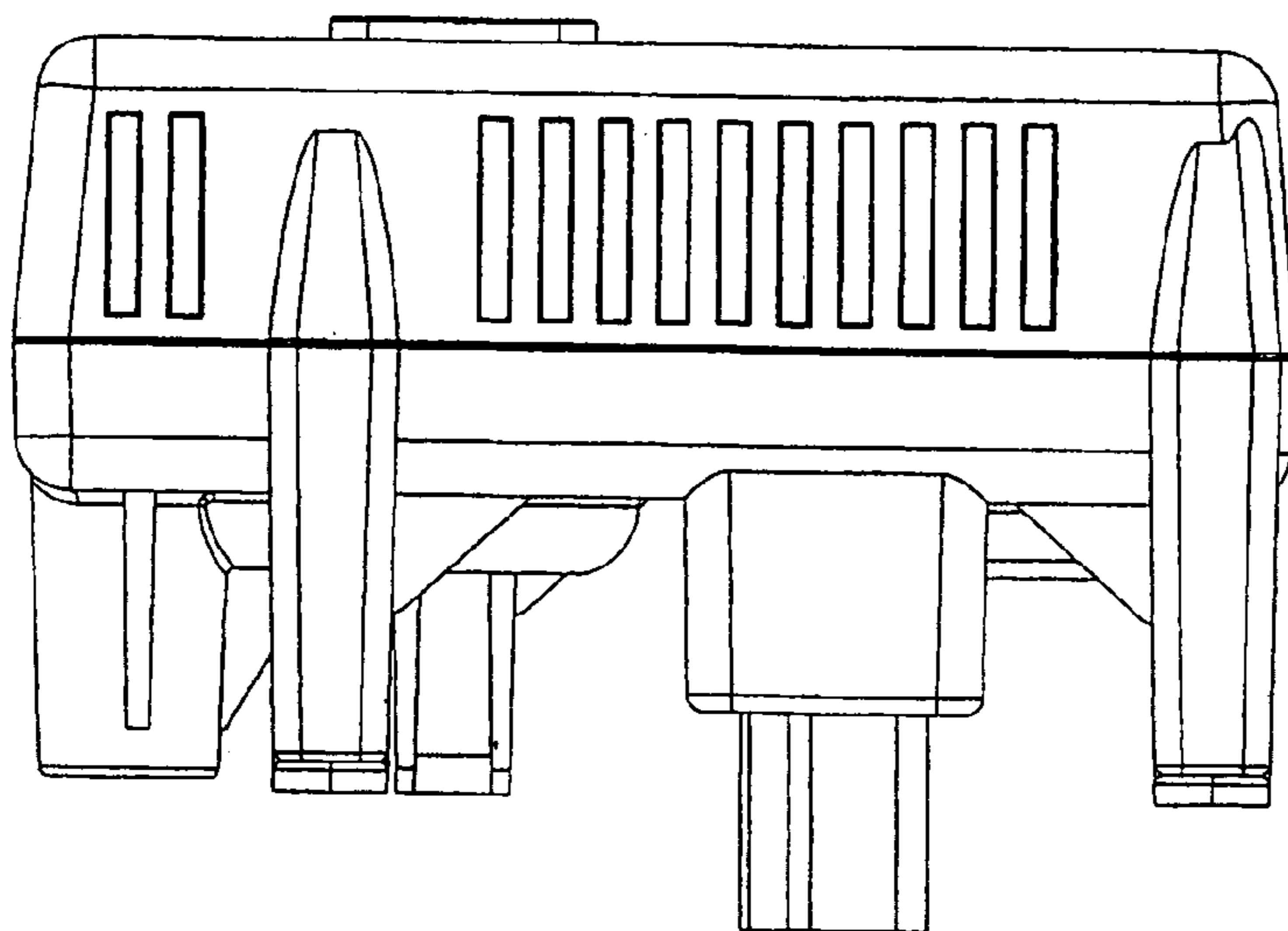


Fig. 6