

US00D571291S

(12) **United States Design Patent**
Jabaji

(10) **Patent No.:** **US D571,291 S**
(45) **Date of Patent:** **** Jun. 17, 2008**

(54) **MOTORIZED ACTUATOR**

(75) Inventor: **Issam Jabaji**, Glenview, IL (US)

(73) Assignee: **C. E. Niehoff & Co.**, Evanston, IL (US)

(**) Term: **14 Years**

(21) Appl. No.: **29/289,027**

(22) Filed: **Jun. 29, 2007**

(51) **LOC (8) Cl.** **13-01**

(52) **U.S. Cl.** **D13/112**

(58) **Field of Classification Search** D13/112,
D13/113, 118, 122, 158, 174, 199; D15/7,
D15/199; 74/606 R, 614, 615; 310/10,
310/68, 85, 89, 109

See application file for complete search history.

(56) **References Cited**

U.S. PATENT DOCUMENTS

D140,204 S *	1/1945	Lear	D13/112
D140,493 S *	2/1945	Wehner	D13/112
D140,521 S *	3/1945	Skaglund	D12/345
D141,554 S *	6/1945	Lear	D13/112
D310,816 S	9/1990	Sawato et al.		
4,988,905 A *	1/1991	Tolmie, Jr.	310/68 B
D353,132 S *	12/1994	Tinkham	D13/174
D386,744 S	11/1997	Urvoy		
D399,491 S *	10/1998	Nagai et al.	D13/158
D403,722 S	1/1999	Zimmer		
D459,742 S *	7/2002	Abrahamsen et al.	D15/143
D462,937 S	9/2002	Nord		

D486,501 S *	2/2004	Hawkins et al.	D15/7
D497,620 S *	10/2004	Morton	D15/7
D511,138 S *	11/2005	Kwan	D13/112
D517,105 S *	3/2006	Negishi	D15/199

* cited by examiner

Primary Examiner—Prabhakar Deshmukh

Assistant Examiner—Derrick Holland

(74) *Attorney, Agent, or Firm*—Law Offices of Michael M. Ahmadshahi

(57) **CLAIM**

The ornamental design for a motorized actuator, as shown and described.

DESCRIPTION

FIG. 1 is a front view of a motorized actuator according to the present invention.

FIG. 2 is a rear view thereof.

FIG. 3 is a first side view thereof.

FIG. 4 is a second side view thereof.

FIG. 5 is a top view thereof.

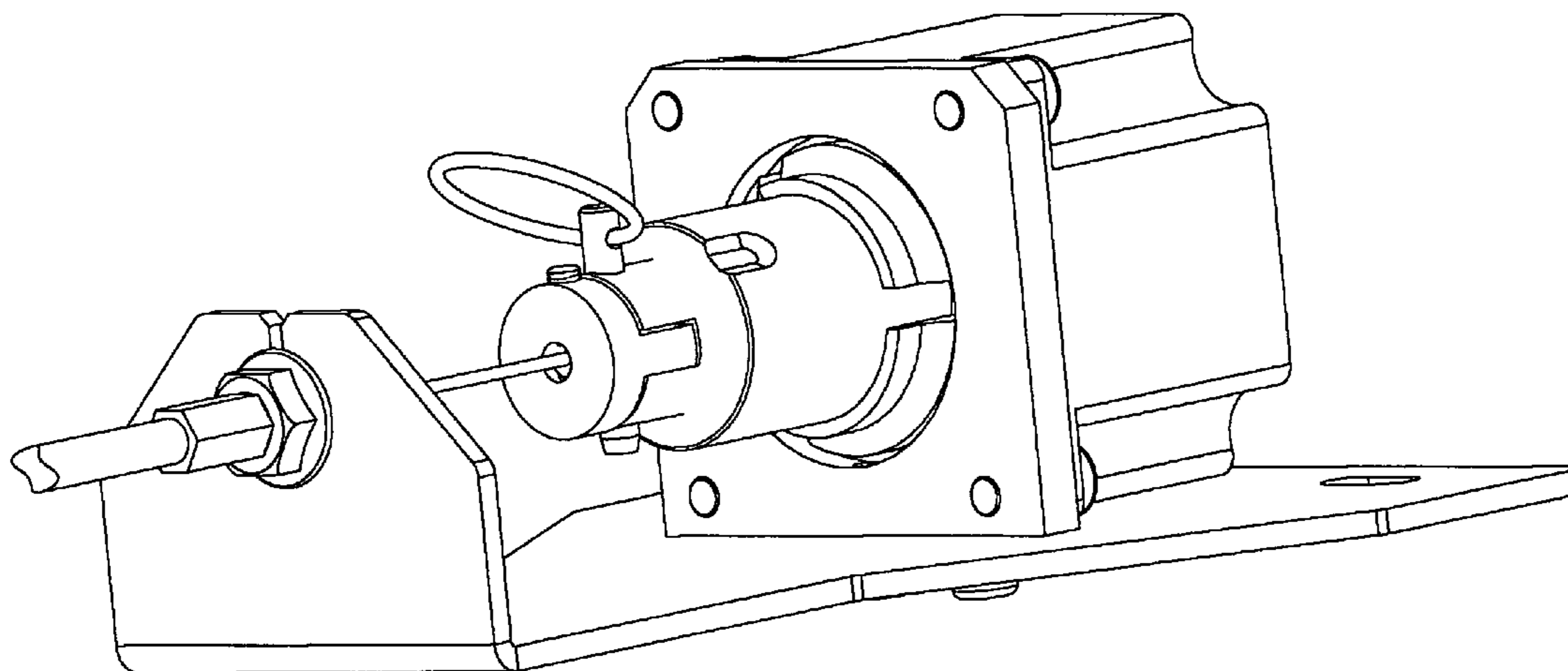
FIG. 6 is a bottom view thereof.

FIG. 7 is a first isometric view thereof; and,

FIG. 8 is a second isometric view thereof.

The actuating cable, protruding from the front of the assembly, is shown as a cutaway because specific length of the cable forms no part of the claimed design.

1 Claim, 8 Drawing Sheets



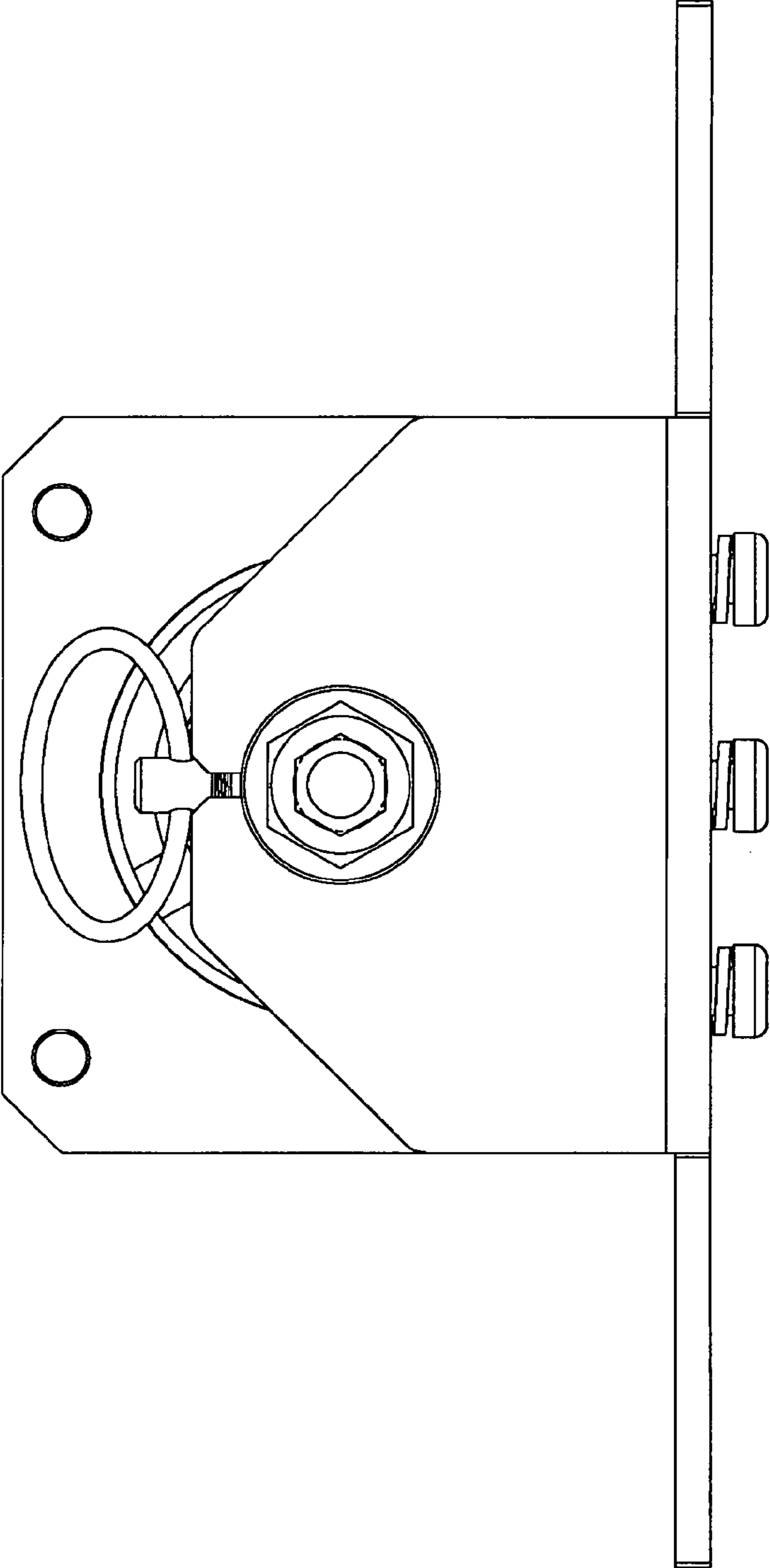


FIG. 1

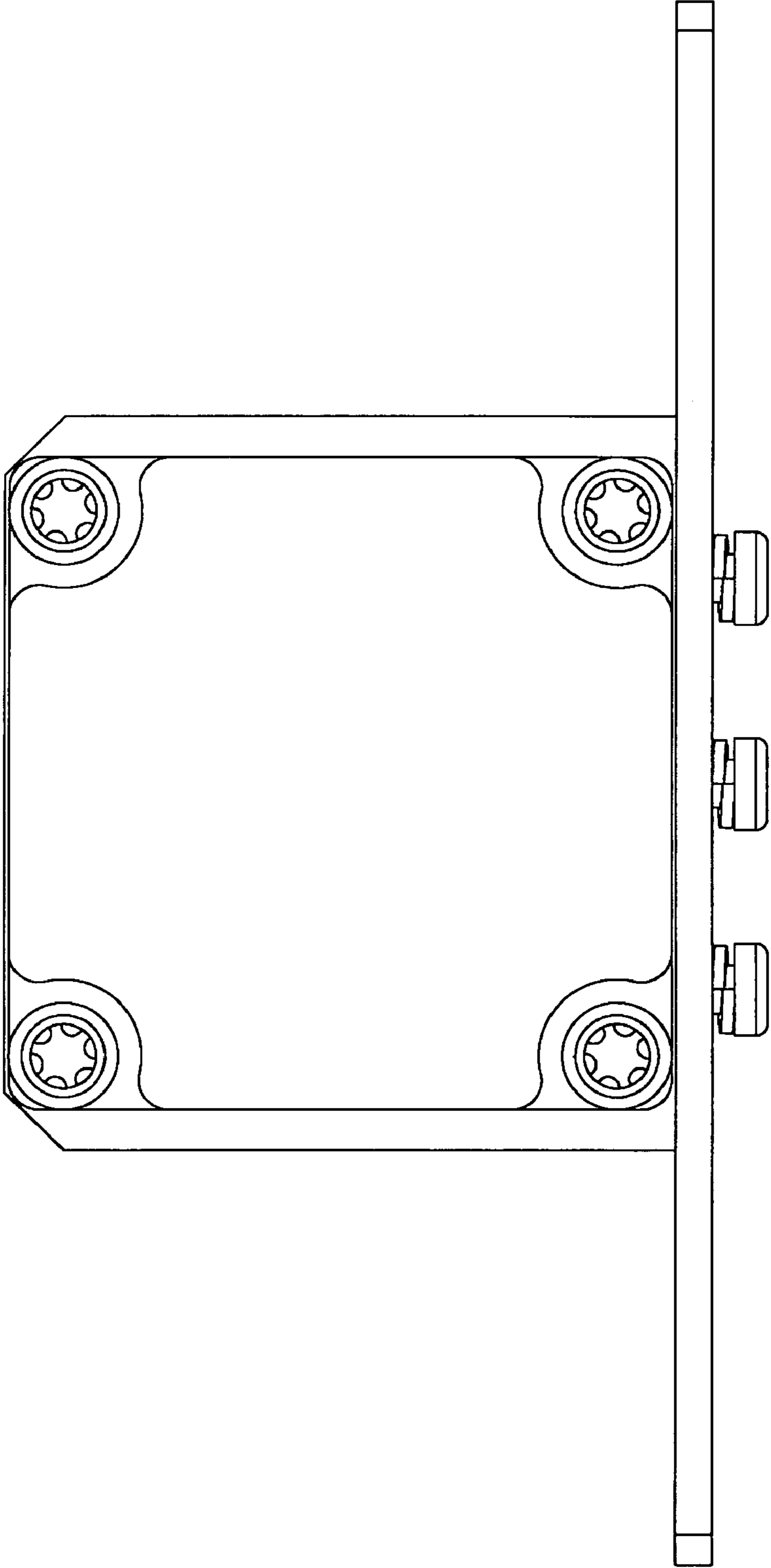


FIG. 2

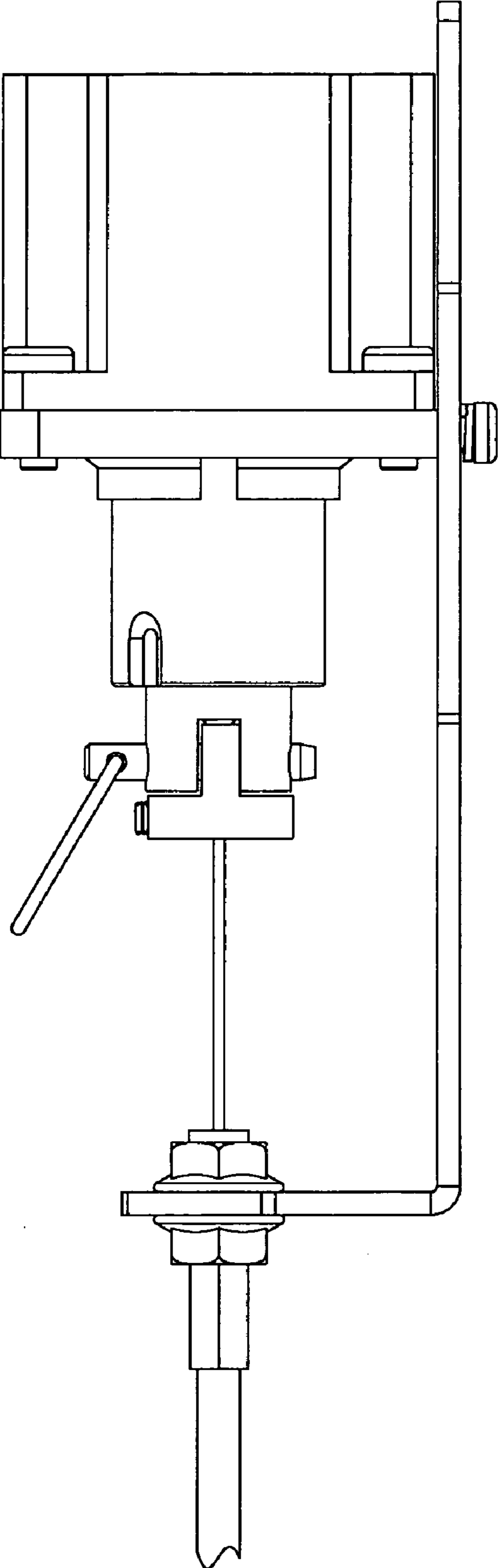


FIG. 3

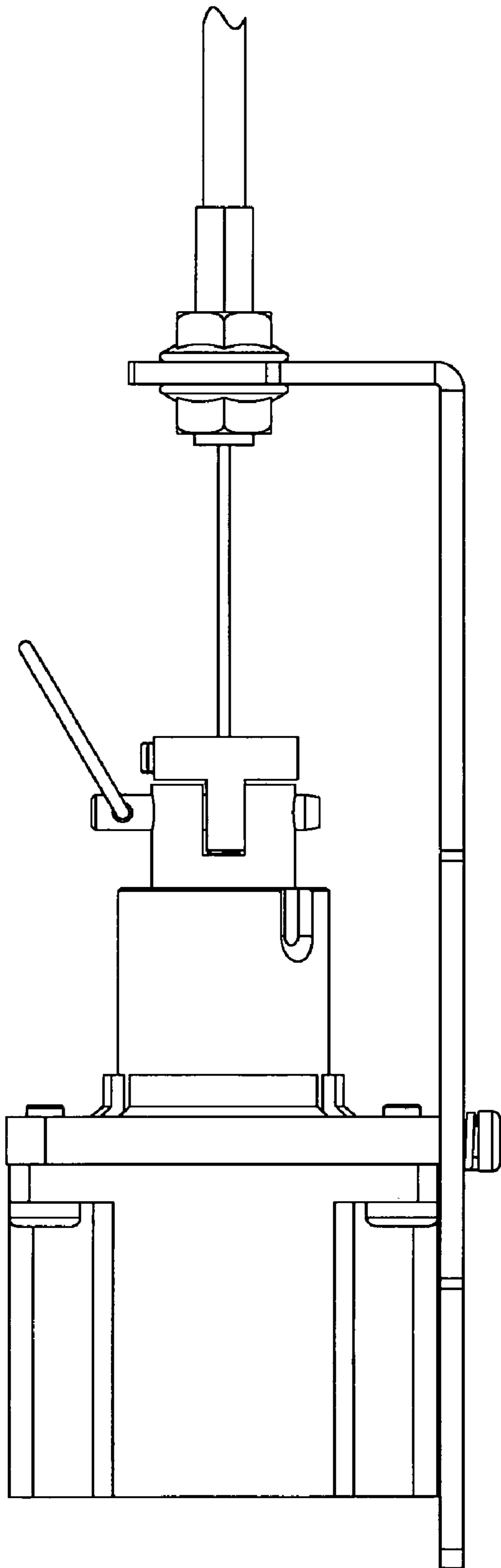


FIG. 4

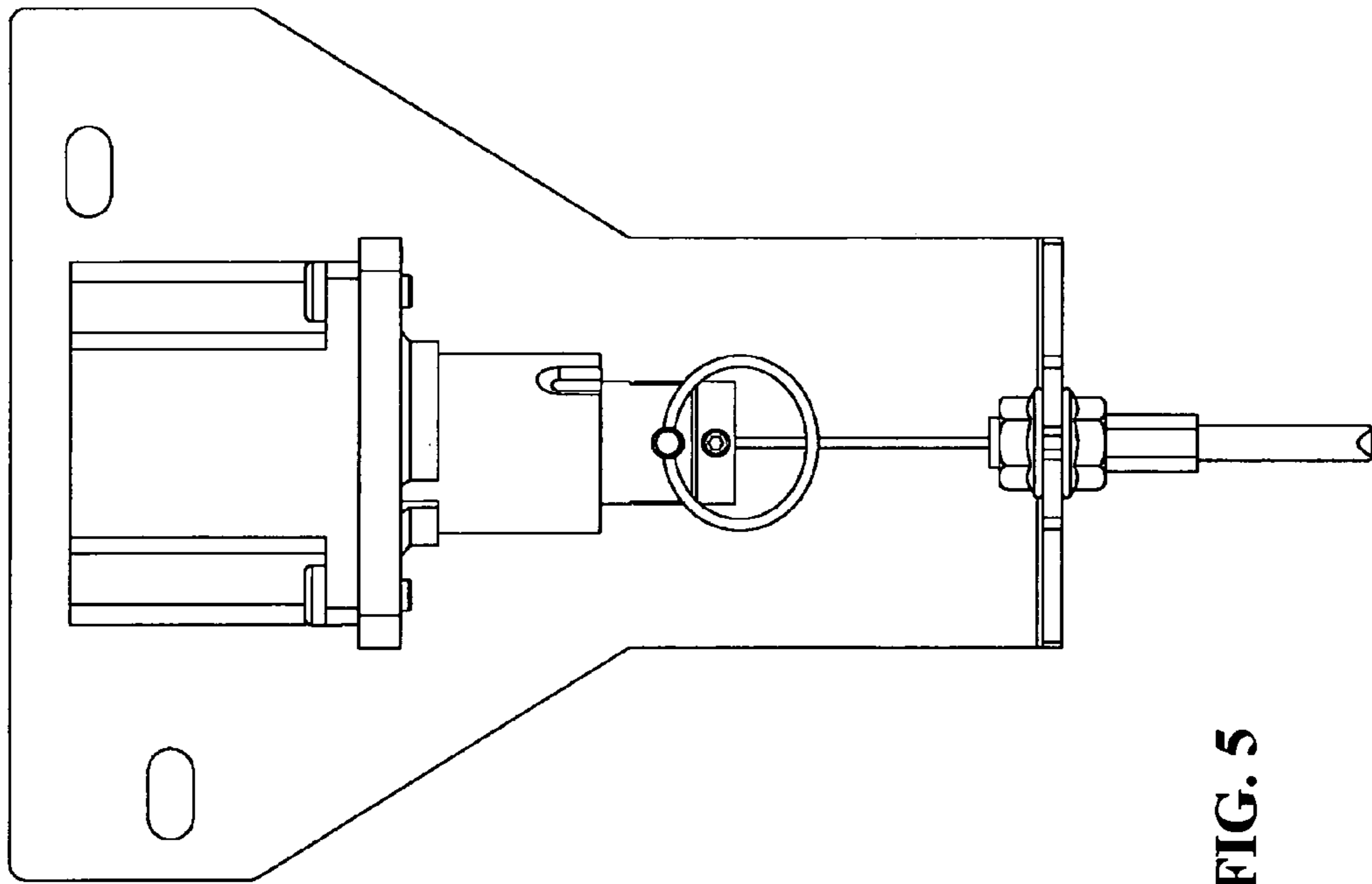


FIG. 5

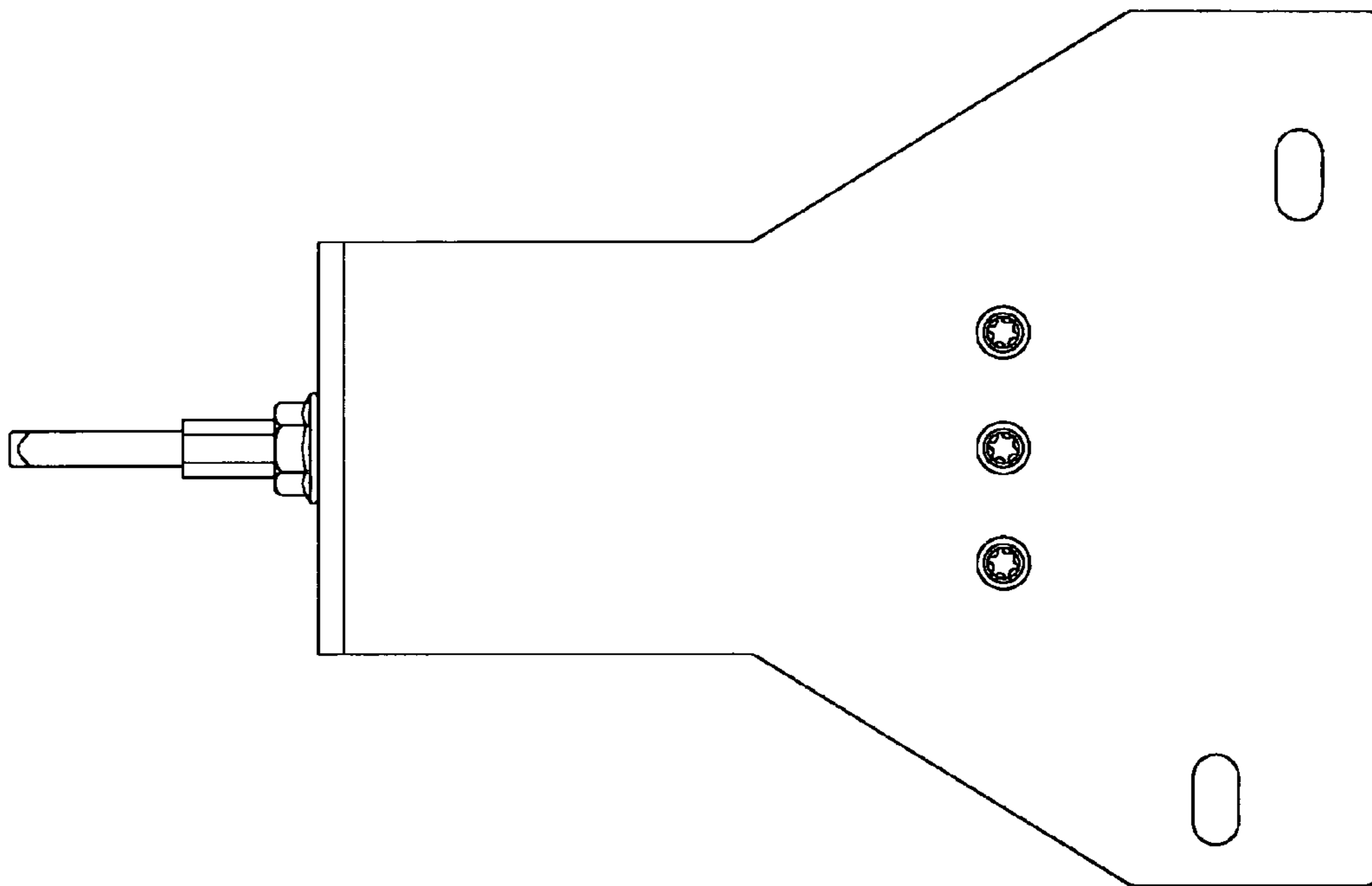


FIG. 6

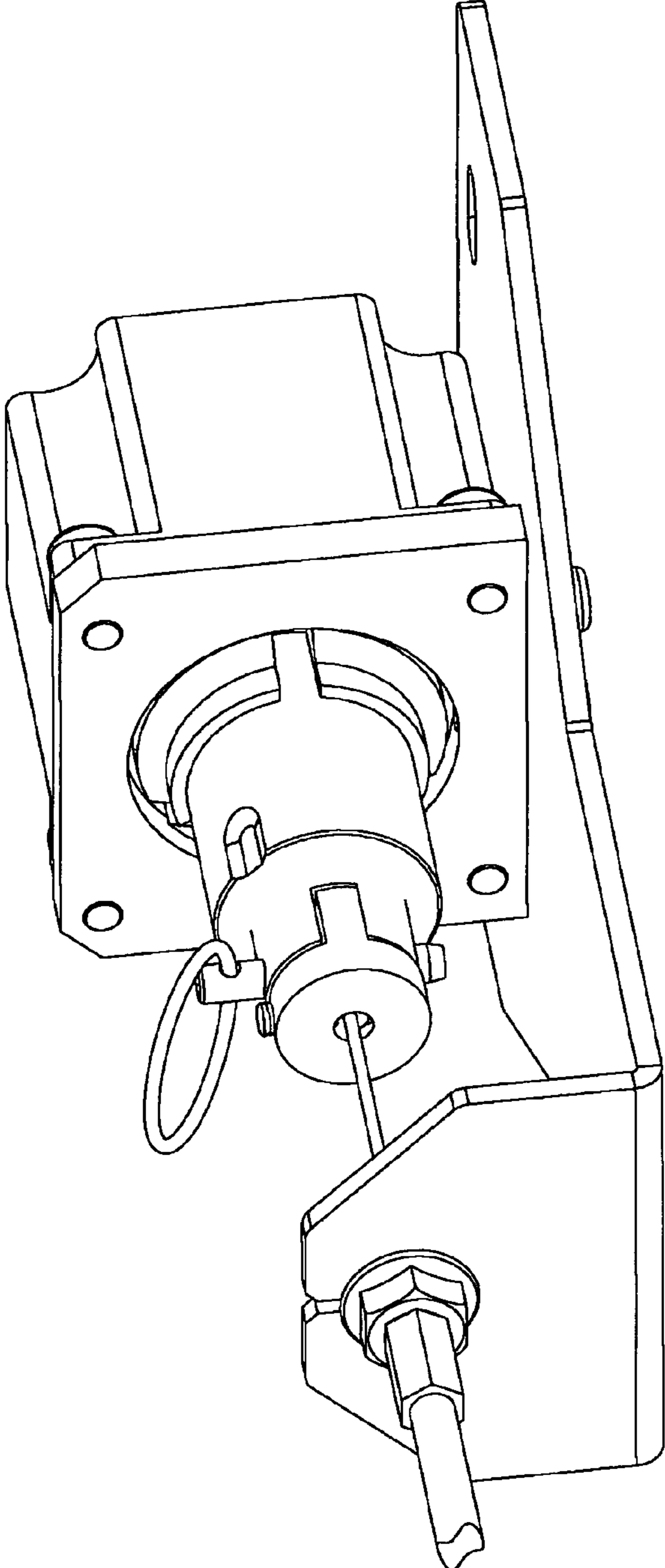


FIG. 7

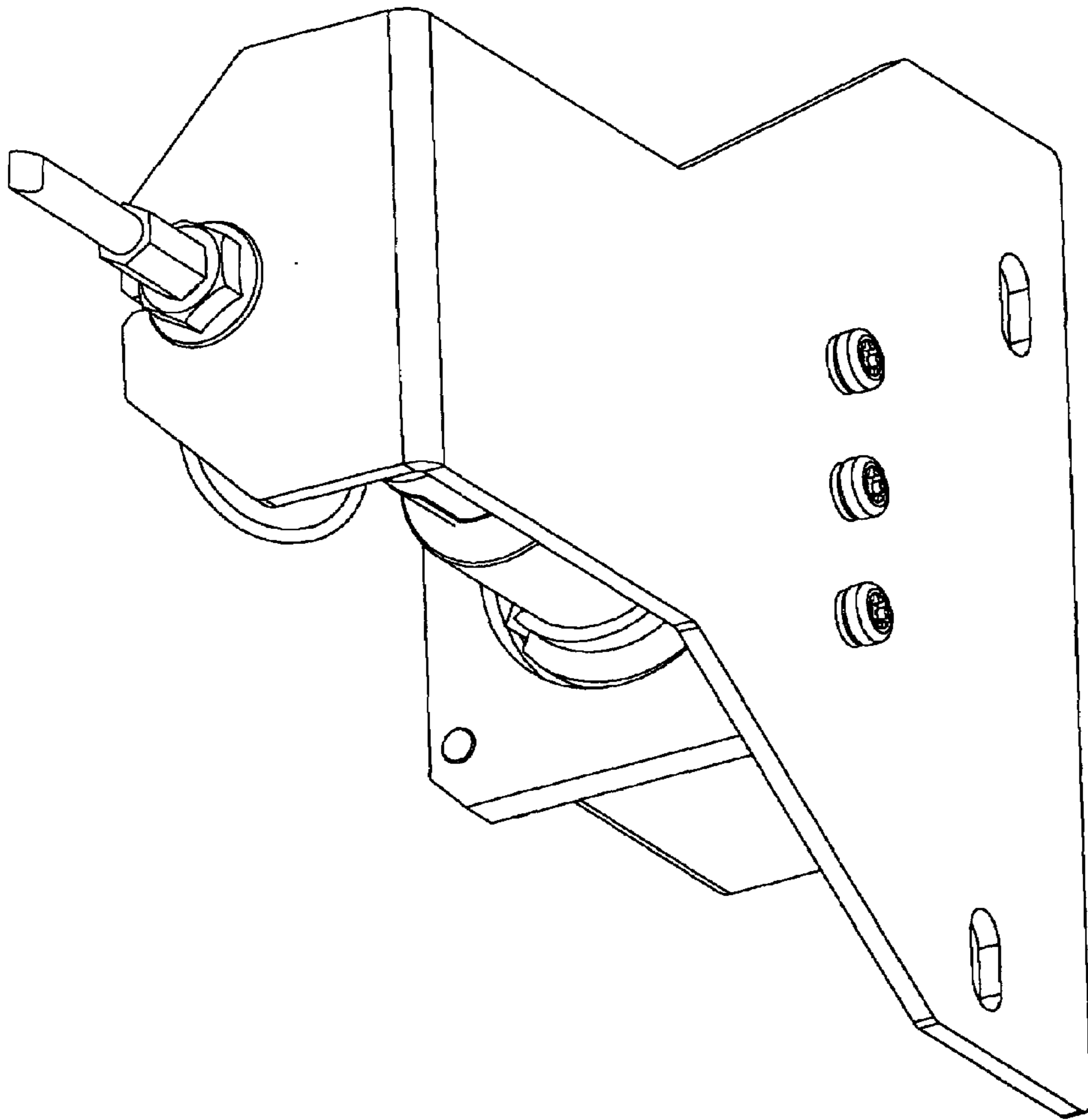


FIG. 8