

US00D571290S

(12) **United States Design Patent**
Gebhart et al.

(10) **Patent No.:** **US D571,290 S**
(45) **Date of Patent:** **** Jun. 17, 2008**

(54) **ROTARY ACTUATOR HOUSING**

(75) Inventors: **Steven A. Gebhart**, Tipp City, OH (US); **Gerard S. Edwards**, Centerville, OH (US)

(73) Assignee: **Globe Motors, Inc.**, Dayton, OH (US)

(**) Term: **14 Years**

(21) Appl. No.: **29/282,728**

(22) Filed: **Jul. 27, 2007**

(51) **LOC (8) Cl.** **13-01**

(52) **U.S. Cl.** **D13/112**

(58) **Field of Classification Search** D13/112,
D13/113, 118, 122, 174, 184, 199; D15/7,
D15/143, 199; 74/614, 615; 310/10, 68,
310/85, 89, 109; 418/243, 249
See application file for complete search history.

(56) **References Cited**

U.S. PATENT DOCUMENTS

D140,211 S *	1/1945	Lear	D13/112
D140,493 S *	2/1945	Wehner	D13/112
D140,589 S *	3/1945	Bruland	D12/345
D141,554 S *	6/1945	Lear	D13/112
D143,080 S *	12/1945	Lear et al.	D12/345
4,988,905 A *	1/1991	Tolmie, Jr.	310/68 B
5,714,816 A *	2/1998	Jensen et al.	310/89
6,123,167 A	9/2000	Miller et al.		
6,322,341 B1 *	11/2001	Haas	418/249
D459,742 S *	7/2002	Abrahamsen et al.	D15/143
6,966,399 B2	11/2005	Tanigaki et al.		
7,185,732 B2	3/2007	Saito et al.		

* cited by examiner

Primary Examiner—Prabhakar Deshmukh

Assistant Examiner—Derrick Holland

(74) *Attorney, Agent, or Firm*—Stevens & Showalter LLP

(57) **CLAIM**

The ornamental design for a rotary actuator housing, as shown and described.

DESCRIPTION

FIG. 1 is a top perspective view of a rotary actuator housing showing my new design;

FIG. 2 is a left side elevation view of the rotary actuator housing;

FIG. 3 is a right side elevation view of the rotary actuator housing;

FIG. 4 is a rear elevation view of the rotary actuator housing;

FIG. 5 is a front elevation view of the rotary actuator housing;

FIG. 6 is a top plan view of the rotary actuator housing;

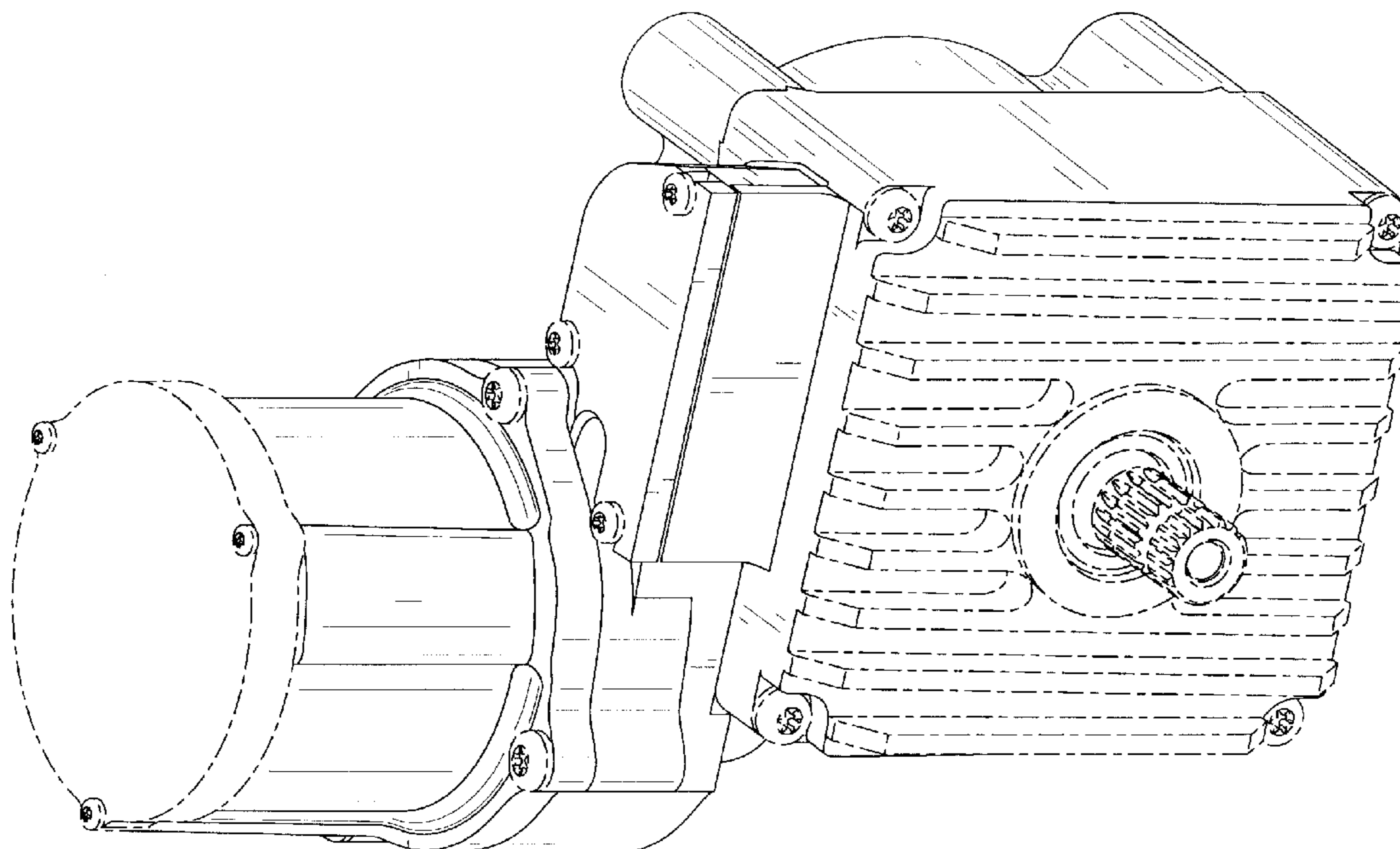
FIG. 7 is a bottom plan view of the rotary actuator housing; and,

FIG. 8 is a bottom perspective view of the rotary actuator housing.

The elements shown in broken lines are for illustrative purposes only and form no part of the claimed design.

The broken line(s) which define the bounds of the claimed design form no part thereof.

1 Claim, 8 Drawing Sheets



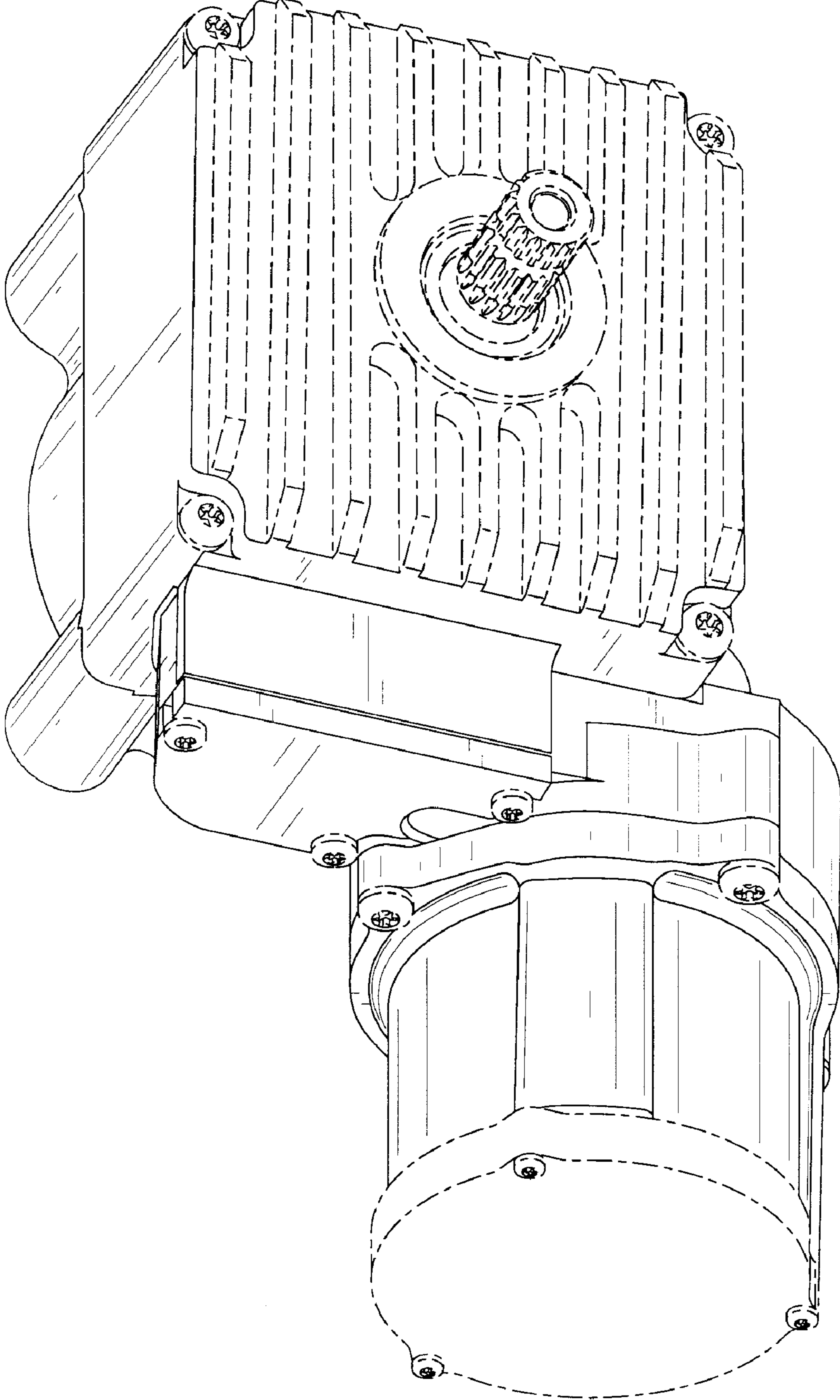


FIG. 1

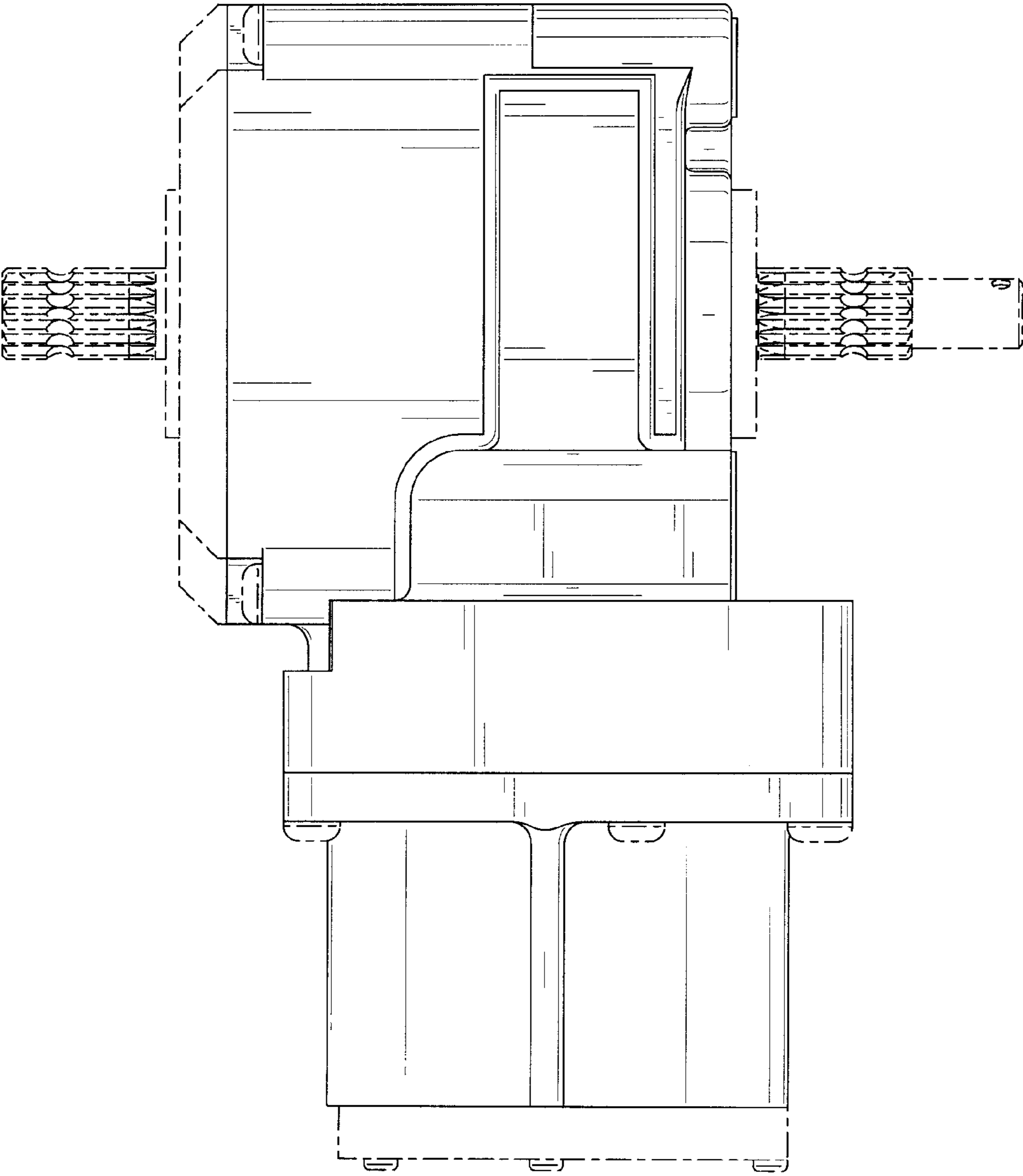


FIG. 2

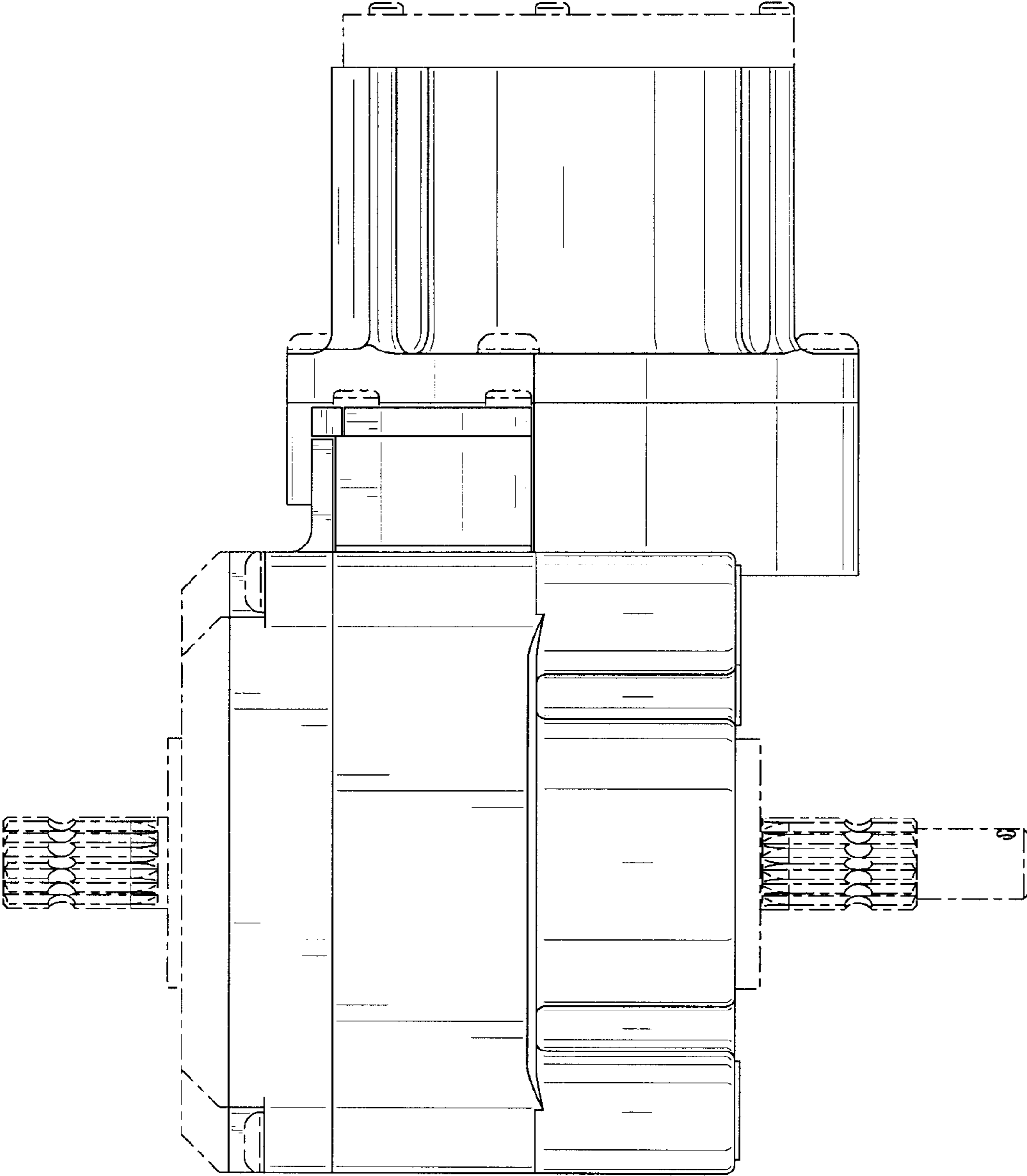


FIG. 3

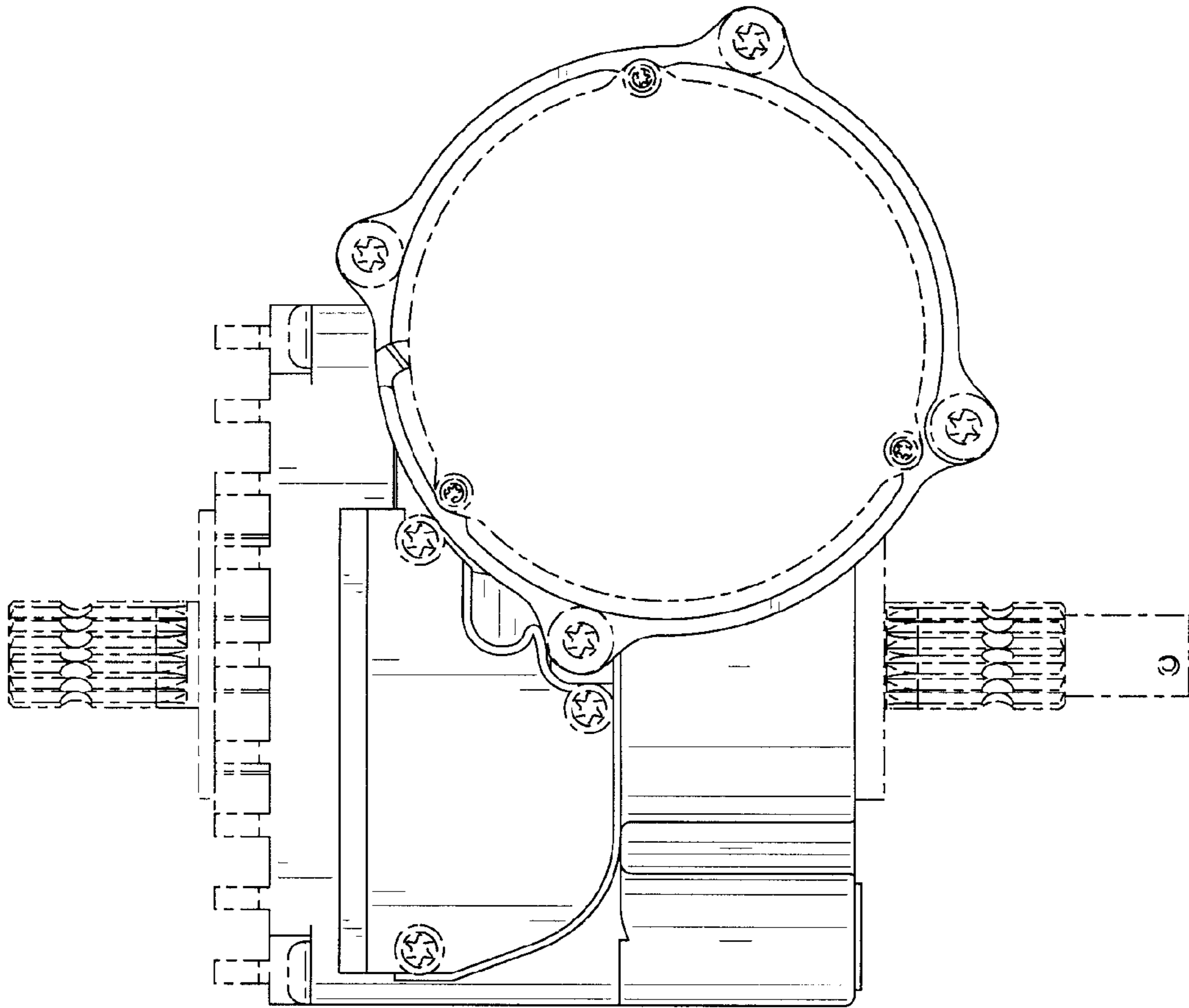


FIG. 4

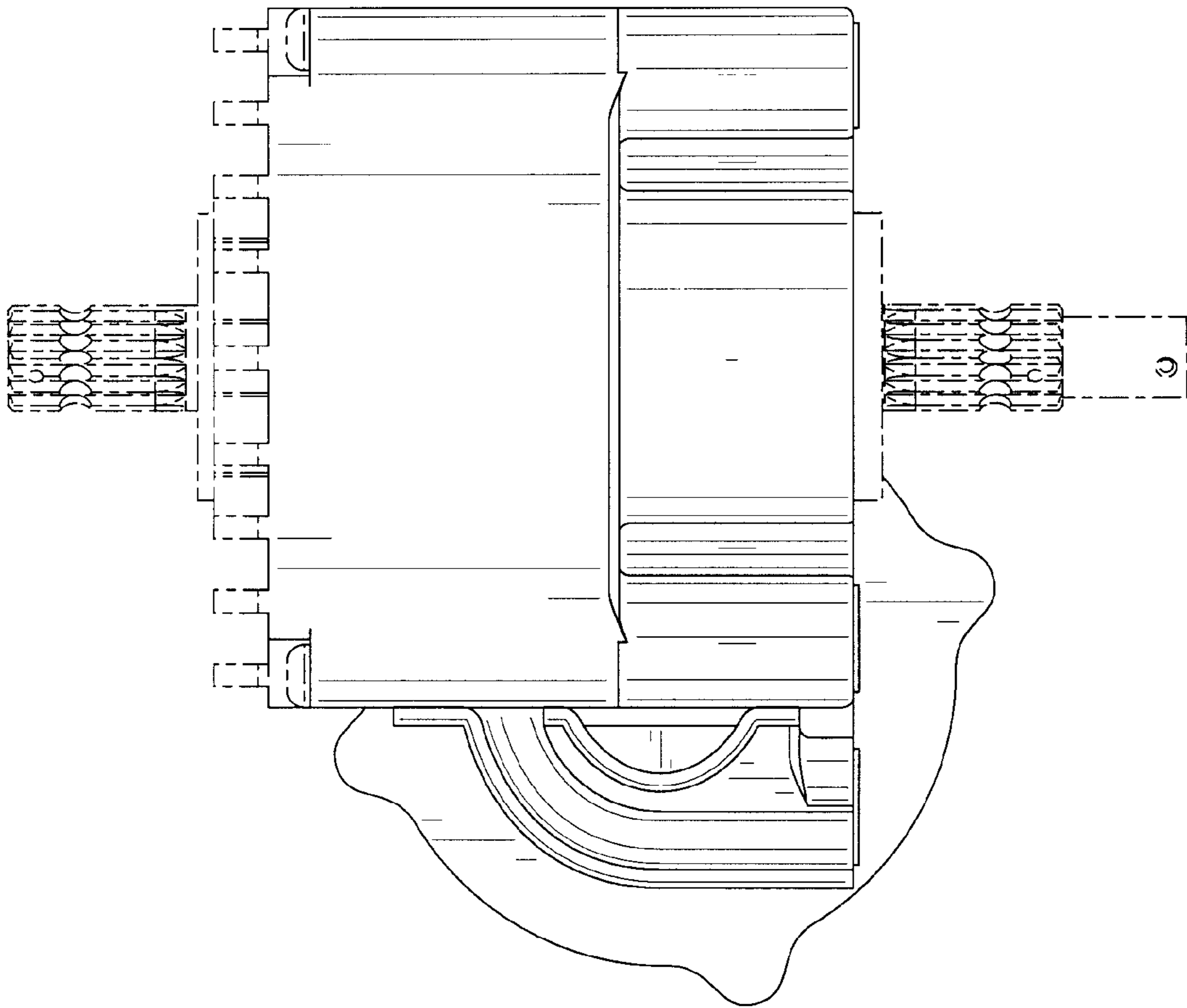


FIG. 5

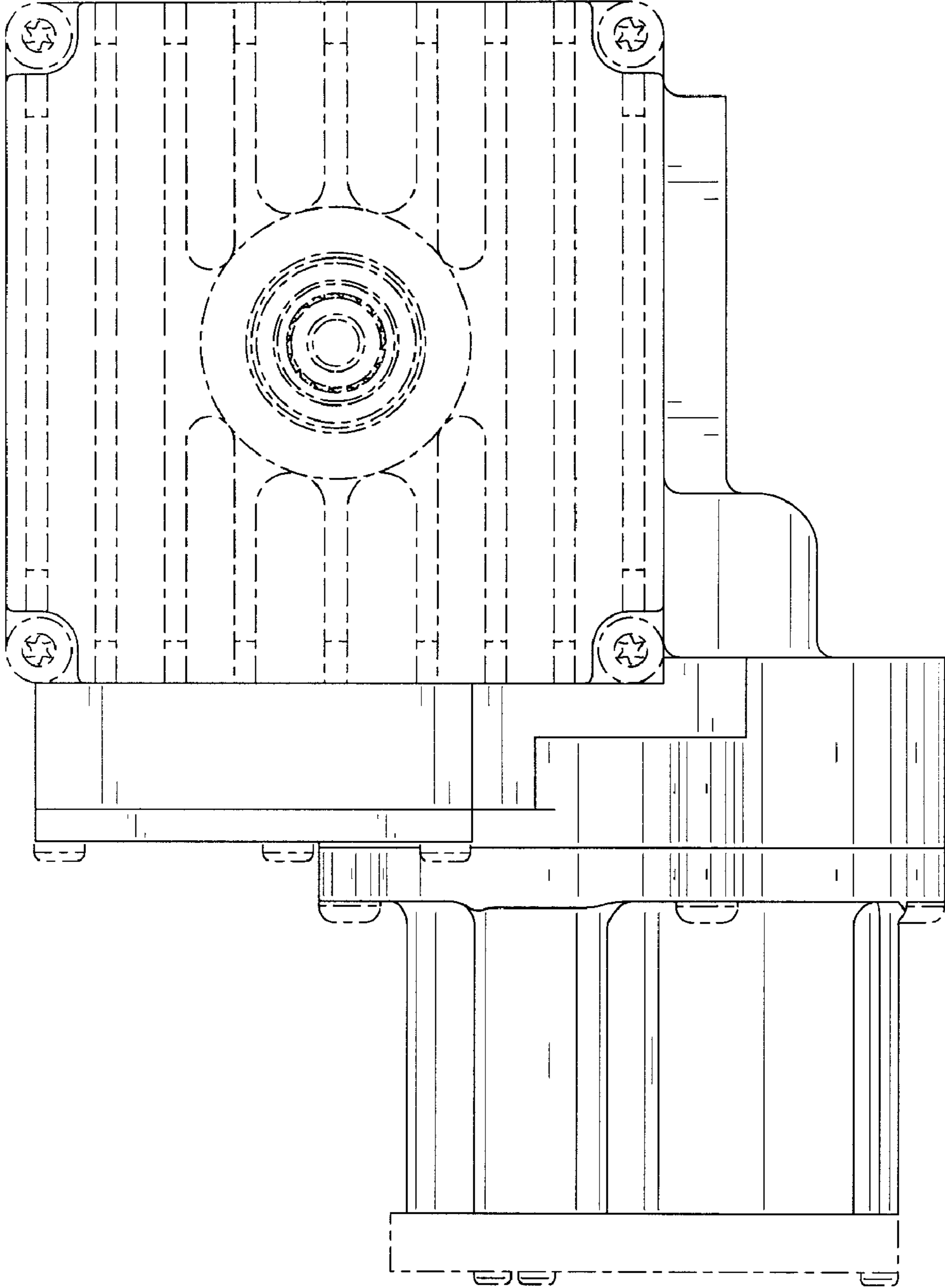


FIG. 6

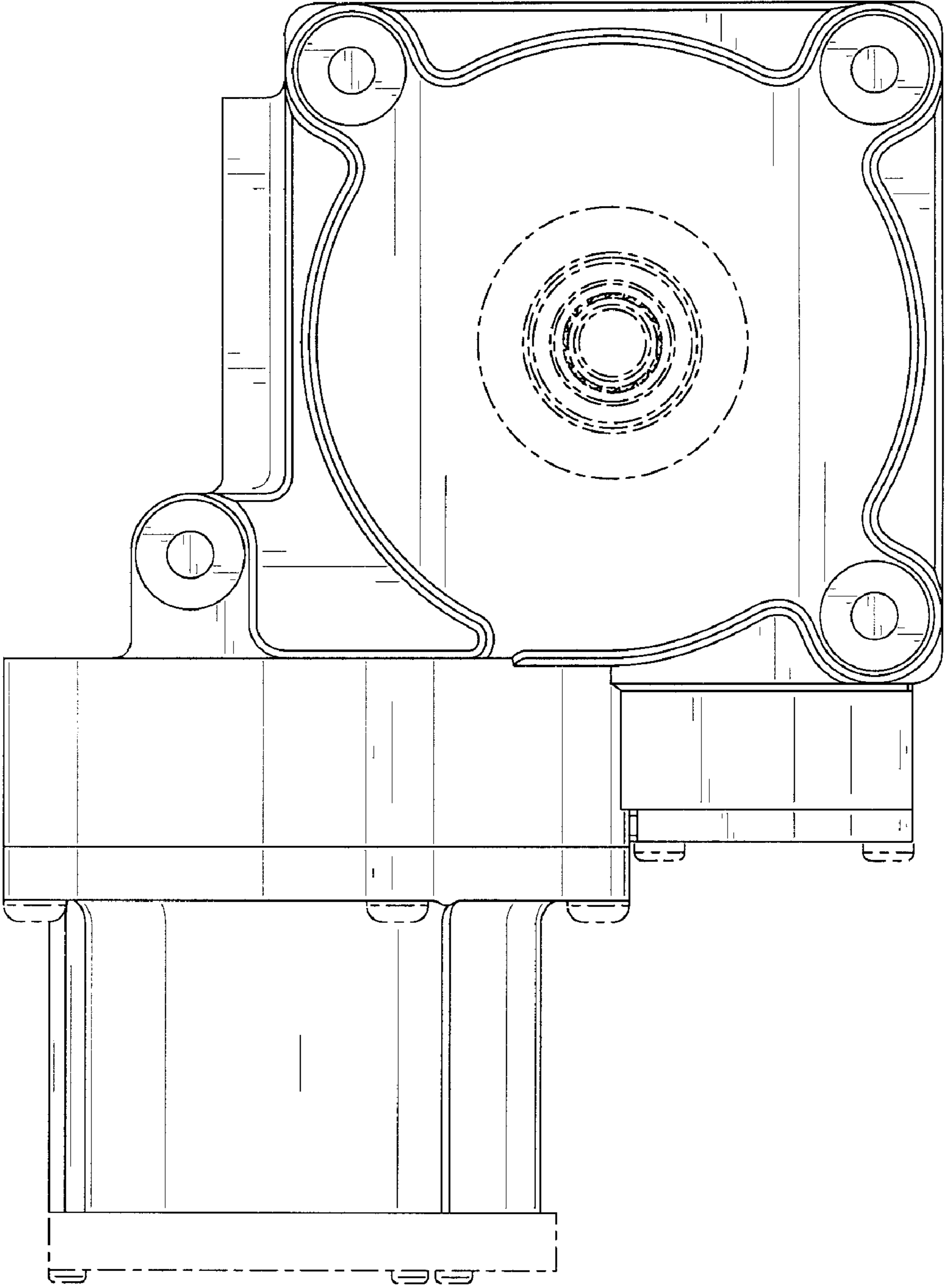


FIG. 7

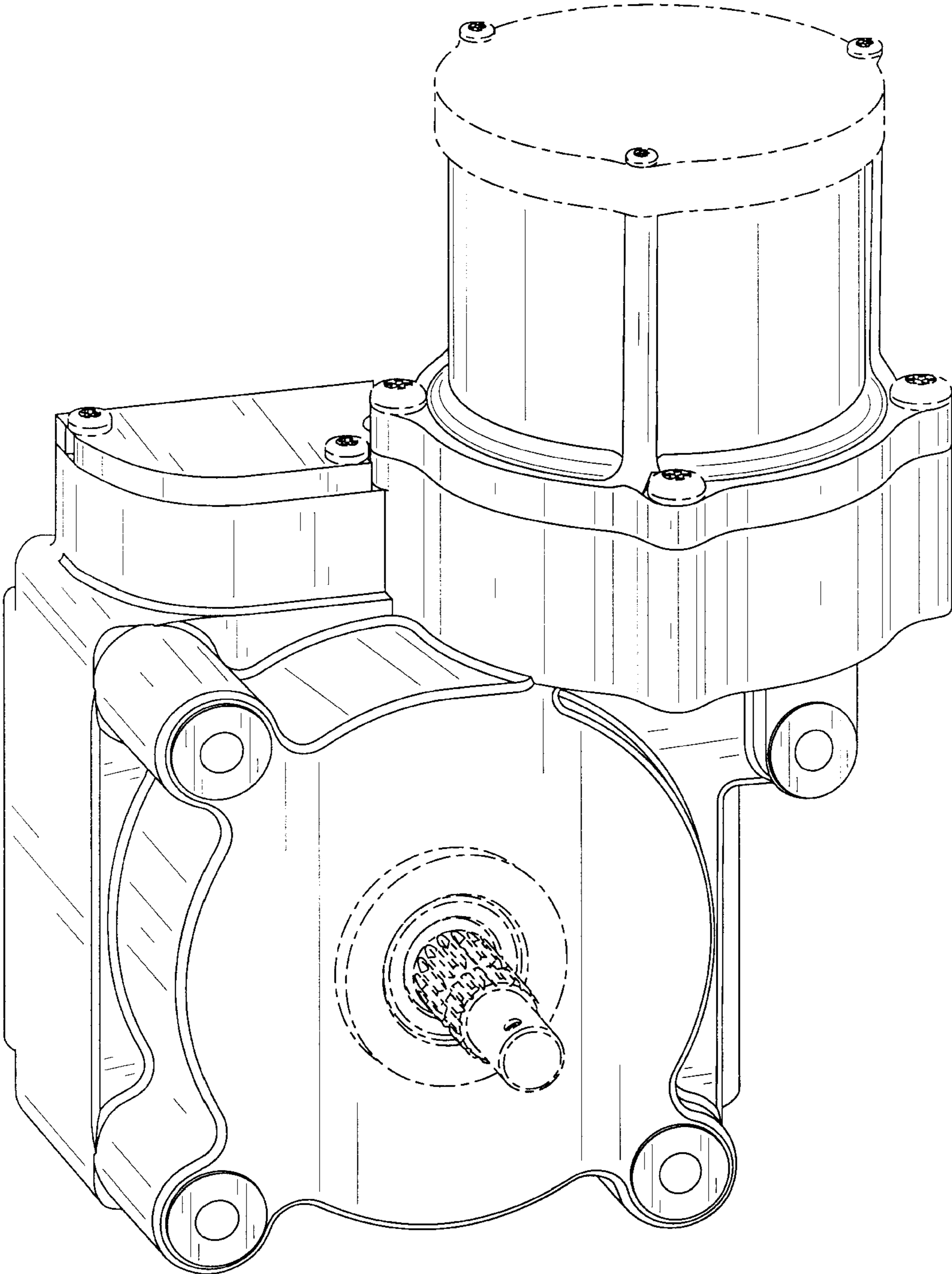


FIG. 8